



US00D603927S

(12) **United States Design Patent**
Larsson

(10) **Patent No.:** **US D603,927 S**

(45) **Date of Patent:** **** Nov. 10, 2009**

(54) **FASTENER FOR OPTICAL ARTICLES**

(75) Inventor: **Niklas Larsson, Åkarp (SE)**

(73) Assignee: **GS Development AB, Malmö (SE)**

(**) Term: **14 Years**

(21) Appl. No.: **29/278,157**

(22) Filed: **Mar. 21, 2007**

(51) **LOC (9) Cl.** **22-01**

(52) **U.S. Cl.** **D22/109**

(58) **Field of Classification Search** D22/100,
D22/108, 109, 110, 199; 42/11, 72, 75.02,
42/71.01, 85, 90, 106, 114, 113, 116, 119,
42/124, 125, 127, 145, 128; 248/201, 205.1
See application file for complete search history.

(56) **References Cited**

U.S. PATENT DOCUMENTS

D429,790 S *	8/2000	Plonka	D22/110
6,295,754 B1 *	10/2001	Otteman et al.	42/124
6,418,657 B1 *	7/2002	Brown	42/124
6,594,938 B2 *	7/2003	Horton	42/127
6,629,381 B1 *	10/2003	Keng	42/124
2003/0110675 A1 *	6/2003	Garrett et al.	42/85
2006/0026884 A1 *	2/2006	Cerovic et al.	42/84
2006/0207157 A1 *	9/2006	Keng	42/132
2006/0278797 A1 *	12/2006	Keng et al.	248/440.1
2007/0180752 A1 *	8/2007	Houde-Walter	42/114
2007/0234625 A1 *	10/2007	Kidd	42/111
2007/0266612 A1 *	11/2007	Kim	42/127
2008/0134559 A1 *	6/2008	Swan	42/90
2008/0216380 A1 *	9/2008	Teetzel	42/127

* cited by examiner

Primary Examiner—T. Chase Nelson

Assistant Examiner—Michael A Pratt

(74) *Attorney, Agent, or Firm*—Thomas, Kayden,
Horstemeyer & Risley, LLP; Todd Deveau

(57) **CLAIM**

The ornamental design for a fastener for optical articles, as shown and described.

DESCRIPTION

FIG. 1 is a perspective top view of my new fastener for optical articles;

FIG. 2 is a perspective top view of my new fastener for optical articles from the end opposite that of FIG. 1;

FIG. 3 is a side elevational view of my new fastener for optical articles;

FIG. 4 is a side elevational view of my new fastener for optical articles from the side opposite that of FIG. 3;

FIG. 5 is an end view of my new fastener for optical articles from the end appearing at the left side of FIG. 1;

FIG. 6 is an end view of my new fastener for optical articles from the end appearing at the left side of FIG. 2;

FIG. 7 is a top plan view thereof; and,

FIG. 8 is a bottom plan view thereof.

The broken line showing of the four circular elements each depicted in FIG. 8 by two concentric circles is for the purpose of illustrating environmental structure and forms no part of the claimed design.

1 Claim, 8 Drawing Sheets

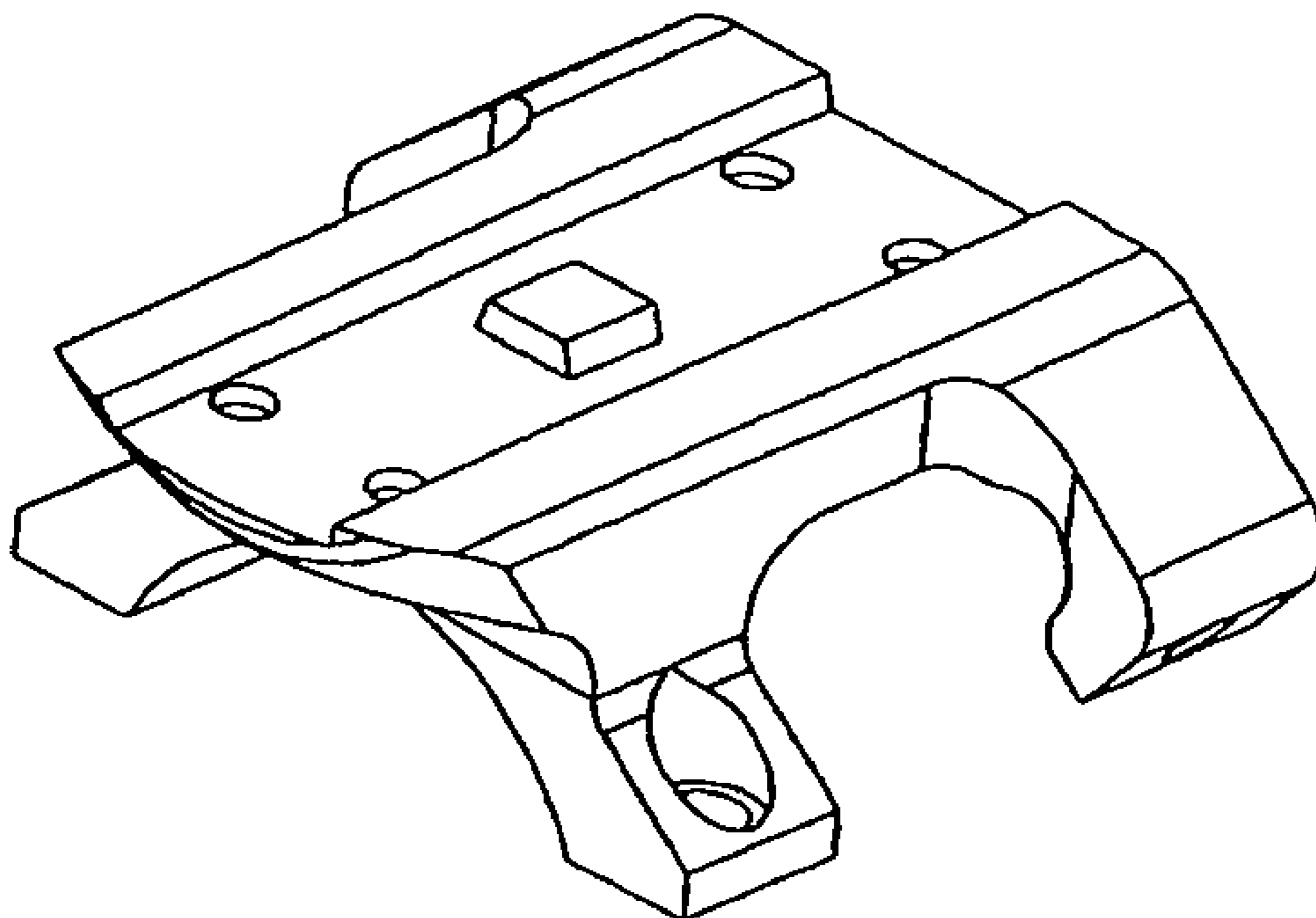


FIG. 1

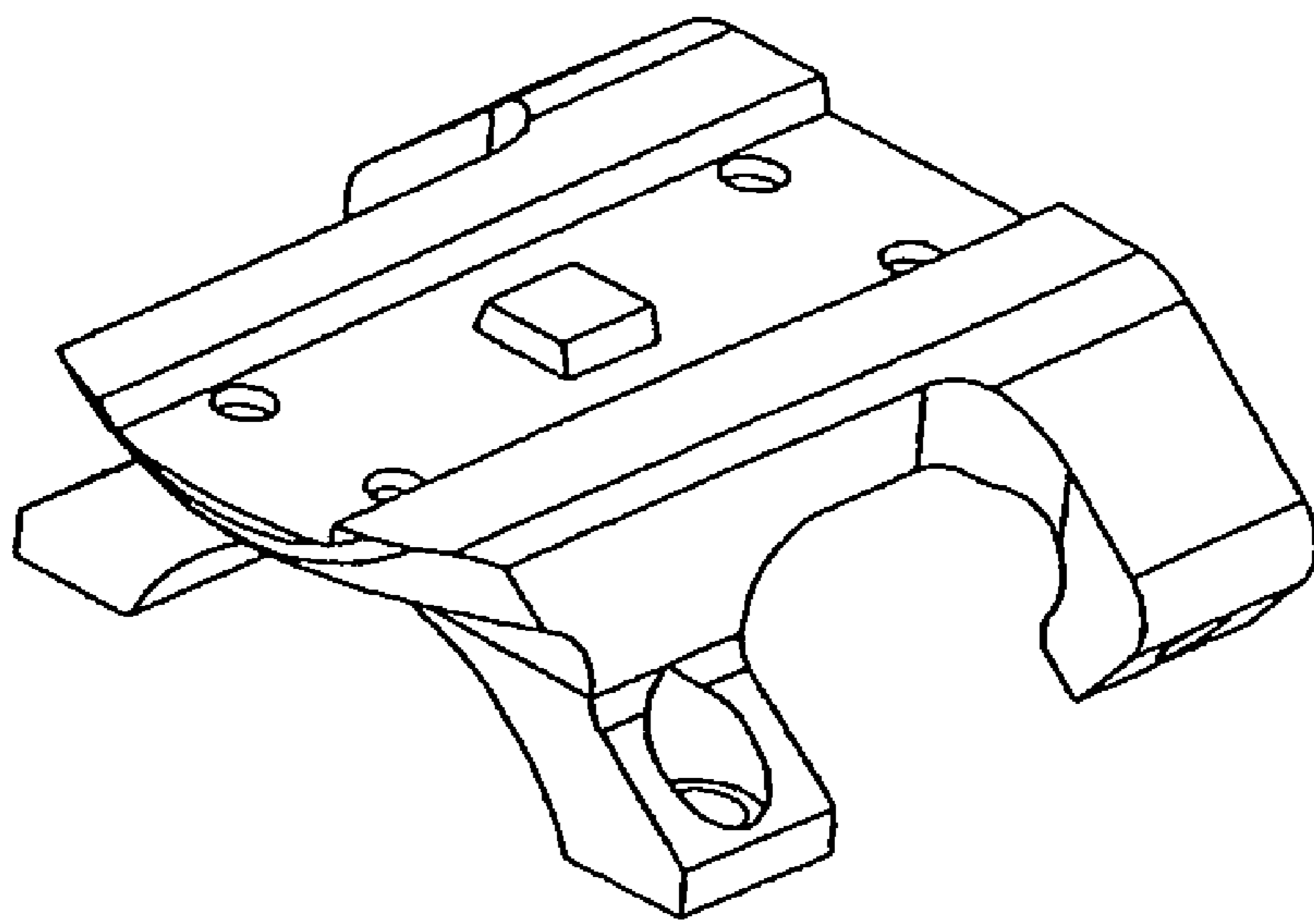


FIG. 2

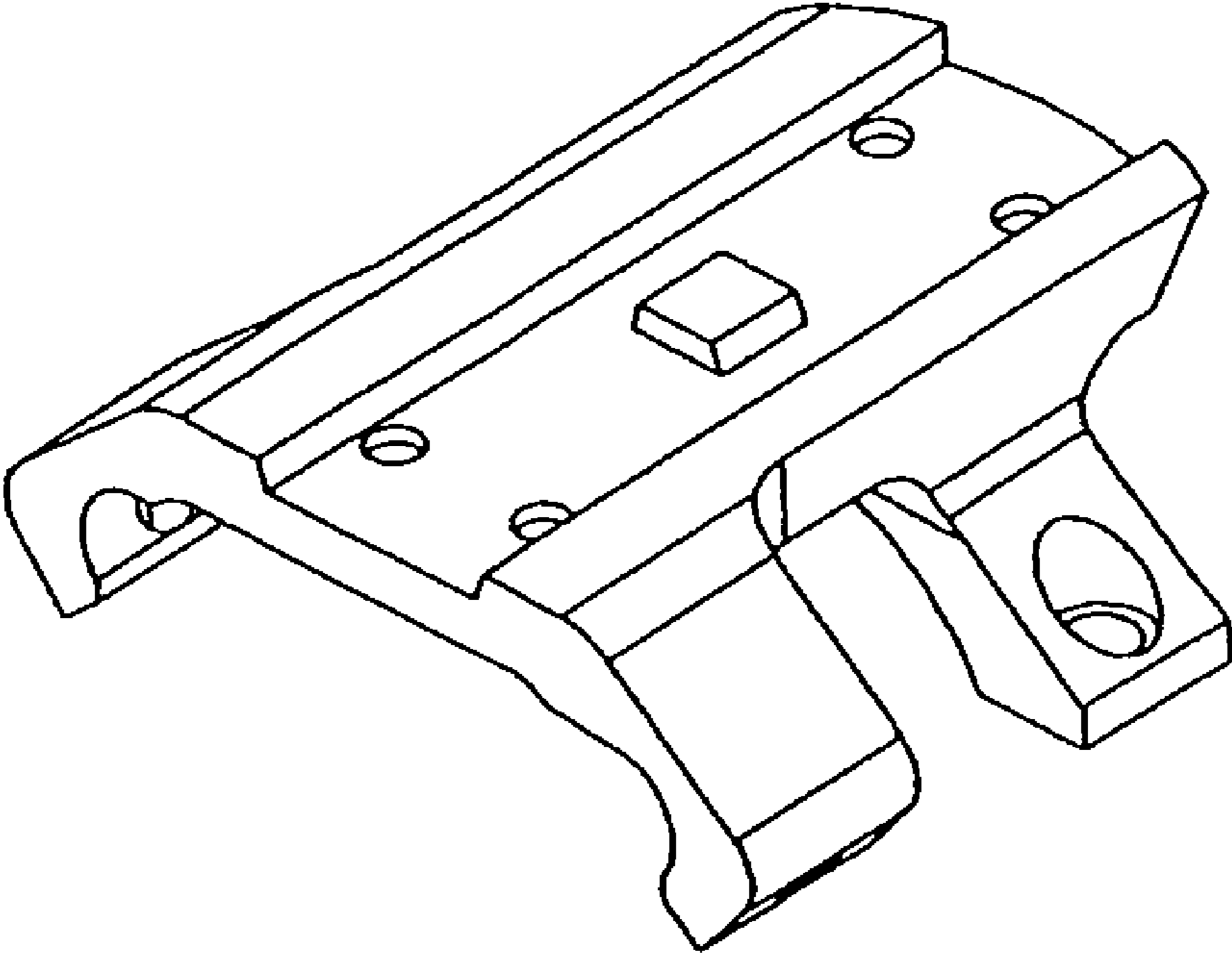


FIG. 3

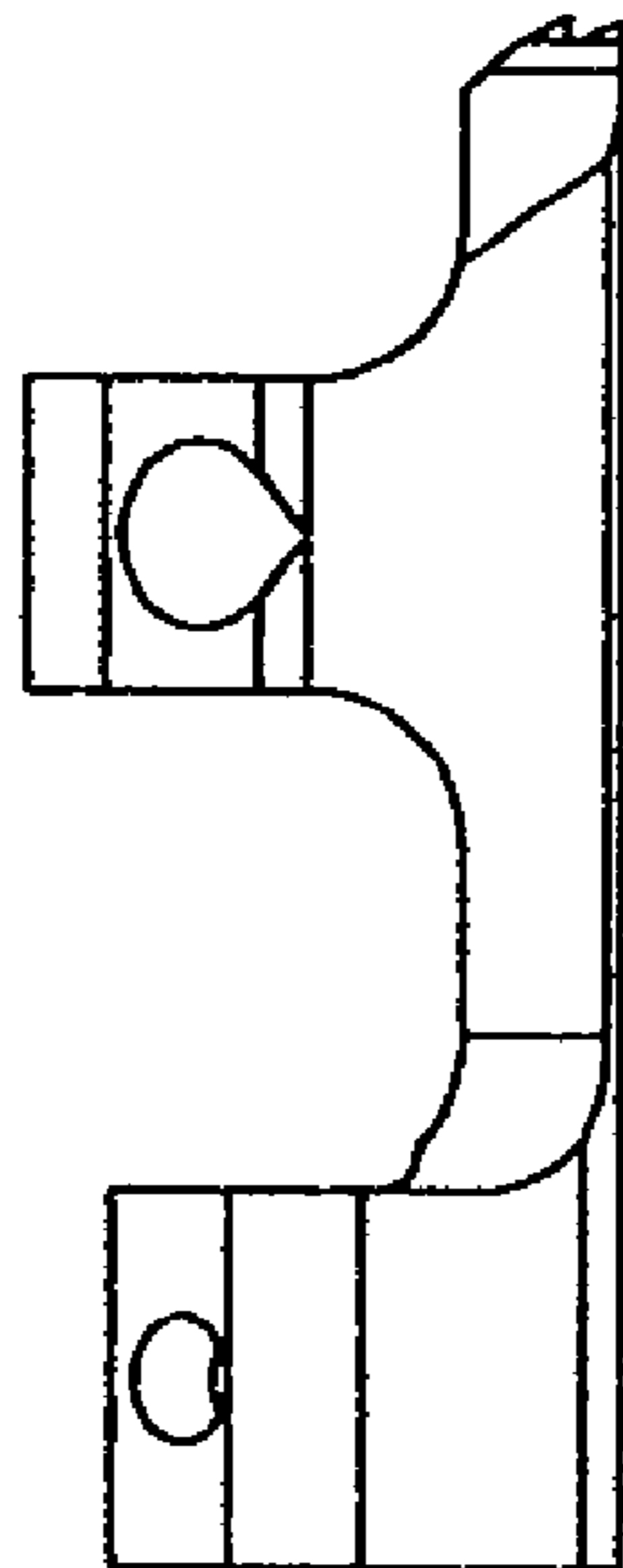


FIG. 4

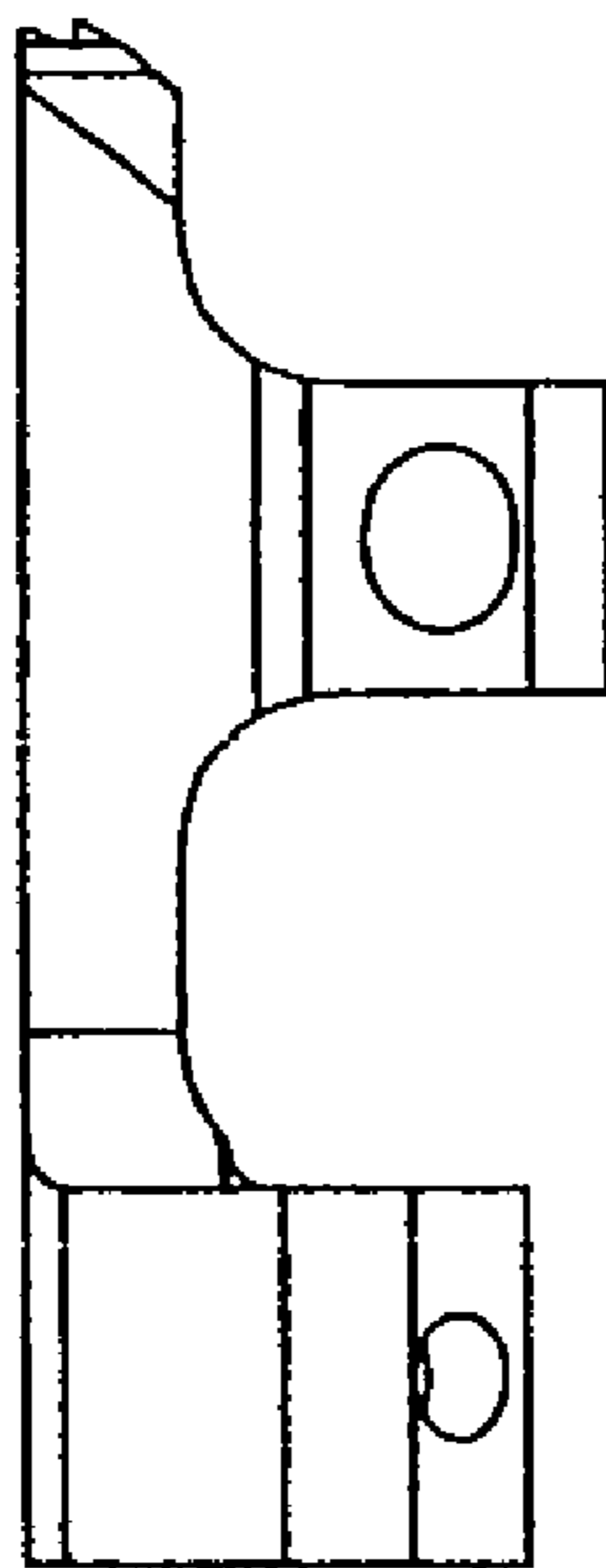


FIG. 5

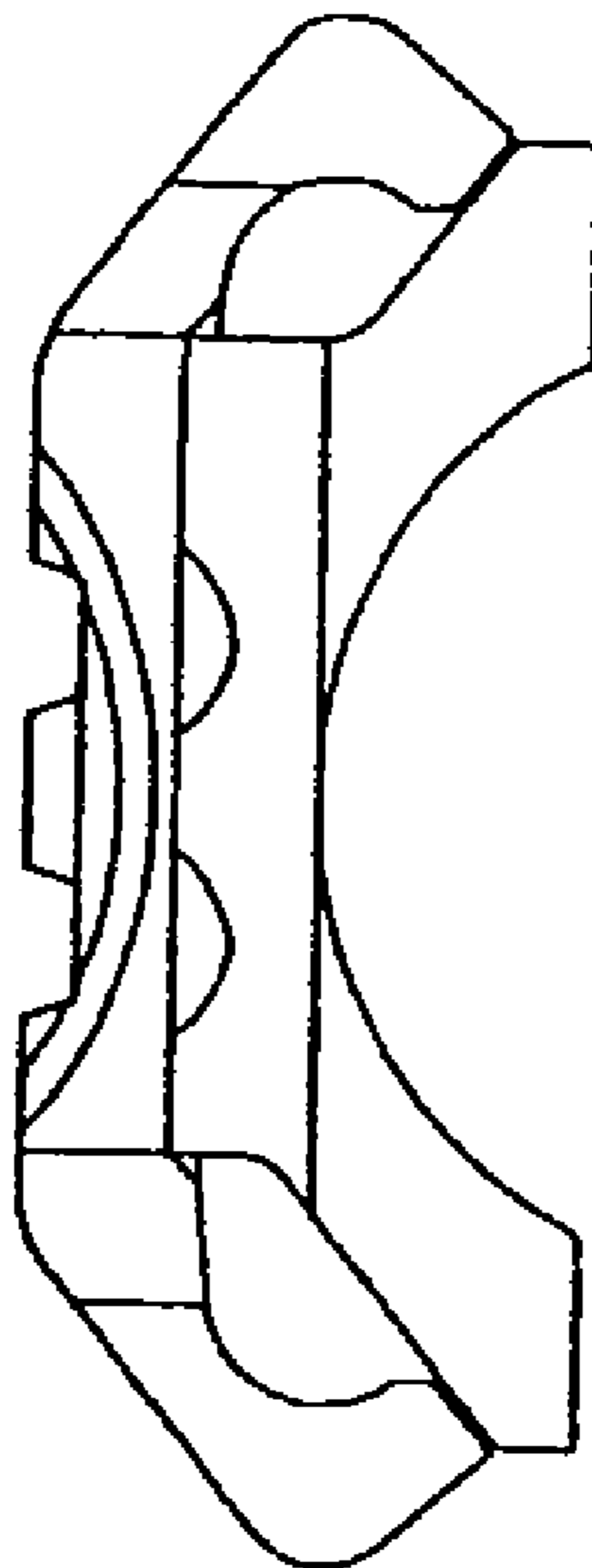


FIG. 6

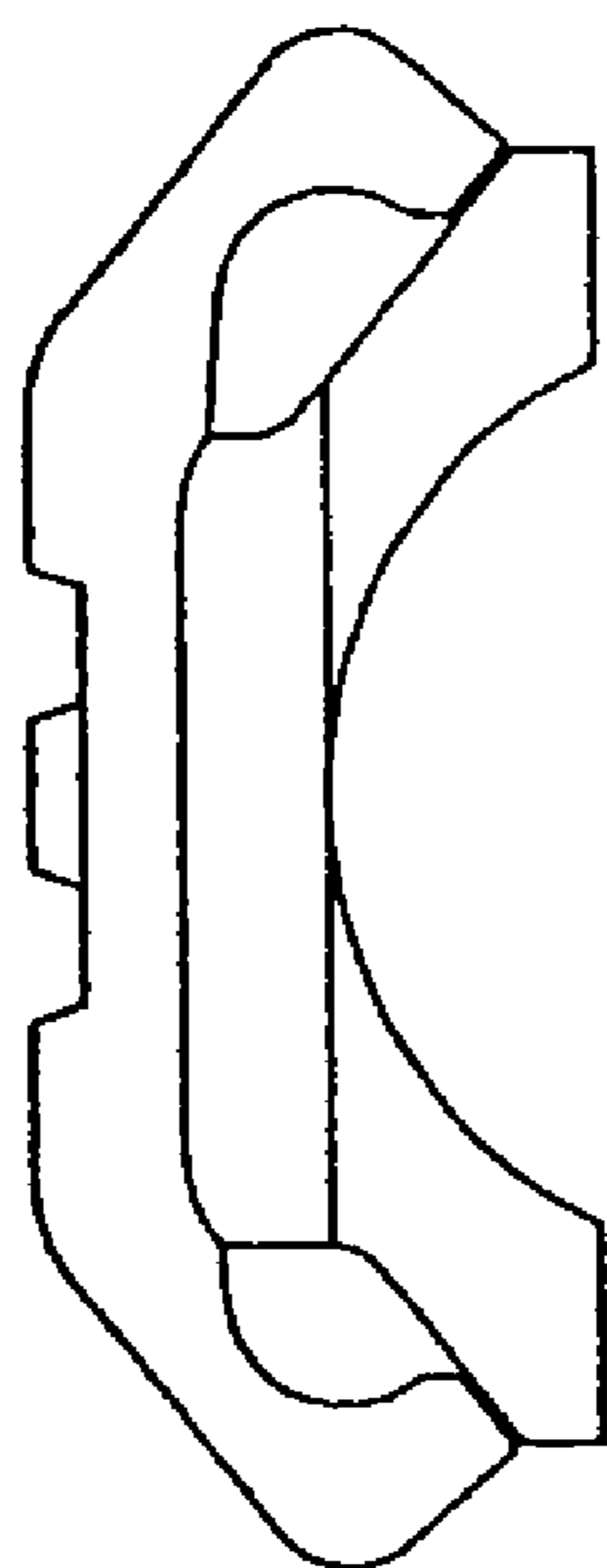
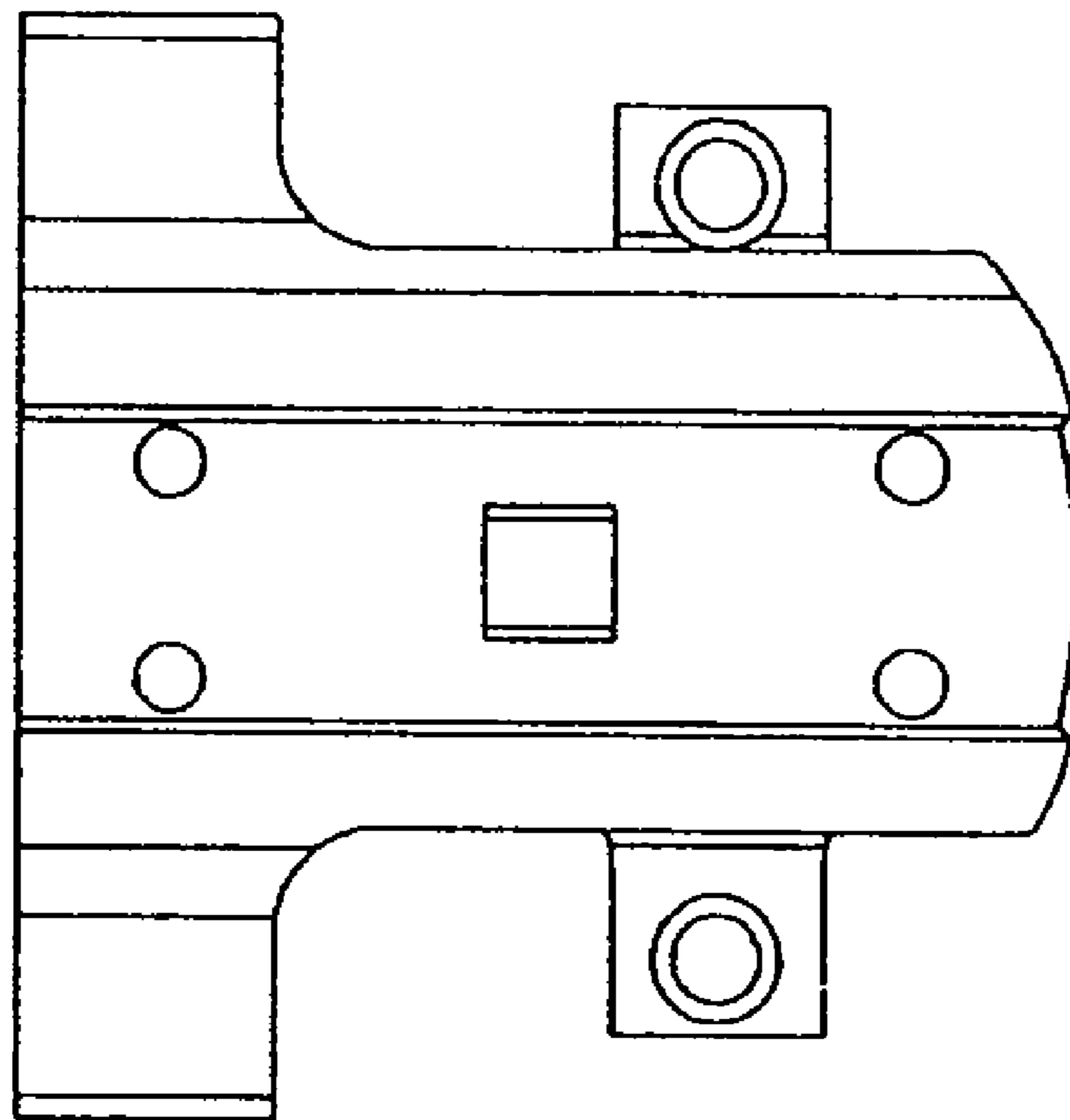


FIG. 7



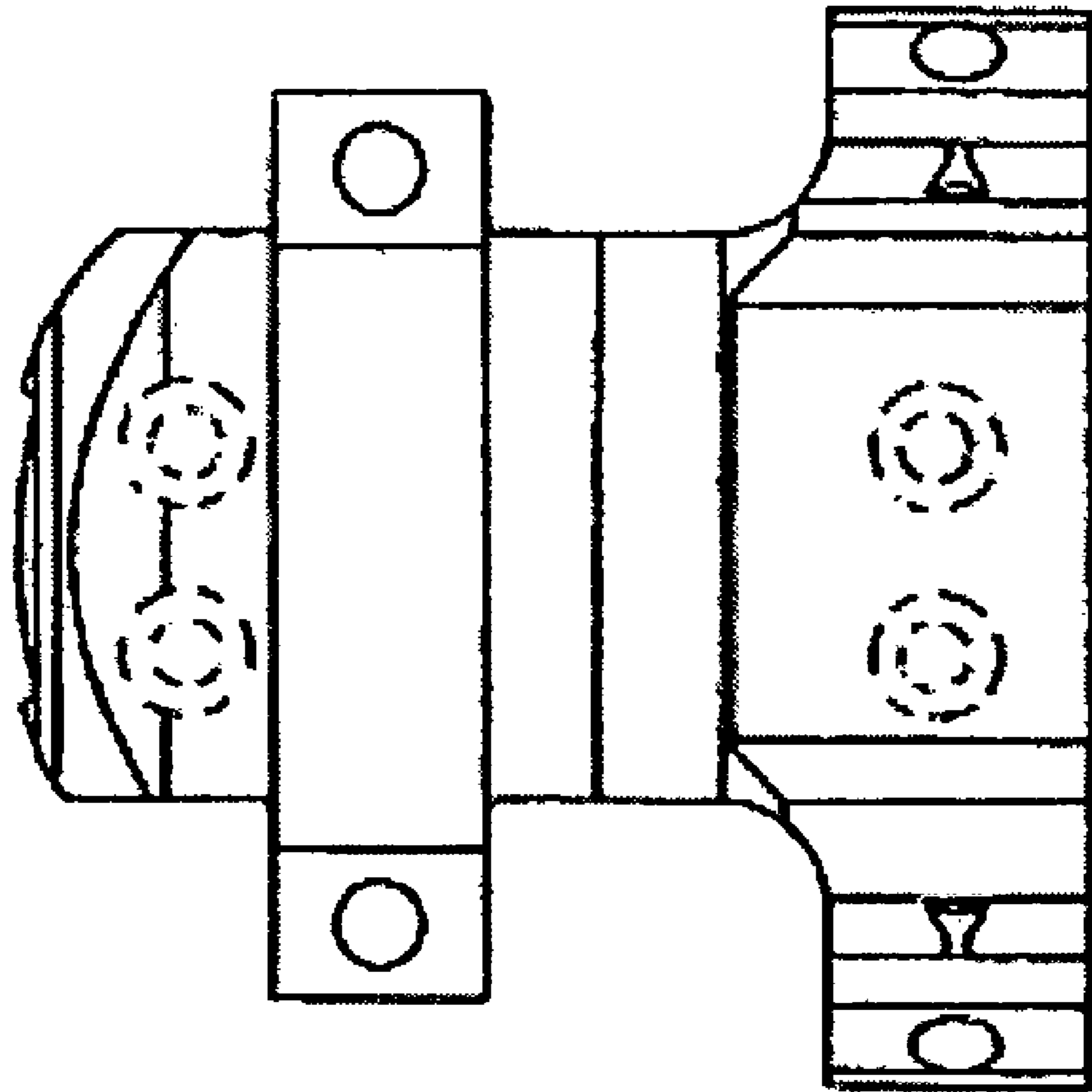


FIG. 8