



US00D603923S

(12) **United States Design Patent**
Llewellyn et al.

(10) **Patent No.:** **US D603,923 S**

(45) **Date of Patent:** **** Nov. 10, 2009**

(54) **BACK DESIGN FOR AN IRON GOLF CLUB HEAD**

(75) Inventors: **David Llewellyn**, Duluth, GA (US);
Mamoru Saraie, Osaka (JP); **Kazuhiro Doi**, Gifu-pref (JP)

(73) Assignee: **Mizuno USA, Inc.**, Norcross, GA (US)

(**) Term: **14 Years**

(21) Appl. No.: **29/330,015**

(22) Filed: **Dec. 25, 2008**

(51) **LOC (9) Cl.** **21-02**

(52) **U.S. Cl.** **D21/759**

(58) **Field of Classification Search** D21/747-751,
D21/759; 473/324-331, 350

See application file for complete search history.

(56) **References Cited**

U.S. PATENT DOCUMENTS

D359,540 S *	6/1995	Allen	D21/748
D382,616 S *	8/1997	Heffley	D21/749
D476,708 S *	7/2003	Wahl et al.	D21/747
D489,106 S *	4/2004	Wahl et al.	D21/749
D591,808 S *	5/2009	Clausen et al.	D21/747

* cited by examiner

Primary Examiner—Mitchell I Siegel

(74) *Attorney, Agent, or Firm*—Troutman Sanders LLP;
James H. Yancey, Jr.; Filip Kowalewski

(57) **CLAIM**

The ornamental design for a back design for an iron golf club head, as shown and described.

DESCRIPTION

FIG. 1 illustrates a rear view of a new design of an iron golf club head depicting a cavity formed in a rear face of the golf

club and an internal cavity including a raised section disposed within the cavity;

FIG. 2 is a side elevational view of the design shown in FIG. 1 depicting a cavity formed in a rear face of the golf club and an internal cavity including a raised section disposed within the cavity;

FIG. 3 is a top perspective view of the design shown in FIG. 1 depicting a cavity formed in a rear face of the golf club and an internal cavity including a raised section disposed within the cavity;

FIG. 4 is another top-side elevational view of the design shown in FIG. 1 depicting a cavity formed in a rear face of the golf club and an internal cavity including a raised section disposed within the cavity;

FIG. 5 is an angled perspective view of the design shown in FIG. 1 depicting a cavity formed in a rear face of the golf club and an internal cavity including a raised section disposed within the cavity;

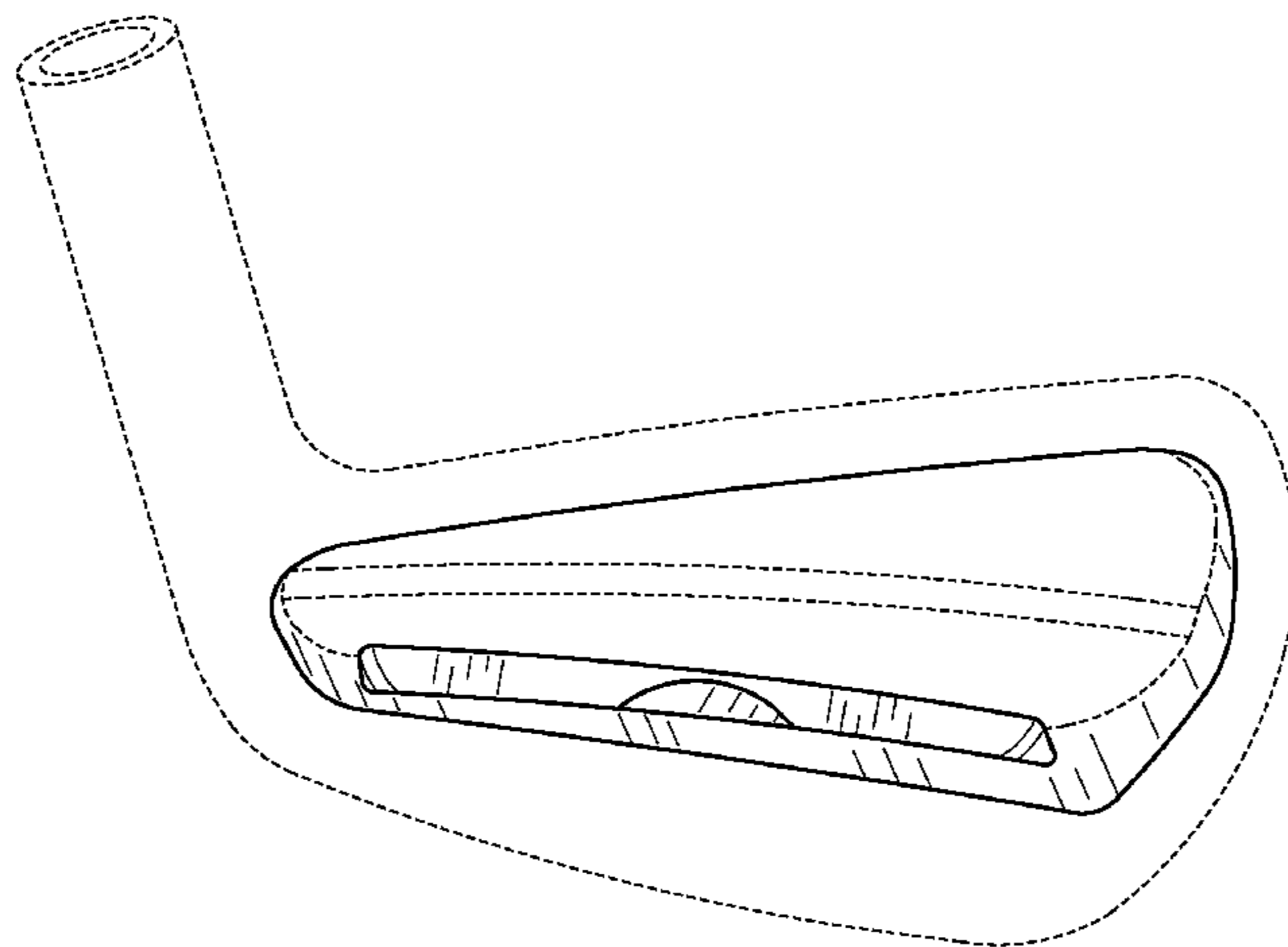
FIG. 6 is another angled perspective view depicting a cavity formed in a rear face of the golf club and an internal cavity including a raised section disposed within the cavity;

FIG. 7 is another top side perspective view depicting a cavity formed in a rear face of the golf club and an internal cavity including a raised section disposed within the cavity; and,

FIG. 8 is a perspective view taken from the toe of design shown in FIG. 1 depicting a cavity formed in a rear face of the golf club and an internal cavity including a raised section disposed within the cavity.

The broken, dashed lines shown in the various figures depicting embodiments of the invention are included for the purpose of illustrating context and do not form any part of the claimed design. In some embodiments, however, the broken, dashed lines may be present in an iron golf club head.

1 Claim, 4 Drawing Sheets



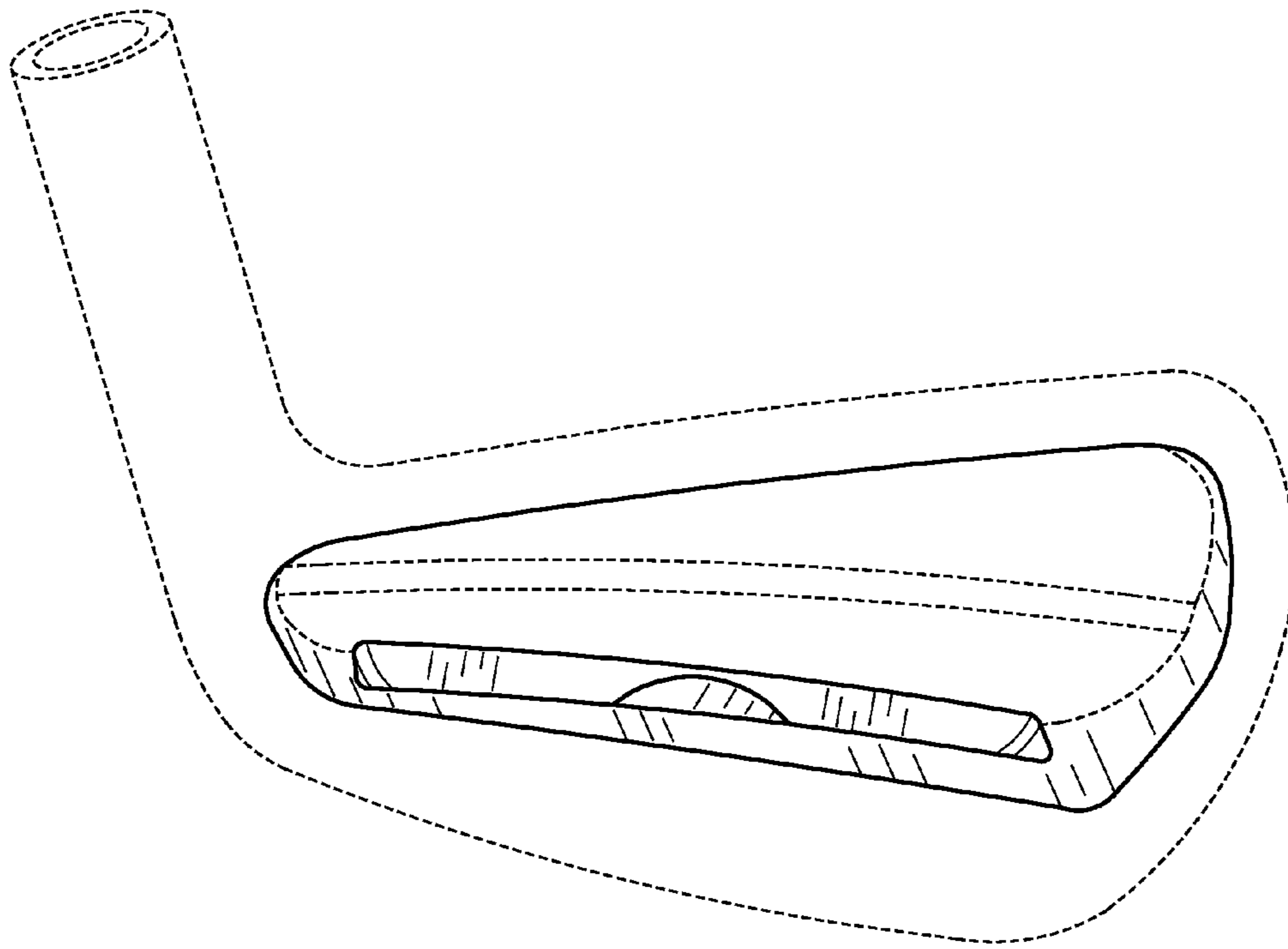


Fig. 1

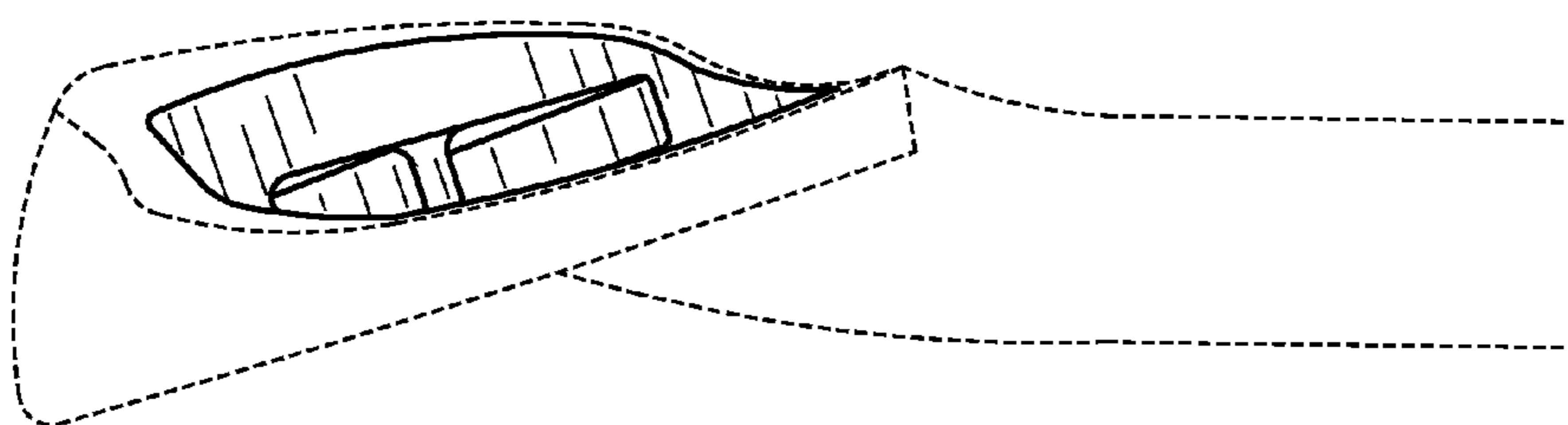


Fig. 2

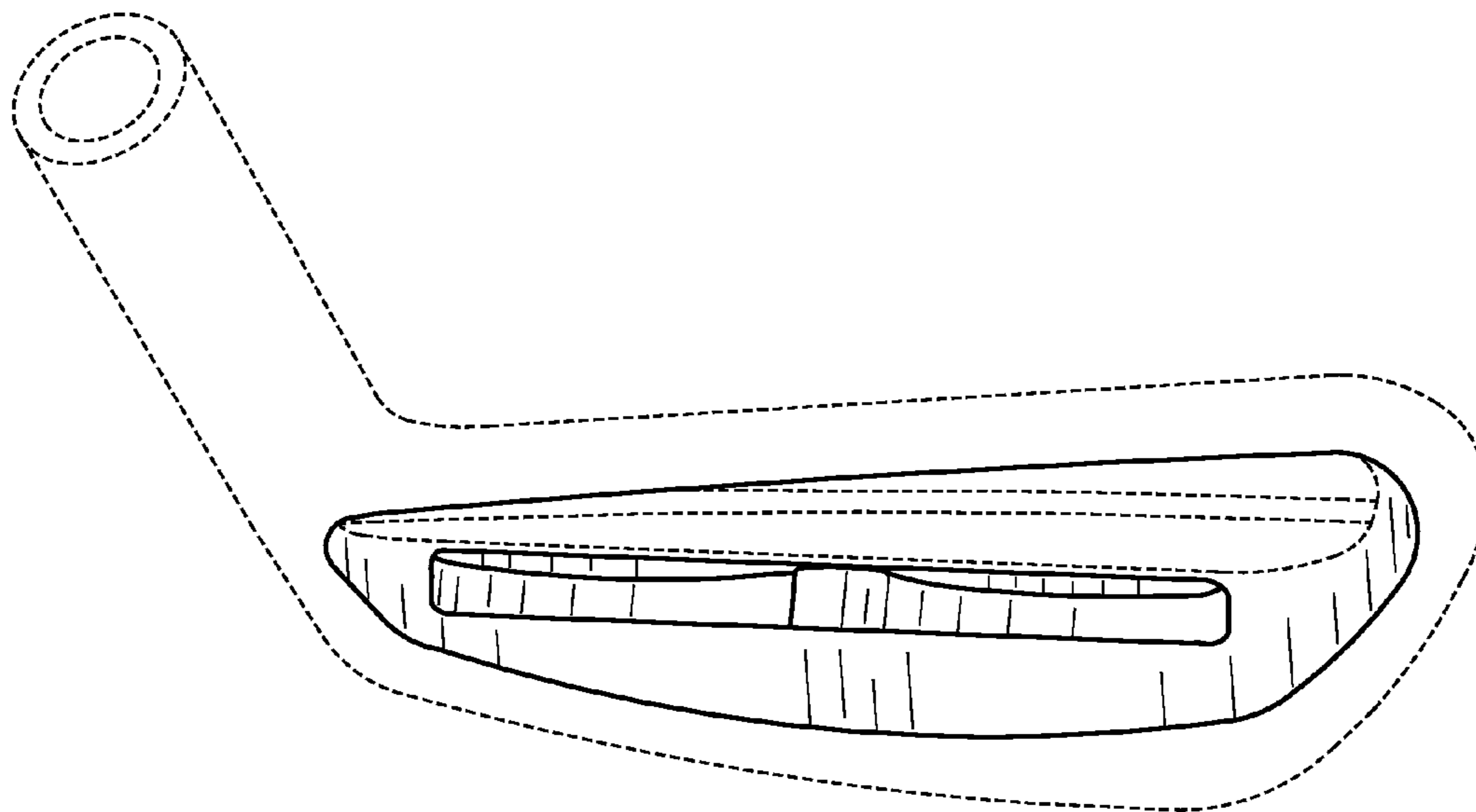


Fig. 3

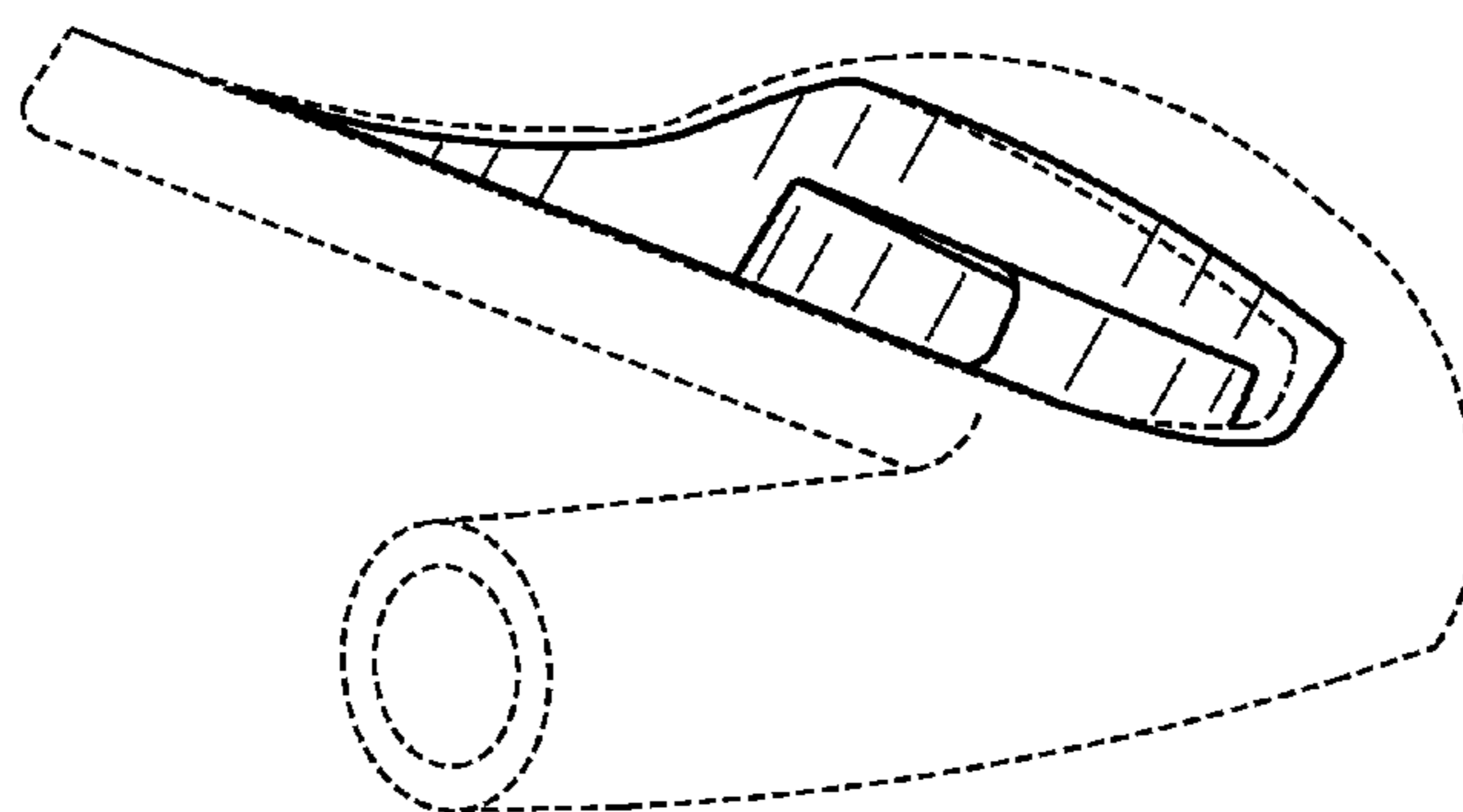


Fig. 4

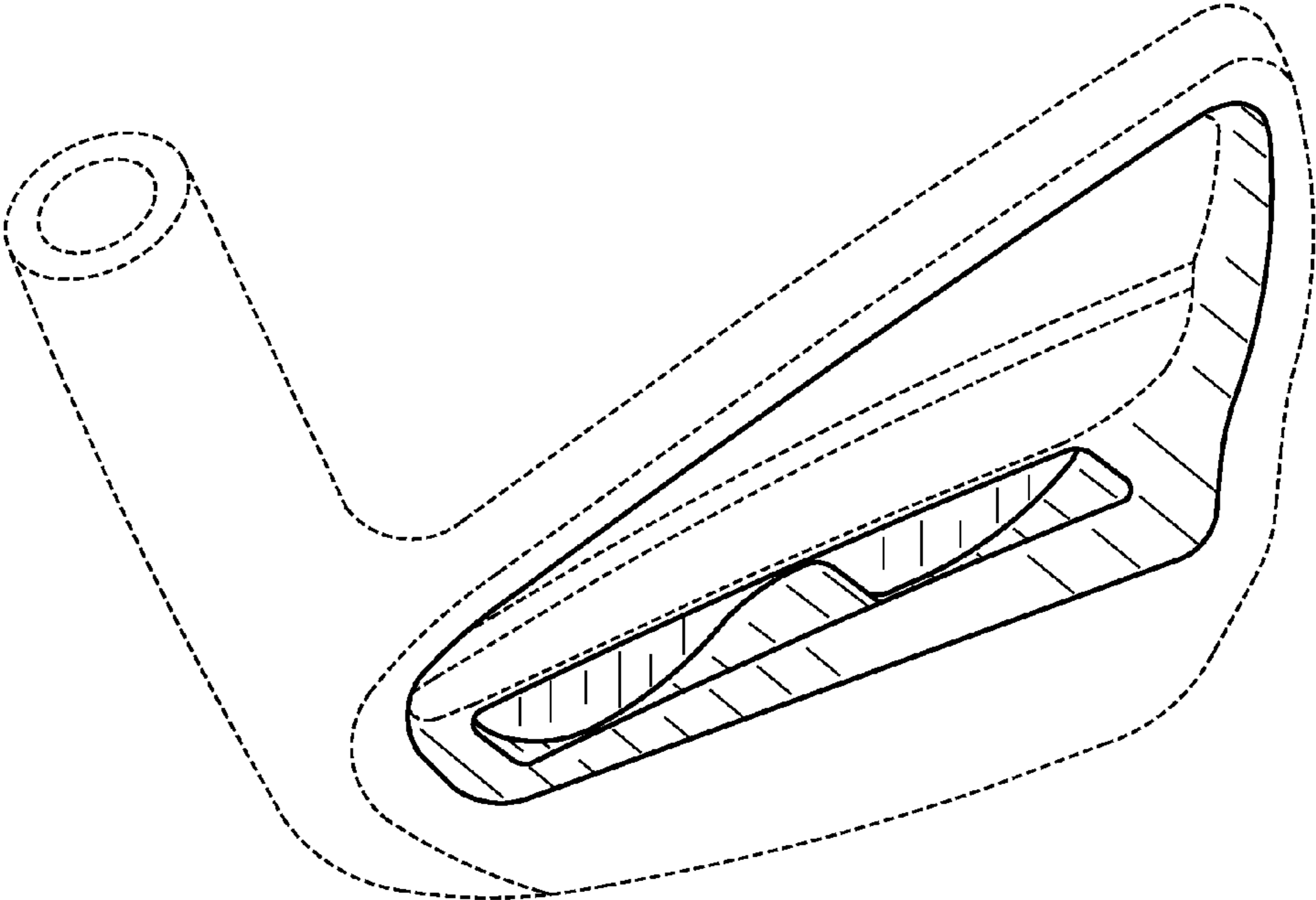


Fig. 5

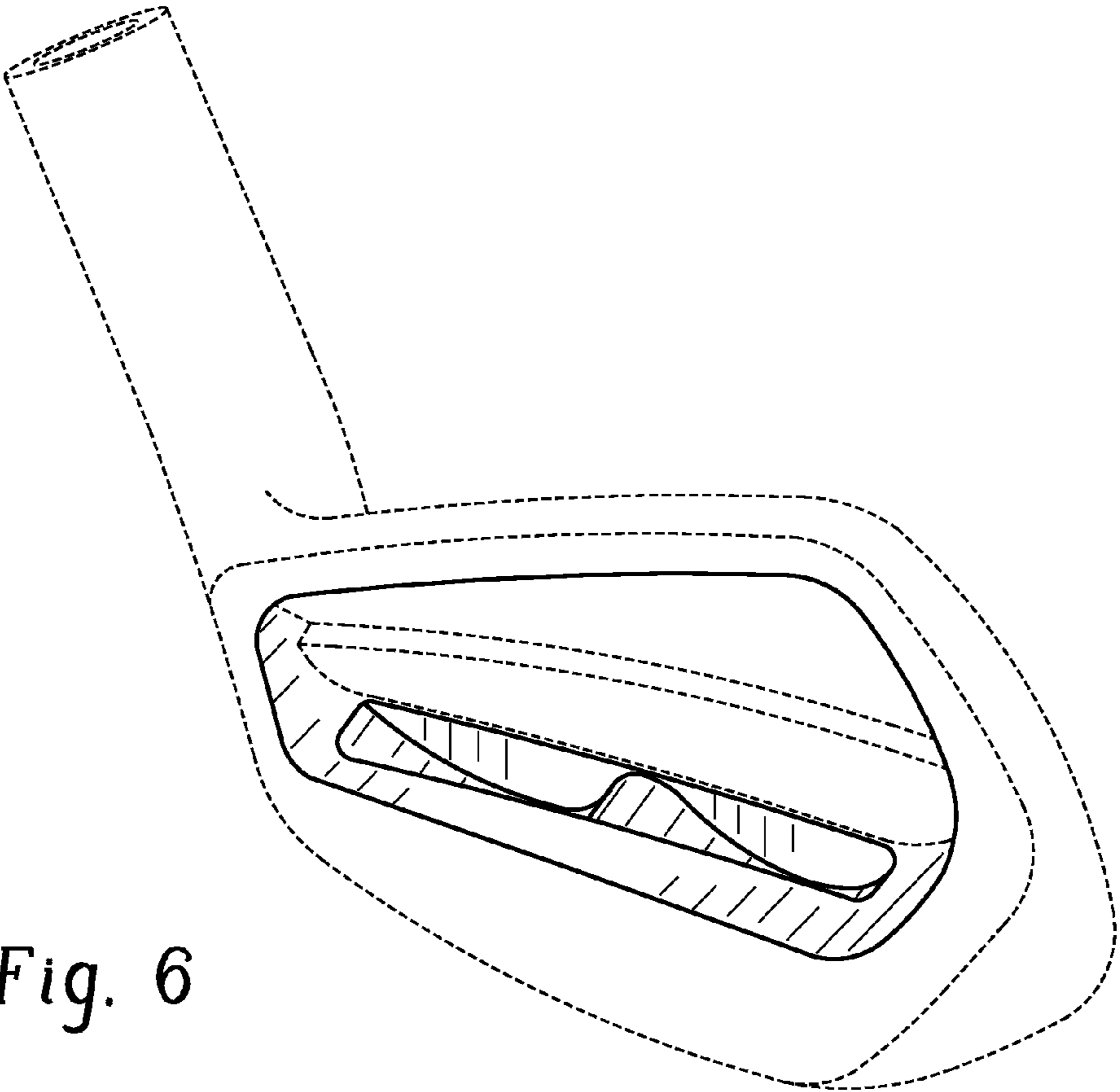


Fig. 6



Fig. 7

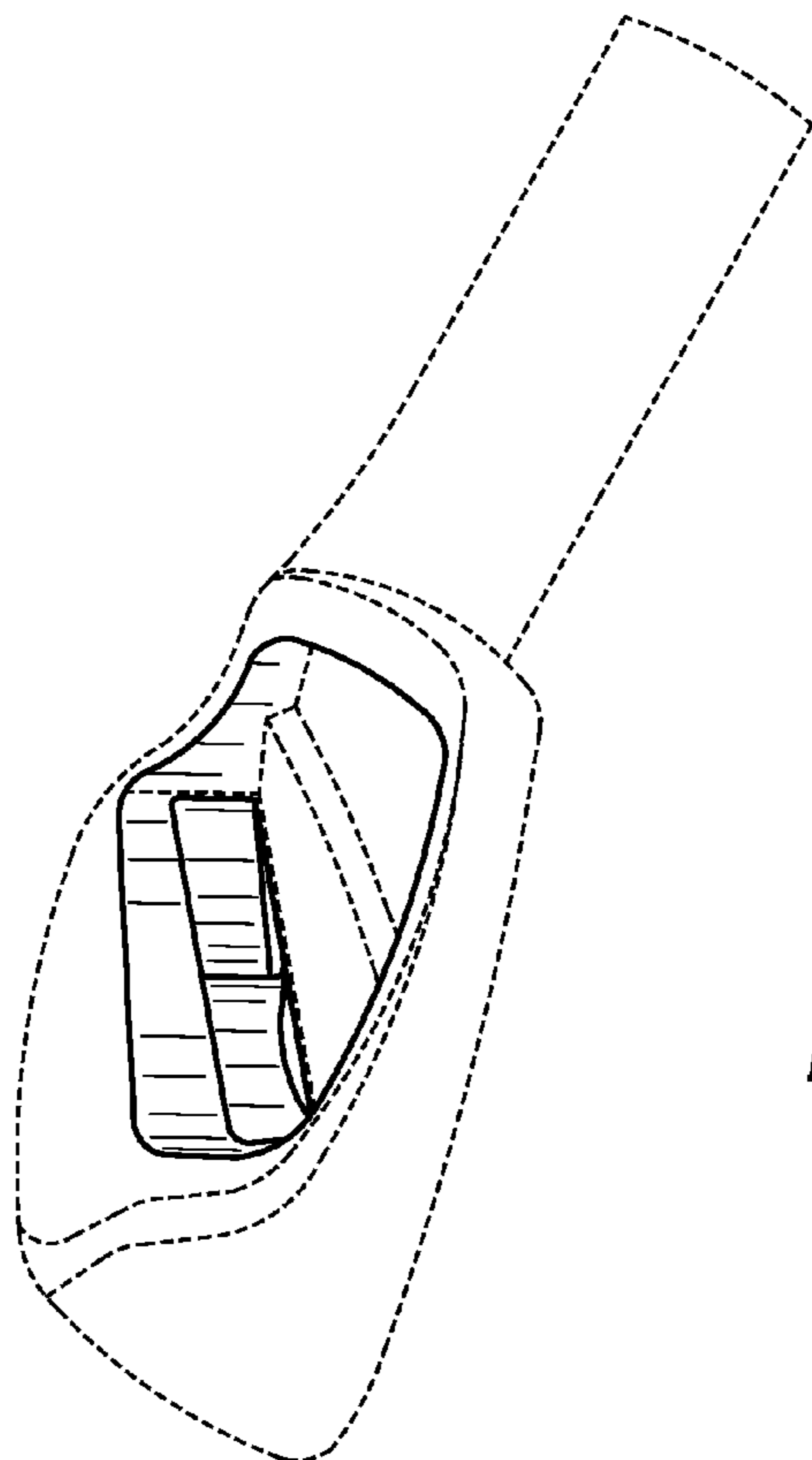


Fig. 8