



US00D603922S

(12) **United States Design Patent**
Meier et al.

(10) **Patent No.:** **US D603,922 S**

(45) **Date of Patent:** **** Nov. 10, 2009**

(54) **ALIGNMENT FEATURES FOR GOLF PUTTERS**

(75) Inventors: **Douglas Eugene Meier**, Golden, CO (US); **Keith Timothy Decker**, Grand Junction, CO (US); **Donald Michael Ligrani, Jr.**, Fruita, CO (US)

(73) Assignee: **DDK, LLC**, Lakewood, CO (US)

(**) Term: **14 Years**

(21) Appl. No.: **29/329,211**

(22) Filed: **Dec. 10, 2008**

(51) **LOC (9) Cl.** **21-02**

(52) **U.S. Cl.** **D21/759**

(58) **Field of Classification Search** D21/736–746,
D21/753, 759; 473/324–331, 340–341, 251–256
See application file for complete search history.

(56) **References Cited**

U.S. PATENT DOCUMENTS

4,136,877	A	1/1979	Antonious	
4,343,472	A	8/1982	Hamilton	
D323,688	S *	2/1992	Whitney	D21/741
D329,889	S	9/1992	Scott	
5,431,401	A	7/1995	Smith	
5,536,012	A	7/1996	D'Amico	
D410,055	S *	5/1999	Loop	D21/736
5,921,868	A	7/1999	DiMartino	
6,062,986	A	5/2000	Kaise	
6,261,190	B1	7/2001	Ashcraft	
6,379,259	B1	4/2002	Opie	
6,723,002	B1	4/2004	Barlow	
6,793,588	B2	9/2004	Tang et al.	
6,846,245	B2	1/2005	Baron	
7,014,566	B1	3/2006	Norvise	

7,052,409	B2	5/2006	Goldsmith	
D526,373	S *	8/2006	Brown	D21/759
D532,846	S *	11/2006	Lee et al.	D21/736
D538,865	S *	3/2007	Cameron	D21/736
D549,292	S *	8/2007	Meier et al.	D21/743
D559,930	S *	1/2008	Cameron	D21/746
D581,477	S *	11/2008	Burdick	D21/759
D583,887	S *	12/2008	Cameron	D21/743
D585,511	S *	1/2009	Cameron	D21/743
2004/0266542	A1	12/2004	Goldsmith	
2004/0266543	A1	12/2004	Goldsmith	
2005/0059506	A1	3/2005	Yamamoto	
2006/0030420	A1	2/2006	Roake	
2006/0068928	A1	3/2006	Nagy	
2006/0166755	A1 *	7/2006	Brown	473/251

* cited by examiner

Primary Examiner—Mitchell I Siegel

(74) *Attorney, Agent, or Firm*—Dorr, Carson & Birney, P.C.

(57) **CLAIM**

The ornamental design for an alignment feature for golf putters, as shown and described.

DESCRIPTION

FIG. 1 is a rear perspective view of an alignment feature for golf putters showing our new design.

FIG. 2 is another perspective view thereof.

FIG. 3 is a top plan view of the alignment feature showing our new design.

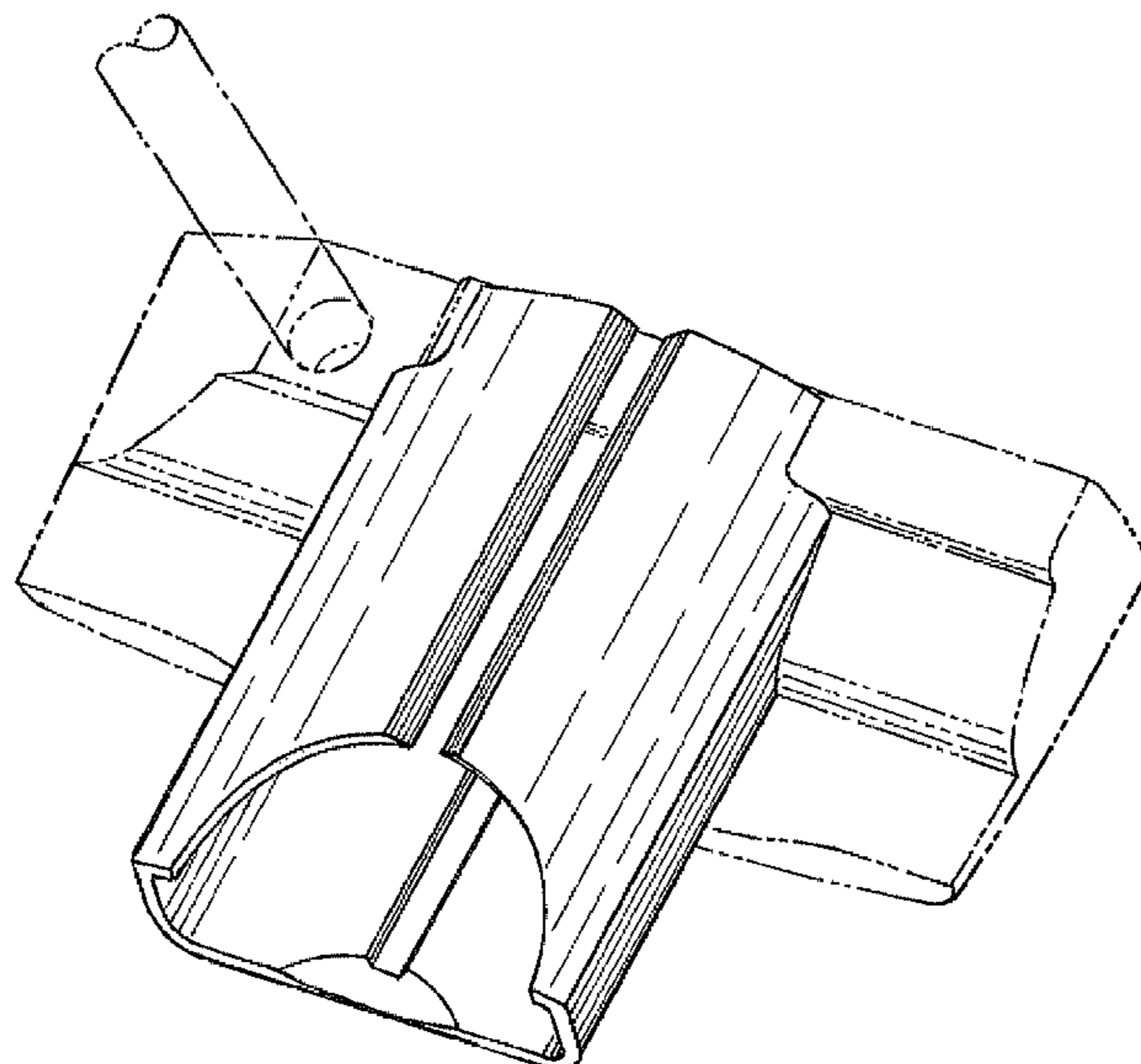
FIG. 4 is a right side elevational view thereof, with the left side elevational view being a mirror image of FIG. 4.

FIG. 5 is a front elevational view thereof.

FIG. 6 is a rear elevational view thereof; and,

FIG. 7 is a bottom plan view thereof.

1 Claim, 3 Drawing Sheets



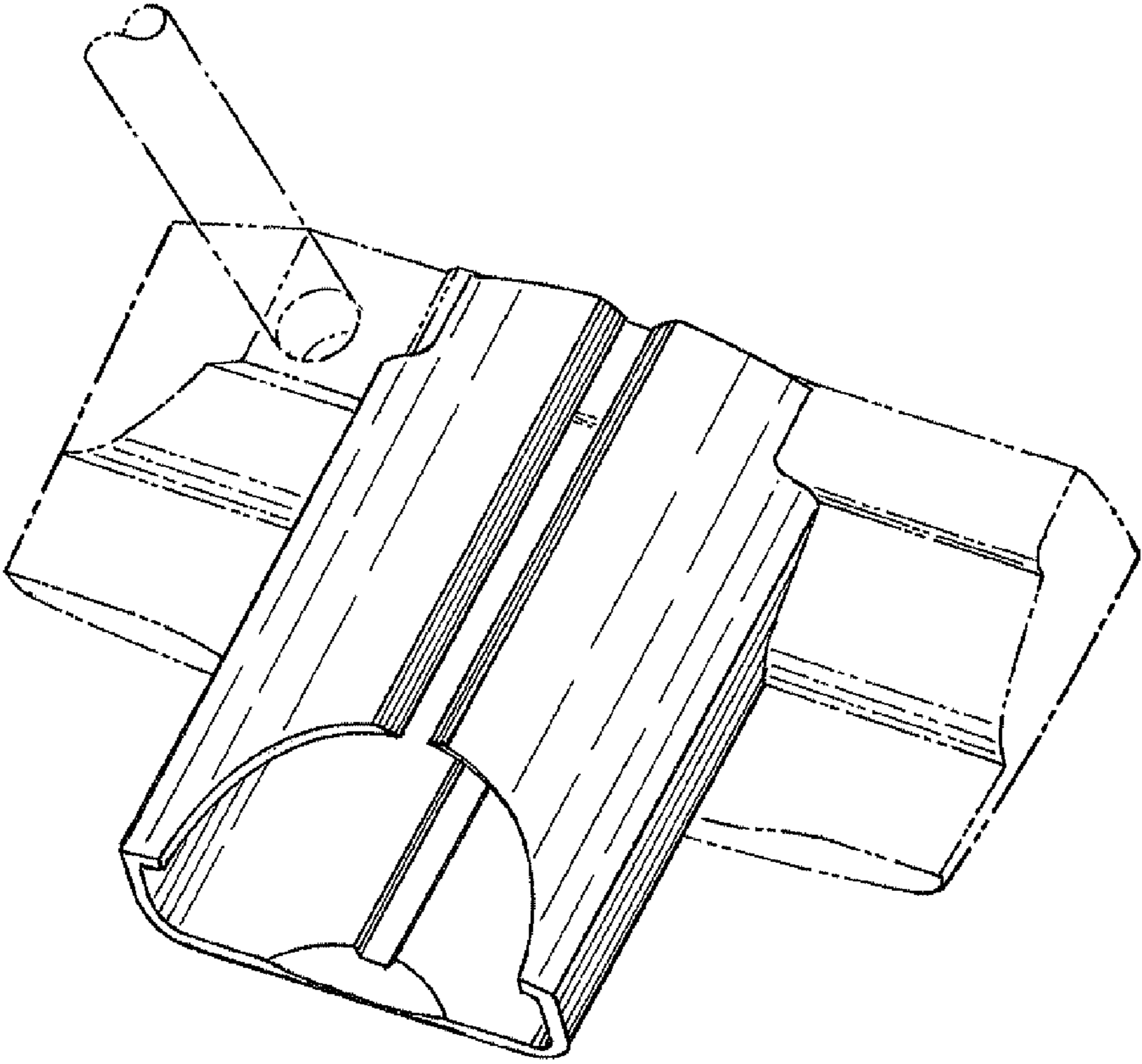


Fig. 1

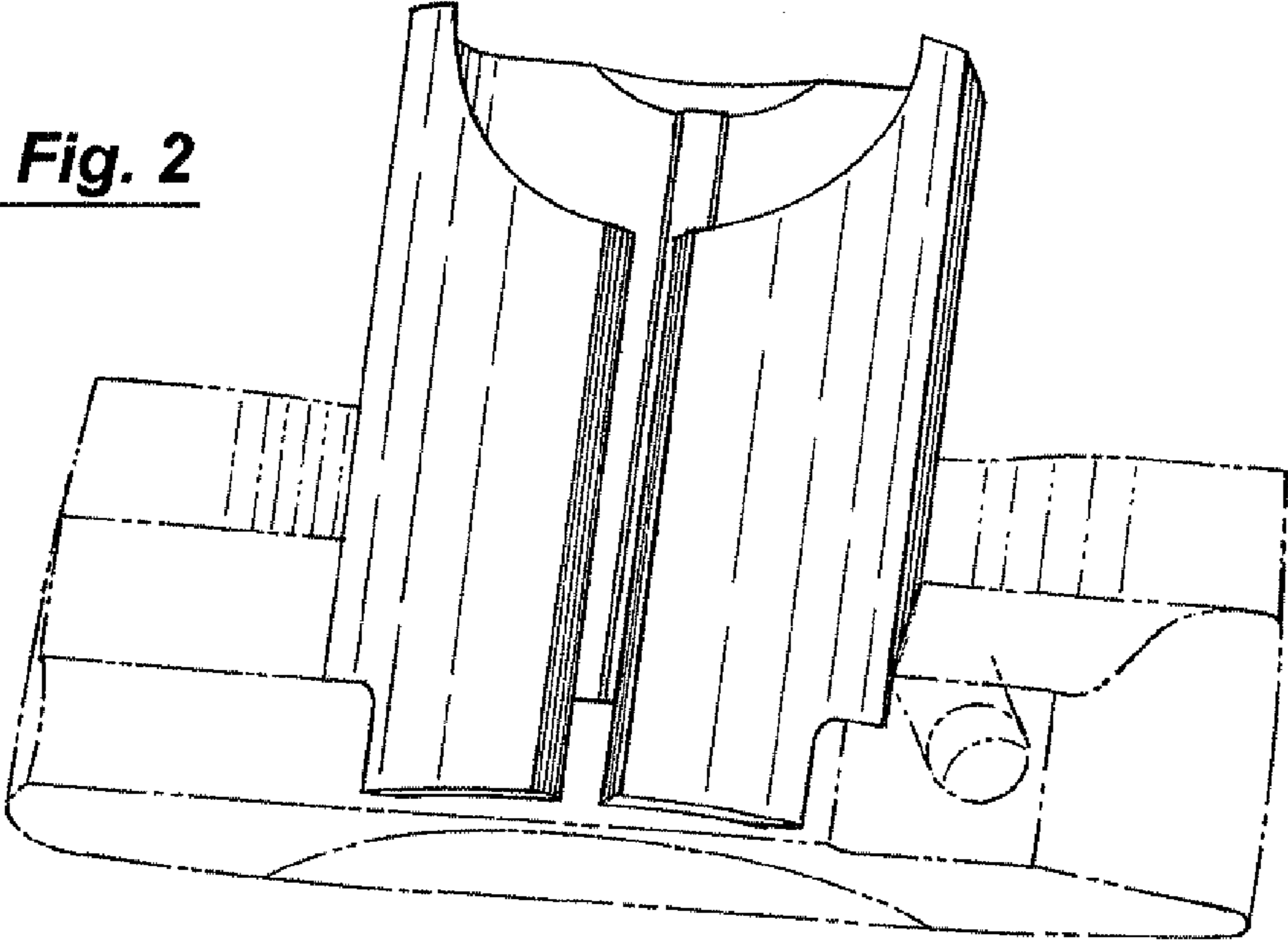


Fig. 2

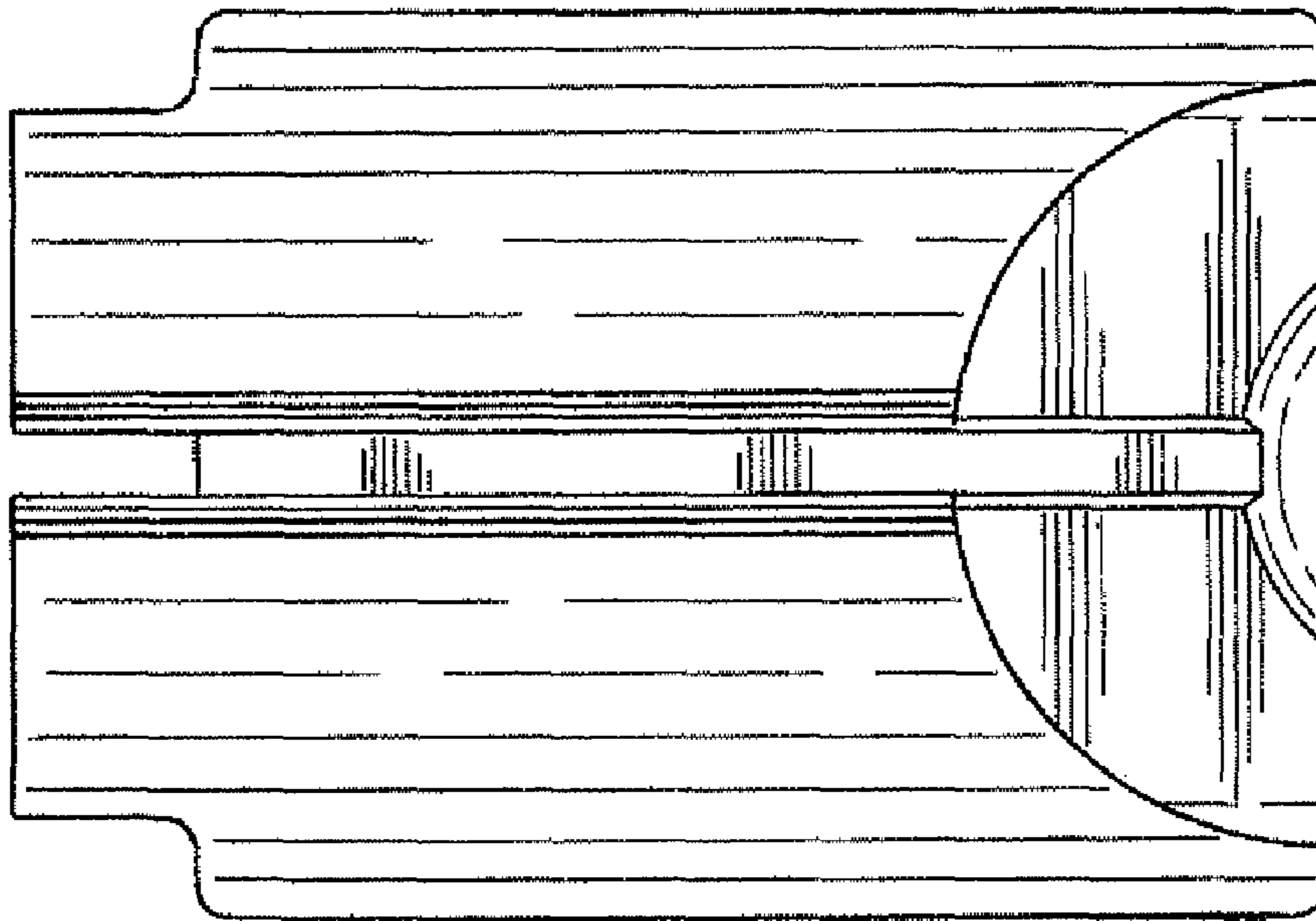


Fig. 3

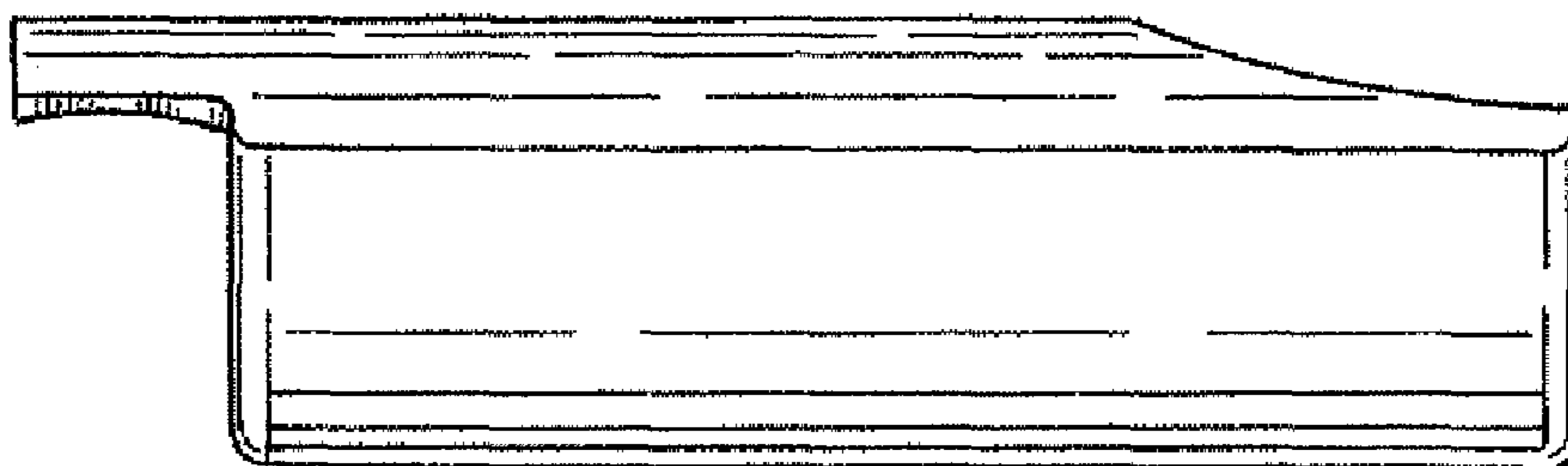


Fig. 4

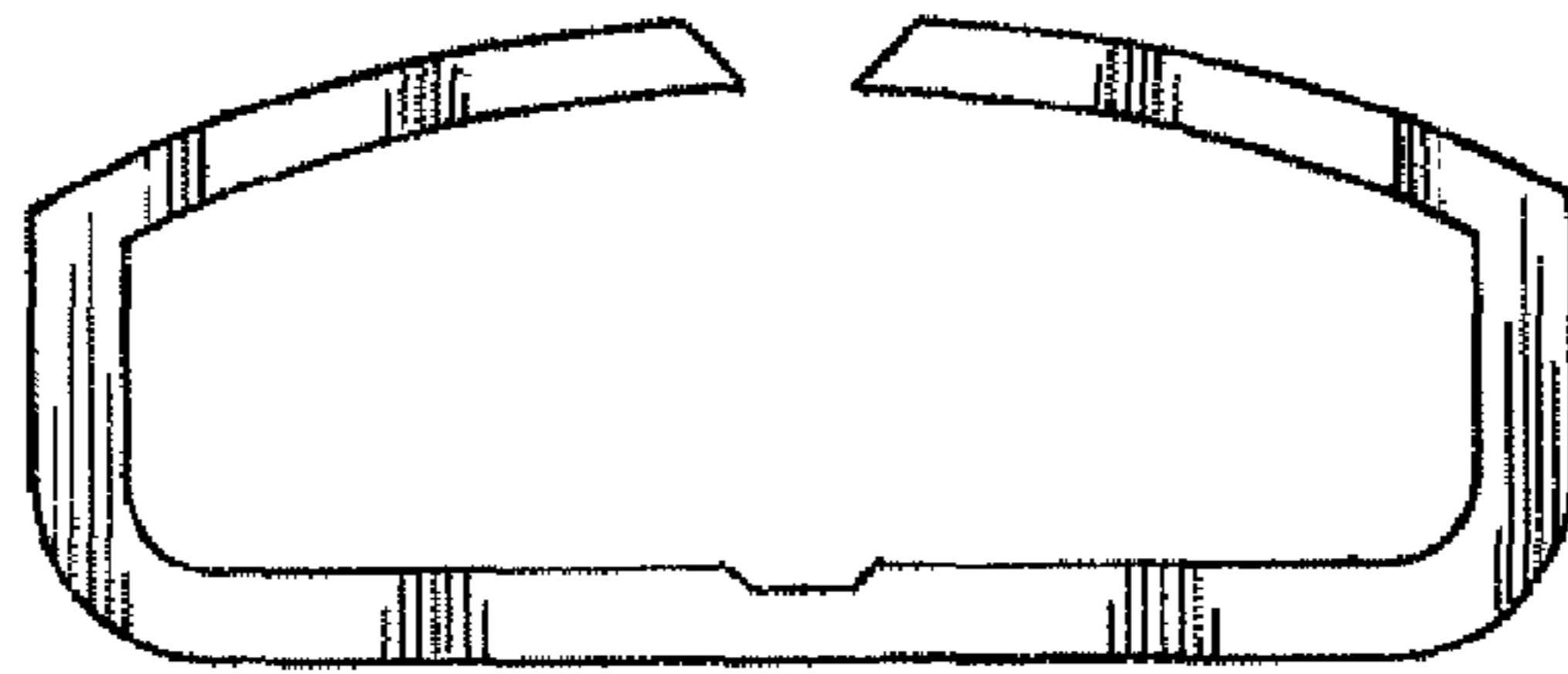


Fig. 5

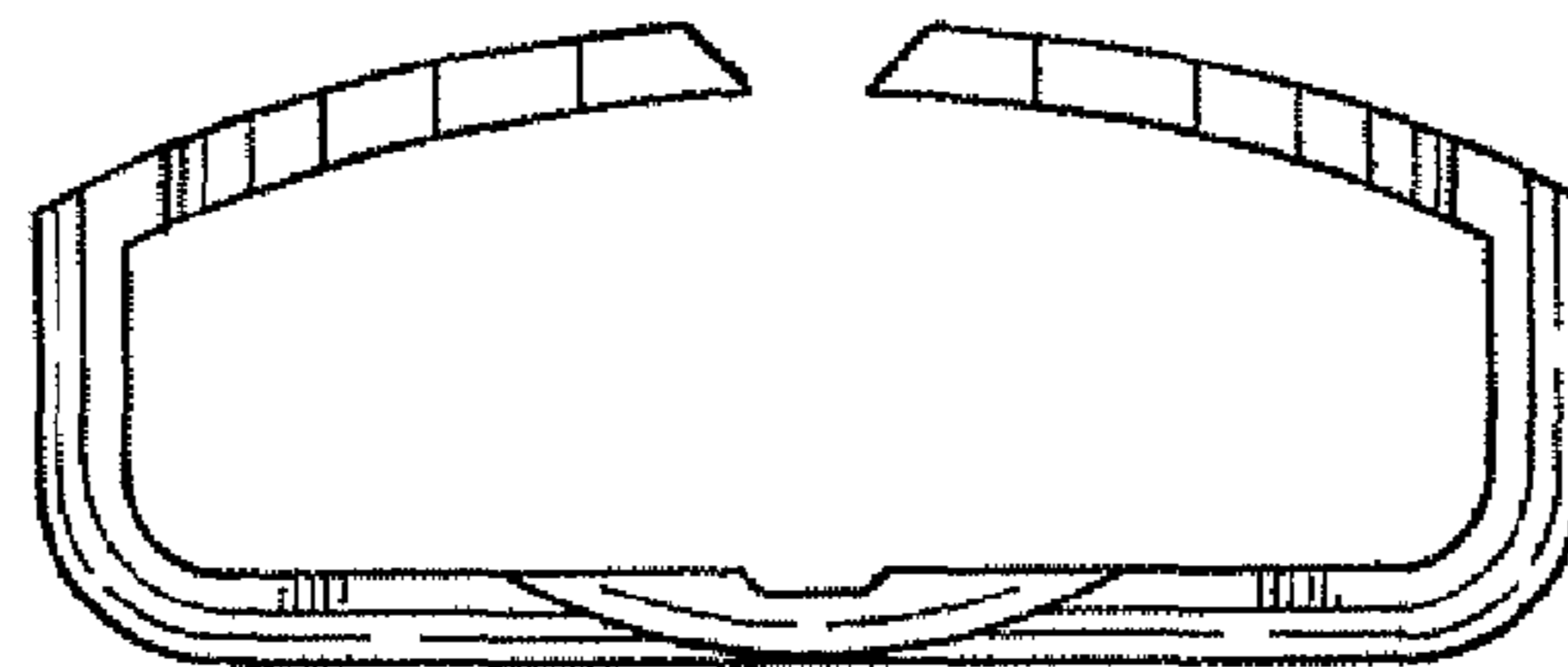


Fig. 6

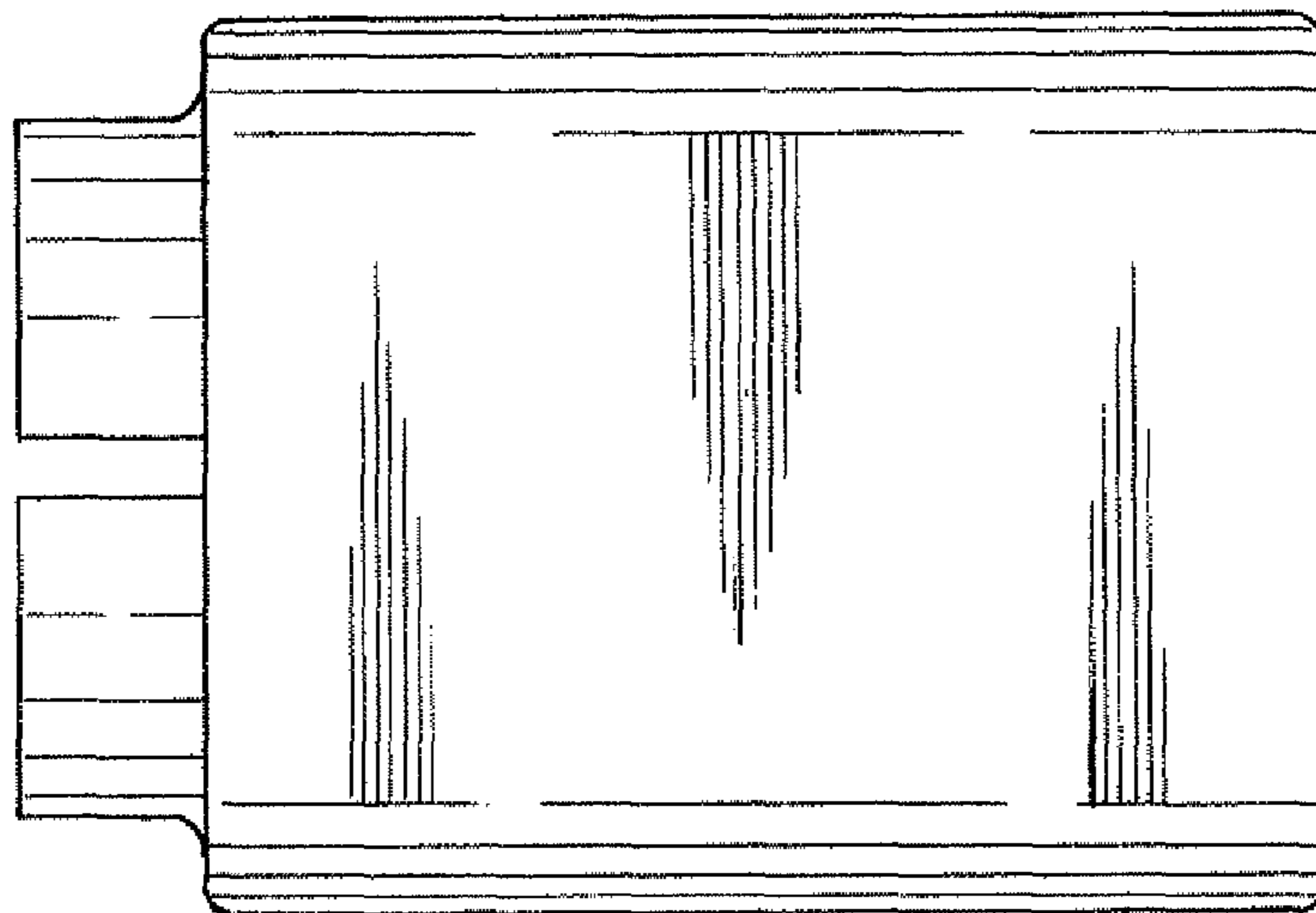


Fig. 7