

US00D603911S

(12) **United States Design Patent**
Halmone

(10) **Patent No.:** **US D603,911 S**

(45) **Date of Patent:** **** Nov. 10, 2009**

(54) **PAINTBALL MAGAZINE ASSEMBLY**

2007/0256676 A1* 11/2007 Orvis et al. 124/31

(75) Inventor: **Fabrice N. V. Halmone**, Ville la Grand (FR)

* cited by examiner

(73) Assignee: **Kingman International Corporation**, Baldwin Park, CA (US)

Primary Examiner—Holly H Baynham
Assistant Examiner—Cynthia M Chin
(74) *Attorney, Agent, or Firm*—Blakely, Sokoloff, Taylor & Zafman, LLP

(**) Term: **14 Years**

(57) **CLAIM**

(21) Appl. No.: **29/333,190**

The ornamental design for a paintball magazine assembly, as shown and described.

(22) Filed: **Mar. 4, 2009**

(51) **LOC (9) Cl.** **21-01**

(52) **U.S. Cl.** **D21/573**

(58) **Field of Classification Search** D21/572, D21/573, 574; D22/108; 124/31, 41.1, 45, 124/49, 51.1, 55, 56, 69, 70–79, 80; 42/50
See application file for complete search history.

DESCRIPTION

FIG. 1 is a perspective view of a magazine for a pneumatic gun.

FIG. 2 is a right side view of a magazine for a pneumatic gun of FIG. 1.

FIG. 3 is a left side view of a magazine for a pneumatic gun of FIG. 1.

FIG. 4 is a front view of a magazine for a pneumatic gun of FIG. 1.

FIG. 5 is a rear view of a magazine for a pneumatic gun of FIG. 1.

FIG. 6 is a top view of a magazine for a pneumatic gun of FIG. 1; and,

FIG. 7 is a bottom view of a magazine for a pneumatic gun of FIG. 1.

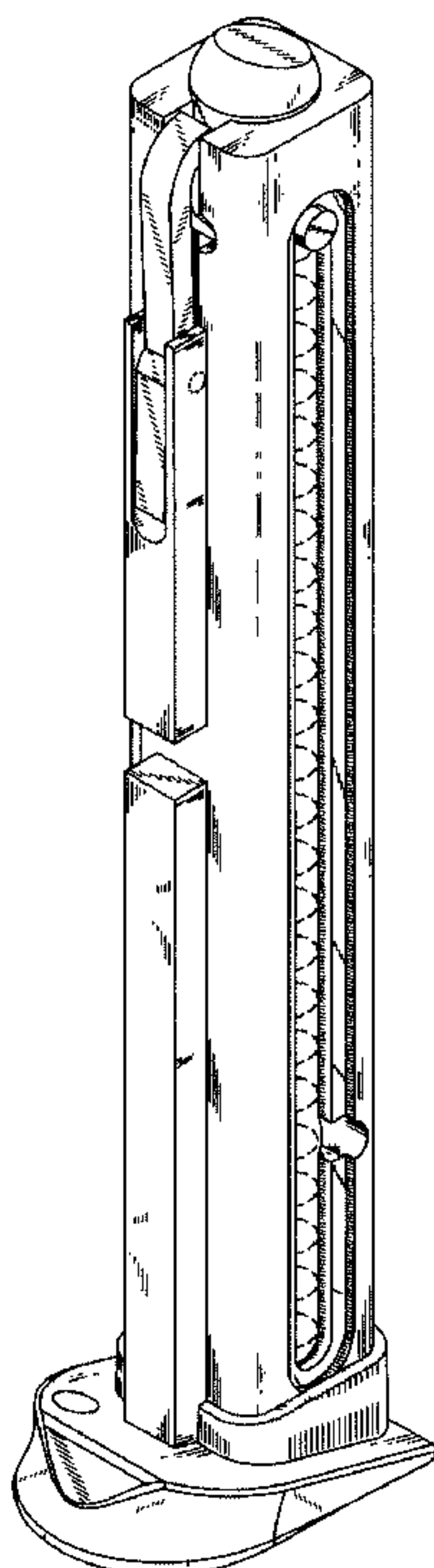
The broken lines in the figures are for environmental purpose only and form no part of the claimed design.

(56) **References Cited**

U.S. PATENT DOCUMENTS

3,558,007	A *	1/1971	Seghezzi et al.	124/45
4,564,125	A *	1/1986	Esslinger	124/45
D309,768	S *	8/1990	Blackshaw	D22/108
5,309,660	A *	5/1994	Blackamore	42/50
5,357,703	A *	10/1994	Chesnut et al.	42/50
D362,896	S *	10/1995	Hasselbusch	D22/108
D376,187	S *	12/1996	Haber et al.	D22/108
7,237,543	B2 *	7/2007	Su	124/71
7,415,977	B2 *	8/2008	Chen	124/74
7,441,556	B2 *	10/2008	Friesen et al.	124/51.1
2003/0075160	A1 *	4/2003	Petrosyan et al.	124/45
2006/0201491	A1 *	9/2006	Wei	124/74
2006/0207584	A1 *	9/2006	Yeh	124/45

1 Claim, 3 Drawing Sheets



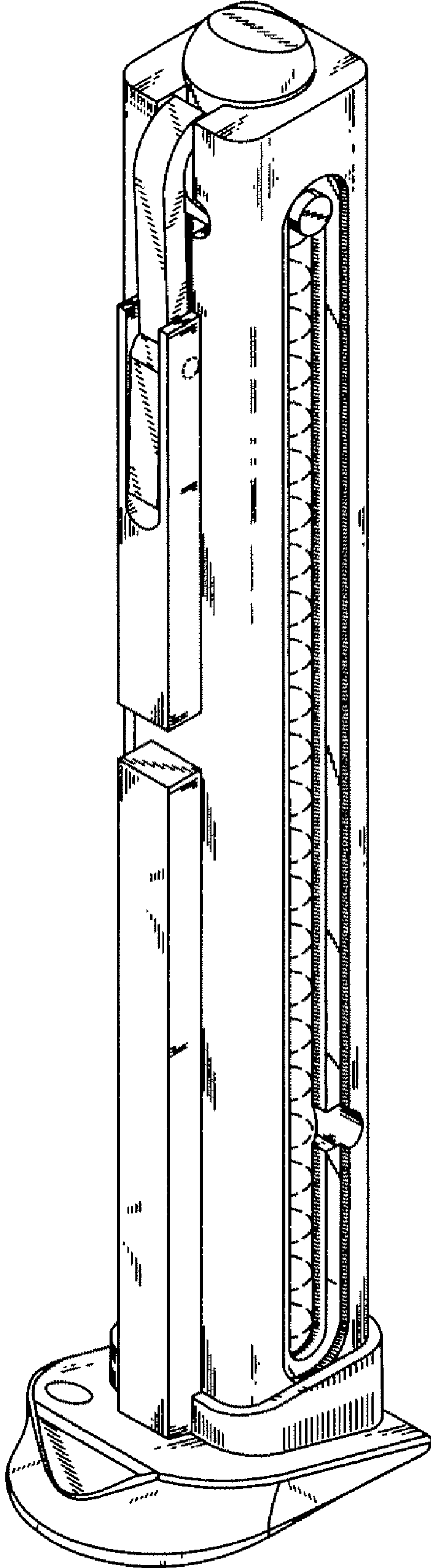


FIG. 1

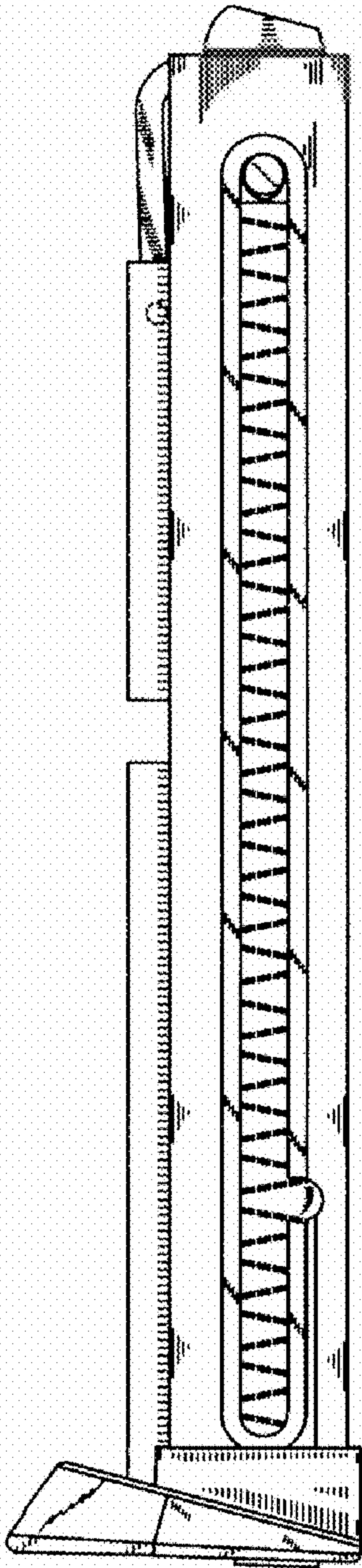


FIG. 2

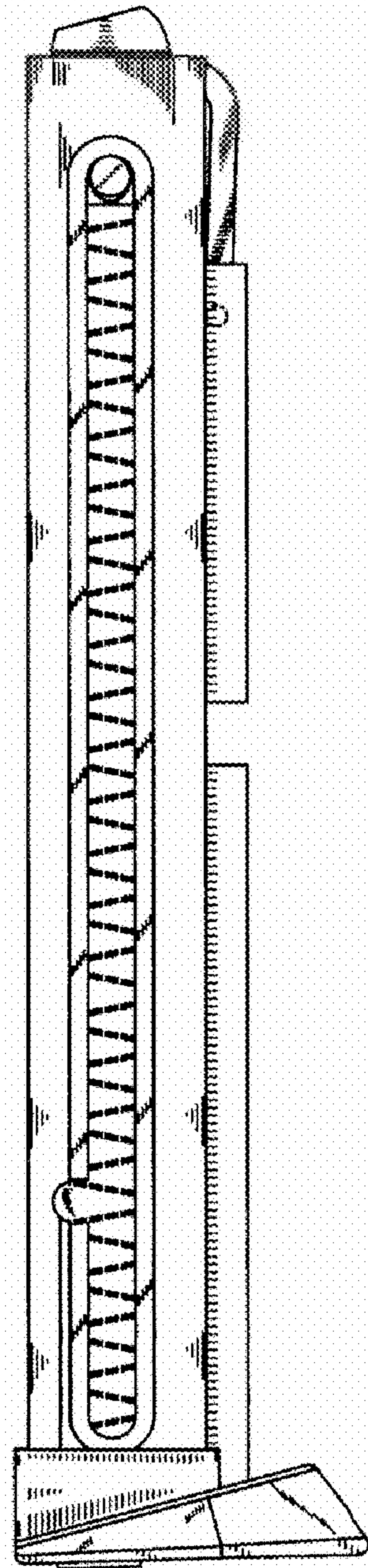


FIG. 3

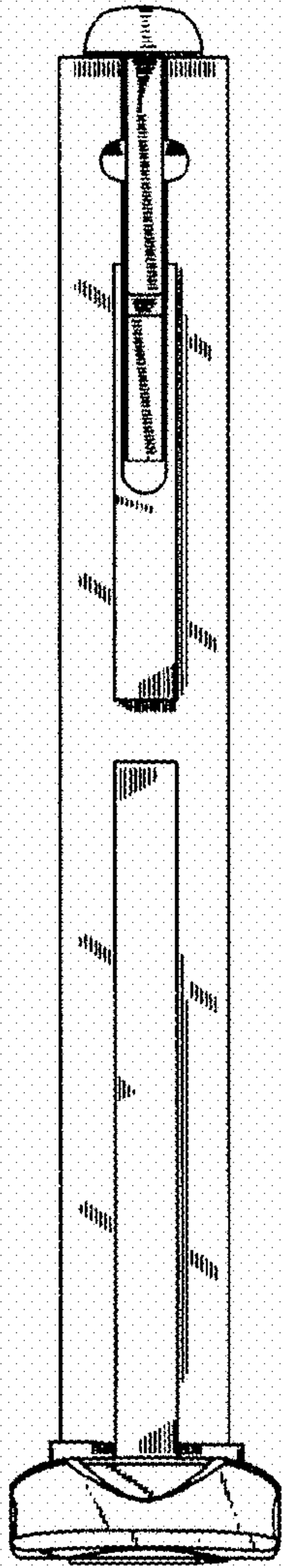


FIG. 4

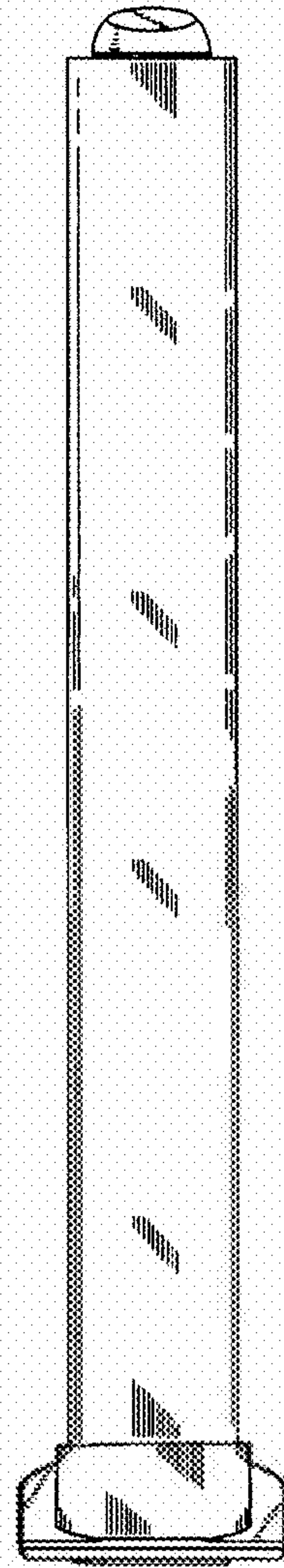


FIG. 5

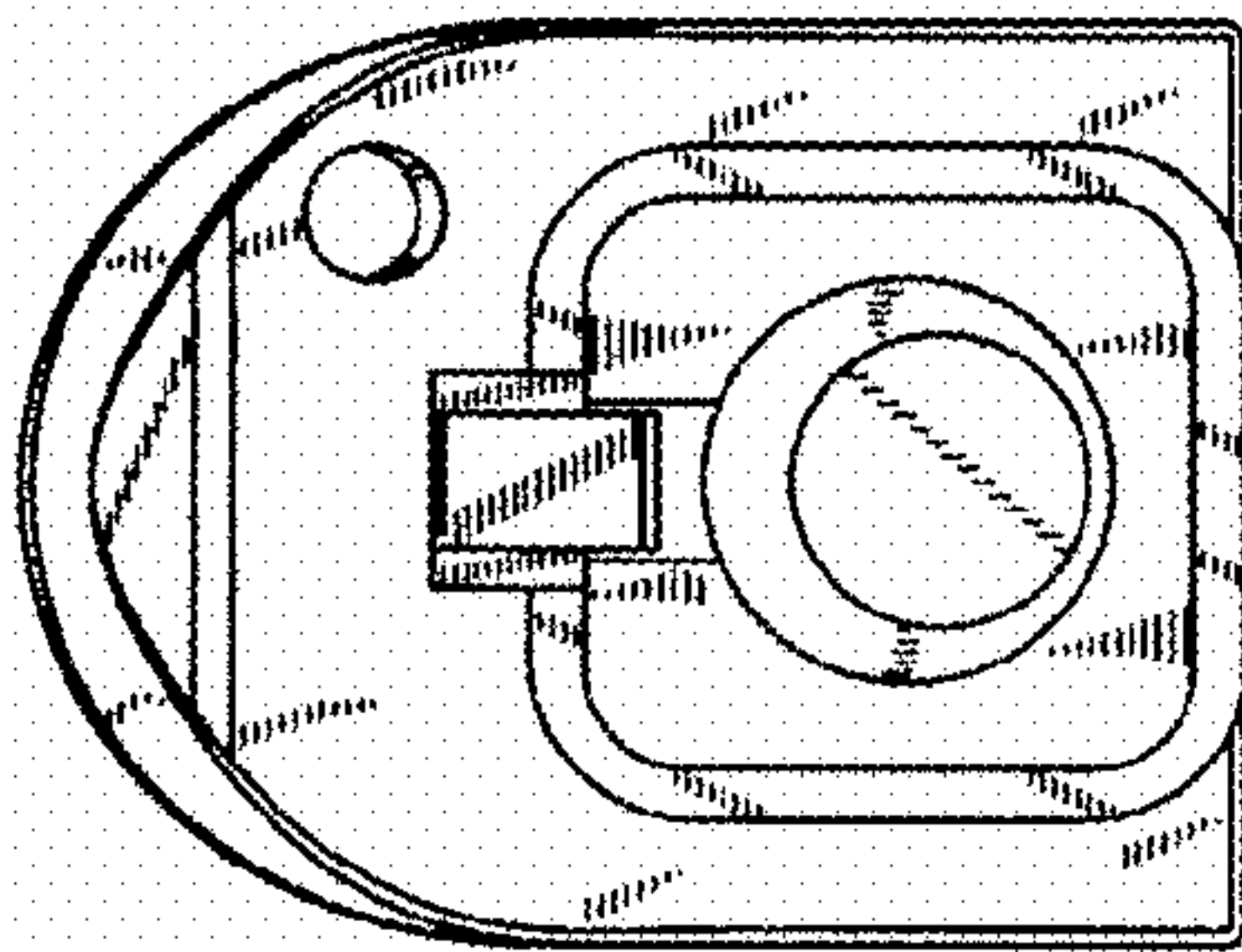


FIG. 6

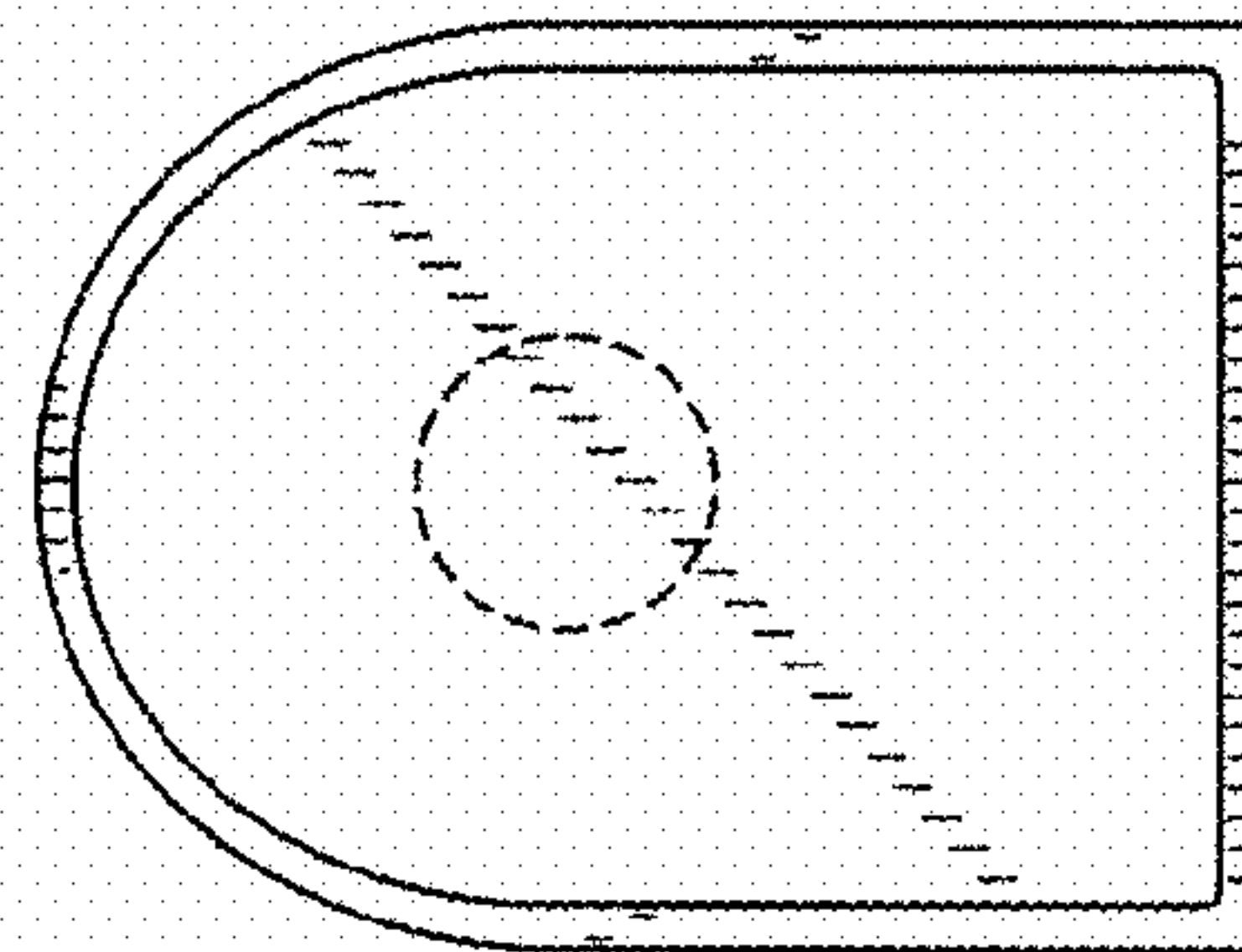


FIG. 7