



US00D603906S

(12) **United States Design Patent**
Miller et al.

(10) **Patent No.:** **US D603,906 S**

(45) **Date of Patent:** **** Nov. 10, 2009**

(54) **PROMOTIONAL DEVICE**

(75) Inventors: **Nicholas Miller**, London (GB); **Chris Lanman**, London (GB); **Kelly Maguire**, London (GB)

(73) Assignee: **KYP (Holdings) PLC**, London (GB)

(**) Term: **14 Years**

(21) Appl. No.: **29/297,753**

(22) Filed: **Nov. 16, 2007**

(30) **Foreign Application Priority Data**

May 18, 2007 (EM) 000728217

(51) **LOC (9) Cl.** **20-03**

(52) **U.S. Cl.** **D20/18; D20/27**

(58) **Field of Classification Search** D20/10, D20/11, 18, 19, 22, 23, 40, 99; 40/124.01, 40/124.06, 124.09, 124.11, 124.19, 124.191, 40/299.01, 341, 446, 453, 488, 490-492, 40/495, 594, 591, 617, 628-631, 635, 649, 40/654.01, 661.01, 661.06, 661.08, 672; D3/247, 303; D6/300; D19/1-3; 116/234; 156/277; 206/39.5; 283/56, 71, 81, 94, 98, 283/106; 299/172; 434/170, 174

See application file for complete search history.

(56) **References Cited**

U.S. PATENT DOCUMENTS

3,199,238	A *	8/1965	Brown	40/488
3,200,517	A *	8/1965	D'Agostino	434/174
4,643,680	A *	2/1987	Hill	434/170
5,078,265	A *	1/1992	Fugit et al.	206/39.6
5,377,612	A *	1/1995	Catalano et al.	116/234
5,887,370	A *	3/1999	Mizell	40/495
6,153,039	A *	11/2000	Jacobsen	156/277
6,539,653	B1 *	4/2003	Finke	40/124.06
6,643,961	B1 *	11/2003	Hluchan	40/492
D488,932	S *	4/2004	Forster	D6/300
D537,117	S	2/2007	Sinclair et al.	

D540,878	S	4/2007	Burns	
D544,040	S	6/2007	Burns	
D550,286	S *	9/2007	Garfinkle	D20/18
2005/0120940	A1	6/2005	Sinclair et al.	
2008/0083145	A1 *	4/2008	Wynalda et al.	40/495

FOREIGN PATENT DOCUMENTS

EM	000088026-0001	1/2004
EM	000123674-0001	4/2004
EM	000214010-0001	11/2004
EM	000268800-0001	3/2005
EM	000544572-0001	7/2006
EM	000605563-0001	11/2006
EM	000634415-0001	1/2007
EM	000728217-0001	6/2007
EM	000748488-0001	7/2007

* cited by examiner

Primary Examiner—Janice E Seeger

Assistant Examiner—Mary Ann Calabrese

(74) *Attorney, Agent, or Firm*—Banner & Witcoff, Ltd.

(57) **CLAIM**

The ornamental design for a promotional device, as shown and described.

DESCRIPTION

FIG. 1 is a side view of a promotional device showing our new design in an unfolded configuration with content inserts in a retracted state;

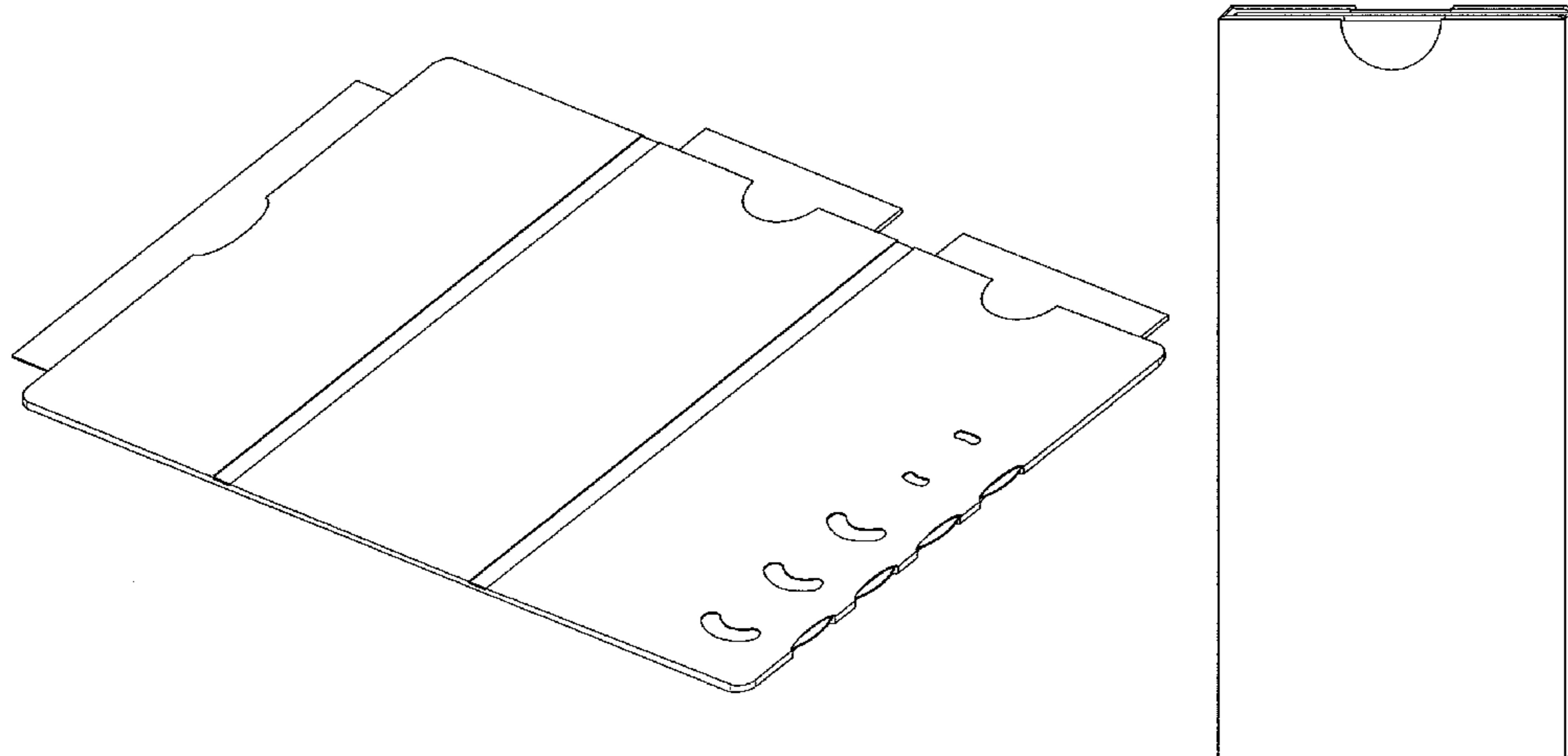
FIG. 2 is a second side view thereof;

FIG. 3 is a side perspective view thereof with content inserts in an extended state; and,

FIG. 4 is a front perspective view of the promotional device shown in a folded configuration with content inserts in a retracted state.

The tabs extending from the body of the design in FIG. 3 represent content inserts that retract into the body of the design as shown in FIGS. 1, 2, and 4. Any unshown portion of the promotional device forms no part of the claimed design.

1 Claim, 2 Drawing Sheets



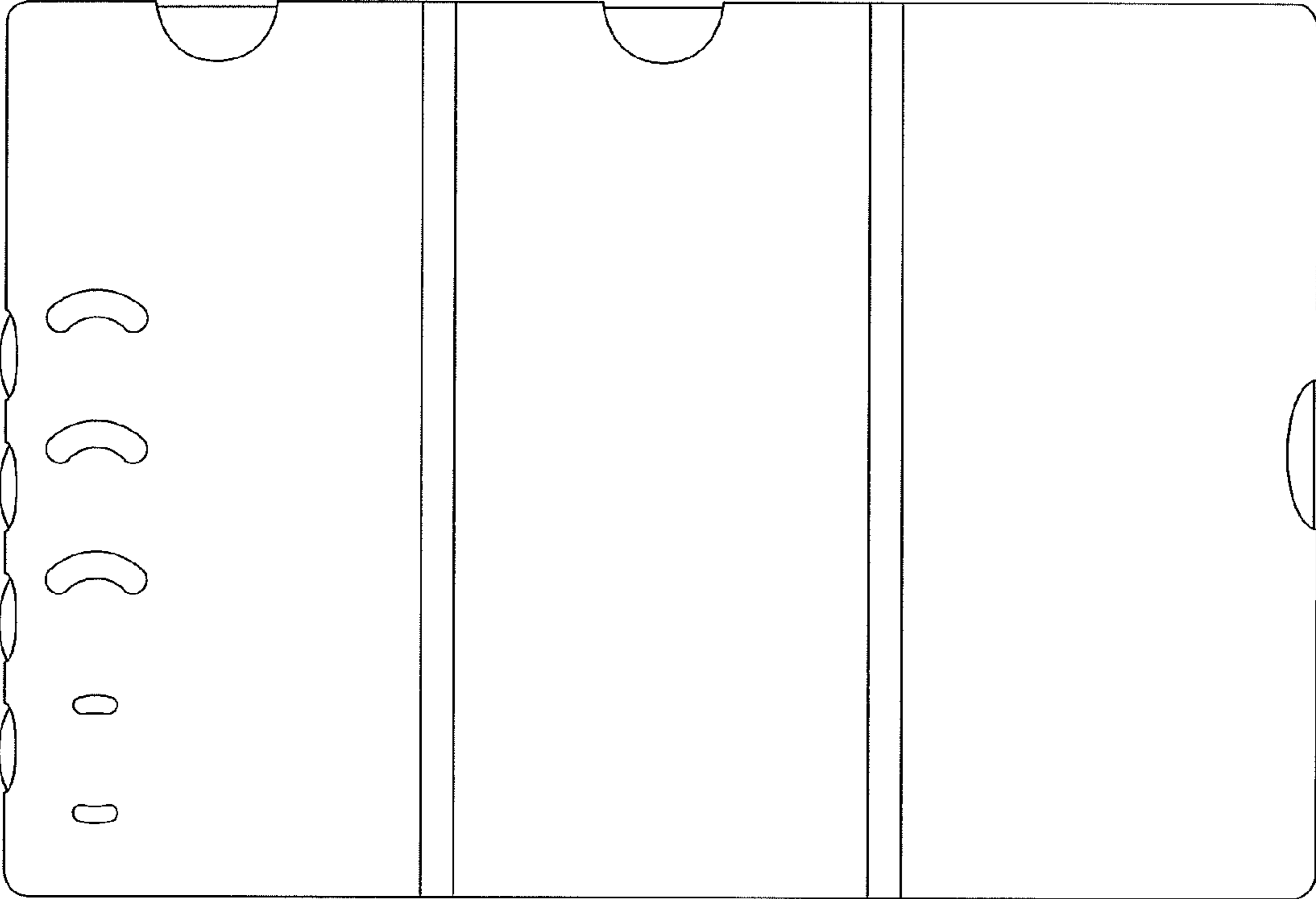


FIG. 1

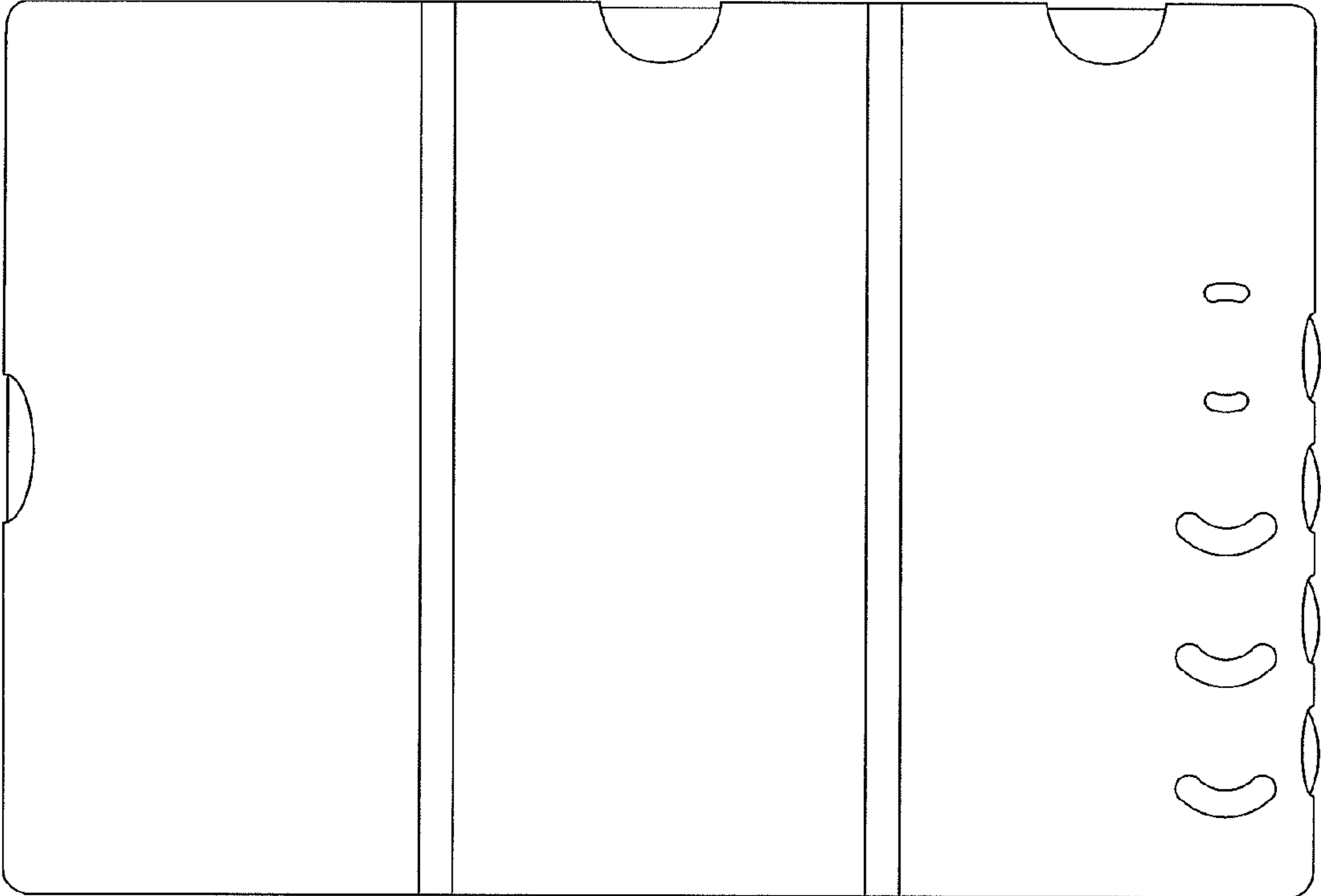


FIG. 2

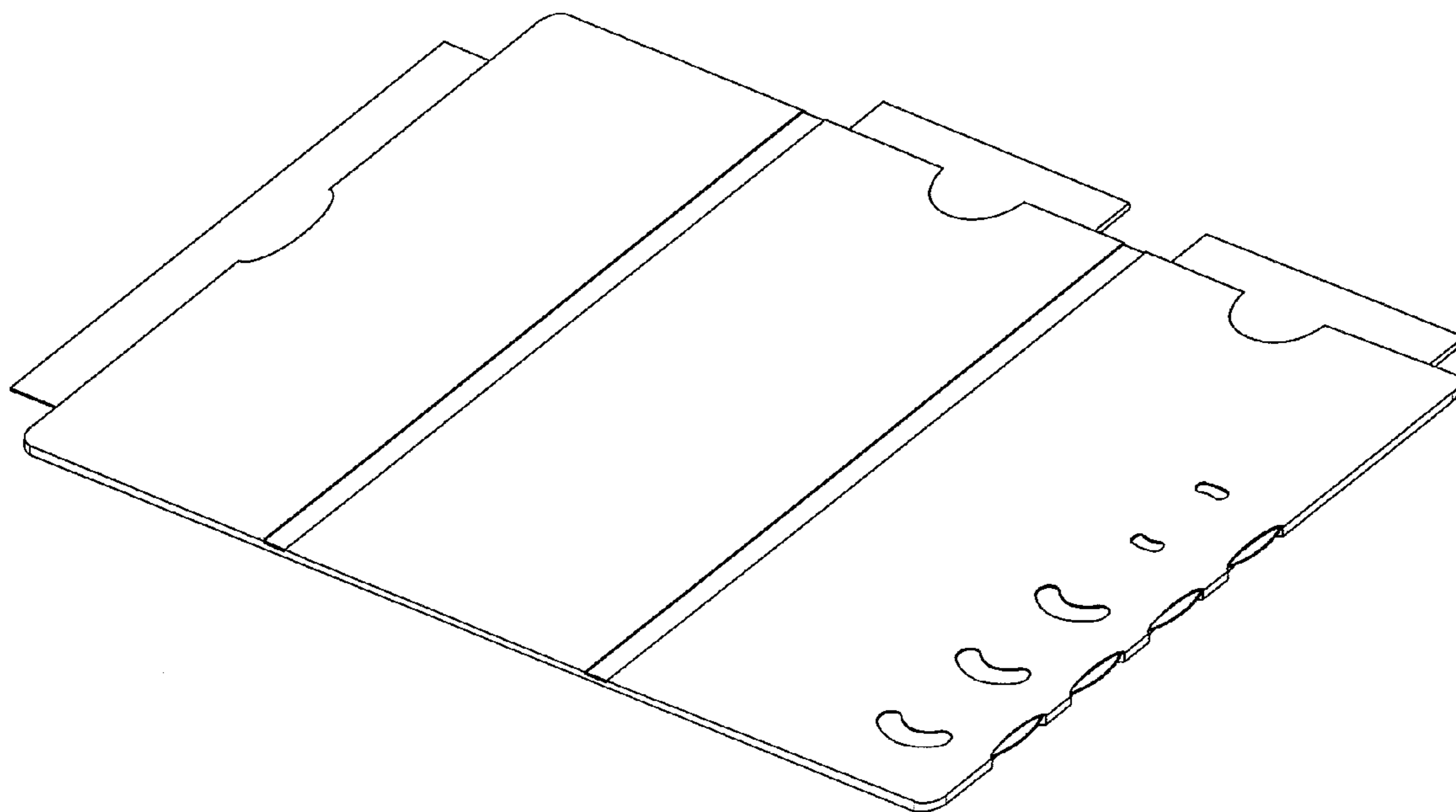


FIG. 3

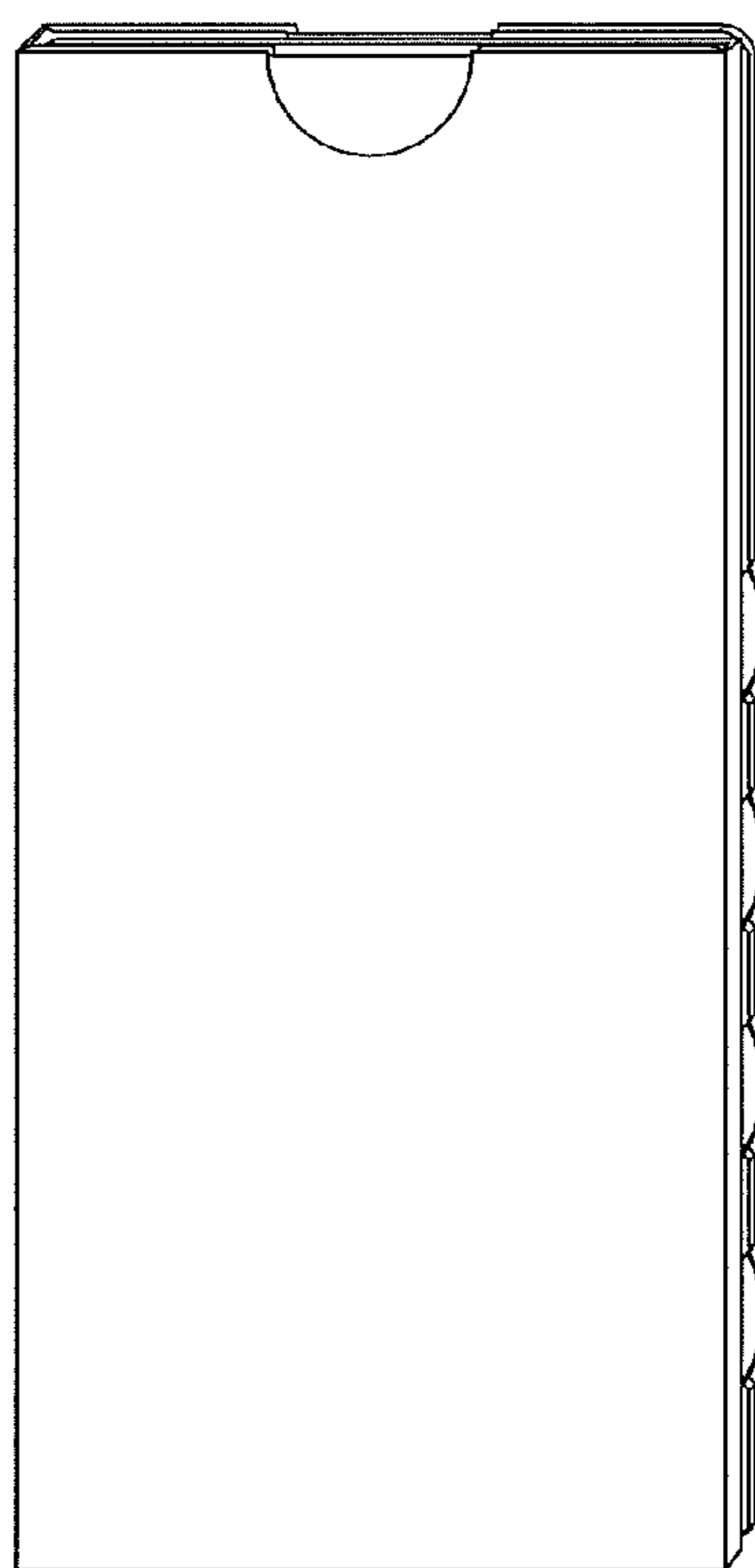


FIG. 4