



US00D603899S

(12) **United States Design Patent**
Suero, Jr. et al.

(10) **Patent No.:** **US D603,899 S**
(45) **Date of Patent:** **** Nov. 10, 2009**

(54) **WRITING INSTRUMENT**

(75) Inventors: **Jose Suero, Jr.**, Boca Raton, FL (US);
Li Bin, Ningbo (CN)
(73) Assignee: **Office Depot, Inc.**, Boca Raton, FL (US)
(**) Term: **14 Years**
(21) Appl. No.: **29/311,106**
(22) Filed: **Dec. 23, 2008**

(51) **LOC (9) Cl.** **19-06**
(52) **U.S. Cl.** **D19/50**
(58) **Field of Classification Search** D19/35,
D19/36, 41-51, 53-57; 24/11 F, 11 P, 11 R;
401/52, 99, 100, 104-109, 192, 195, 196
See application file for complete search history.

(56) **References Cited**

U.S. PATENT DOCUMENTS

| | | | | |
|--------------|---------|--------------|-------|--------|
| D120,137 S * | 4/1940 | Most | | D19/48 |
| D124,230 S * | 12/1940 | Dreyfuss | | D19/51 |
| D253,060 S | 10/1979 | Itoh | | |
| D259,792 S | 7/1981 | Itoh et al. | | |
| D260,407 S | 8/1981 | Itoh | | |
| D261,010 S | 9/1981 | Itoh | | |
| D263,318 S | 3/1982 | Oka | | |
| D266,856 S | 11/1982 | Oka | | |
| D279,993 S * | 8/1985 | Oka | | D19/45 |
| D325,045 S * | 3/1992 | Katami | | D19/49 |
| D325,931 S | 5/1992 | Sekiguchi | | |
| D338,039 S | 8/1993 | Takahashi | | |
| D353,838 S | 12/1994 | Osada et al. | | |
| D366,498 S | 1/1996 | Abe et al. | | |
| D366,902 S | 2/1996 | Takahashi | | |
| D377,195 S | 1/1997 | Takahashi | | |
| D378,601 S | 3/1997 | Sakuno | | |
| D382,016 S | 8/1997 | Takahashi | | |
| D387,803 S | 12/1997 | Izushima | | |
| D391,294 S | 2/1998 | Izushima | | |
| D394,455 S | 5/1998 | Izushima | | |
| D395,448 S | 6/1998 | Chevalier | | |
| D397,150 S | 8/1998 | Izushima | | |

| | | |
|------------|---------|----------------|
| D400,922 S | 11/1998 | Sakuno |
| D403,704 S | 1/1999 | Arita |
| D404,764 S | 1/1999 | Perry et al. |
| D408,057 S | 4/1999 | Izushima |
| D410,030 S | 5/1999 | Sunaga |
| D412,014 S | 7/1999 | Izushima |
| D423,576 S | 4/2000 | Stevens et al. |
| D427,634 S | 7/2000 | Izushima |
| D430,207 S | 8/2000 | Izushima |
| D431,262 S | 9/2000 | Izushima |
| D431,599 S | 10/2000 | Izushima |
| D441,015 S | 4/2001 | Izushima |
| D444,498 S | 7/2001 | Izushima |
| D448,804 S | 10/2001 | Izushima |
| D452,528 S | 12/2001 | Izushima |

(Continued)

OTHER PUBLICATIONS

U.S. Appl. No. 29/311,110; filed Dec. 23, 2008 (6 pages).

(Continued)

Primary Examiner—Elizabeth A Albert
(74) *Attorney, Agent, or Firm*—Finnegan, Henderson,
Farabow, Garrett, & Dunner, LLP

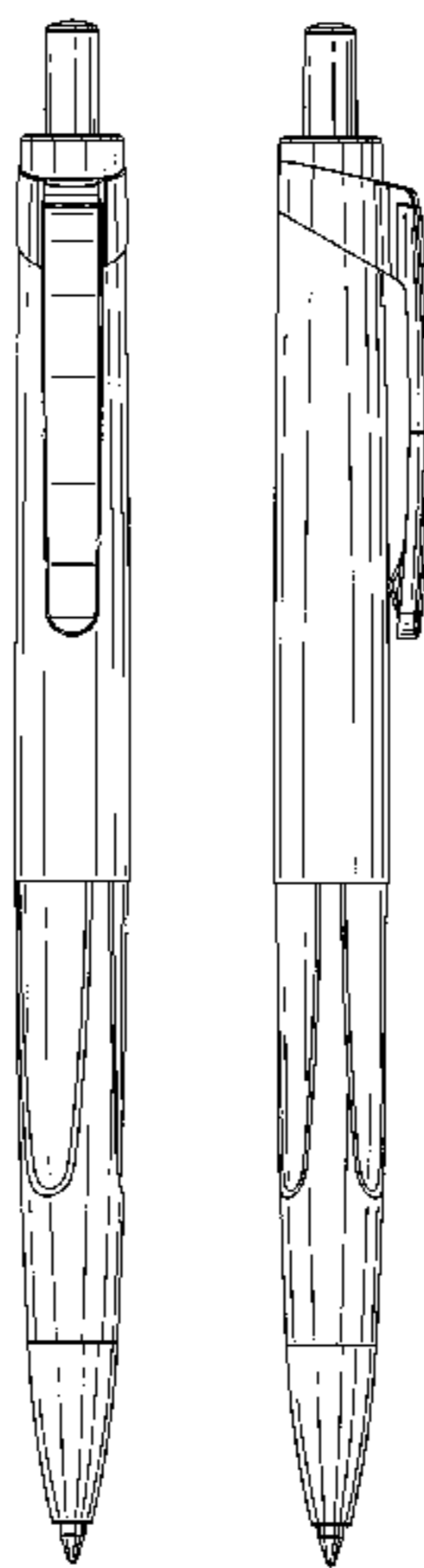
(57) **CLAIM**

The ornamental design for a writing instrument, as shown and described.

DESCRIPTION

FIG. 1 is a front view of a writing instrument of my new design;
FIG. 2 is a right side view thereof;
FIG. 3 is a rear view thereof;
FIG. 4 is a left side view thereof;
FIG. 5 is a bottom plan view thereof;
FIG. 6 is a top plan view thereof; and,
FIG. 7 is a top right perspective view thereof.

1 Claim, 3 Drawing Sheets



US D603,899 S

Page 2

U.S. PATENT DOCUMENTS

D454,367 S 3/2002 Ferrara
D456,411 S 4/2002 Kourushi
D458,966 S 6/2002 Oka
D469,467 S * 1/2003 Briggl D19/51
D487,773 S 3/2004 Keda
D488,507 S 4/2004 Finney et al.
D490,464 S 5/2004 Andrews et al.
D491,605 S 6/2004 Hoffmann et al.
D491,983 S * 6/2004 Izushima D19/49
D492,963 S * 7/2004 Qiu D19/43
D494,621 S 8/2004 Andrews et al.
D499,139 S 11/2004 Oka
D500,338 S 12/2004 Kommer
D501,222 S 1/2005 De Giusti et al.
D501,506 S 2/2005 Kommer
D501,511 S 2/2005 Bain et al.
D504,465 S 4/2005 Shibata et al.
D508,950 S 8/2005 Kiple et al.
D509,854 S 9/2005 Kommer
D516,625 S 3/2006 Bertheaux
D521,559 S 5/2006 Piacenza
D522,579 S * 6/2006 Sim D19/36
D525,302 S 7/2006 Togawa

D527,422 S 8/2006 Kent
D531,218 S * 10/2006 Tatic D19/50
D535,698 S 1/2007 Shibata
D538,343 S 3/2007 Morton et al.
D544,034 S * 6/2007 Qiu D19/43
D545,900 S 7/2007 Gerules
D547,375 S 7/2007 Gerules
D552,673 S 10/2007 Rolion et al.
D556,259 S 11/2007 Feng et al.
D562,391 S * 2/2008 Gerules D19/49
D566,764 S * 4/2008 Kent et al. D19/50
D576,213 S * 9/2008 Fei D19/47
D576,675 S * 9/2008 Kent et al. D19/49
D594,059 S * 6/2009 Shibata D19/48

OTHER PUBLICATIONS

U.S. Appl. No. 29/311,109; filed Dec. 23, 2008 (6 pages).
U.S. Appl. No. 29/311,108; filed Dec. 23, 2008 (6 pages).
U.S. Appl. No. 29/311,107; filed Dec. 23, 2008 (6 pages).
U.S. Appl. No. 29/311,105; filed Dec. 23, 2008 (5 pages).
U.S. Appl. No. 29/311,104; filed Dec. 23, 2008 (6 pages).
U.S. Appl. No. 29/311,102; filed Dec. 23, 2008 (6 pages).
U.S. Appl. No. 29/311,103; filed Dec. 23, 2008 (6 pages).

* cited by examiner

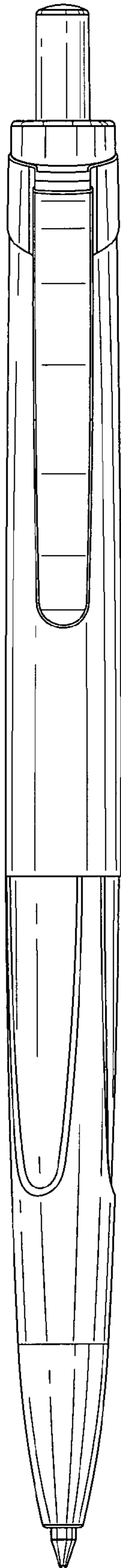


FIG. 1

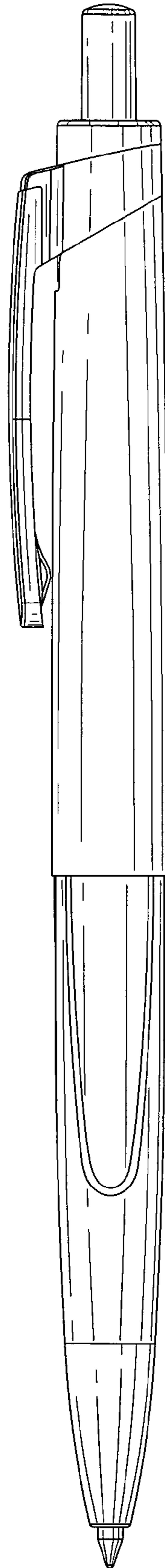


FIG. 2

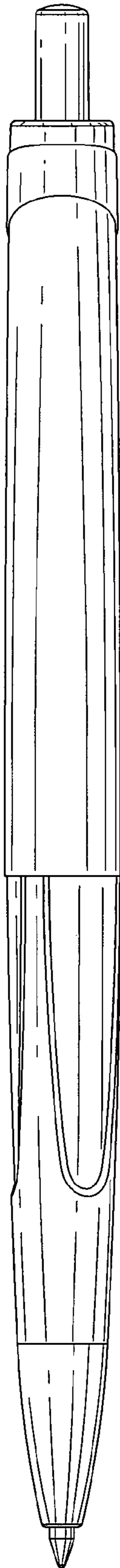


FIG. 3

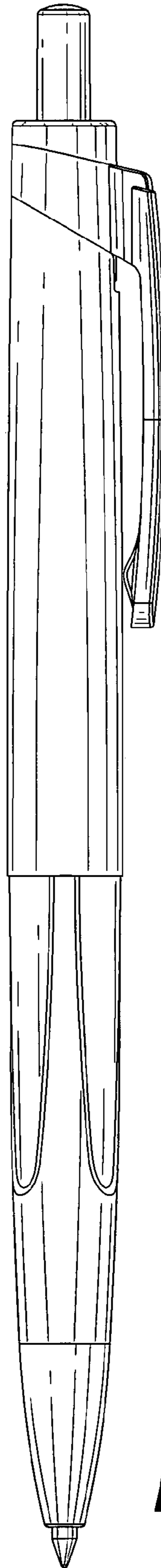


FIG. 4

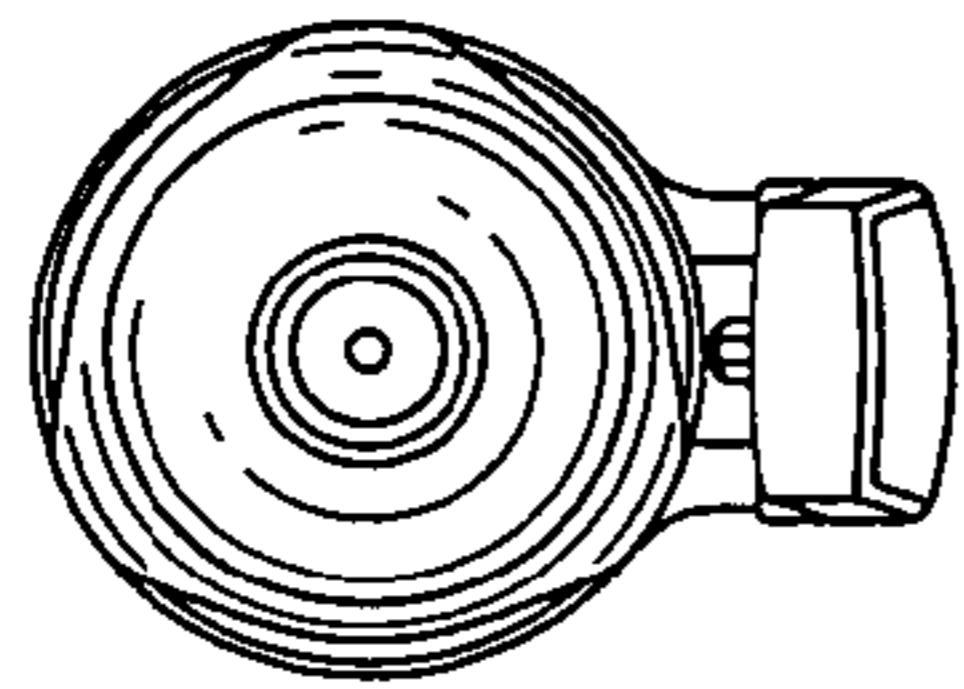


FIG. 5

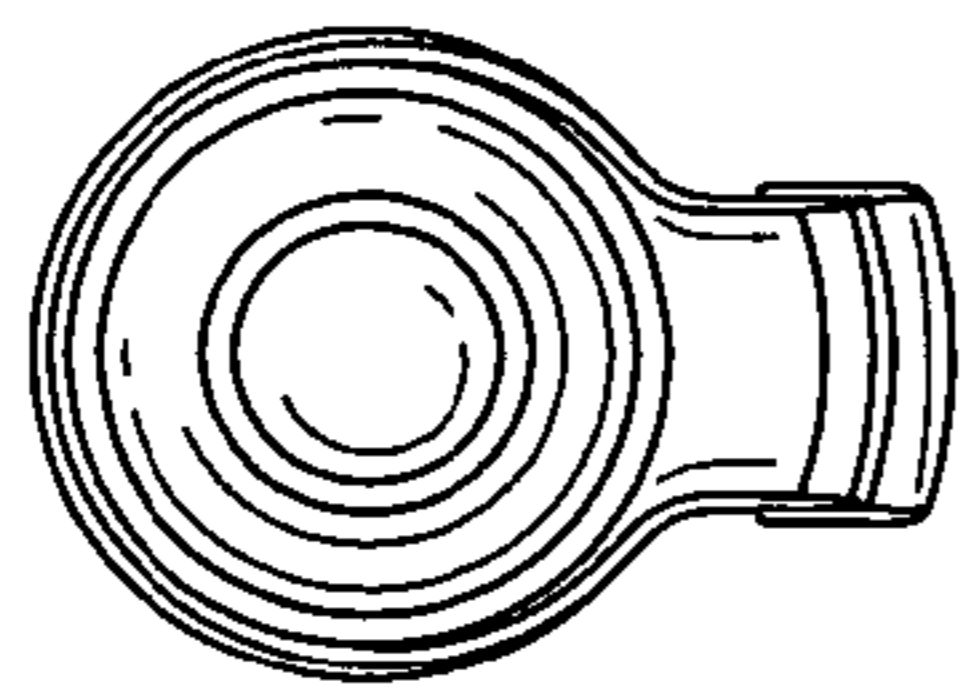


FIG. 6

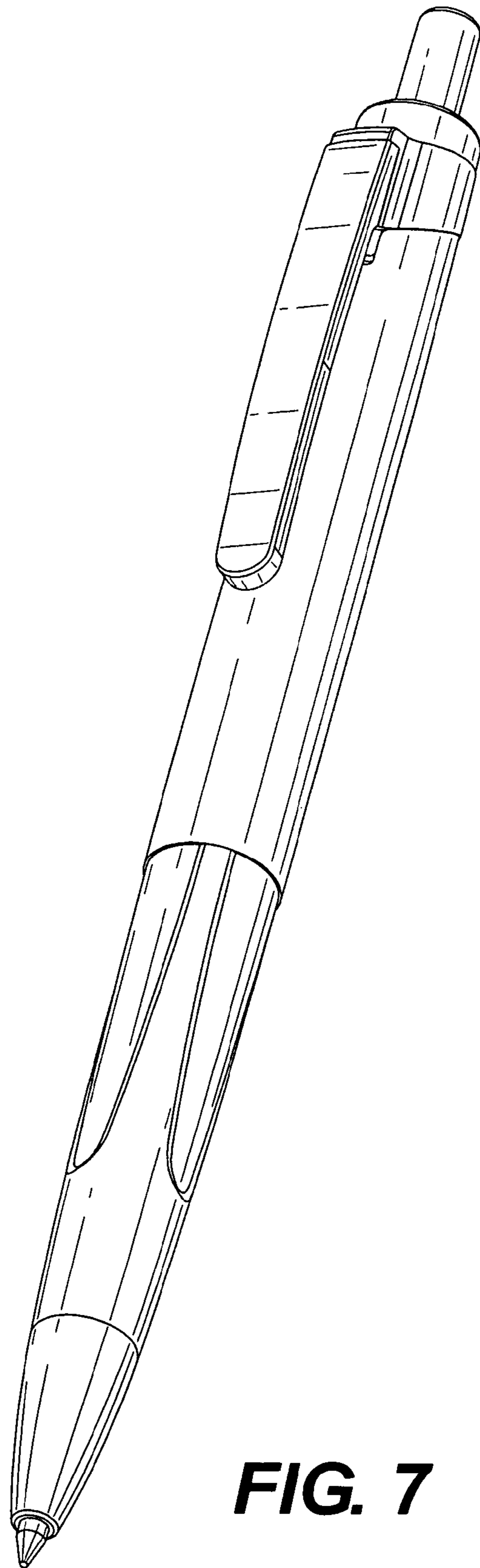


FIG. 7