



US00D603894S

(12) **United States Design Patent**  
**Yamano et al.**

(10) **Patent No.:** **US D603,894 S**

(45) **Date of Patent:** **\*\* Nov. 10, 2009**

(54) **PRINTER**

(75) Inventors: **Hirokazu Yamano**, Chino (JP); **Takaaki Ishikawa**, Matsumoto (JP)

(73) Assignee: **Seiko Epson Corporation** (JP)

(\*\*) Term: **14 Years**

(21) Appl. No.: **29/294,442**

(22) Filed: **Jan. 10, 2008**

(30) **Foreign Application Priority Data**

Aug. 31, 2007 (JP) ..... 2007-023655

(51) **LOC (9) Cl.** ..... **14-02**

(52) **U.S. Cl.** ..... **D18/55**

(58) **Field of Classification Search** ..... D18/36-39,  
D18/19, 50, 54, 54.1, 55; D14/420-425,  
D14/463-470; 400/613, 613.1-613.4, 690.1-690.4,  
400/691-694

See application file for complete search history.

(56) **References Cited**

**U.S. PATENT DOCUMENTS**

- D390,258 S \* 2/1998 Kawahara et al. .... D18/55
- D400,918 S \* 11/1998 Kobayashi et al. .... D18/55
- D411,228 S \* 6/1999 Kobayashi et al. .... D18/50
- D441,012 S \* 4/2001 Kawahara et al. .... D18/55
- D516,621 S \* 3/2006 Kobayashi et al. .... D18/55
- D522,047 S \* 5/2006 Ko et al. .... D18/55

- D525,295 S \* 7/2006 Suzuki et al. .... D18/55
- D536,373 S \* 2/2007 Inoue et al. .... D18/55
- D546,875 S \* 7/2007 Suzuki et al. .... D18/50
- D561,822 S \* 2/2008 Tatara et al. .... D18/50
- D577,764 S \* 9/2008 Yamano et al. .... D18/50

\* cited by examiner

*Primary Examiner*—Cathy Anne MacCormac

(74) *Attorney, Agent, or Firm*—Harness, Dickey & Pierce, P.L.C.

(57) **CLAIM**

The ornamental design for a printer, as shown and described.

**DESCRIPTION**

FIG. 1 is a perspective view of a printer, embodying our new design;

FIG. 2 is a front view thereof;

FIG. 3 is a rear view thereof;

FIG. 4 is a left side view thereof;

FIG. 5 is a right side view thereof;

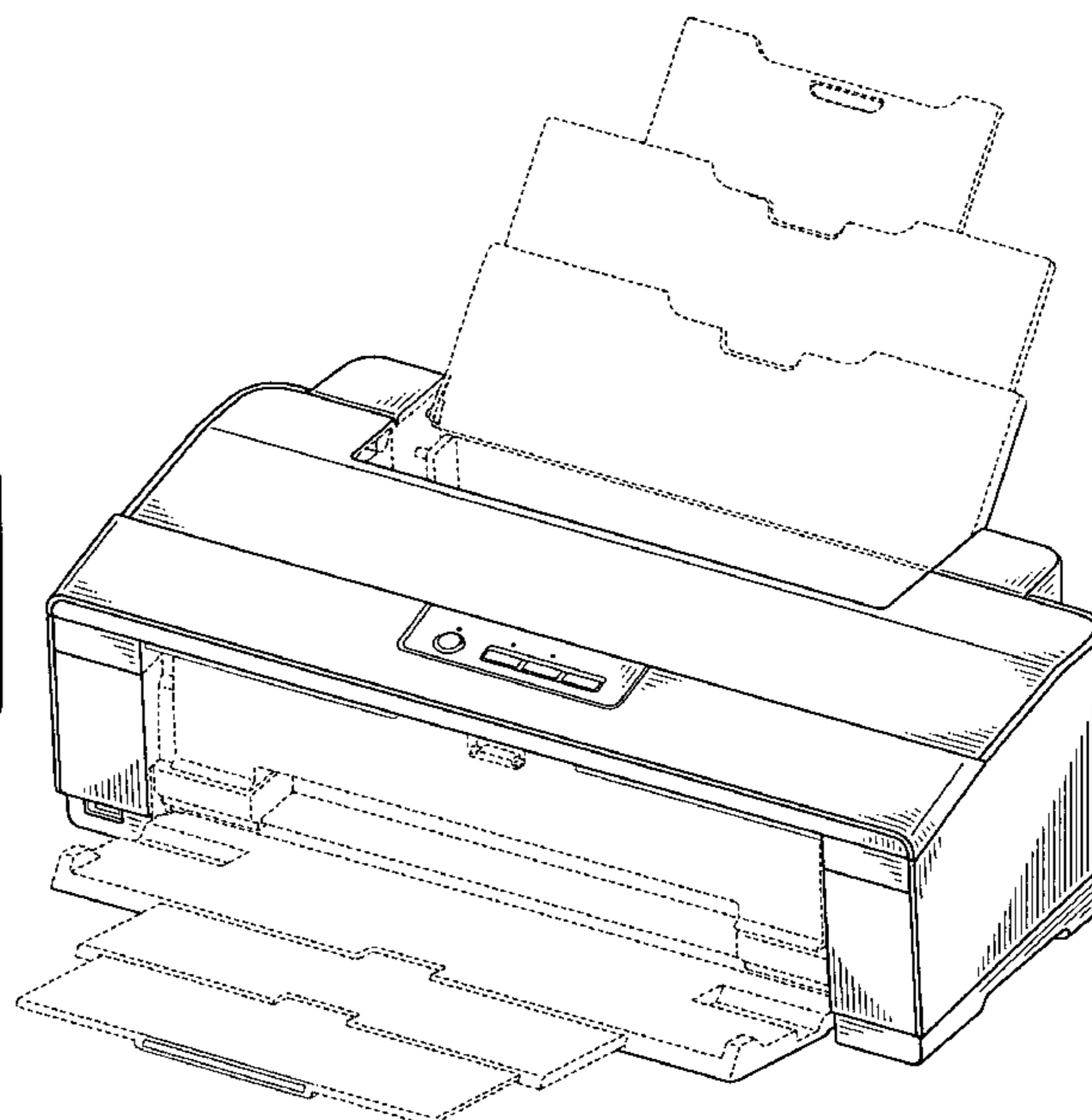
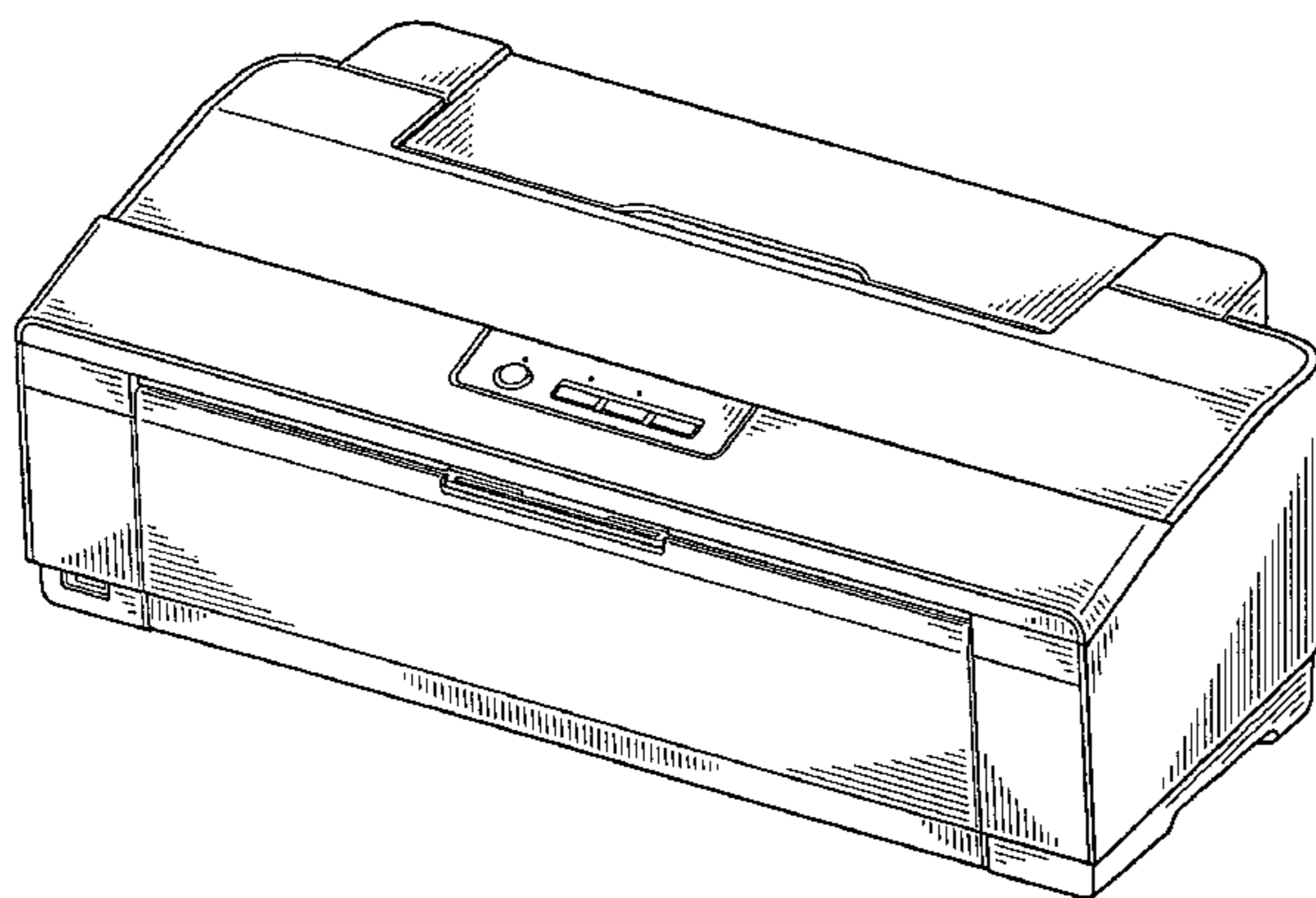
FIG. 6 is a top view thereof;

FIG. 7 is a bottom view thereof; and,

FIG. 8 is a perspective view thereof showing paper input and output trays in open positions.

The broken lines are for illustrative purposes and form no part of the claimed design.

**1 Claim, 5 Drawing Sheets**



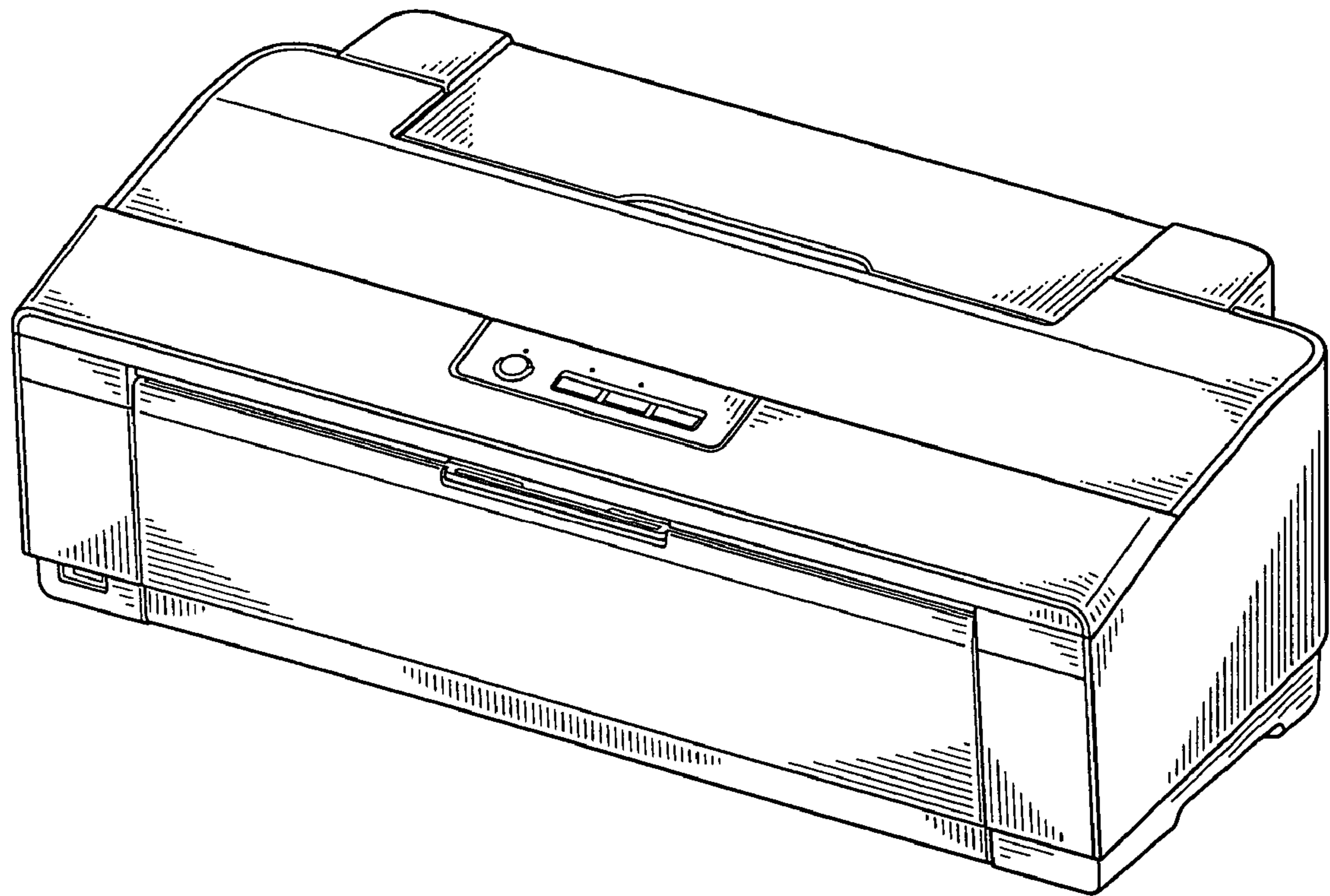


FIG. 1

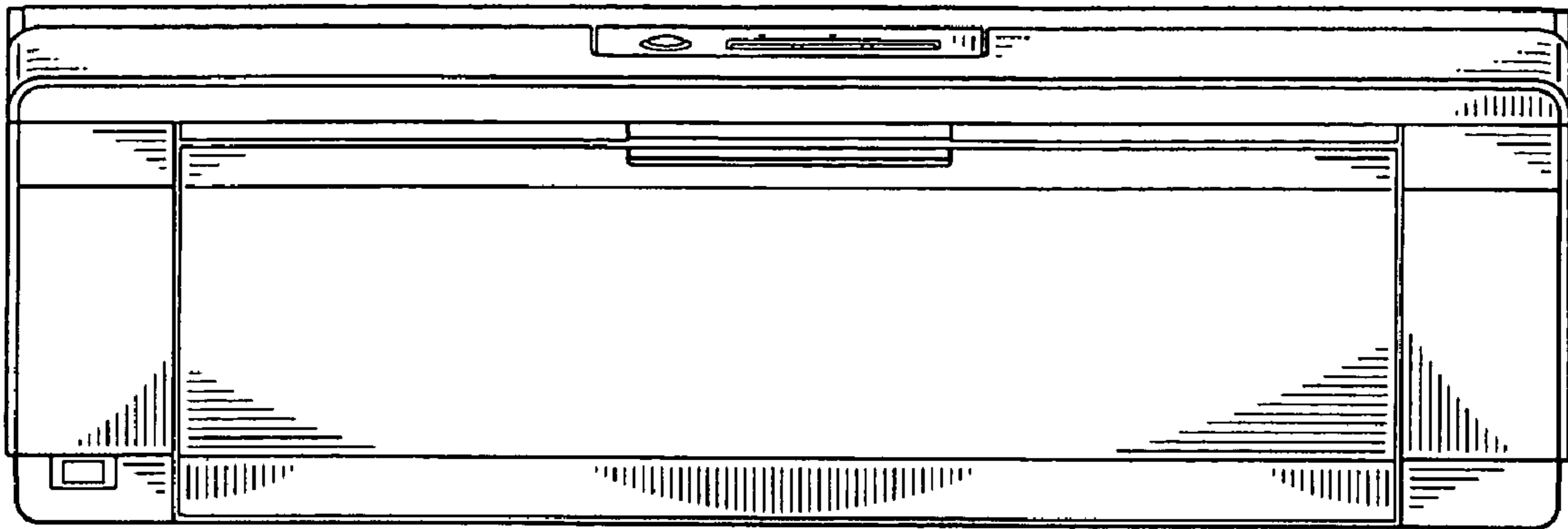


FIG. 2

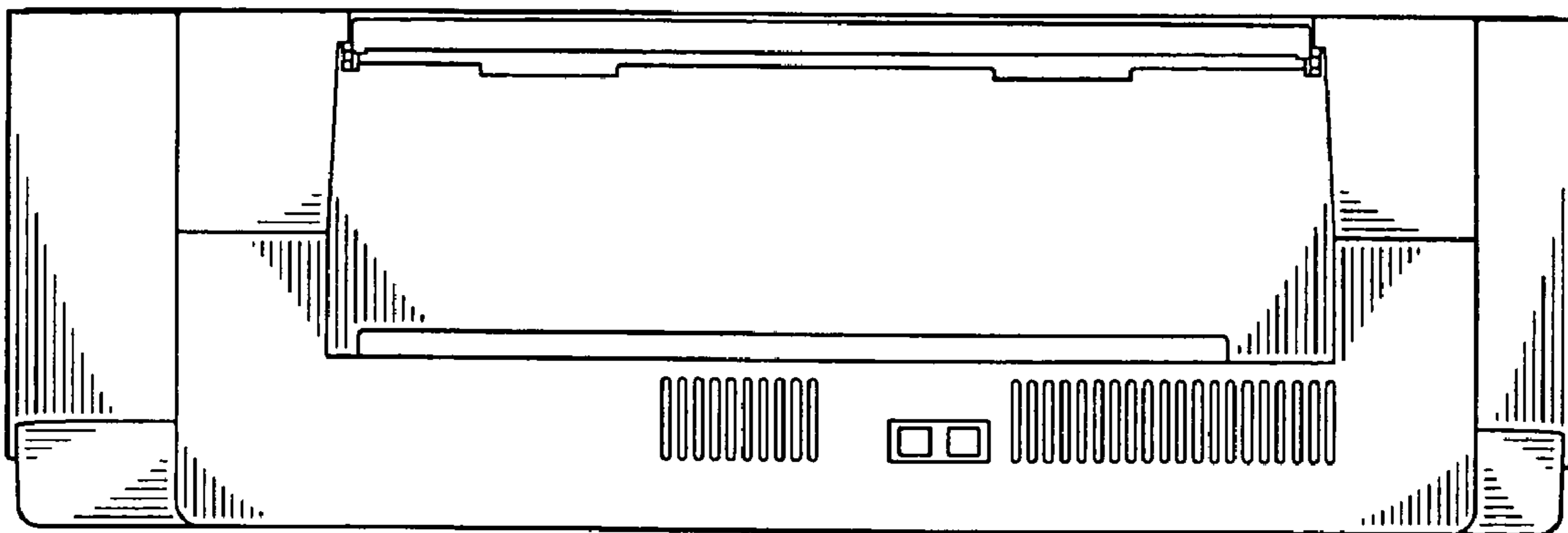


FIG. 3

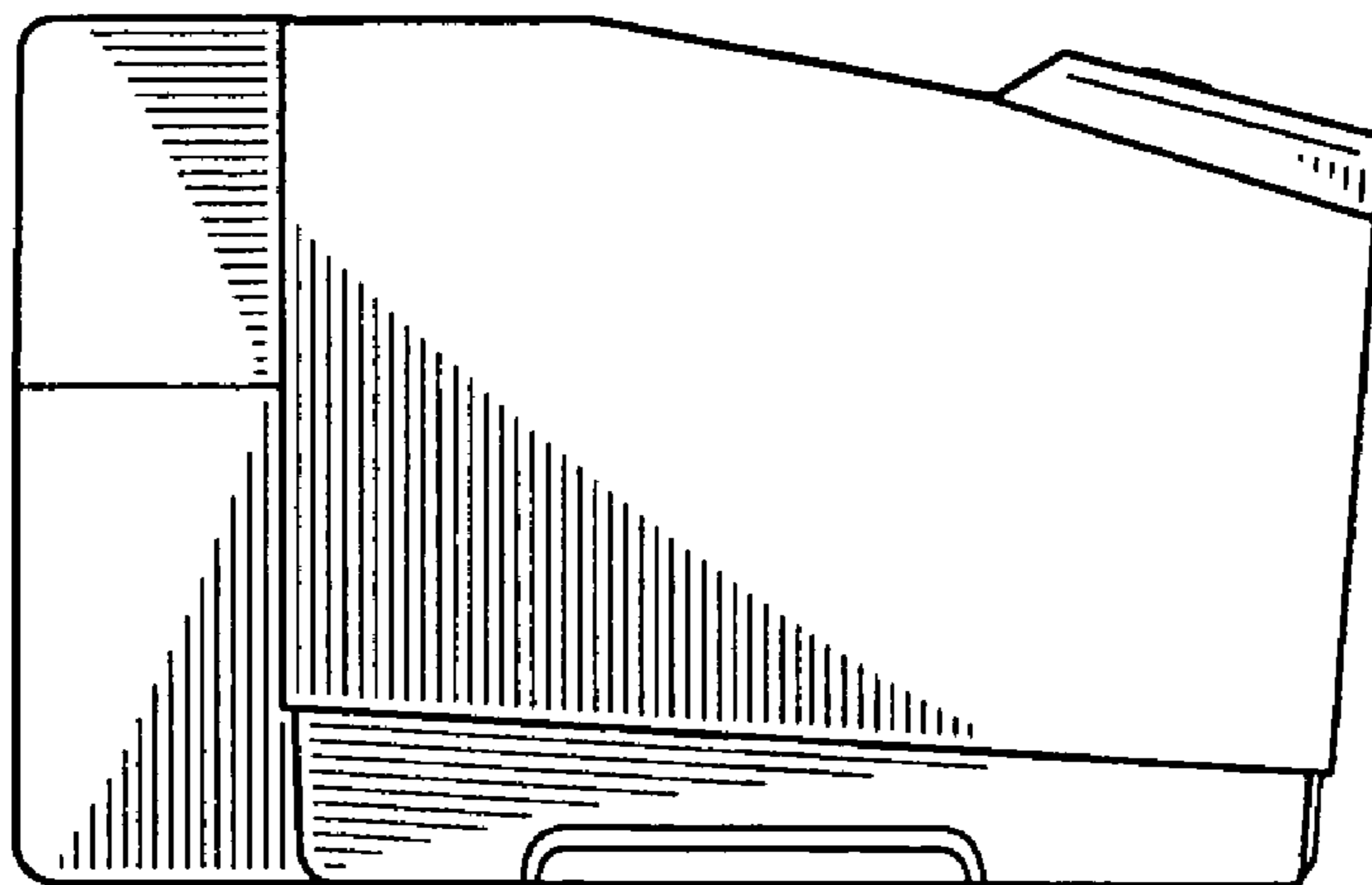


FIG. 4

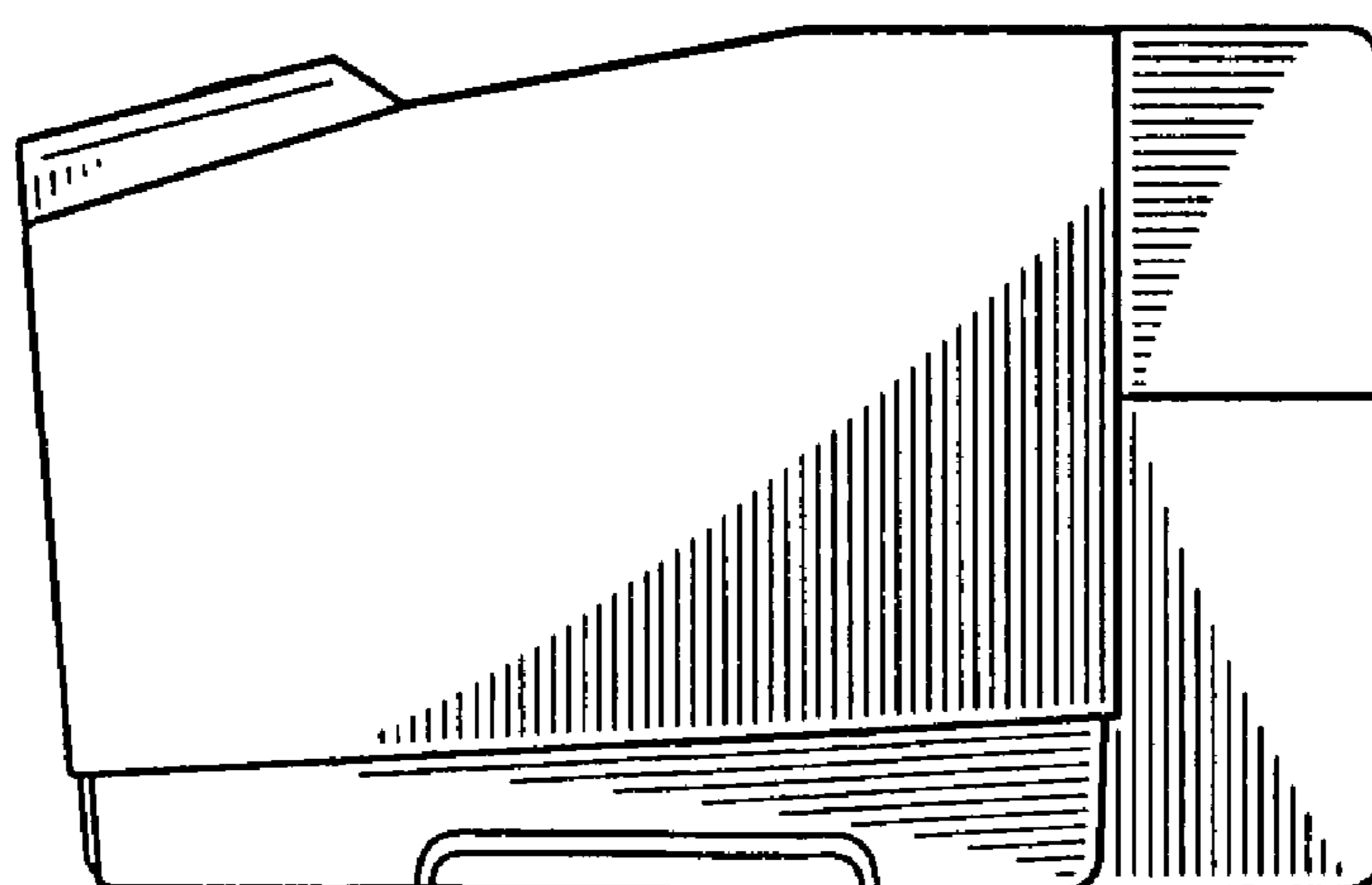


FIG. 5

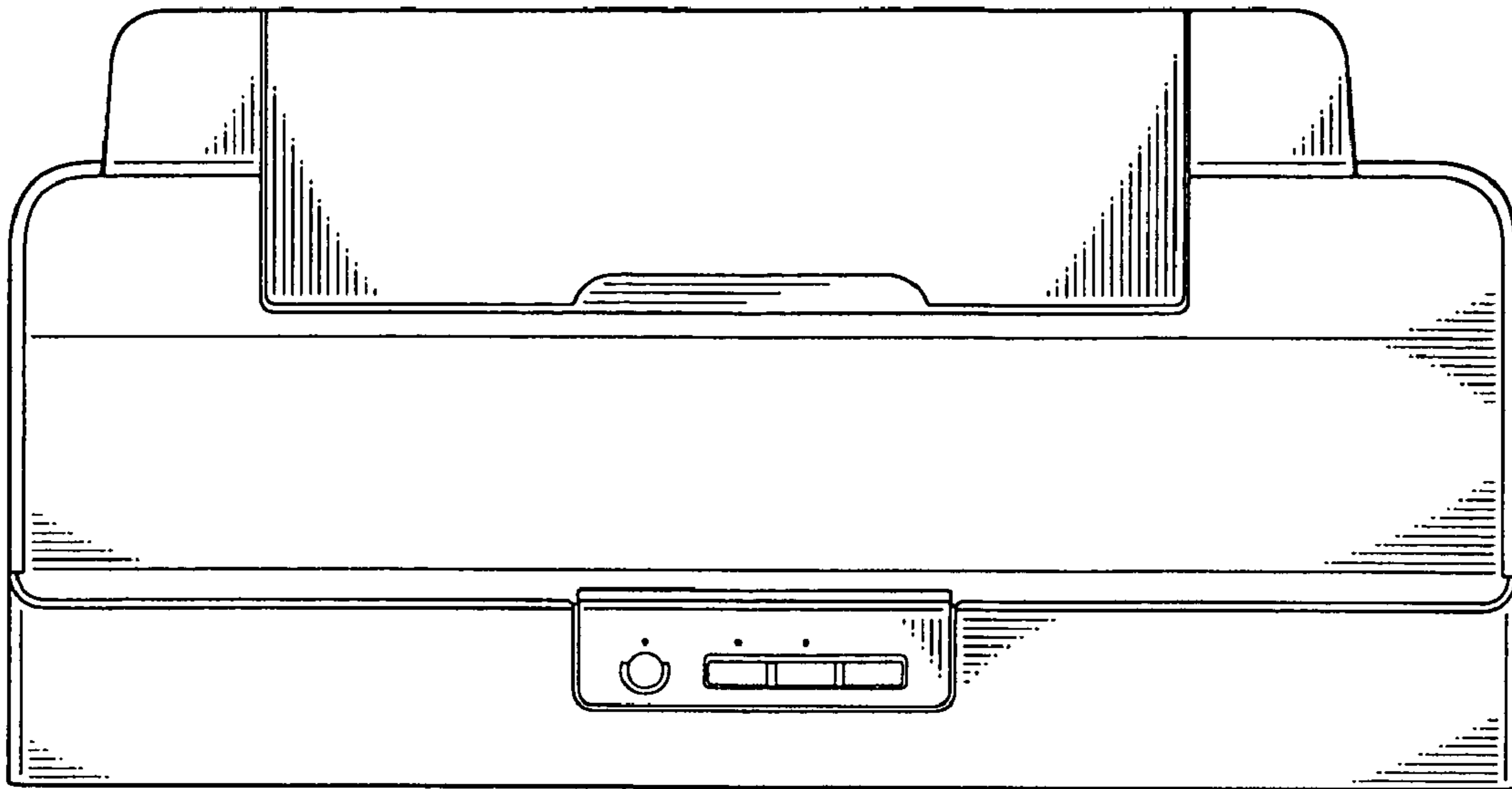


FIG. 6

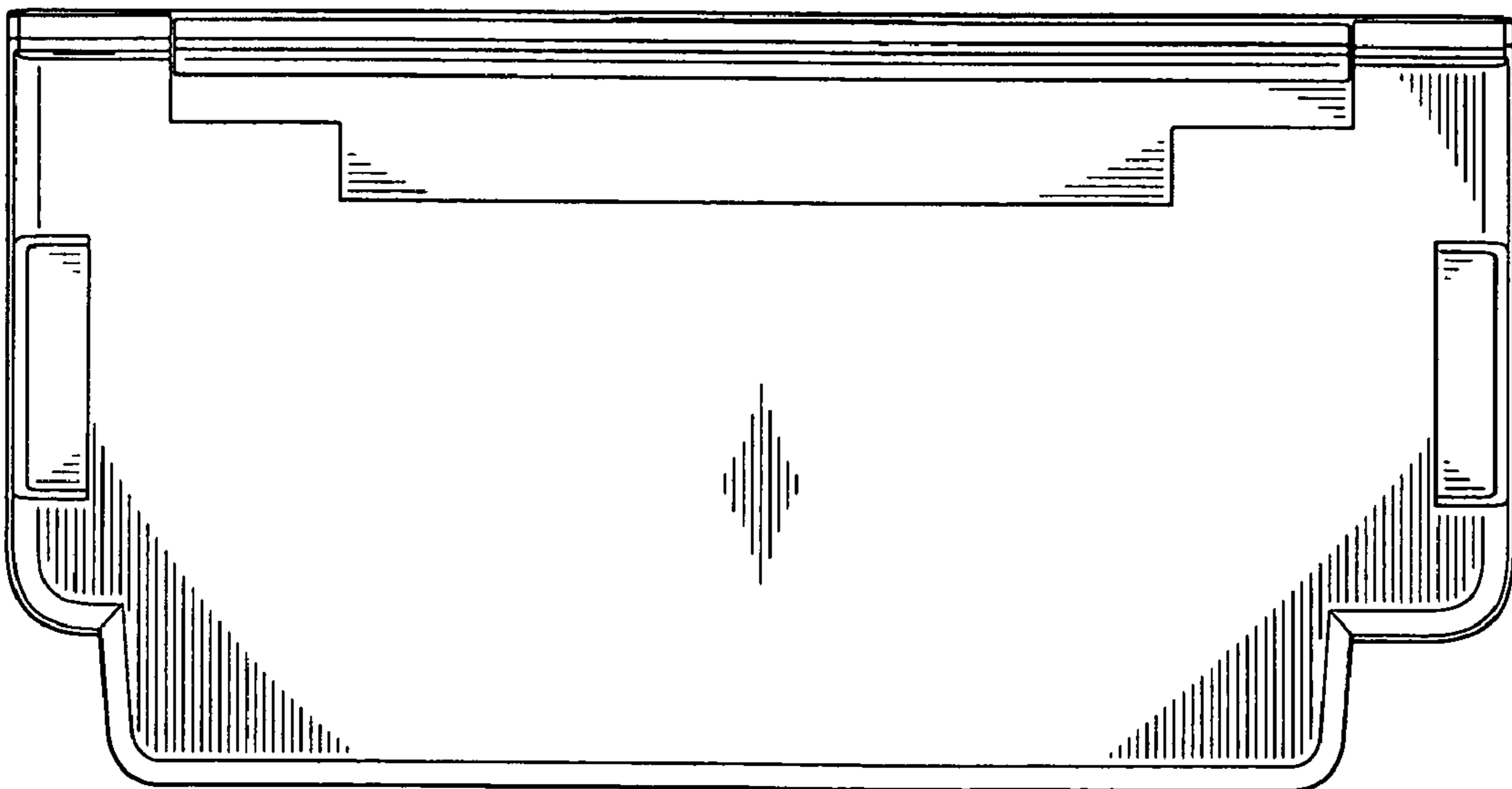


FIG. 7

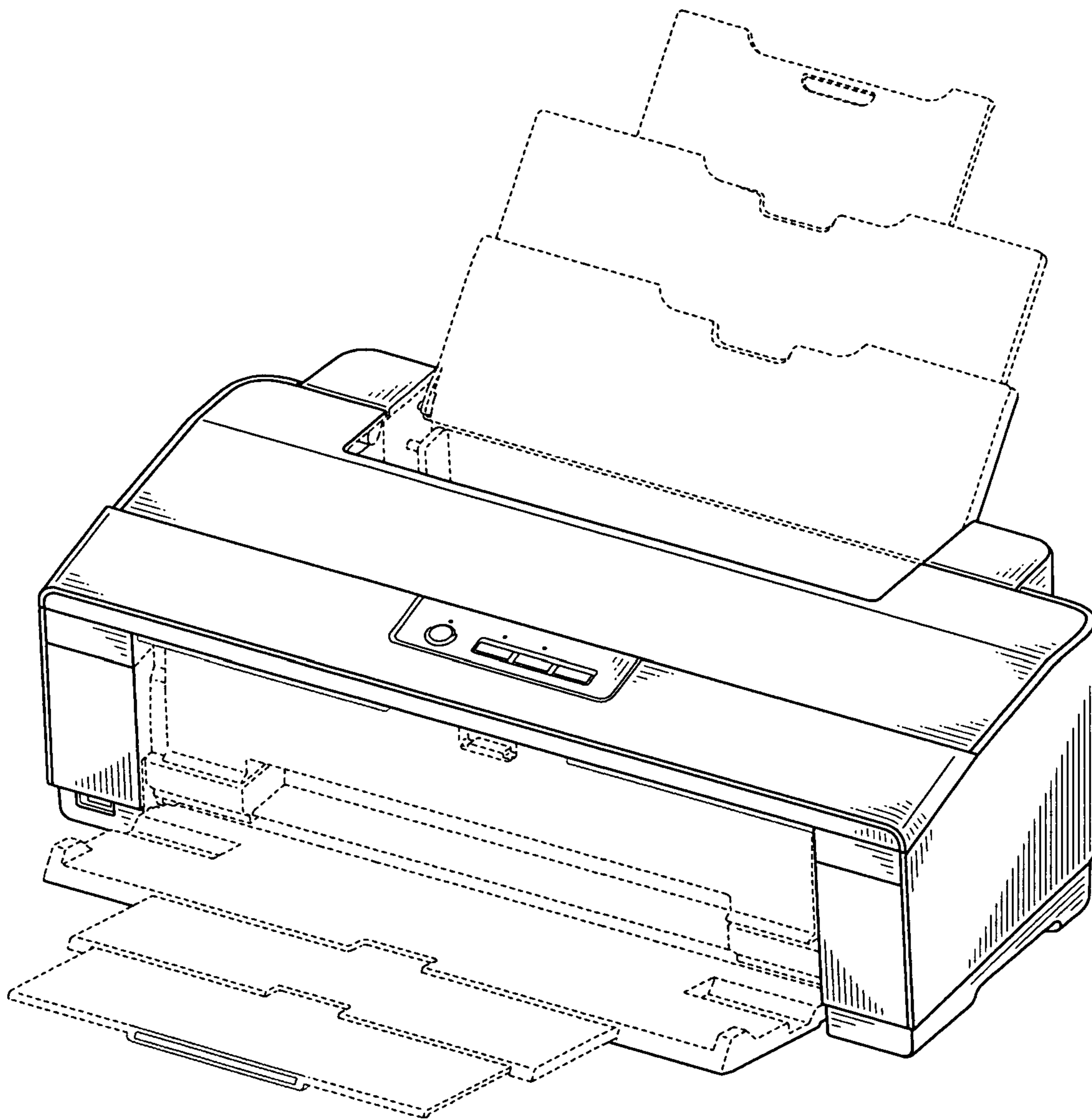


FIG. 8