



US00D603892S

(12) **United States Design Patent**  
**Davis**

(10) **Patent No.:** **US D603,892 S**

(45) **Date of Patent:** **\*\* Nov. 10, 2009**

(54) **MUSIC SHEET SCROLLING APPARATUS**

(76) **Inventor:** **Glen Davis**, 383 Jefferson Ct., Vernon Hills, IL (US) 60061

(\*\*) **Term:** **14 Years**

(21) **Appl. No.:** **29/329,103**

(22) **Filed:** **Dec. 9, 2008**

(51) **LOC (9) Cl.** ..... **17-99**

(52) **U.S. Cl.** ..... **D17/99**

(58) **Field of Classification Search** ..... D17/99;  
84/453, 486, 487; D19/86; D20/21; 40/518;  
248/441.1, 444.1

See application file for complete search history.

(56) **References Cited**

**U.S. PATENT DOCUMENTS**

1,347,556	A *	7/1920	Russell	.....	84/487
2,485,802	A *	10/1949	Asachika	.....	40/518
3,224,127	A	12/1965	Hutterer		
3,665,093	A	5/1972	Machnac		
3,977,107	A *	8/1976	Warren	.....	40/518
3,991,498	A *	11/1976	Beach	.....	40/518
4,310,977	A *	1/1982	Swenson	.....	40/518
4,588,192	A *	5/1986	Laborde	.....	273/240
4,965,947	A *	10/1990	Zanetti	.....	40/471
5,373,772	A	12/1994	Shemoul		
D363,317	S *	10/1995	Sternberg et al.	.....	D21/334
5,515,631	A	5/1996	Nardy et al.		
5,942,706	A	8/1999	Leckie		

D428,044	S *	7/2000	Cullum, Jr.	.....	D17/99
D448,401	S *	9/2001	Isobe	.....	D17/99
D520,060	S *	5/2006	Kato	.....	D19/52
D527,037	S	8/2006	Berg		
D591,741	S *	5/2009	Whitehorn et al.	.....	D14/346
2005/0144820	A1 *	7/2005	O'Malley et al.	.....	40/524

\* cited by examiner

*Primary Examiner*—Ian Simmons

*Assistant Examiner*—R. Johnson

(74) *Attorney, Agent, or Firm*—Kyle Fletcher

(57) **CLAIM**

The ornamental design for the music sheet scrolling apparatus, as shown and described.

**DESCRIPTION**

FIG. 1 is a front view of the music sheet scrolling apparatus.

FIG. 2 is a rear view of the device.

FIG. 3 is a top view of the device.

FIG. 4 is a bottom view of the device.

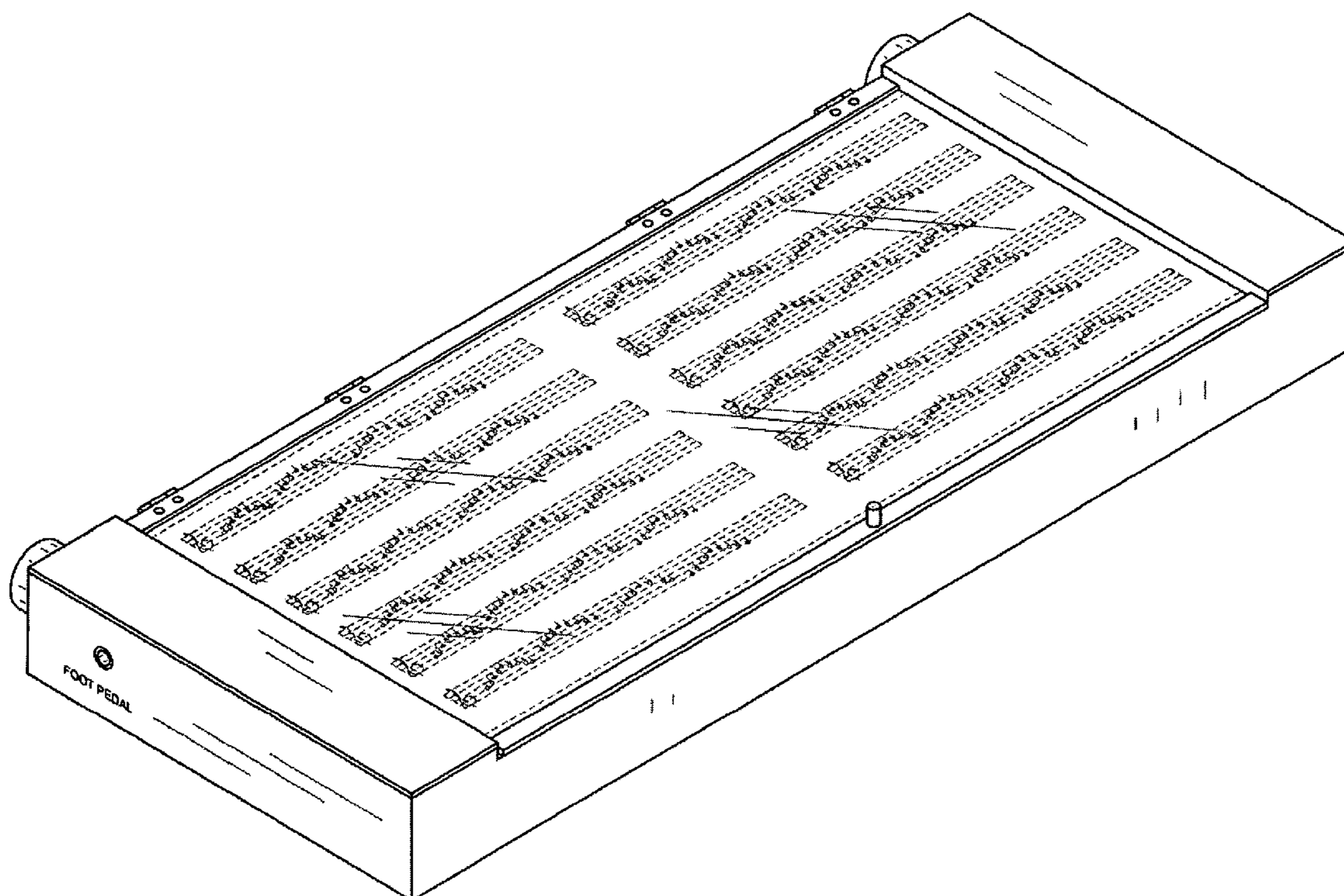
FIG. 5 is a left side view of the device.

FIG. 6 is a right side view of the device; and,

FIG. 7 is an isometric view of the device.

The broken lines in FIG. 7, indicating sheet music, illustrate environmental structure and form no part of the claimed design.

**1 Claim, 5 Drawing Sheets**



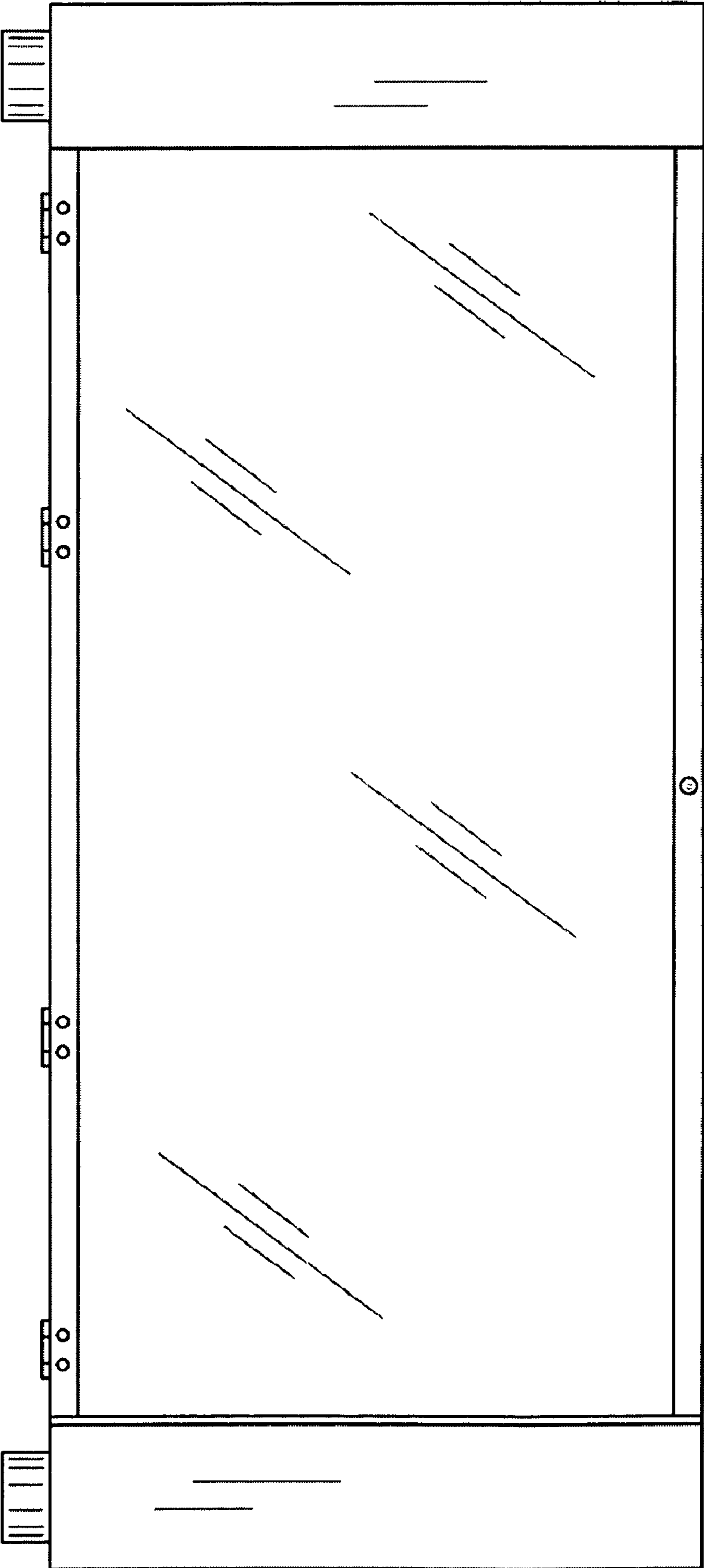


FIG. 1

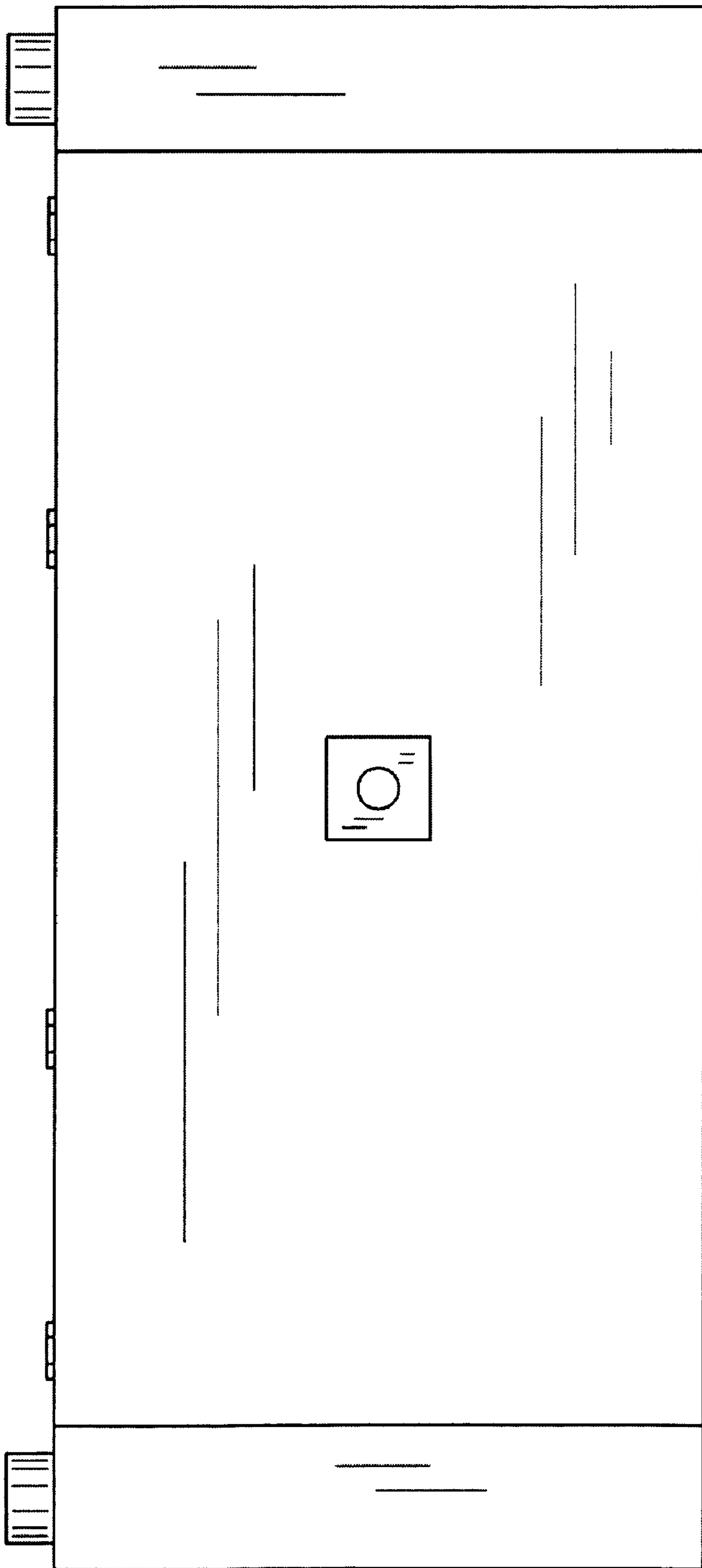


FIG. 2

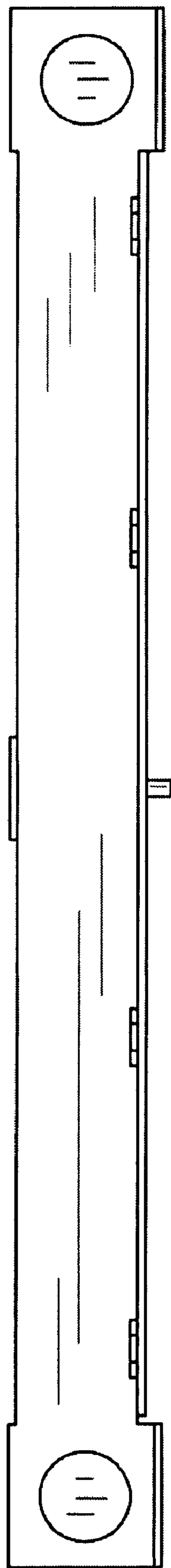


FIG. 3

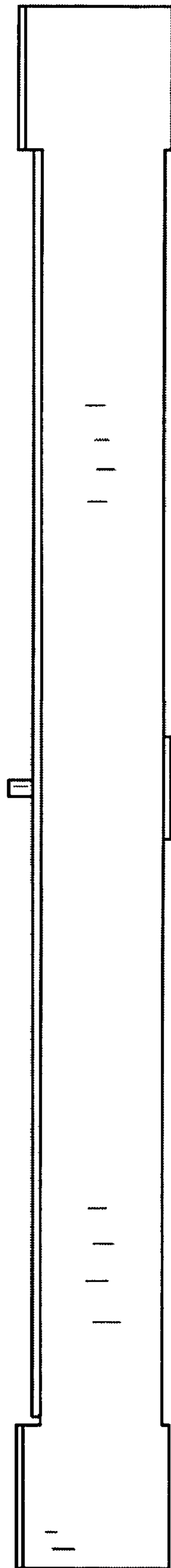


FIG. 4

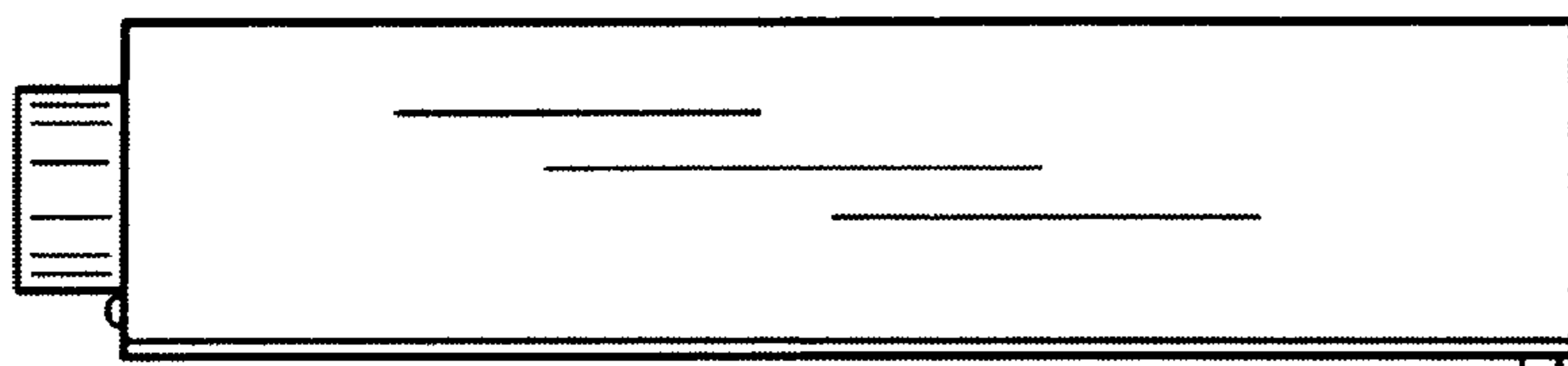


FIG. 6

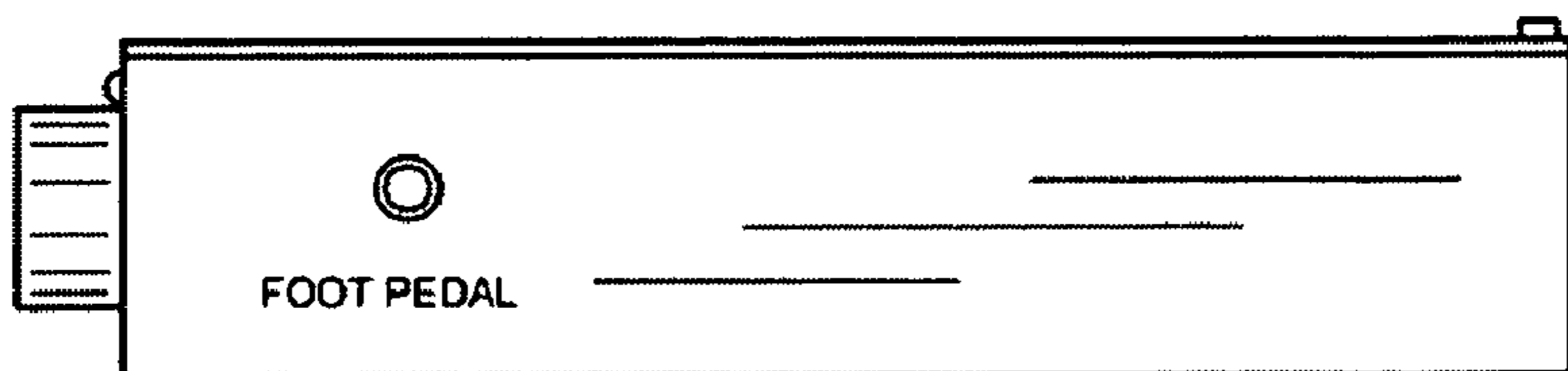


FIG. 5

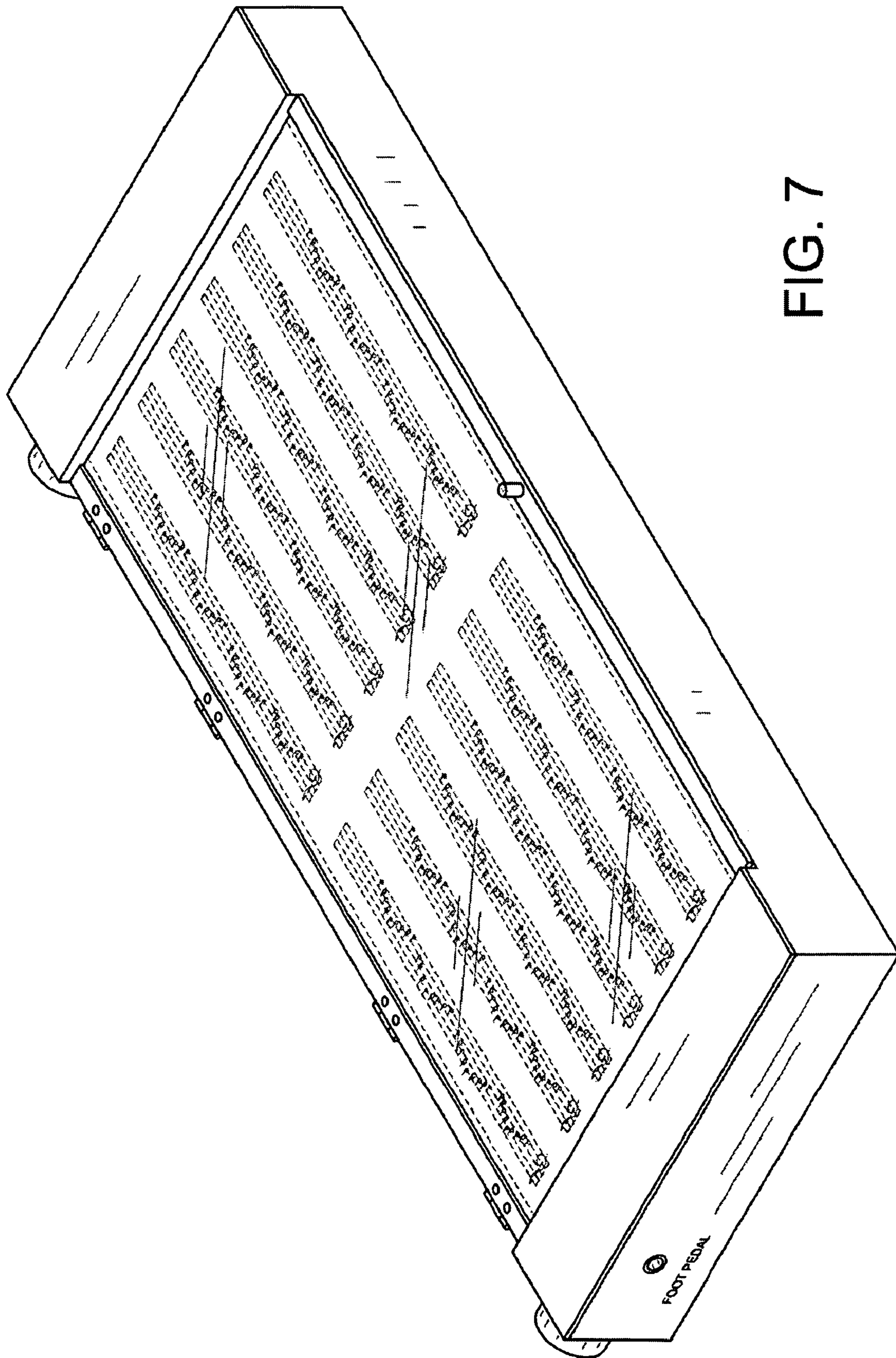


FIG. 7