



US00D603889S

(12) **United States Design Patent**
Sukenari et al.

(10) **Patent No.:** **US D603,889 S**

(45) **Date of Patent:** **** Nov. 10, 2009**

(54) **IMAGE PICKUP APPARATUS**

(75) Inventors: **Kazuhiro Sukenari**, Nagoya (JP);
Shuntaro Hayashi, Chita (JP); **Shinji Ono**, Nagoya (JP); **Tetsuro Kato**, Nagoya (JP)

(73) Assignee: **Elmo Co., Ltd.**, Aichi (JP)

(**) Term: **14 Years**

(21) Appl. No.: **29/291,887**

(22) Filed: **Sep. 19, 2007**

(30) **Foreign Application Priority Data**

Mar. 22, 2007 (JP) D2007-007215

(51) **LOC (9) Cl.** **16-02**

(52) **U.S. Cl.** **D16/232; D14/423**

(58) **Field of Classification Search** D16/200,
D16/203, 208, 221, 225, 229, 232; D14/423;
353/119, 112, DIG. 3, DIG. 4, 120, DIG. 6;
348/373-376, 146

See application file for complete search history.

(56) **References Cited**

U.S. PATENT DOCUMENTS

- D376,586 S * 12/1996 Shinano D14/423
- D397,709 S * 9/1998 Park et al. D16/232
- D401,953 S * 12/1998 Oh et al. D16/232
- D401,954 S * 12/1998 Oh et al. D16/232
- D425,098 S * 5/2000 Oh D16/232
- D476,008 S * 6/2003 Adachi et al. D14/423

- D498,782 S * 11/2004 Ooshima D16/235
- D569,890 S * 5/2008 Sukenari et al. D16/232
- 2007/0146654 A1 * 6/2007 Sukenari et al. 353/120
- 2007/0165135 A1 * 7/2007 Sukenari et al. 348/373

FOREIGN PATENT DOCUMENTS

JP 1277223 7/2006

* cited by examiner

Primary Examiner—Ian Simmons

Assistant Examiner—Wan Laymon

(74) *Attorney, Agent, or Firm*—William L. Androlia; H. Henry Koda

(57) **CLAIM**

The ornamental design for an image pickup apparatus, as shown and described.

DESCRIPTION

FIG. 1 is a front elevational view of the image pickup apparatus showing our new design;

FIG. 2 is a rear elevational view thereof;

FIG. 3 is a top plan view thereof

FIG. 4 is a bottom plan view thereof;

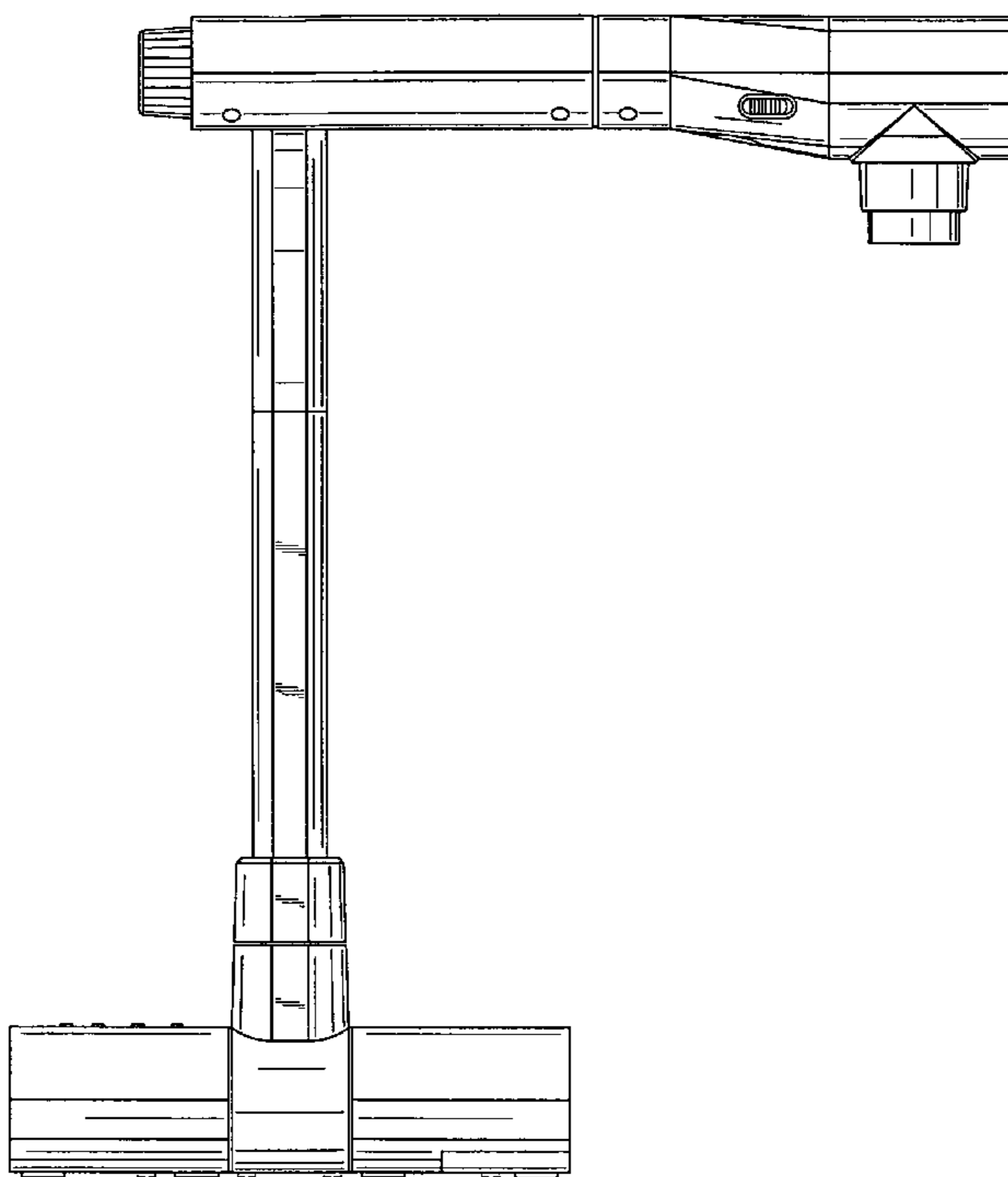
FIG. 5 is a right side elevational view thereof;

FIG. 6 is a left side elevational view thereof; and,

FIG. 7 is a perspective view thereof taken from the front, top and right side of the image pickup apparatus.

The portions shown in broken lines forms no part of the claimed ornamental design.

1 Claim, 7 Drawing Sheets



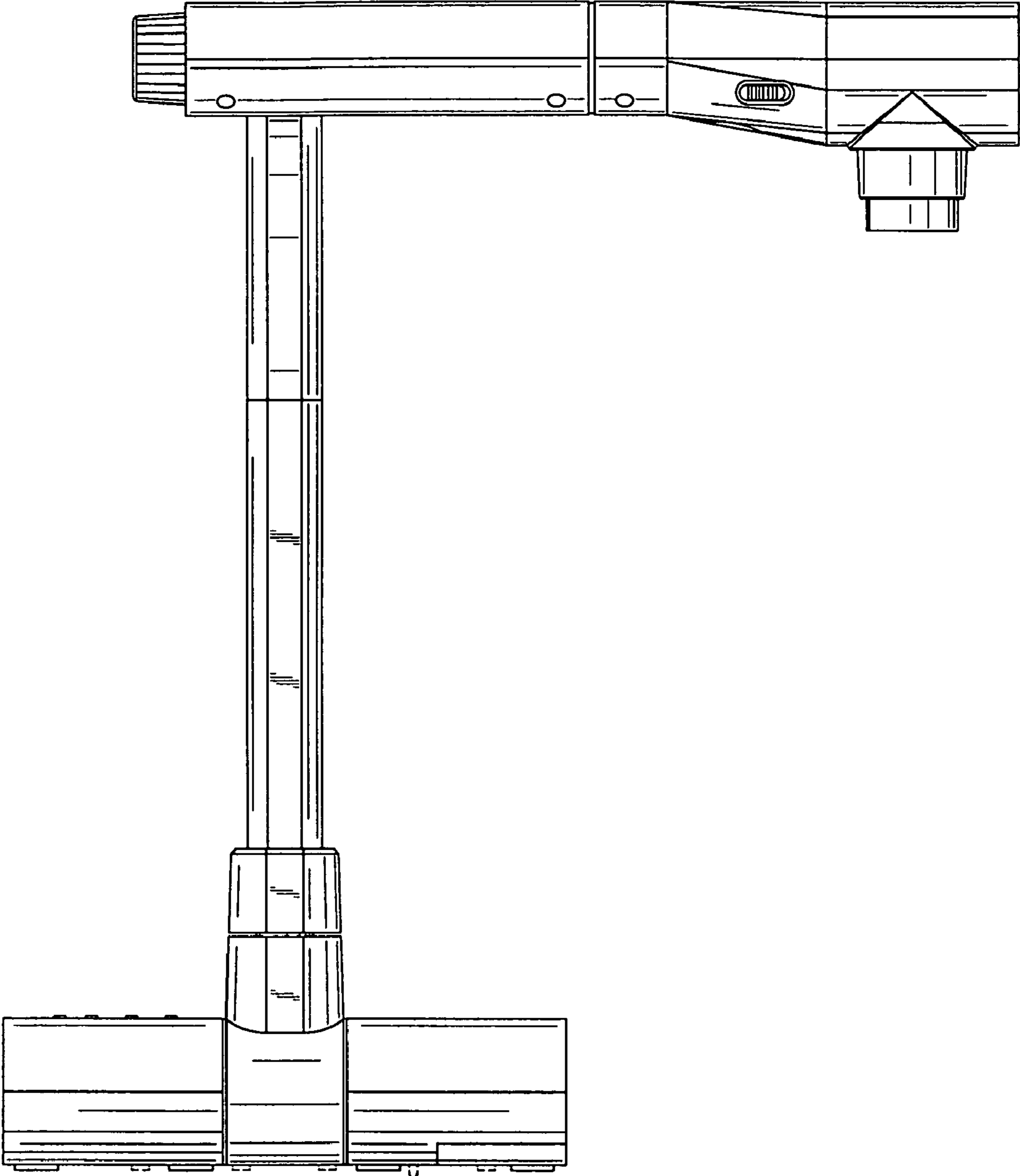


FIG. 1

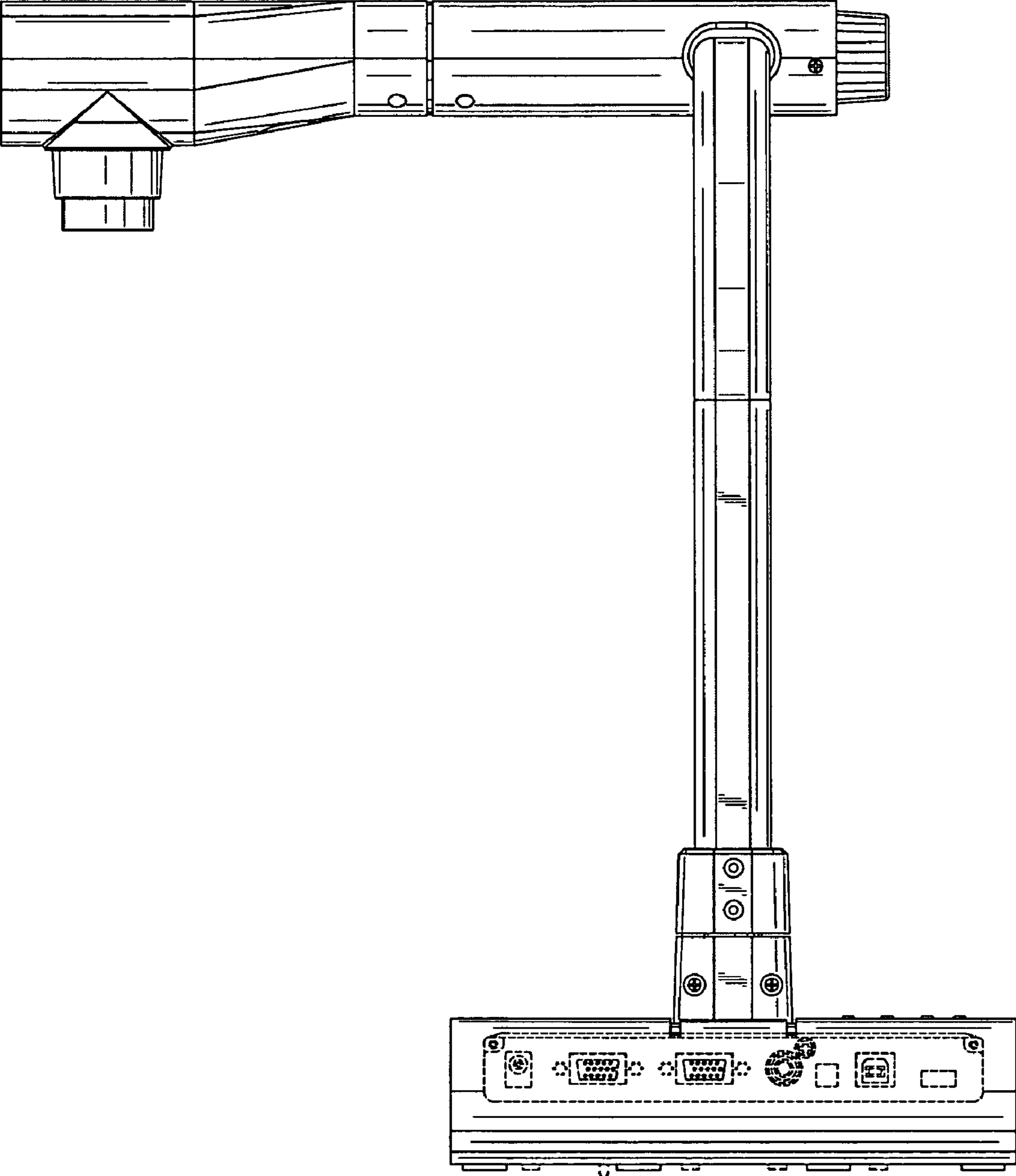


FIG. 2

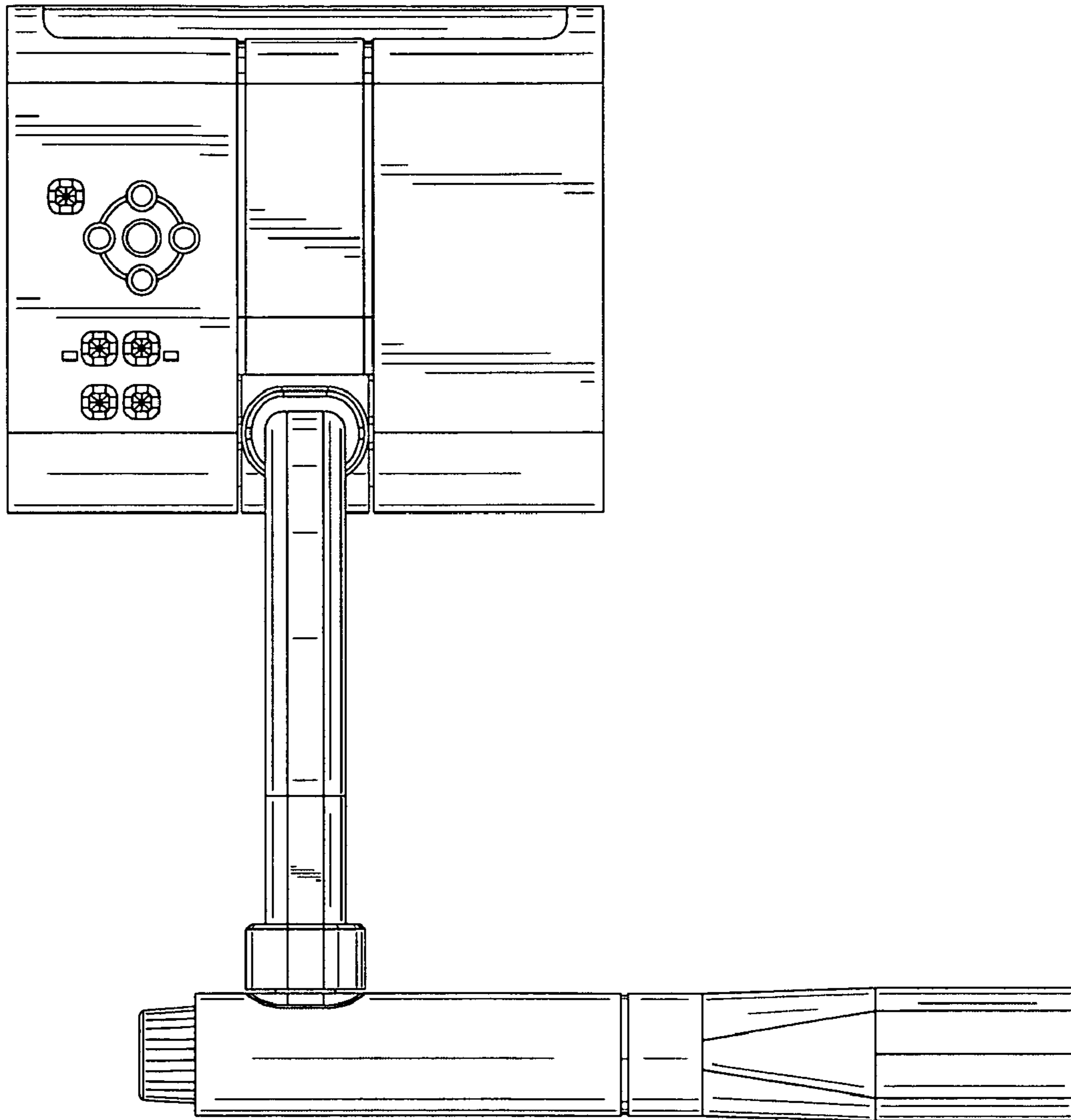


FIG. 3

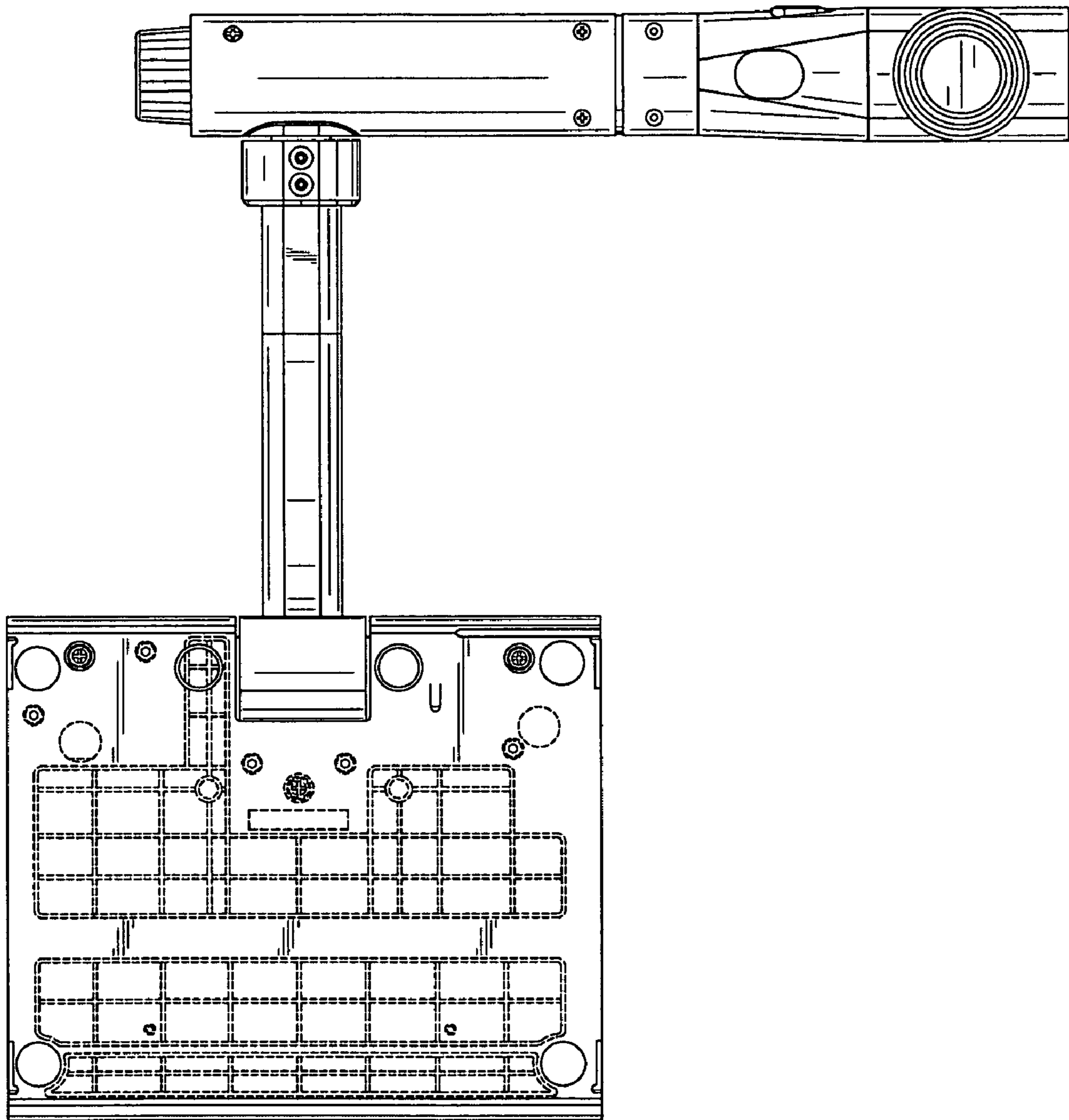


FIG. 4

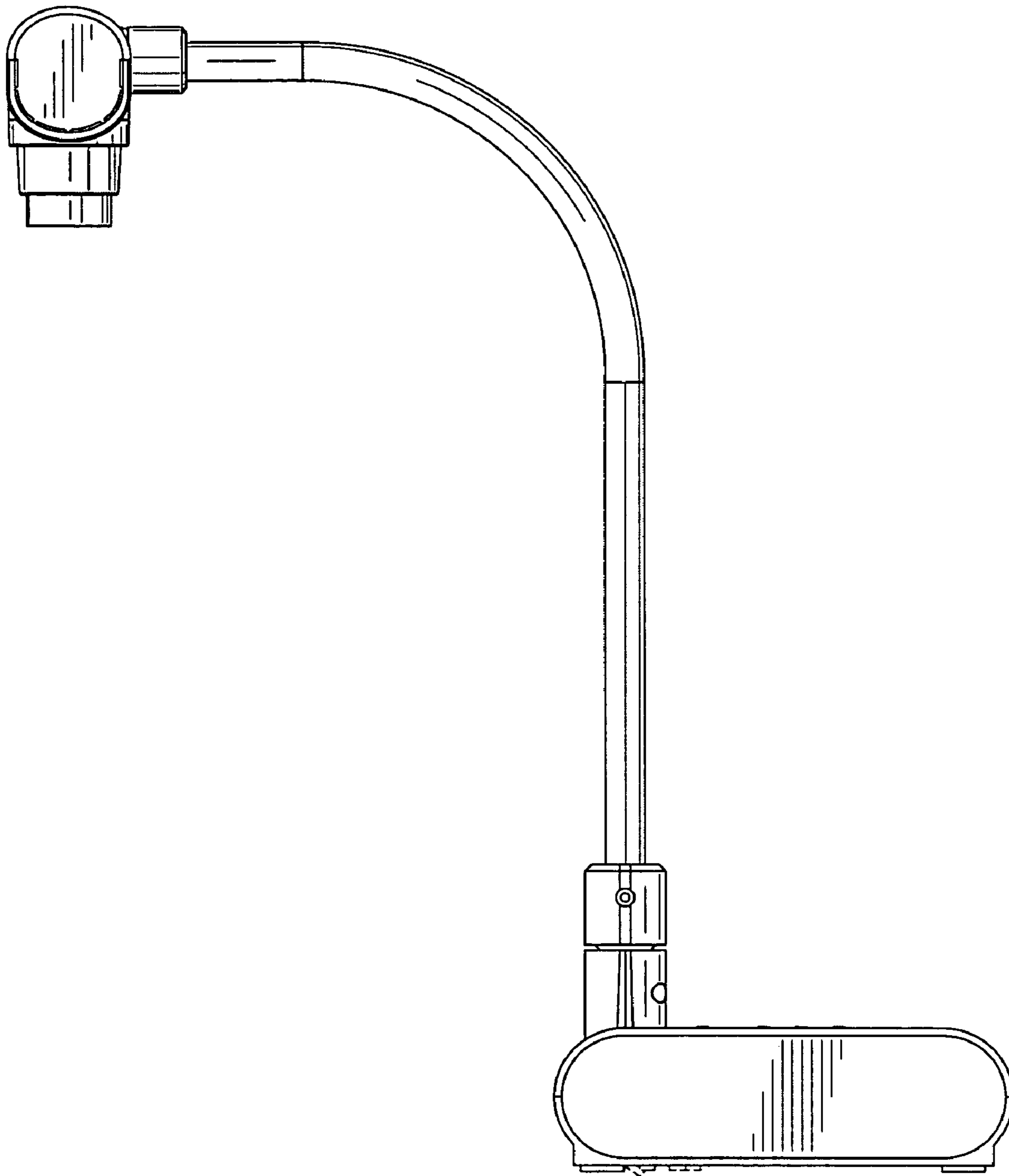


FIG. 5

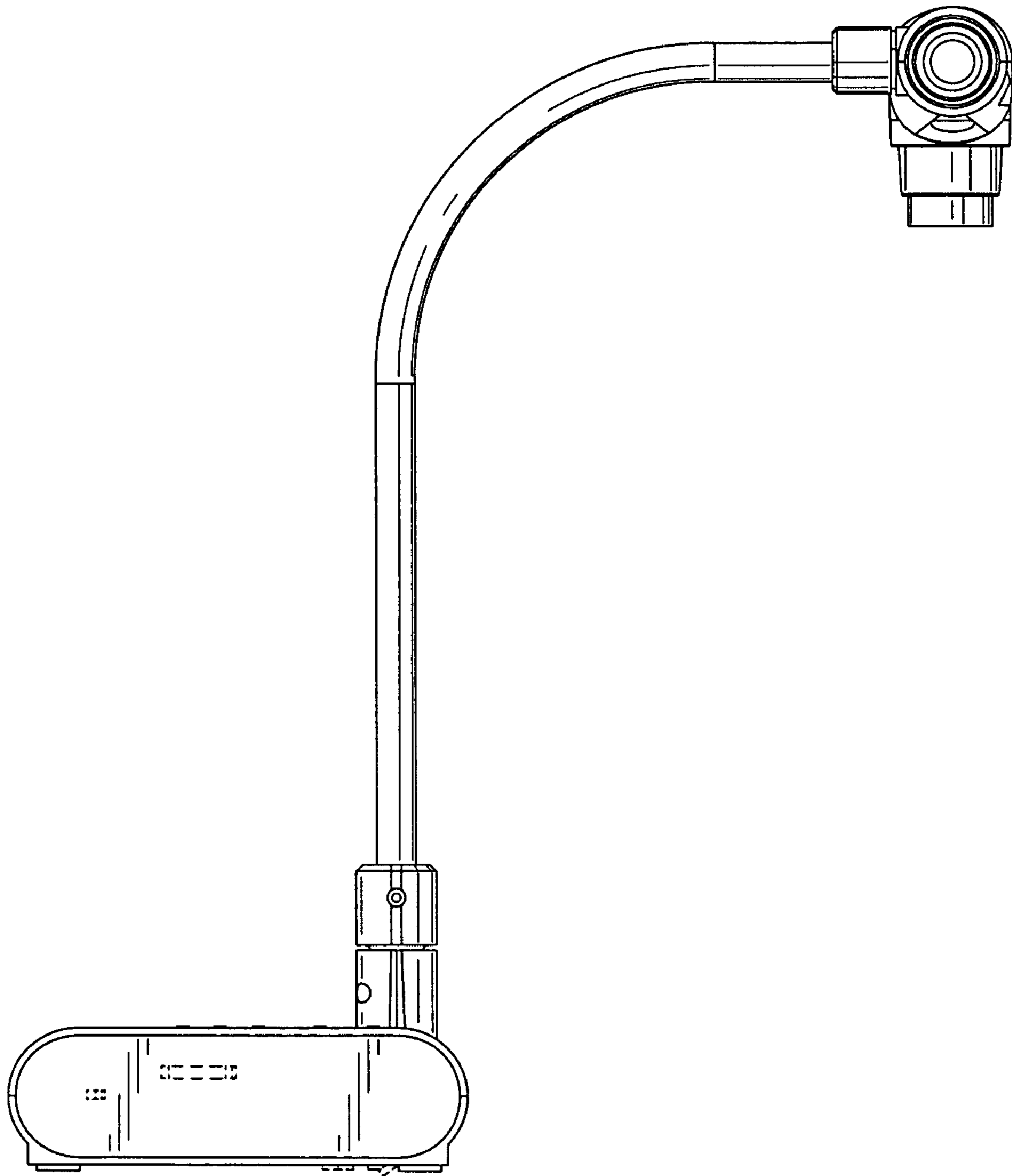


FIG. 6

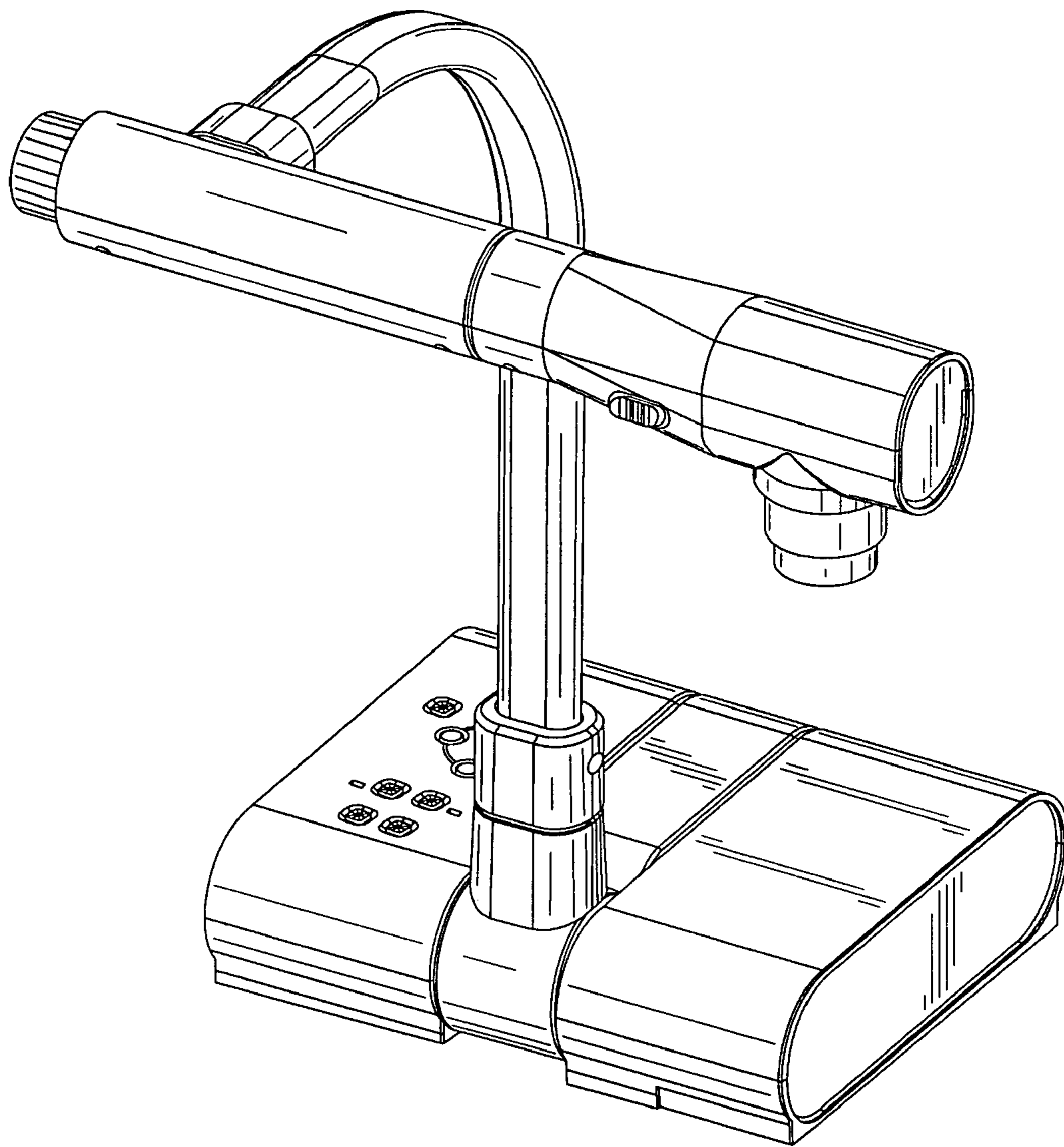


FIG. 7