



US00D603888S

(12) **United States Design Patent**  
**Isozaki et al.**

(10) **Patent No.:** **US D603,888 S**

(45) **Date of Patent:** **\*\* Nov. 10, 2009**

(54) **PHOTOGRAPHIC CAMERA**

(75) Inventors: **Makoto Isozaki**, Tokyo (JP); **Hiroshi Fukuda**, Tokyo (JP)

(73) Assignee: **Fujifilm Corporation**, Tokyo (JP)

(\*\*) Term: **14 Years**

(21) Appl. No.: **29/321,982**

(22) Filed: **Jul. 28, 2008**

(30) **Foreign Application Priority Data**

Jan. 28, 2008 (JP) ..... 2008-001574

(51) **LOC (9) Cl.** ..... **16-01**

(52) **U.S. Cl.** ..... **D16/211**

(58) **Field of Classification Search** ..... D16/200-204,  
D16/211, 218; 348/373; 396/30, 341, 535-541,  
396/544

See application file for complete search history.

(56) **References Cited**

**U.S. PATENT DOCUMENTS**

D141,846 S \* 7/1945 Israel ..... D16/211

2,741,961 A \* 4/1956 Anton ..... 396/544

3,151,536 A \* 10/1964 Raitt ..... 396/536

D244,685 S \* 6/1977 Hansen et al. .... D16/211

4,122,469 A \* 10/1978 Kindig et al. .... 396/30

4,122,472 A \* 10/1978 Ito et al. .... 396/30

D254,136 S \* 2/1980 Stemme et al. .... D16/211

\* cited by examiner

*Primary Examiner*—Adir Aronovich

(74) *Attorney, Agent, or Firm*—Young & Thompson

(57) **CLAIM**

The ornamental design for a photographic camera, as shown and described.

**DESCRIPTION**

FIG. 1 is a top, front and right side perspective view of a photographic camera showing our new design;

FIG. 2 is a front elevational view thereof;

FIG. 3 is a rear elevational view thereof;

FIG. 4 is a top plan view thereof;

FIG. 5 is a bottom plan view thereof;

FIG. 6 is a left side elevational view thereof;

FIG. 7 is a right side elevational view thereof; and,

FIG. 8 is a top plan view thereof, the lens cover being retracted.

**1 Claim, 8 Drawing Sheets**

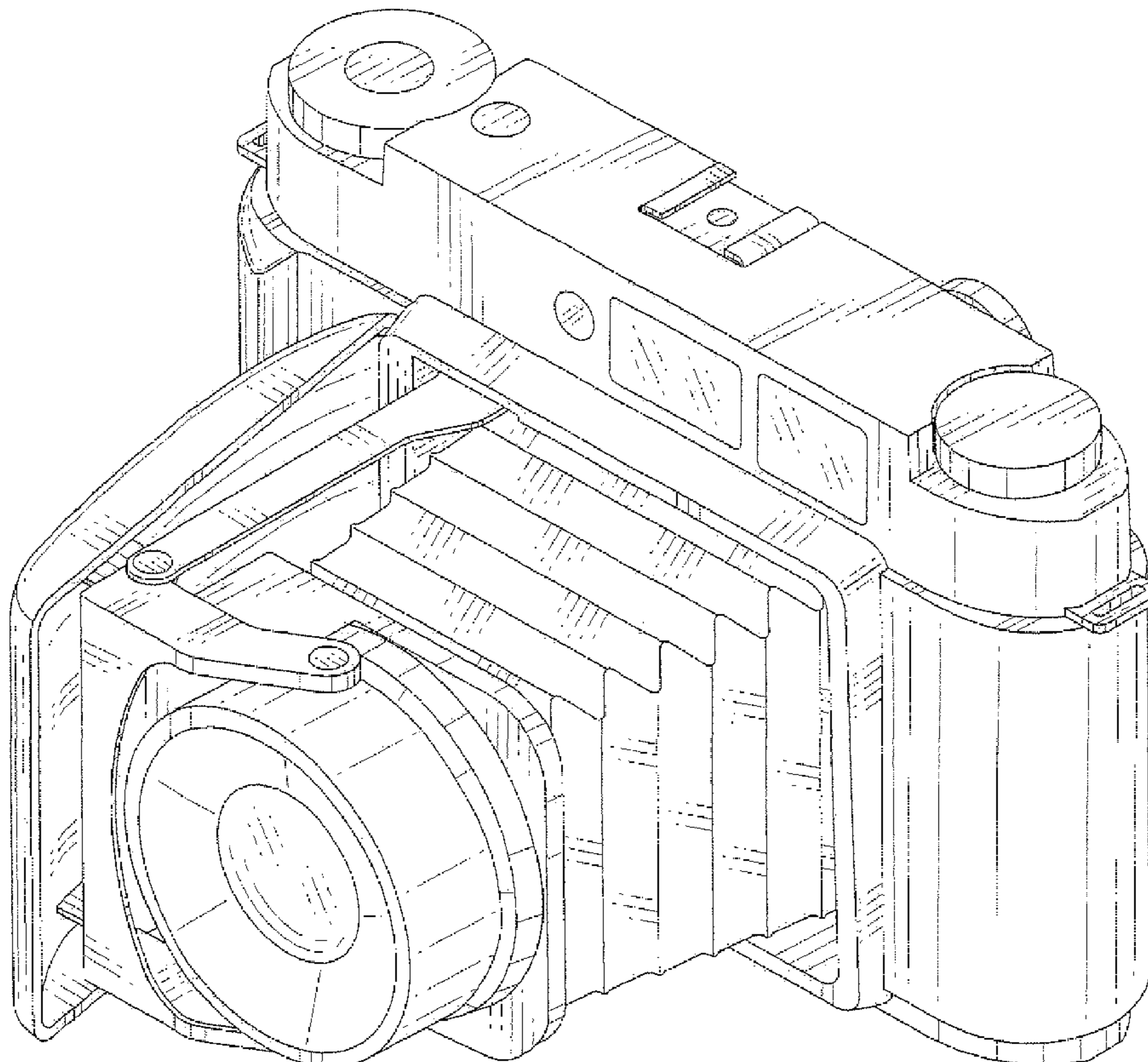


FIG. 1

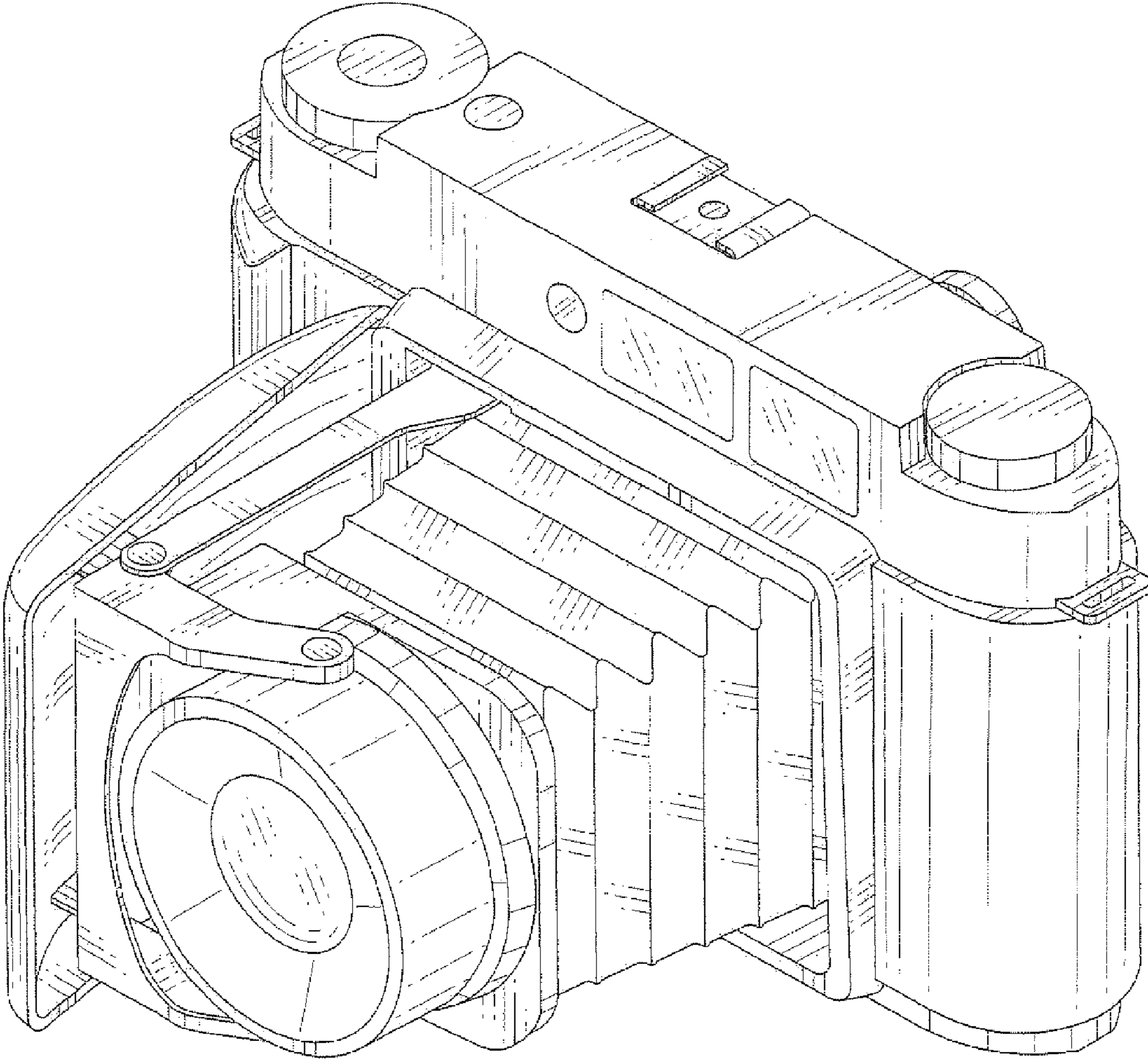


FIG. 2

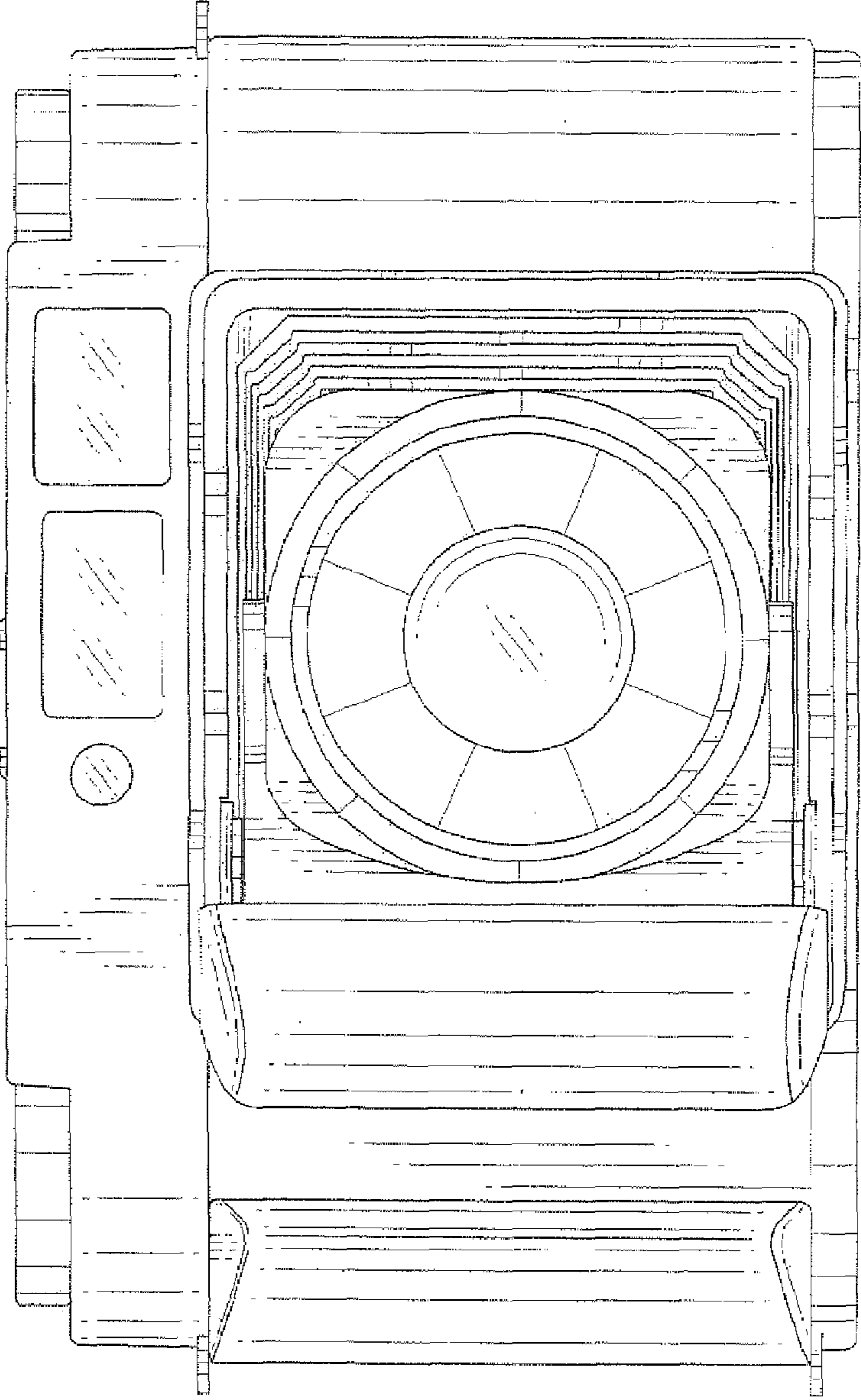


FIG. 3

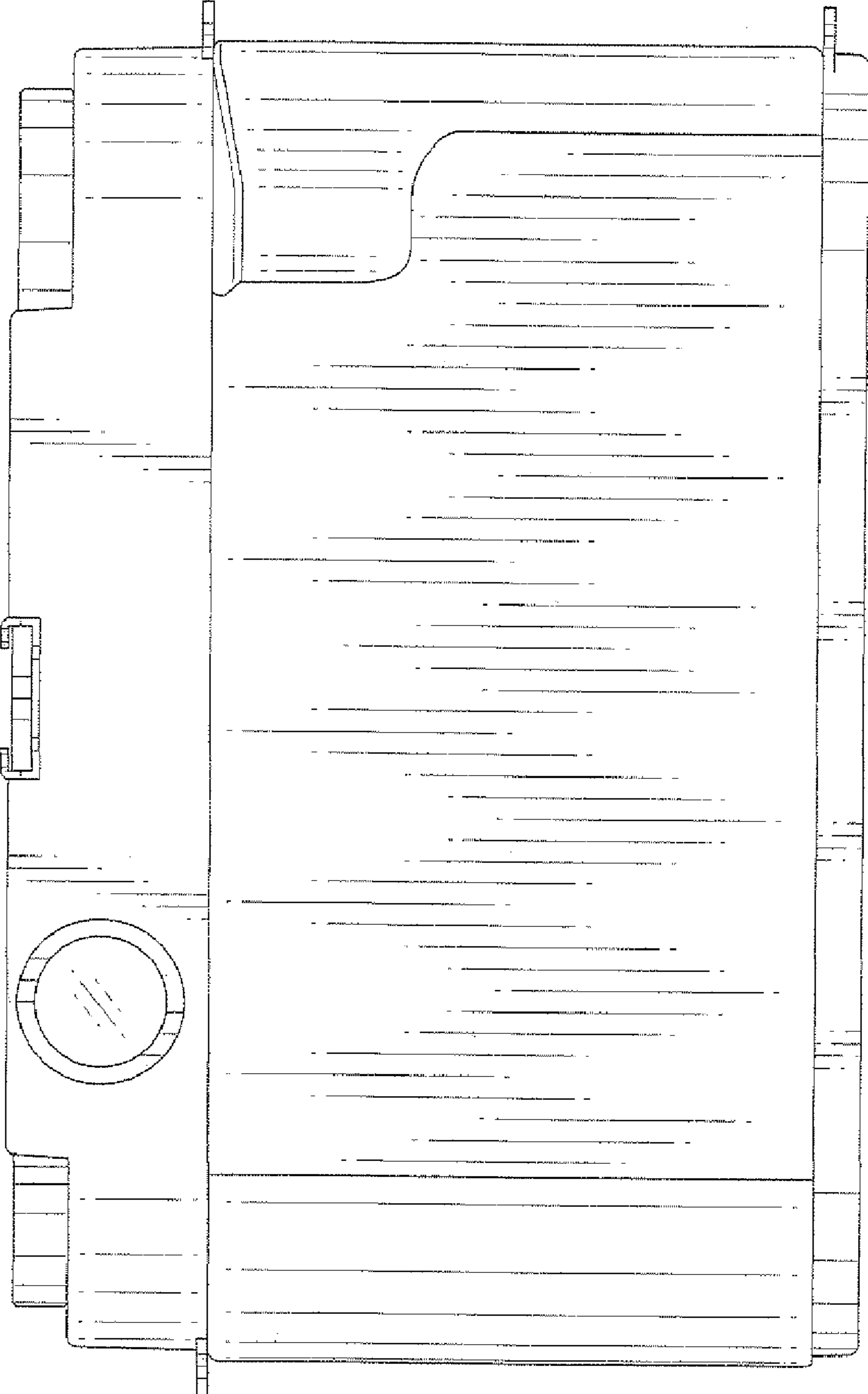


FIG. 4

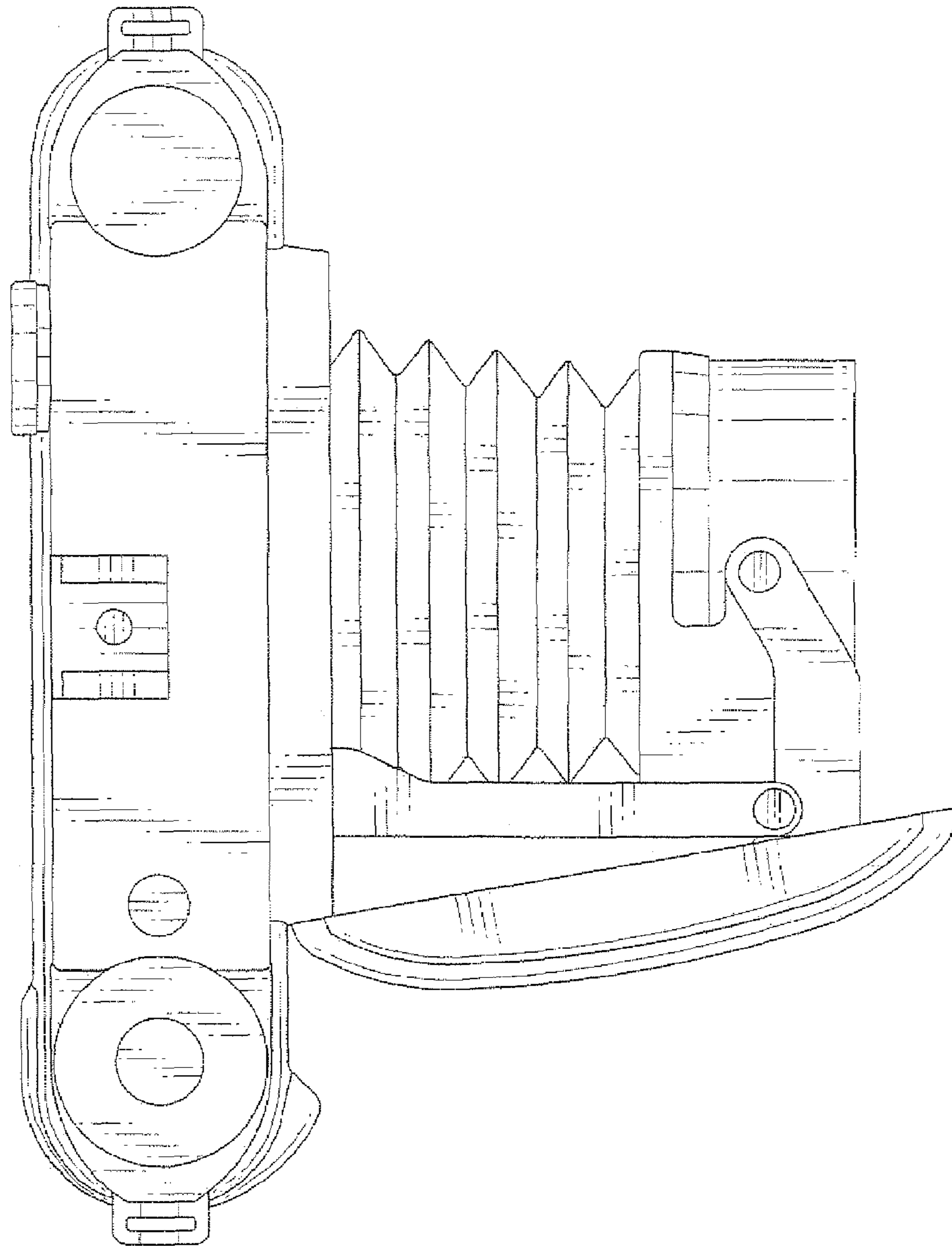


FIG. 5

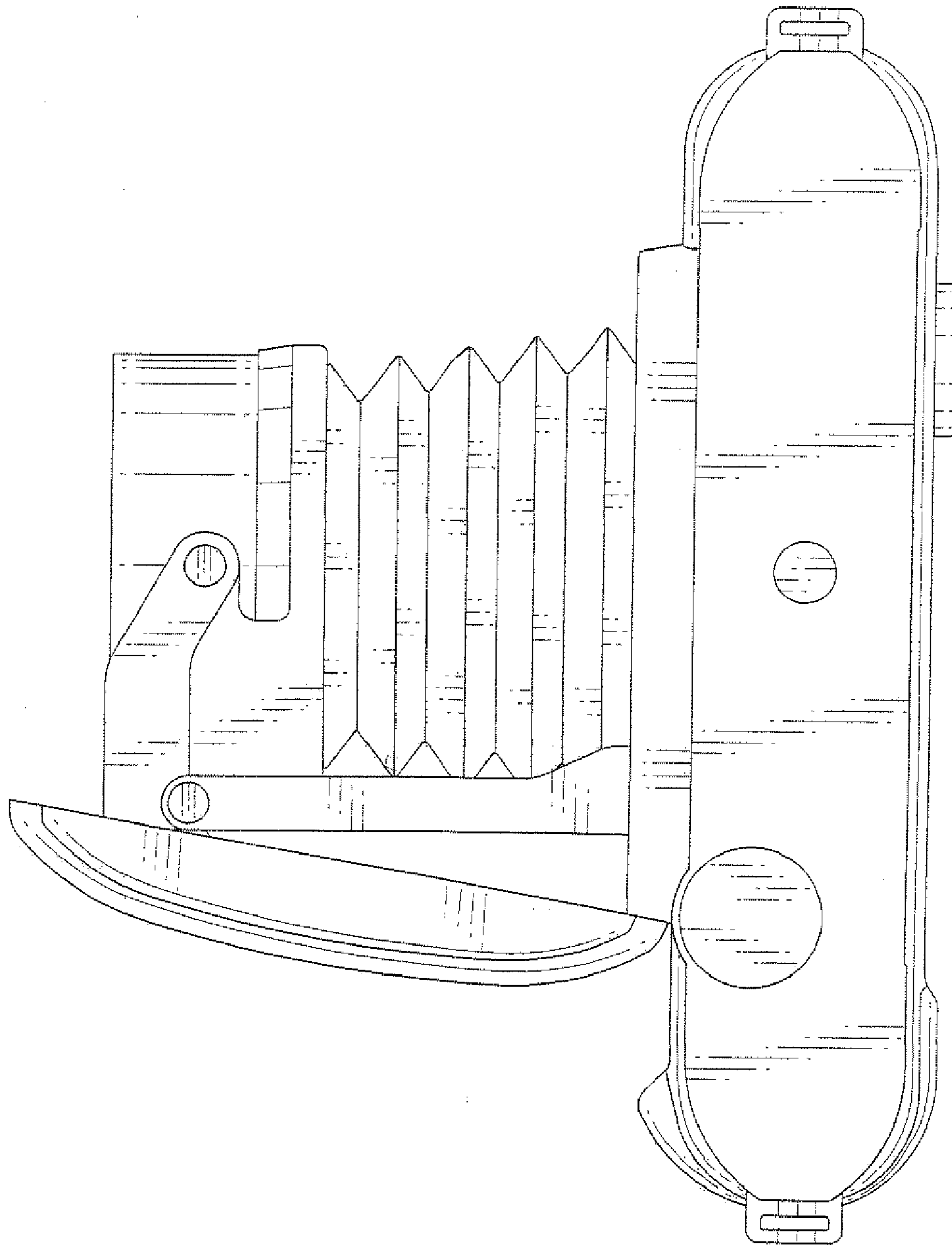


FIG. 6

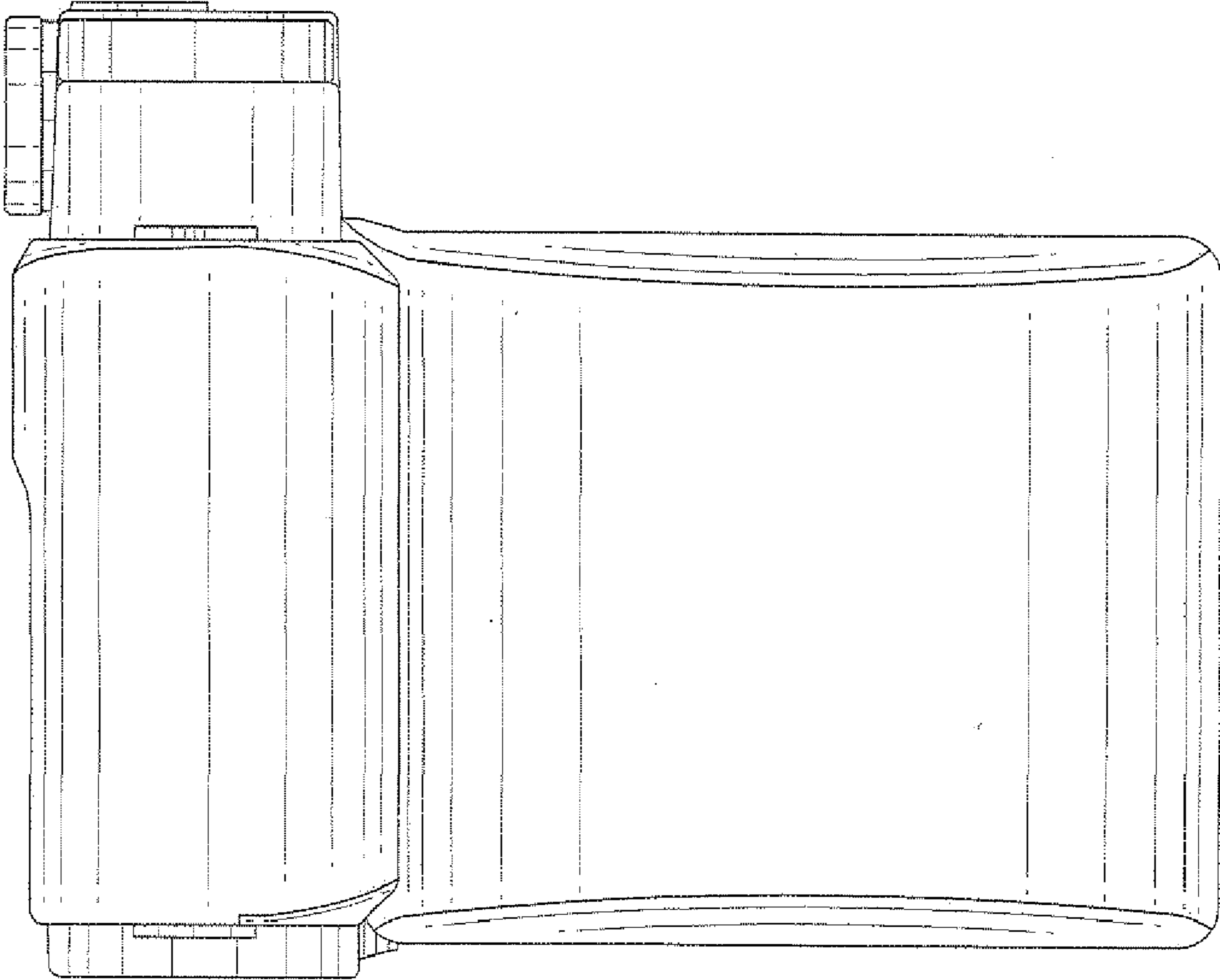


FIG. 7

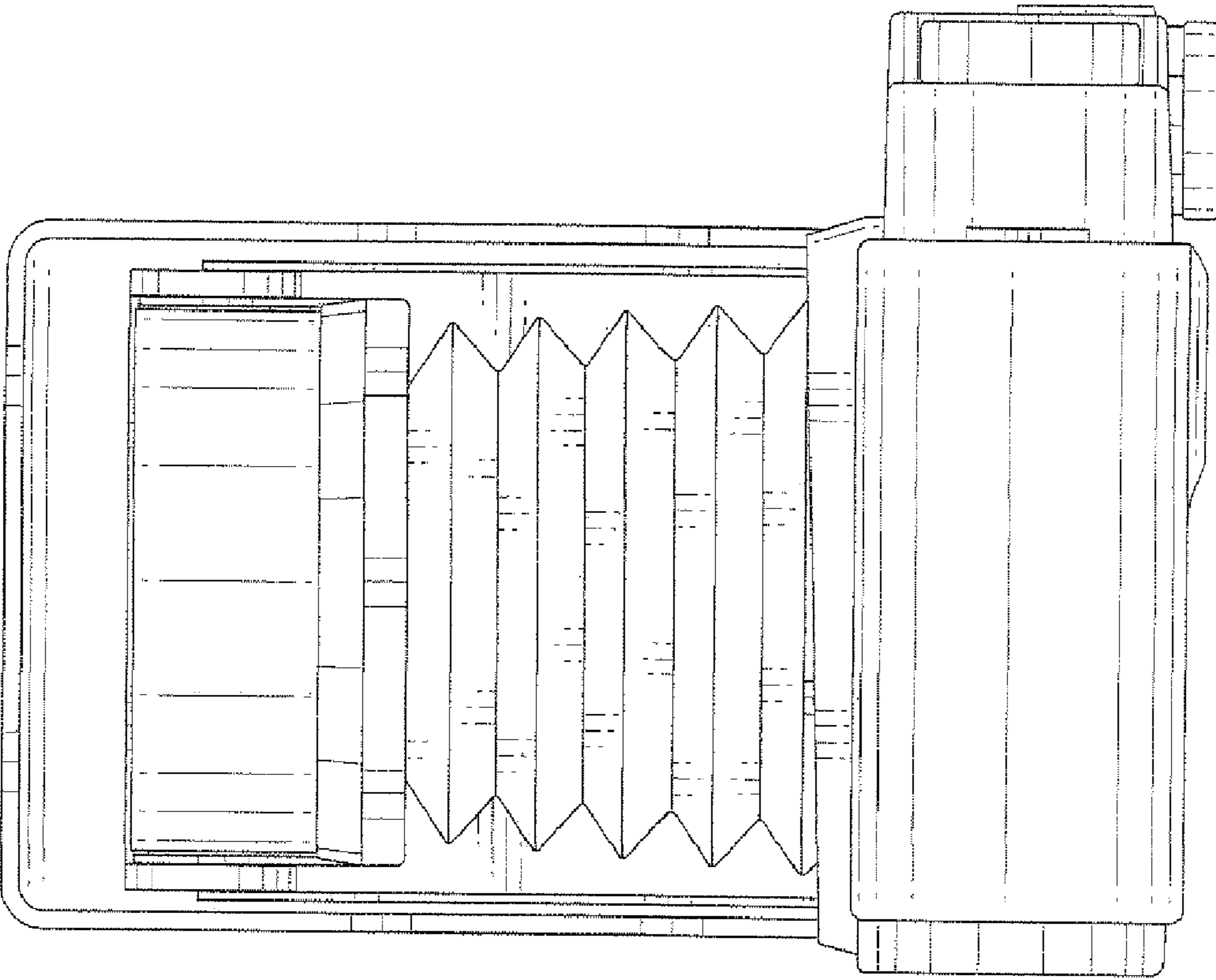




FIG. 8

