

US00D603886S

(12) **United States Design Patent**
Sakai

(10) **Patent No.:** **US D603,886 S**

(45) **Date of Patent:** **** Nov. 10, 2009**

(54) **ELECTRONIC CAMERA**

(75) Inventor: **Masayuki Sakai**, Tokyo (JP)

(73) Assignee: **Fujifilm Corporation**, Tokyo (JP)

(**) Term: **14 Years**

(21) Appl. No.: **29/321,701**

(22) Filed: **Jul. 22, 2008**

(30) **Foreign Application Priority Data**

Jan. 23, 2008 (JP) 2008-001253

(51) **LOC (9) Cl.** **16-01**

(52) **U.S. Cl.** **D16/202**

(58) **Field of Classification Search** D16/200-204,
D16/208, 209, 218; 348/373-376; 358/909.1;
396/535-541

See application file for complete search history.

(56) **References Cited**

U.S. PATENT DOCUMENTS

- D545,335 S * 6/2007 Kanno D16/218
- D547,343 S * 7/2007 Sato D16/202
- D558,246 S * 12/2007 Hayamizu D16/202
- D572,285 S * 7/2008 Kuroda D16/202

- D582,954 S * 12/2008 Imai D16/202
- 7,524,118 B2 * 4/2009 Maeda 396/349
- 2007/0212062 A1 * 9/2007 Saiki et al. 396/535

* cited by examiner

Primary Examiner—Adir Aronovich

(74) *Attorney, Agent, or Firm*—Young & Thompson

(57) **CLAIM**

The ornamental design for an electronic camera, as shown and described.

DESCRIPTION

FIG. 1 is a top, front and right side perspective view of an electronic camera showing my new design;

FIG. 2 is a front elevational view thereof;

FIG. 3 is a rear elevational view thereof;

FIG. 4 is a top plan view thereof;

FIG. 5 is a bottom plan view thereof;

FIG. 6 is a right side elevational view thereof;

FIG. 7 is a left side elevational view thereof; and,

FIG. 8 is a top, front and right side perspective view thereof, the lens cover being retracted.

1 Claim, 8 Drawing Sheets

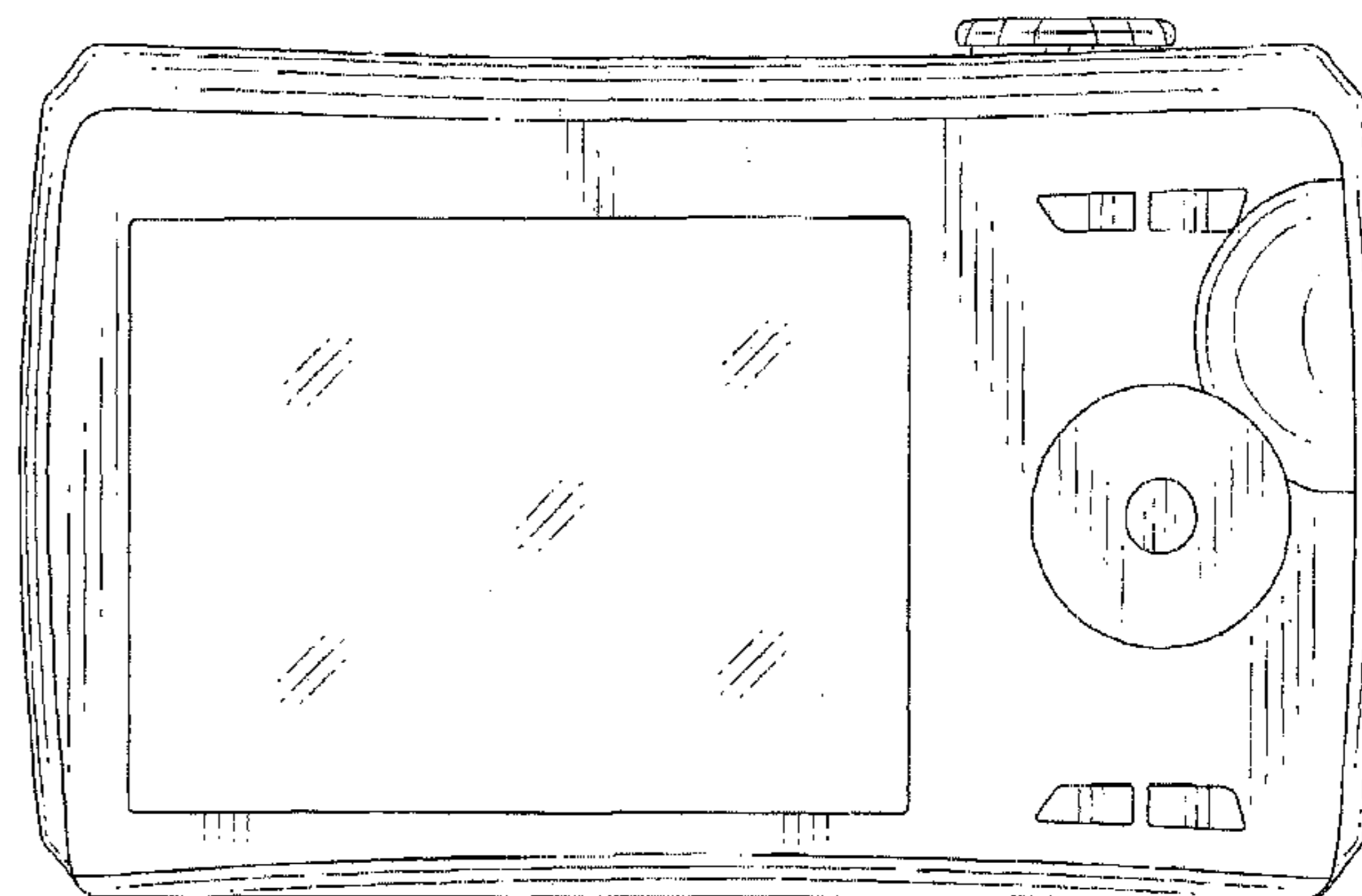
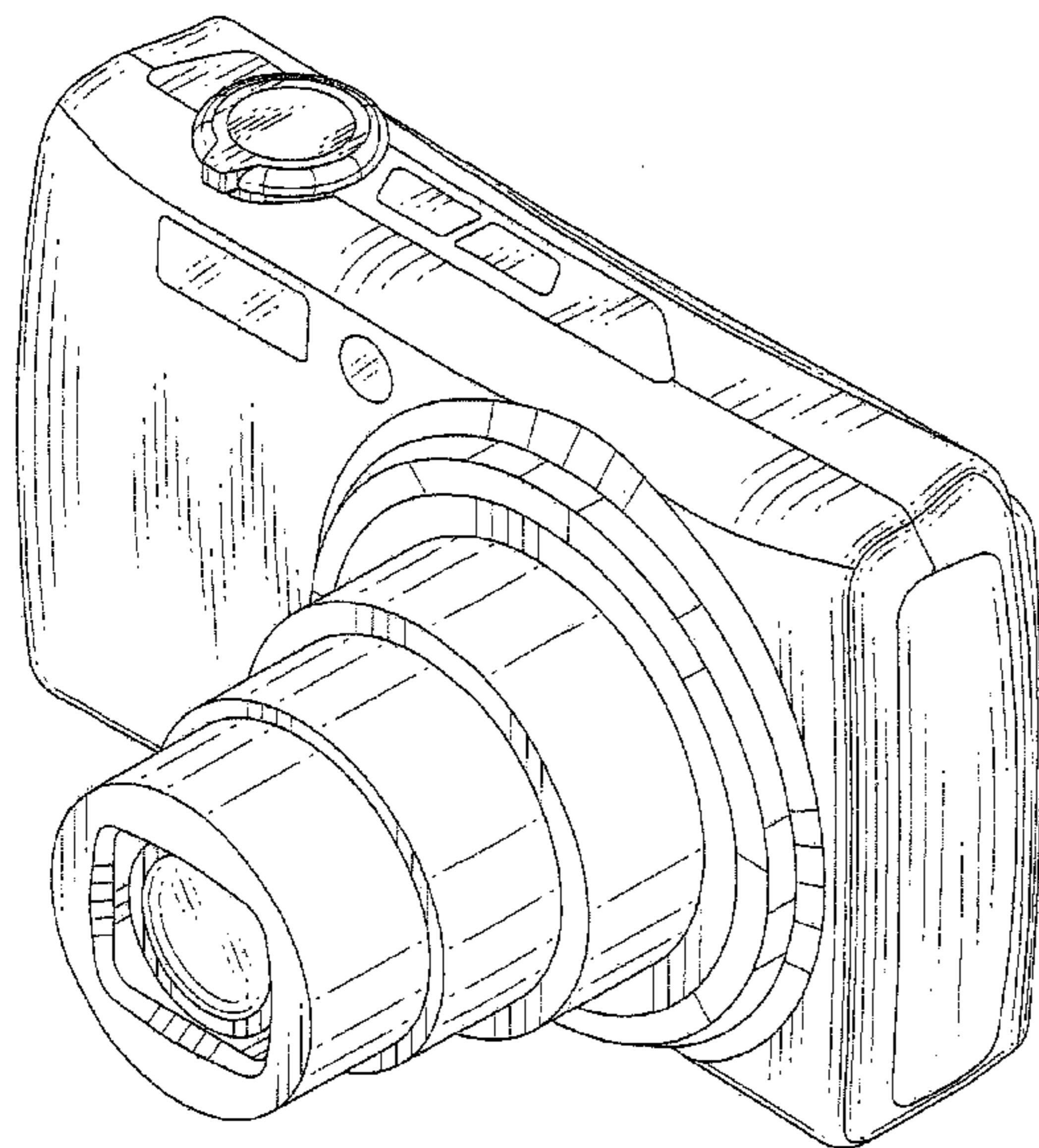


FIG. 1

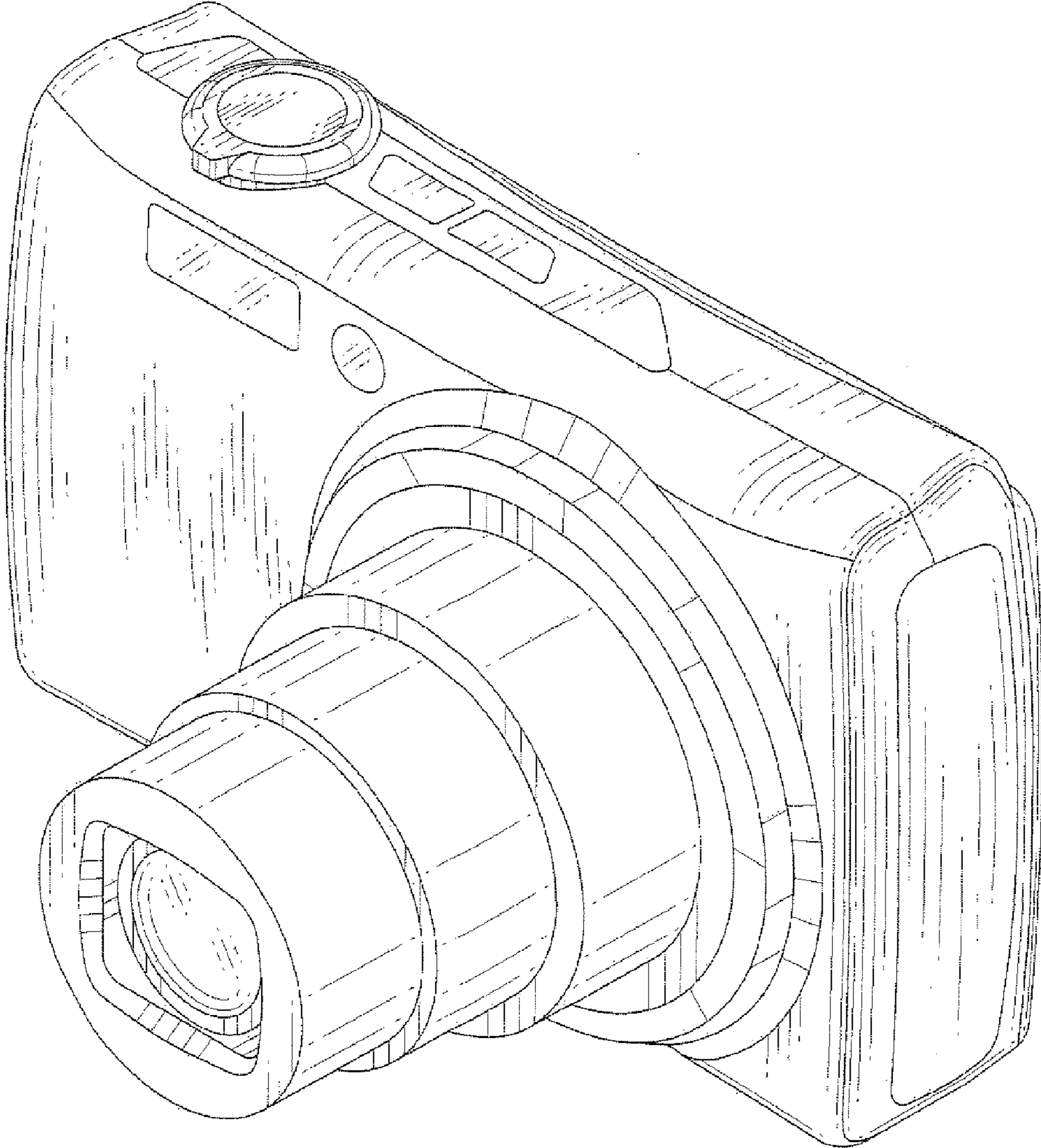


FIG. 2

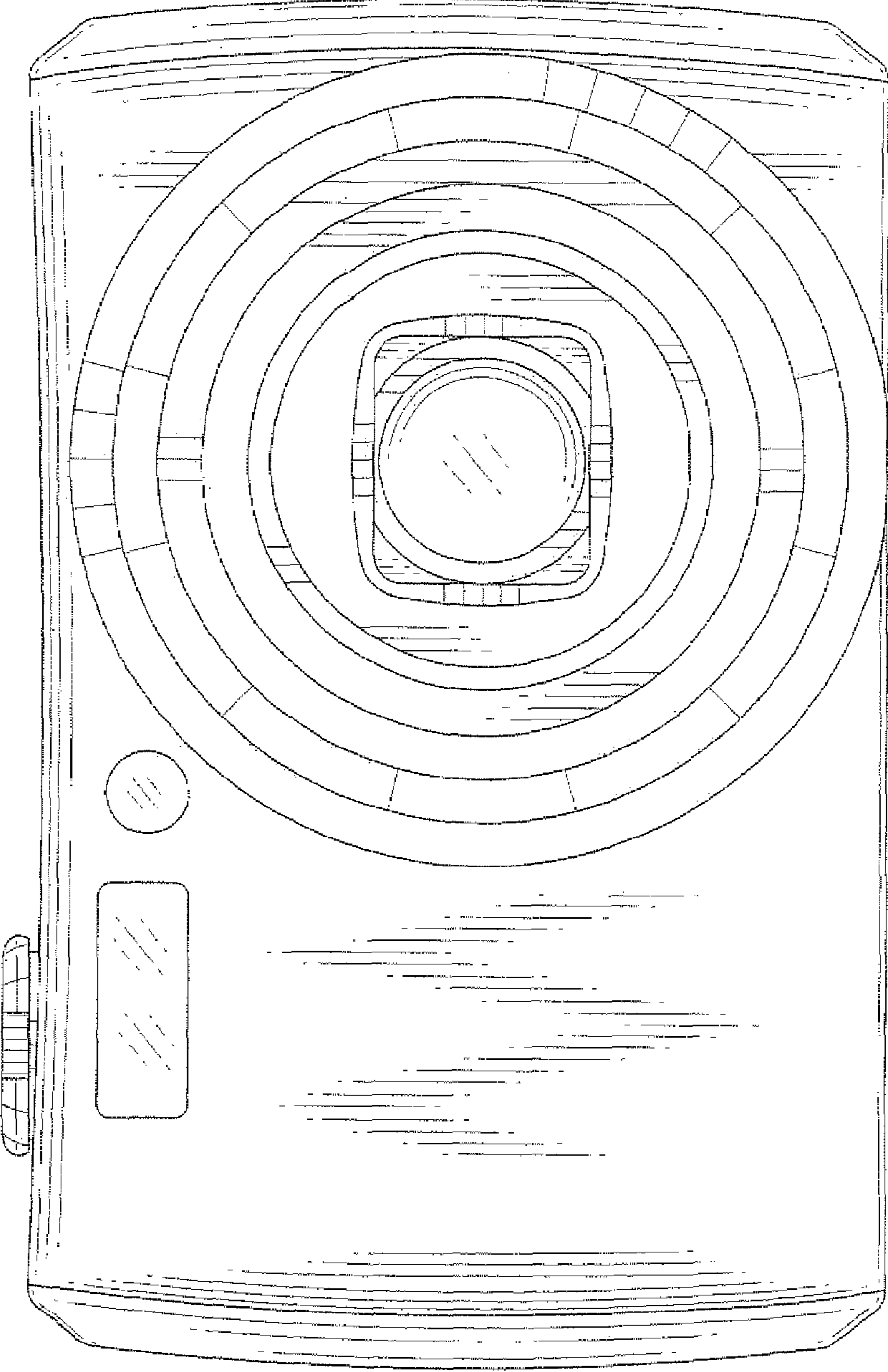


FIG. 3

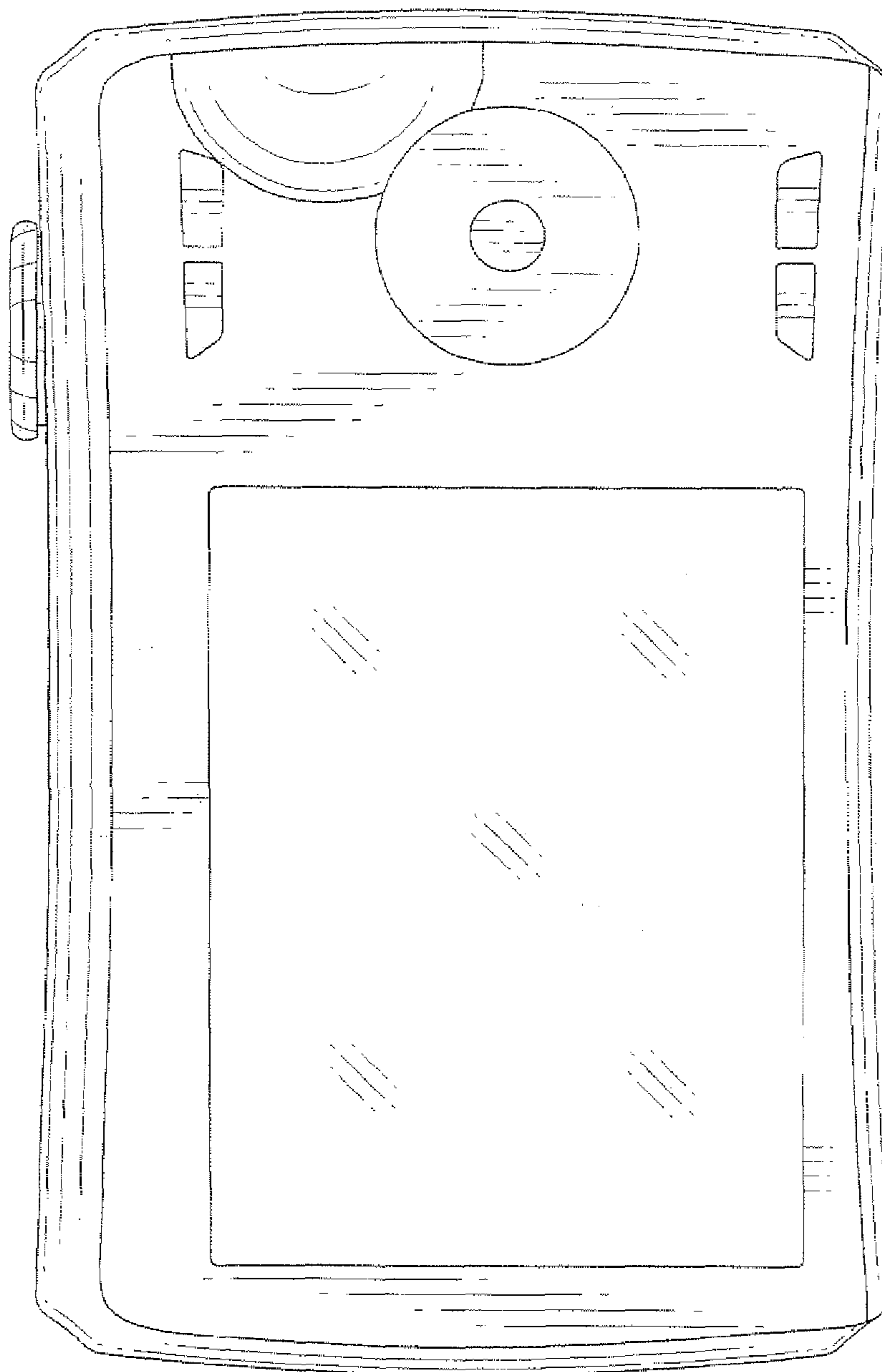


FIG. 4

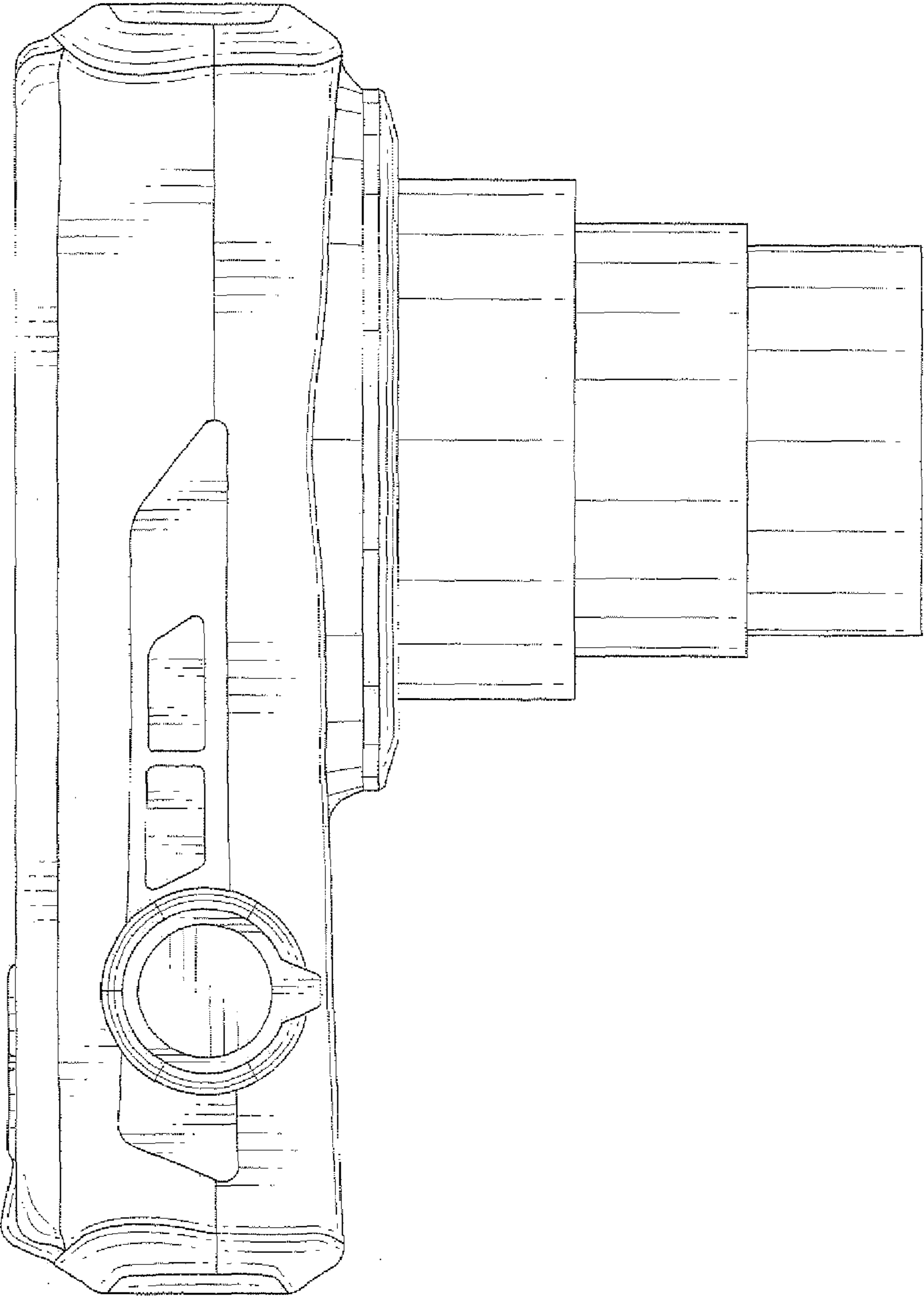


FIG. 5

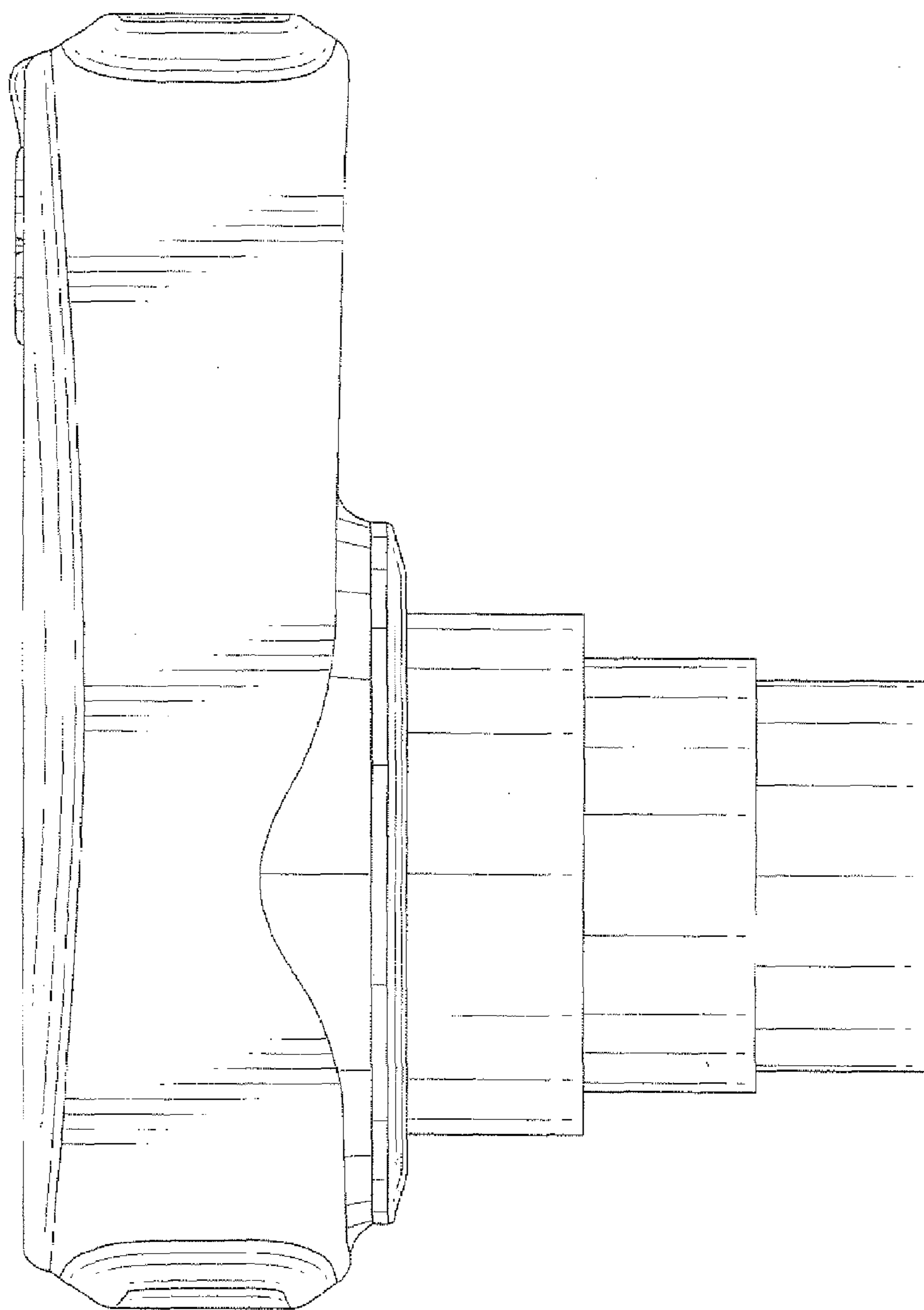


FIG.6

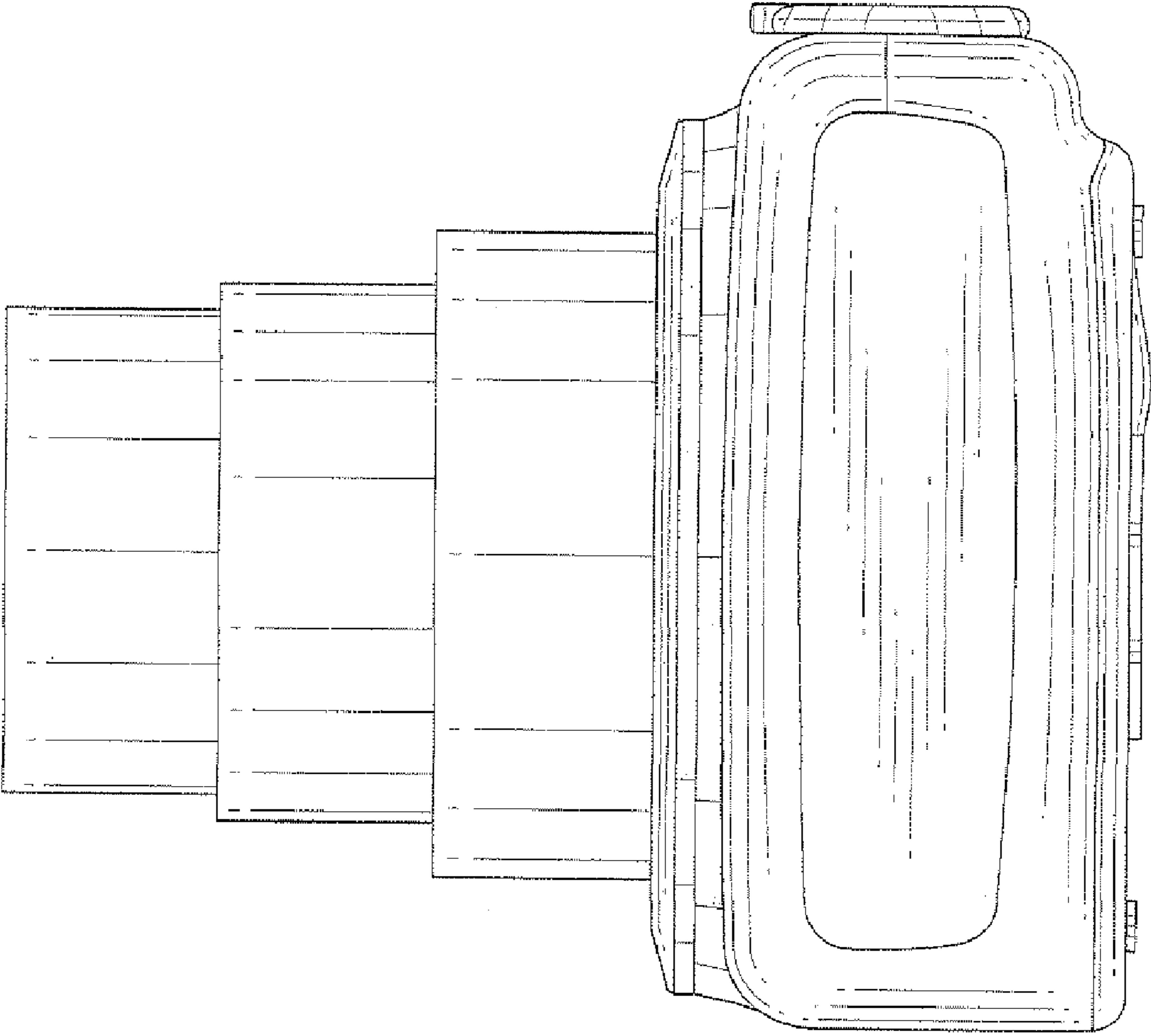


FIG. 7

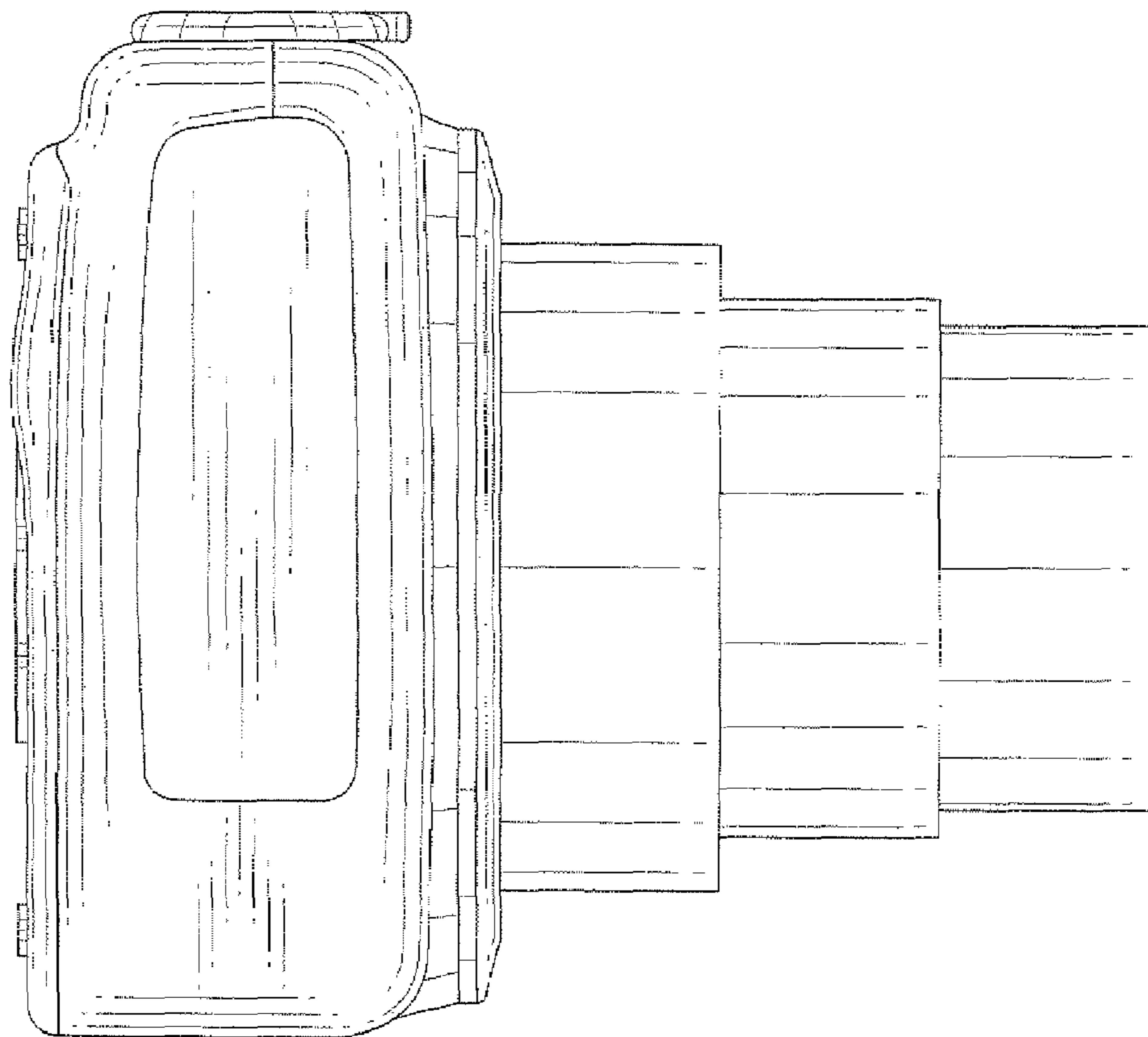


FIG. 8

