



US00D603885S

(12) **United States Design Patent**
Ackley, Jr.

(10) **Patent No.:** **US D603,885 S**
(45) **Date of Patent:** **** Nov. 10, 2009**

(54) **CARRIER BAR**

(75) Inventor: **E. Michael Ackley, Jr.**, Mannington, NJ
(US)

(73) Assignee: **Ackley Machine Corporation**,
Moorestown, NJ (US)

(**) Term: **14 Years**

(21) Appl. No.: **29/311,505**

(22) Filed: **Apr. 3, 2009**

(51) **LOC (9) Cl.** **15-09**

(52) **U.S. Cl.** **D15/138**

(58) **Field of Classification Search** D6/515;
D9/341, 761; D15/138, 145, 199; D18/56
See application file for complete search history.

(56) **References Cited**

U.S. PATENT DOCUMENTS

3,655,110	A *	4/1972	Eisenbach	229/406
3,884,143	A *	5/1975	Ackley	101/37
4,632,028	A	12/1986	Ackley		
5,630,499	A	5/1997	Louden et al.		
5,836,243	A	11/1998	Ackley		
D432,341	S *	10/2000	Shimbo et al.	D6/515
6,314,876	B1	11/2001	Ackley		
6,360,866	B1 *	3/2002	Chiba et al.	198/803.14
6,409,030	B1 *	6/2002	Schlemper	211/70.6
D463,977	S *	10/2002	Castellanos et al.	D9/761
D482,963	S *	12/2003	Vincent et al.	D9/761
6,834,581	B2	12/2004	Ackley		
7,102,741	B2	9/2006	Ackley, Jr. et al.		

7,114,445	B2	10/2006	Ackley, Jr. et al.		
D543,103	S *	5/2007	Roche et al.	D9/417
D545,096	S *	6/2007	Simpson et al.	D6/515
7,456,946	B2 *	11/2008	Ackley et al.	356/237.1
2008/0028955	A1 *	2/2008	Bauer et al.	101/44
2008/0047803	A1	2/2008	Ackley, Jr.		

* cited by examiner

Primary Examiner—Sandra Snapp

Assistant Examiner—Patricia Palasik

(74) *Attorney, Agent, or Firm*—Nixon & Vanderhye P.C.

(57) **CLAIM**

The ornamental design for a carrier bar, as shown and described.

DESCRIPTION

FIG. 1 is a top view of a carrier bar according to an embodiment of my design;

FIG. 2 is a front view thereof, with the rear view being identical thereto;

FIG. 3 is a bottom view thereof;

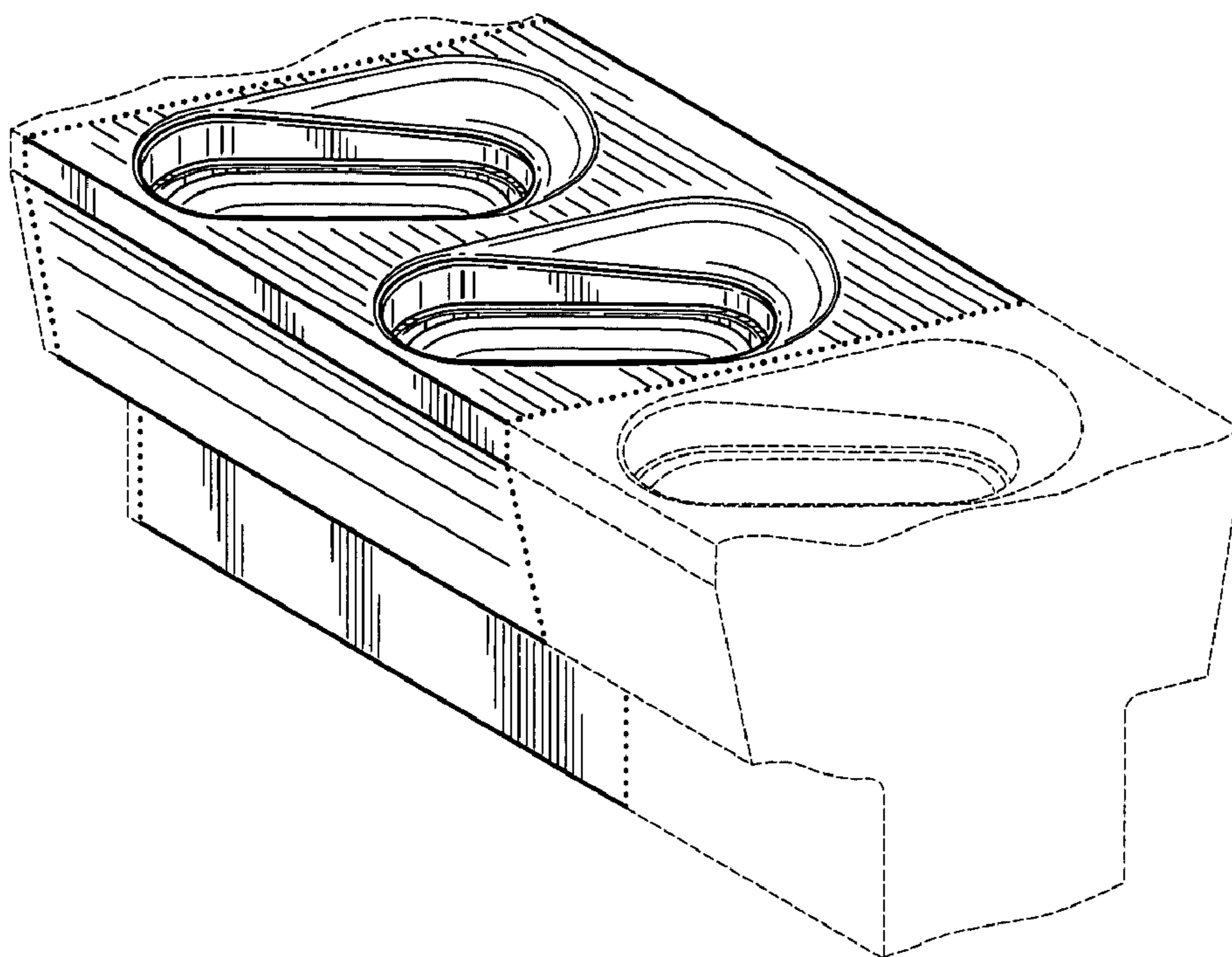
FIG. 4 is a left side view thereof, with the right side view being identical thereto; and,

FIG. 5 is an enlarged detailed perspective view thereof.

Where included, dotted lines represent the border between claimed and non-claimed subject matter and form no part of the claimed design.

Where included, dashed lines represent environmental structure only and do not form a part of the claimed design.

1 Claim, 2 Drawing Sheets



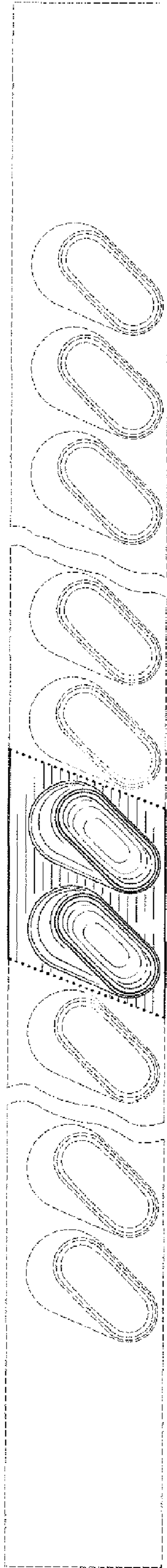


Fig. 1

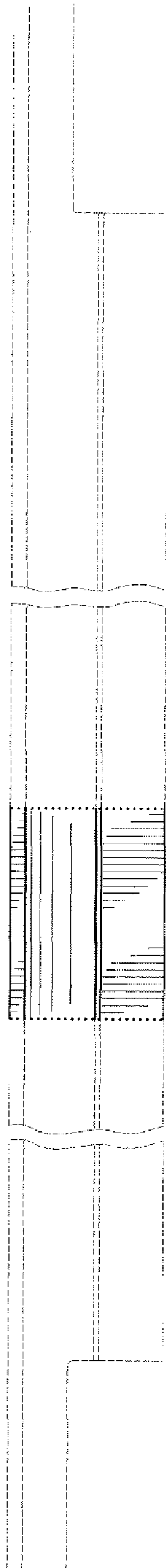


Fig. 2

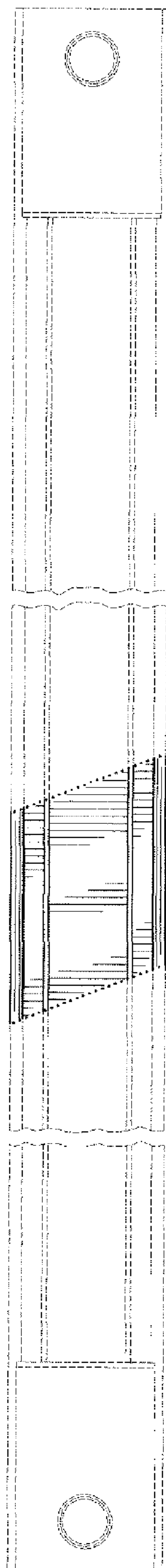


Fig. 3

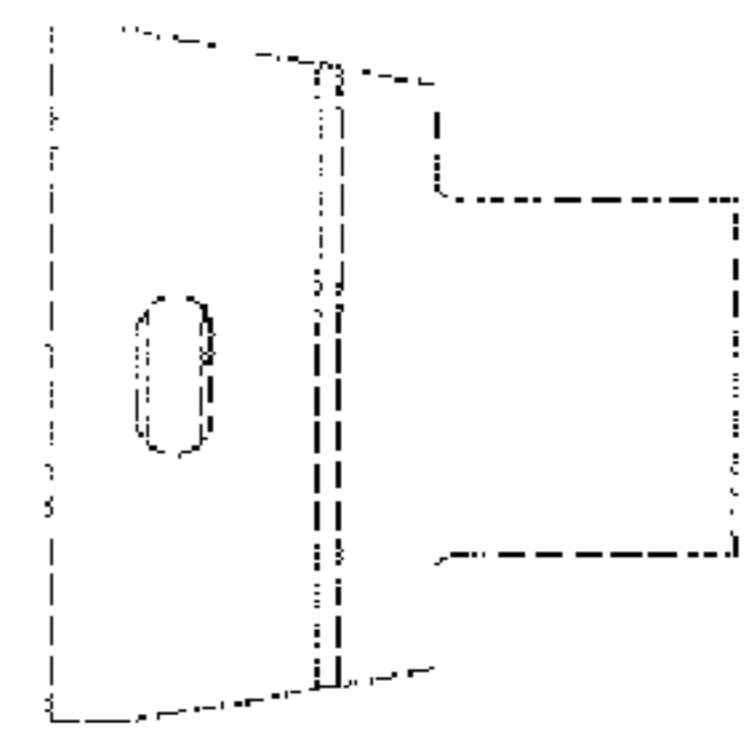


Fig. 4

Fig. 5

