



US00D603883S

(12) **United States Design Patent**
Placke et al.

(10) **Patent No.:** **US D603,883 S**

(45) **Date of Patent:** **** Nov. 10, 2009**

(54) **FOOD HOLDER FOR A REFRIGERATOR DOOR**

D522,542 S * 6/2006 Czach et al. D15/89

OTHER PUBLICATIONS

(75) Inventors: **Frank Placke**, Bielefeld (DE); **Matthias Stahl**, Schloss Holte-Stukenbrock (DE)

U.S. Design Appl. No. 29/302,939, filed on Jan. 29 2008.

* cited by examiner

(73) Assignee: **Miele & Cie. KG**, Guetersloh (DE)

Primary Examiner—Stella M. Reid

Assistant Examiner—Shanda C Hill

(**) Term: **14 Years**

(74) *Attorney, Agent, or Firm*—Darby & Darby

(21) Appl. No.: **29/303,002**

(57) **CLAIM**

(22) Filed: **Jan. 30, 2008**

The ornamental design for a food holder for a refrigerator door, as shown and described.

(51) **LOC (9) Cl.** **15-07**

(52) **U.S. Cl.** **D15/89**

(58) **Field of Classification Search** D15/79,
D15/81, 85, 89, 91; 62/3.1, 3.6, 125, 126;
312/116, 400–406

See application file for complete search history.

DESCRIPTION

FIG. 1 is a front, bottom and right side perspective view of the food holder for a refrigerator door showing our new design;

FIG. 2 is a right side view thereof, the left side view being a mirror image of the right side view;

FIG. 3 is a front view thereof;

FIG. 4 is a top view thereof; and,

FIG. 5 is a bottom view thereof.

The broken lines are for illustrative purposes only, and form no part of the claimed design.

(56) **References Cited**

U.S. PATENT DOCUMENTS

D483,046 S *	12/2003	Becke	D15/89
D490,091 S *	5/2004	Quinlan	D15/89
D494,195 S *	8/2004	Becke	D15/89
D506,480 S *	6/2005	Floeter et al.	D15/89
D511,177 S *	11/2005	Jackovin et al.	D15/89
D511,179 S *	11/2005	Tunzi	D15/89

1 Claim, 5 Drawing Sheets

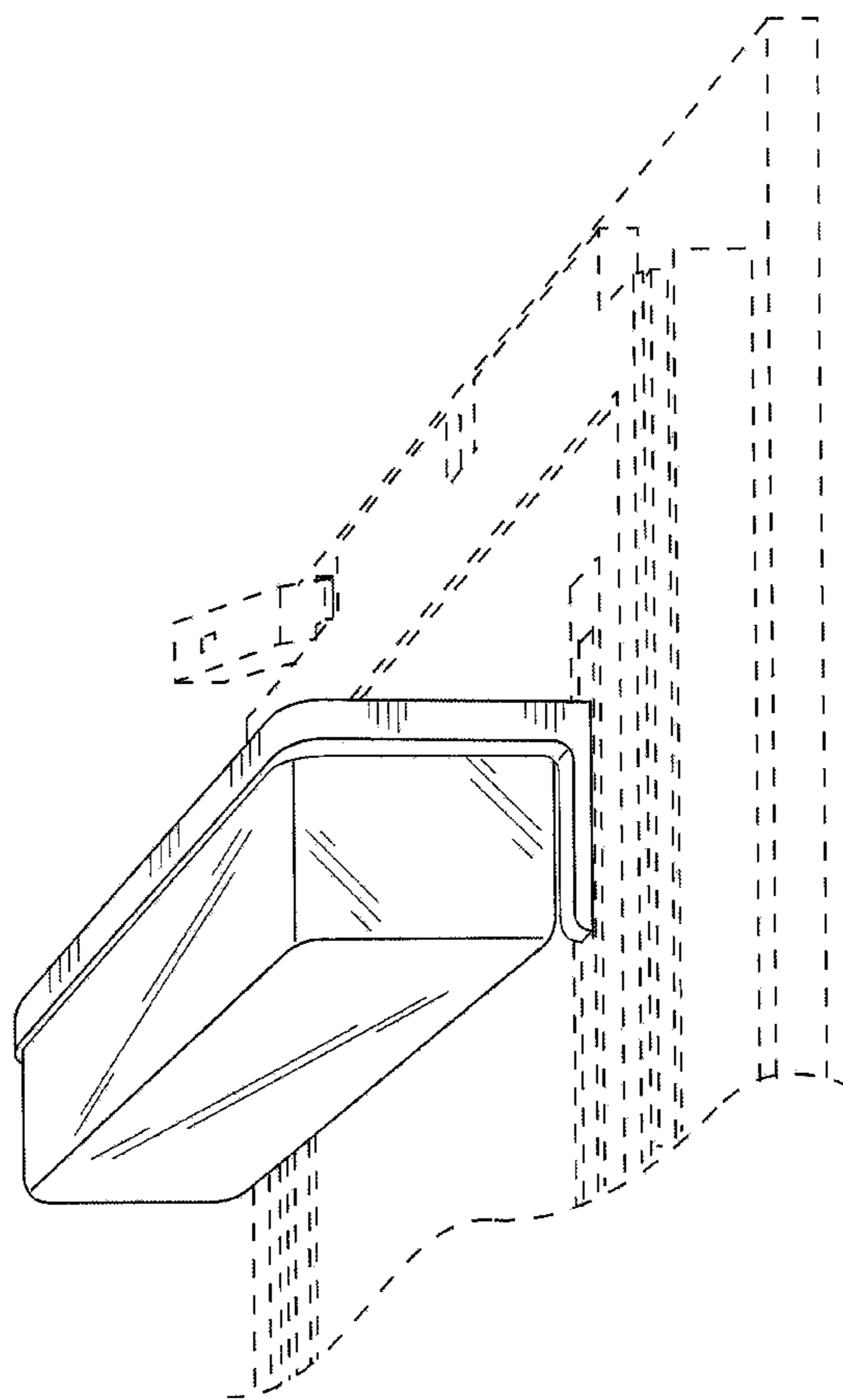


Fig. 1

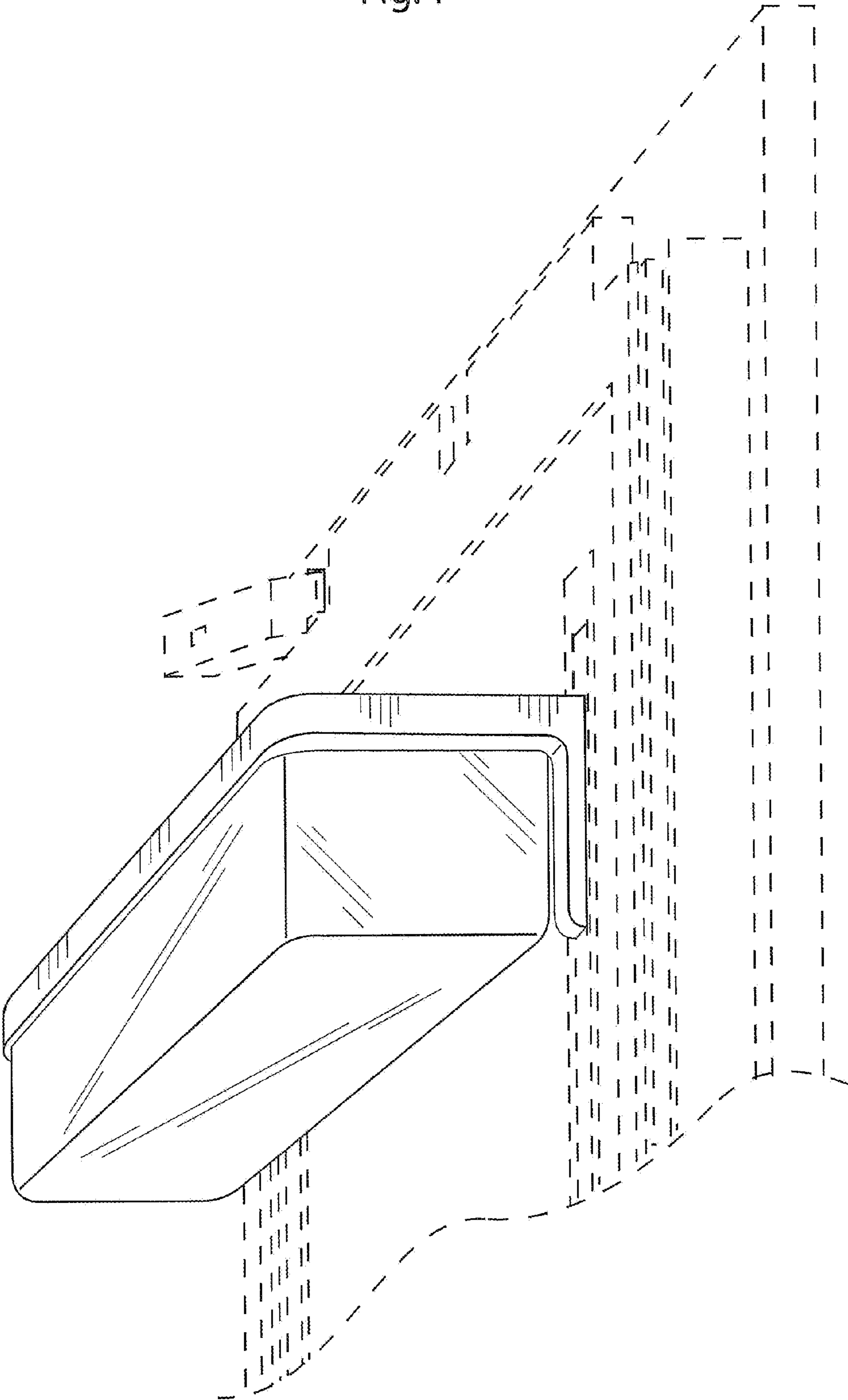


Fig. 2

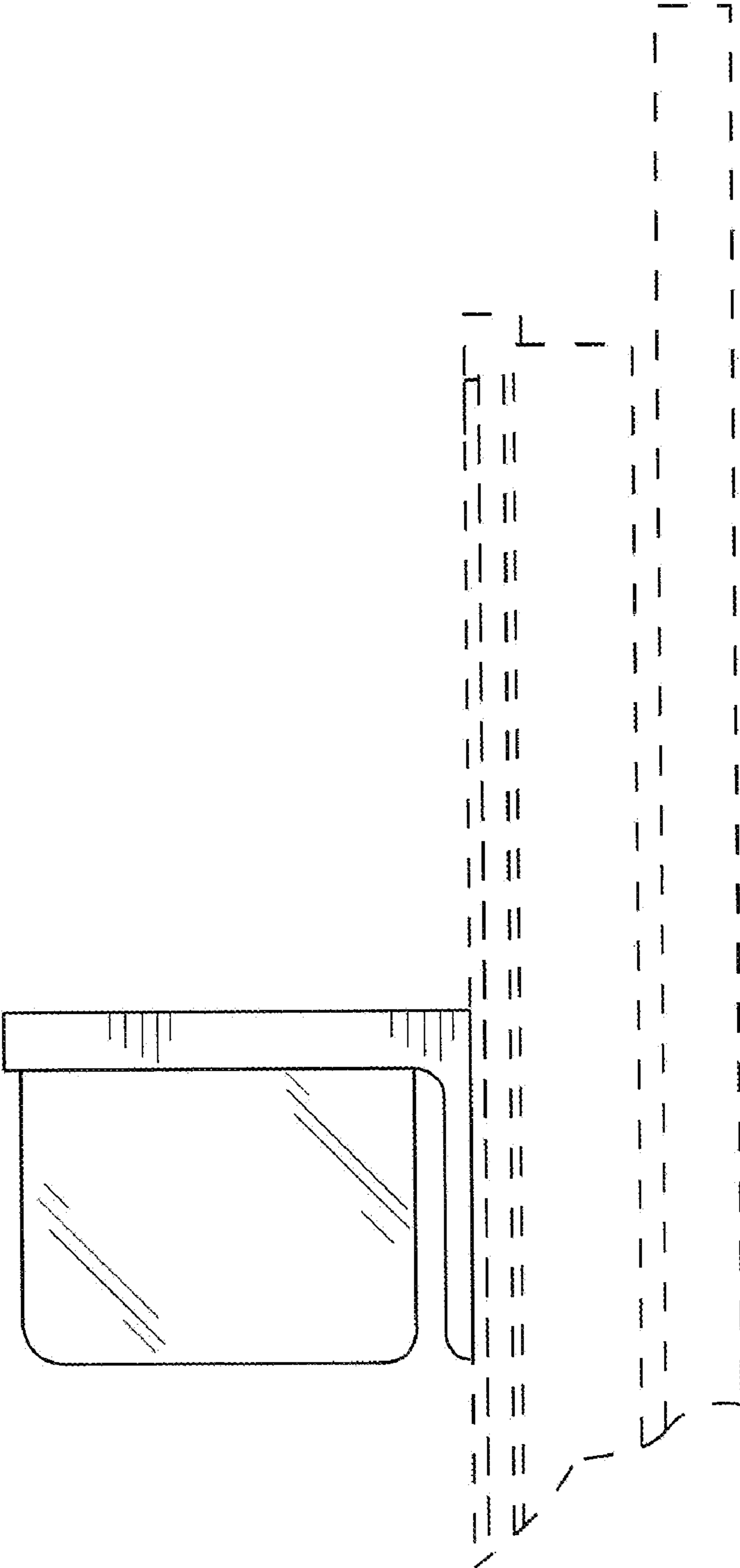


Fig. 3

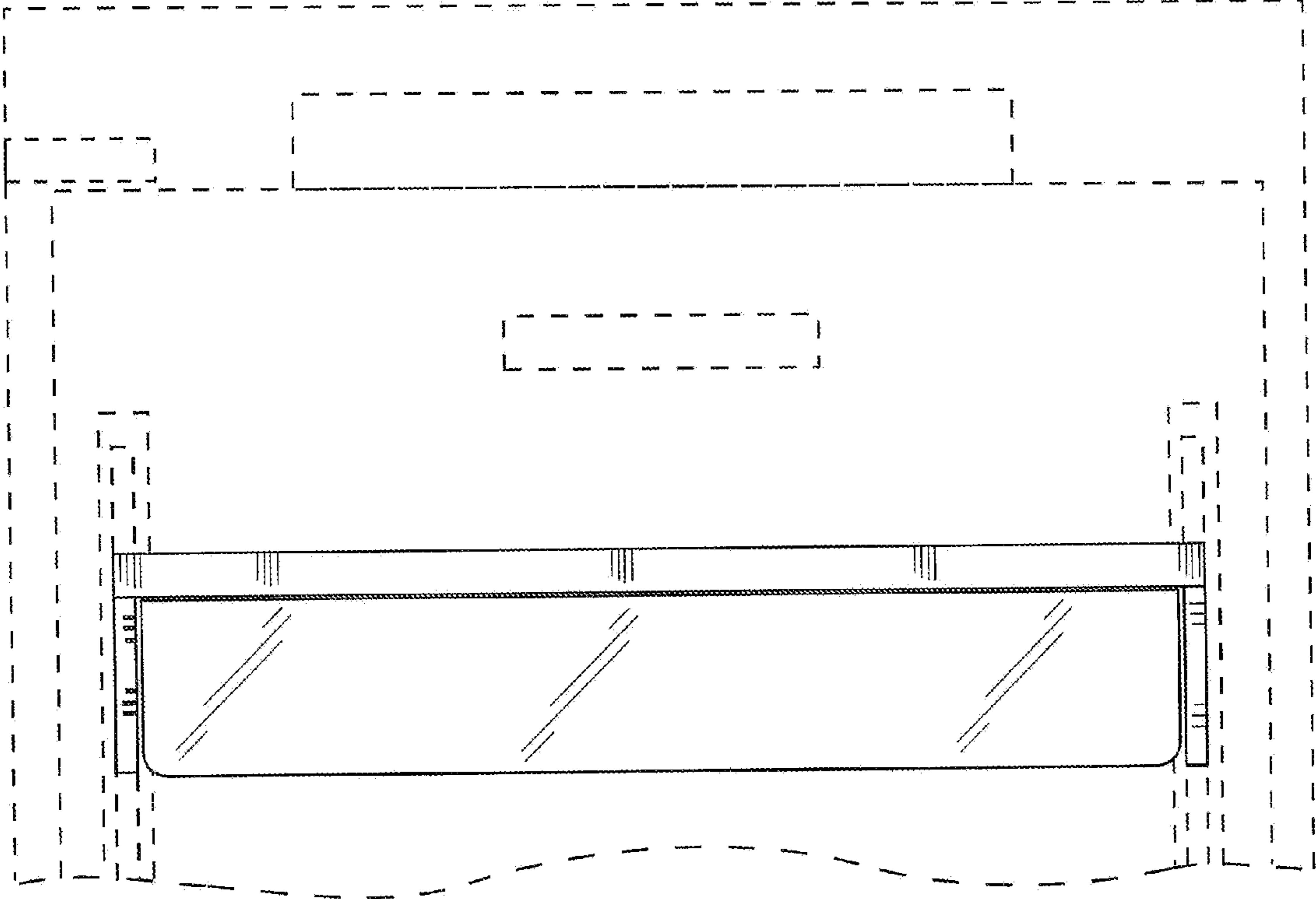


Fig. 4

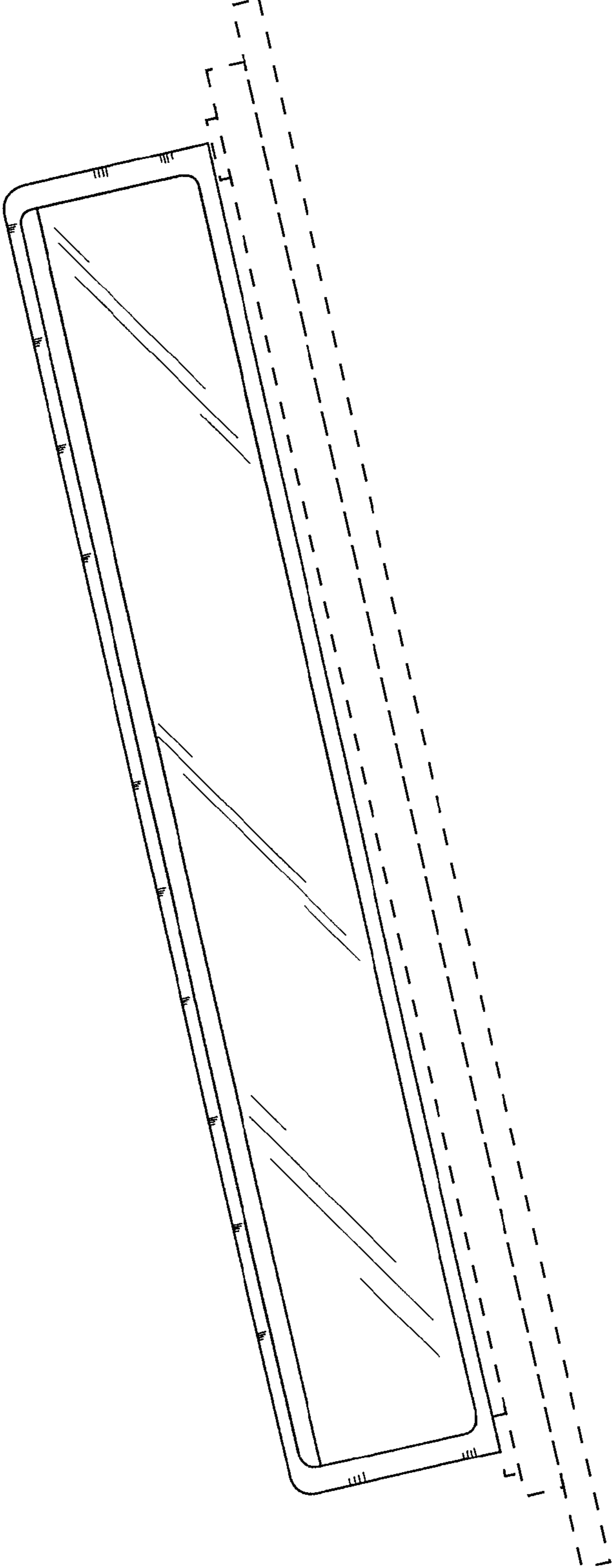


Fig. 5

