

US00D603882S

(12) **United States Design Patent**  
**Inada**

(10) **Patent No.:** **US D603,882 S**  
(45) **Date of Patent:** **\*\* Nov. 10, 2009**

(54) **SEWING MACHINE**

(75) Inventor: **Toshiya Inada**, Nagoya (JP)

(73) Assignee: **Brother Industries, Ltd.**, Nagoya (JP)

(\*\*) Term: **14 Years**

(21) Appl. No.: **29/290,741**

(22) Filed: **Jan. 9, 2008**

(30) **Foreign Application Priority Data**

Jul. 25, 2007 (JP) ..... 2007-020198

(51) **LOC (9) Cl.** ..... **15-06**

(52) **U.S. Cl.** ..... **D15/72; D15/78**

(58) **Field of Classification Search** ..... D15/66-78;  
D10/113; D8/349; D12/167; D25/1, 35,  
D25/55, 60, 102, 119, 136, 199; D6/549;  
D99/99; D21/317; 52/656.1; 112/1, 270,  
112/400

See application file for complete search history.

(56) **References Cited**

**U.S. PATENT DOCUMENTS**

D231,000 S \* 3/1974 Blaney ..... D21/317

D281,152 S \* 10/1985 Luthe et al. .... D12/167  
D381,946 S \* 8/1997 Delashaw et al. .... D12/167  
D420,928 S \* 2/2000 Spiller ..... D10/113  
D458,177 S \* 6/2002 Spiller ..... D10/113  
2004/0255542 A1 \* 12/2004 Repp et al. .... 52/656.1

\* cited by examiner

*Primary Examiner*—Stella M Reid

*Assistant Examiner*—Shanda C Hill

(74) *Attorney, Agent, or Firm*—Oliff & Berridge, PLC

(57) **CLAIM**

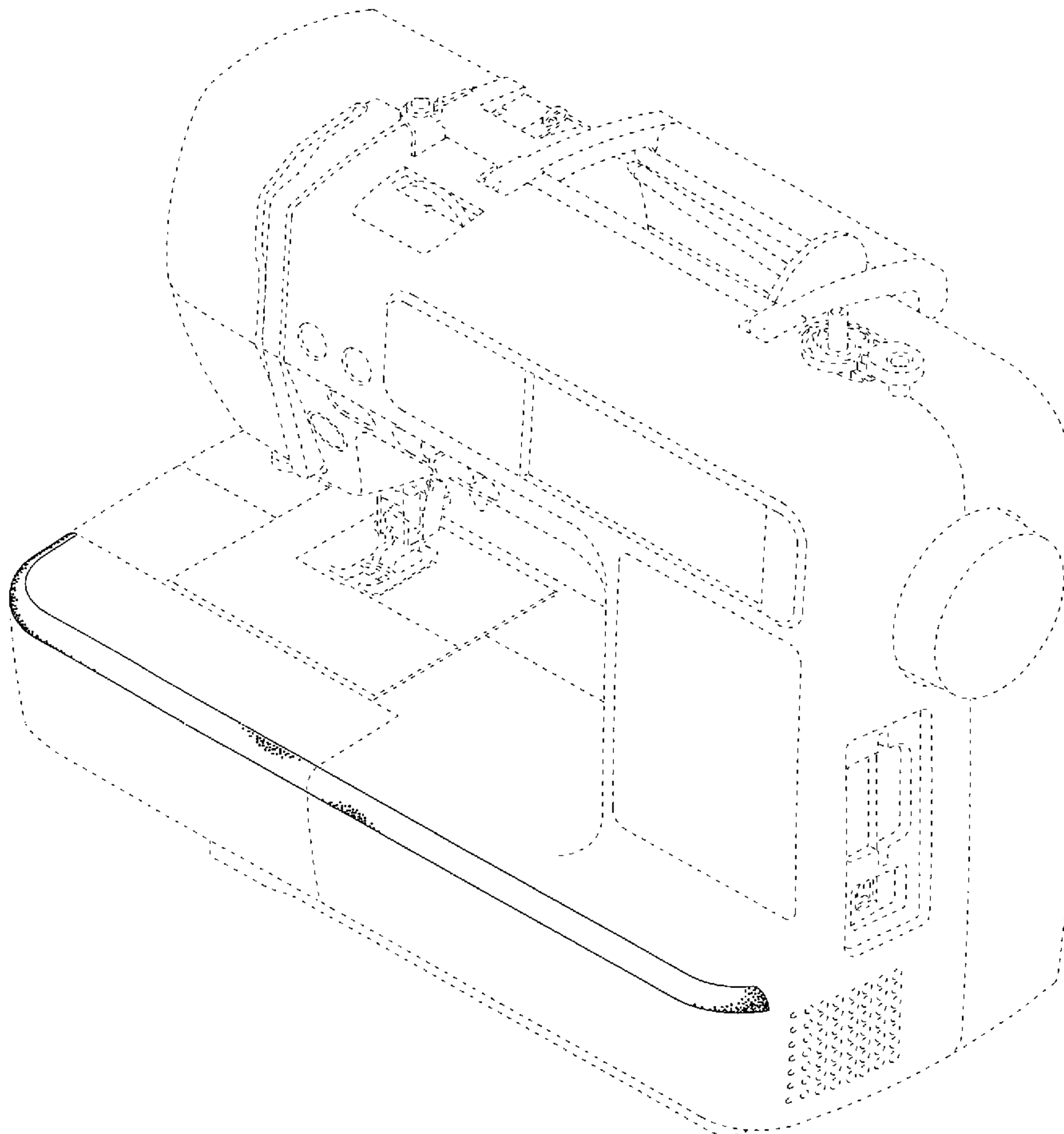
The ornamental design for a sewing machine, as shown and described.

**DESCRIPTION**

FIG. 1 is a perspective view of a sewing machine;  
FIG. 2 is a front view thereof;  
FIG. 3 is a top view thereof;  
FIG. 4 is a right-side view thereof; and,  
FIG. 5 is a left-side view thereof.

The broken lines depict environmental subject matter only and form no part of the claimed design.

**1 Claim, 4 Drawing Sheets**



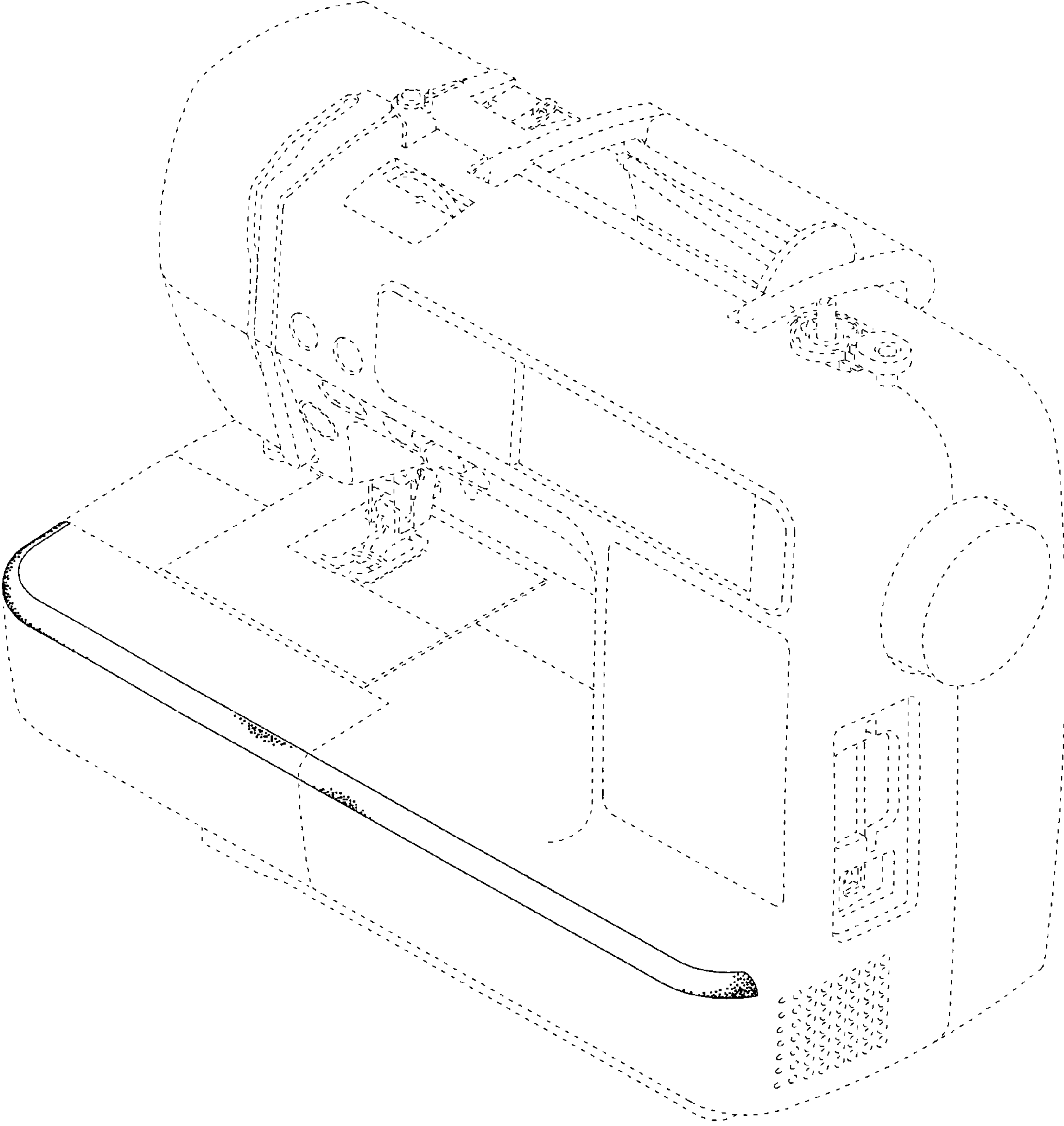


FIG. 1

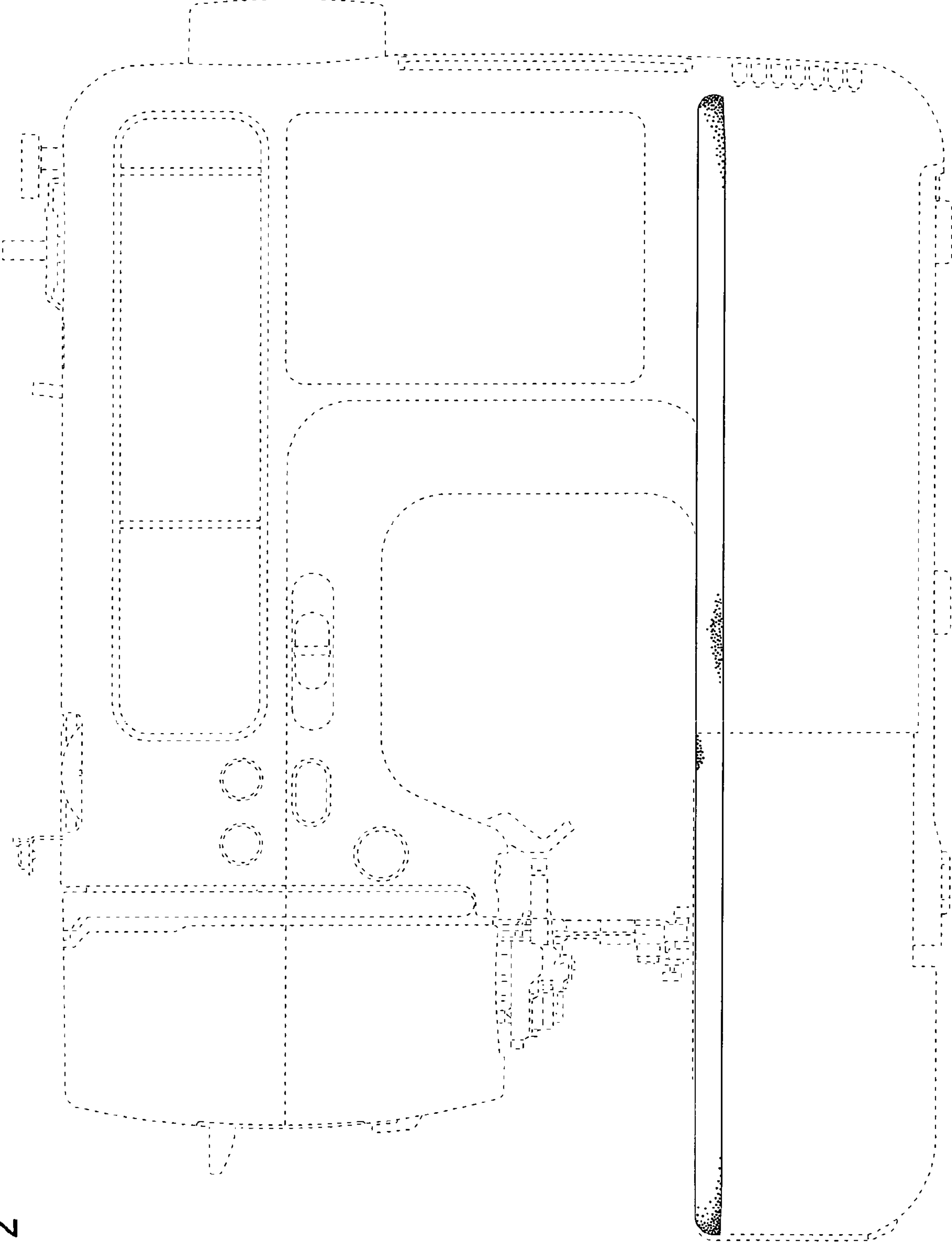


FIG. 2

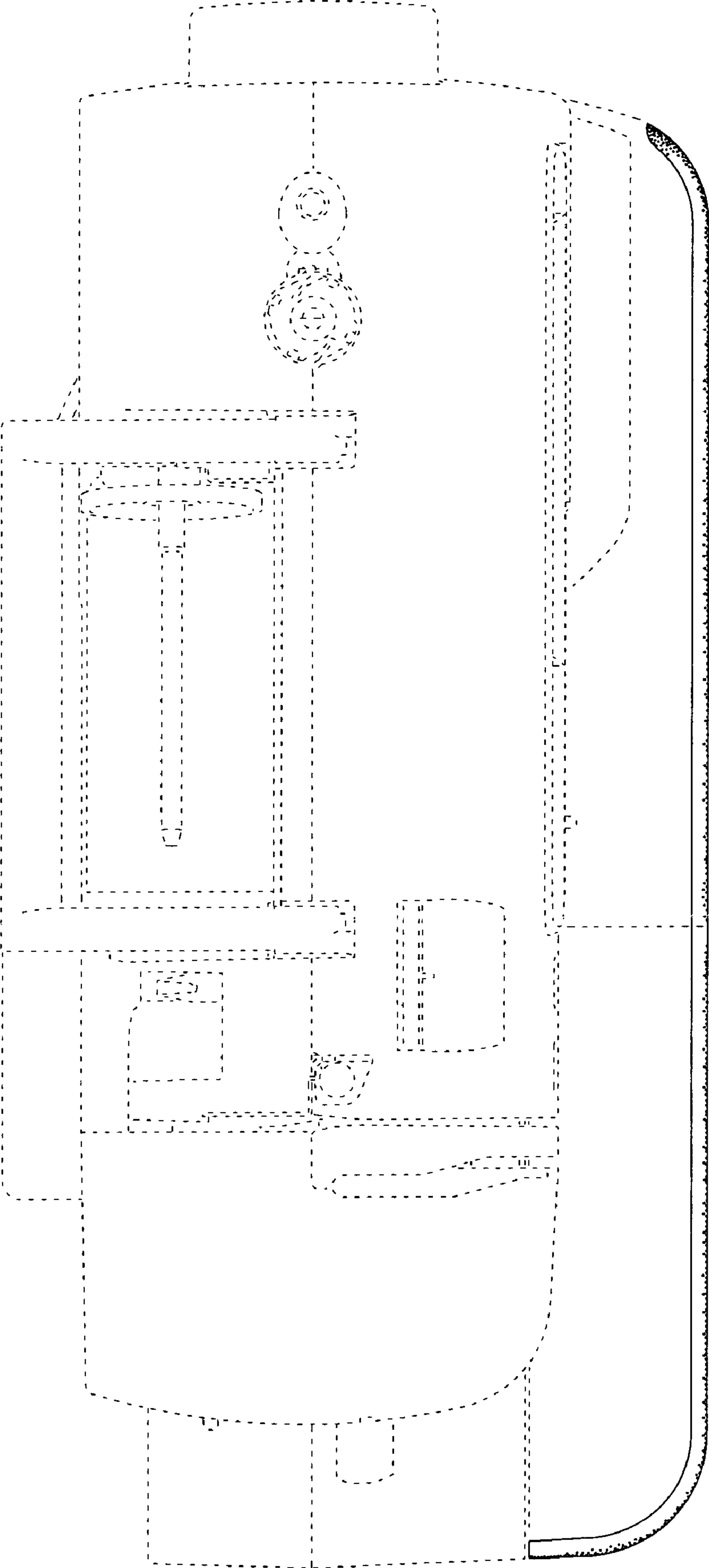


FIG. 3

FIG. 5

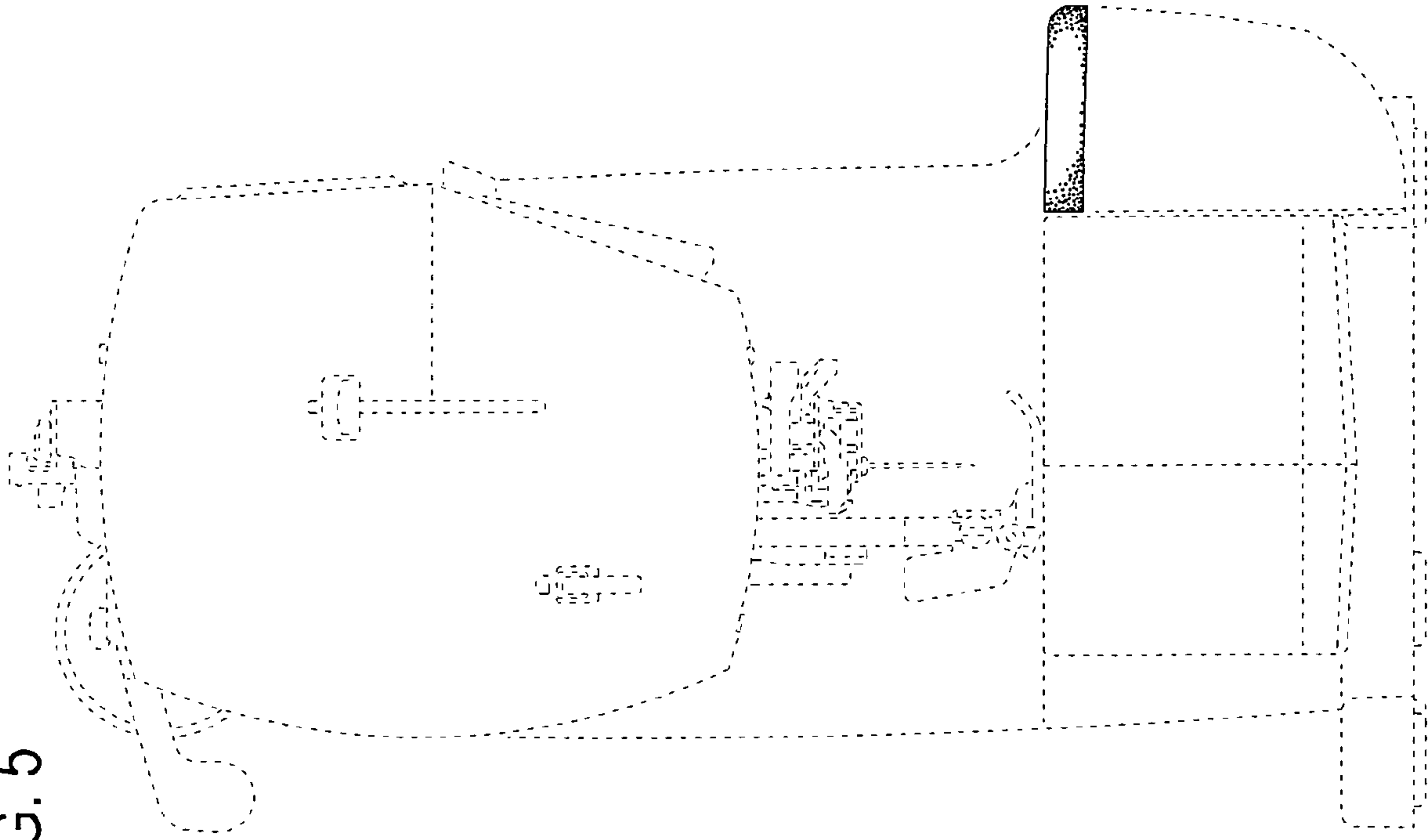


FIG. 4

