



US00D603880S

(12) **United States Design Patent**
Brazier

(10) **Patent No.:** **US D603,880 S**

(45) **Date of Patent:** **** Nov. 10, 2009**

(54) **CONVERSION TRACK ASSEMBLY**

(76) **Inventor:** **Glen Brazier**, P.O. Box 214, St. Paul,
MN (US) 56732-0214

(**) **Term:** **14 Years**

(21) **Appl. No.:** **29/313,851**

(22) **Filed:** **Feb. 13, 2009**

(51) **LOC (9) Cl.** **15-03**

(52) **U.S. Cl.** **D15/28**

(58) **Field of Classification Search** D15/10,
D15/22-26, 28; 180/9.1, 9.21, 9.26, 9.28,
180/908; 305/135, 136, 165, 15, 154, 195,
305/196, 185, 193, 111, 134, 124, 125, 120,
305/129-132, 116, 138

See application file for complete search history.

(56) **References Cited**

U.S. PATENT DOCUMENTS

3,689,123	A *	9/1972	Louis	305/143
3,938,606	A *	2/1976	Yancey	180/9.5
4,241,956	A *	12/1980	Meisel, Jr.	305/181
4,448,273	A *	5/1984	Barbieri	180/9.21
4,953,919	A *	9/1990	Langford	305/144
5,273,126	A *	12/1993	Reed et al.	180/9.21
5,340,205	A *	8/1994	Nagorcka	305/132
5,452,949	A *	9/1995	Kelderman	305/129
5,607,210	A *	3/1997	Brazier	305/131
5,842,757	A *	12/1998	Kelderman	305/125
5,899,543	A *	5/1999	Lykken et al.	305/131
5,924,503	A *	7/1999	Lykken	180/6.7
RE36,284	E *	8/1999	Kelderman	305/129
5,954,148	A *	9/1999	Okumura et al.	180/9.21
6,006,847	A *	12/1999	Knight	180/9.26
D425,526	S *	5/2000	Juncker et al.	D15/28
6,074,025	A *	6/2000	Juncker et al.	305/130
6,095,275	A *	8/2000	Shaw	180/185

6,116,362	A *	9/2000	Schubert et al.	180/9.44
6,176,334	B1 *	1/2001	Lorenzen	180/9.48
6,199,646	B1 *	3/2001	Tani et al.	180/9.21
6,401,847	B1 *	6/2002	Lykken	180/9.1
6,557,953	B1 *	5/2003	Kahle et al.	305/135
D488,171	S *	4/2004	Juncker et al.	D15/28
D497,621	S *	10/2004	Inaoka et al.	D15/28
6,810,975	B2 *	11/2004	Nagorcka et al.	180/9.5
D505,136	S *	5/2005	Brazier	D15/28
6,904,986	B2 *	6/2005	Brazier	180/9.21
6,926,105	B2 *	8/2005	Brazier	180/9.21
D510,742	S *	10/2005	Stover	D15/28
D528,133	S *	9/2006	Brazier	D15/28
7,111,697	B2 *	9/2006	Brazier	180/9.21
D556,791	S *	12/2007	Brazier	D15/28
2005/0252698	A1 *	11/2005	Brazier	180/9.21
2007/0126286	A1 *	6/2007	Feldmann et al.	305/165

* cited by examiner

Primary Examiner—Stella M Reid

Assistant Examiner—Mark A Goodwin

(74) *Attorney, Agent, or Firm*—D L Tschida

(57) **CLAIM**

The ornamental design for a conversion track assembly, as shown and described.

DESCRIPTION

FIG. 1 is a top right front perspective view of a conversion track assembly showing my new design;

FIG. 2 is a front view thereof;

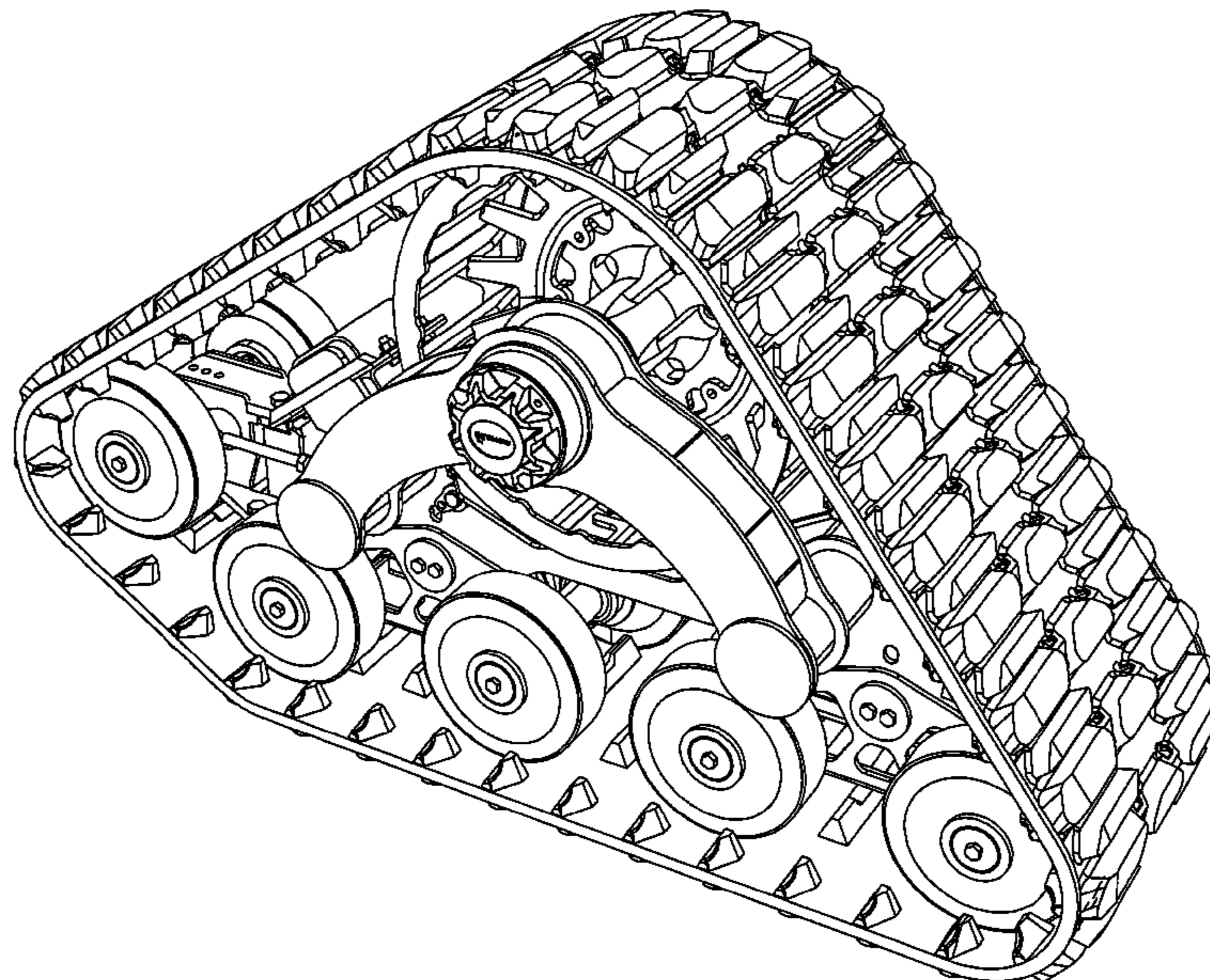
FIG. 3 is a rear view thereof;

FIG. 4 is a top view with the bottom view being a mirror image thereof;

FIG. 5 is a right side view thereof; and,

FIG. 6 is a left side view thereof.

1 Claim, 6 Drawing Sheets



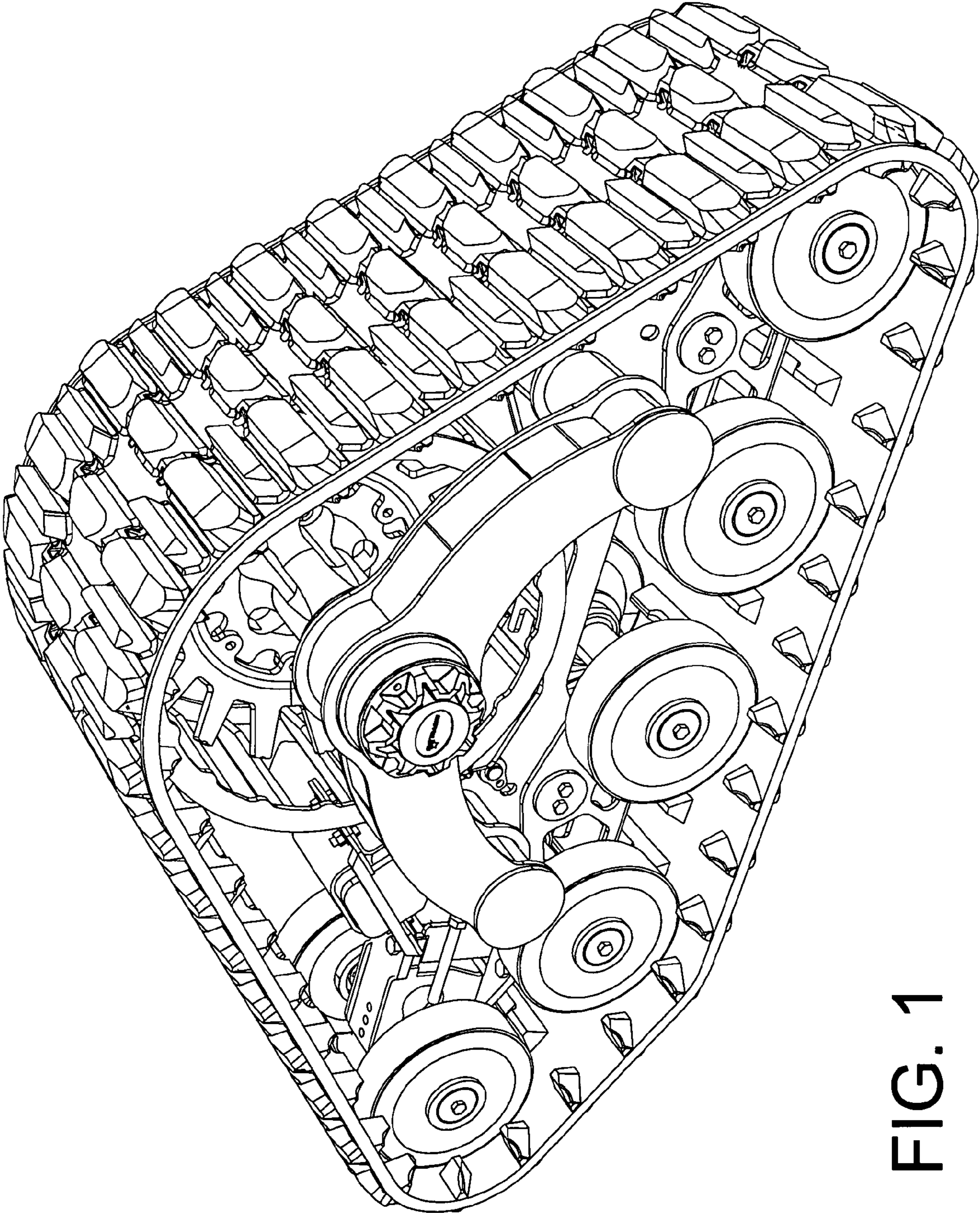


FIG. 1

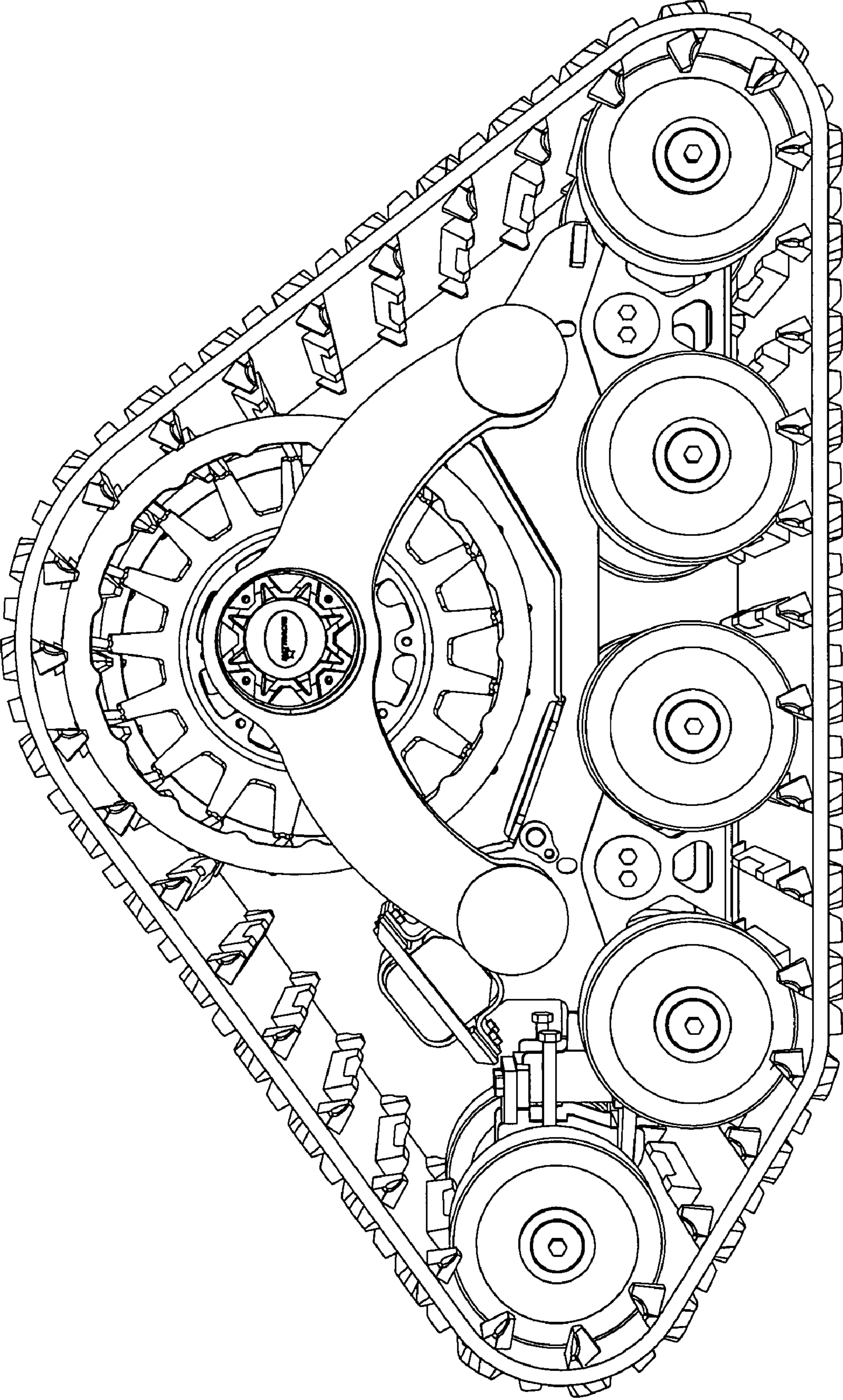


FIG. 2

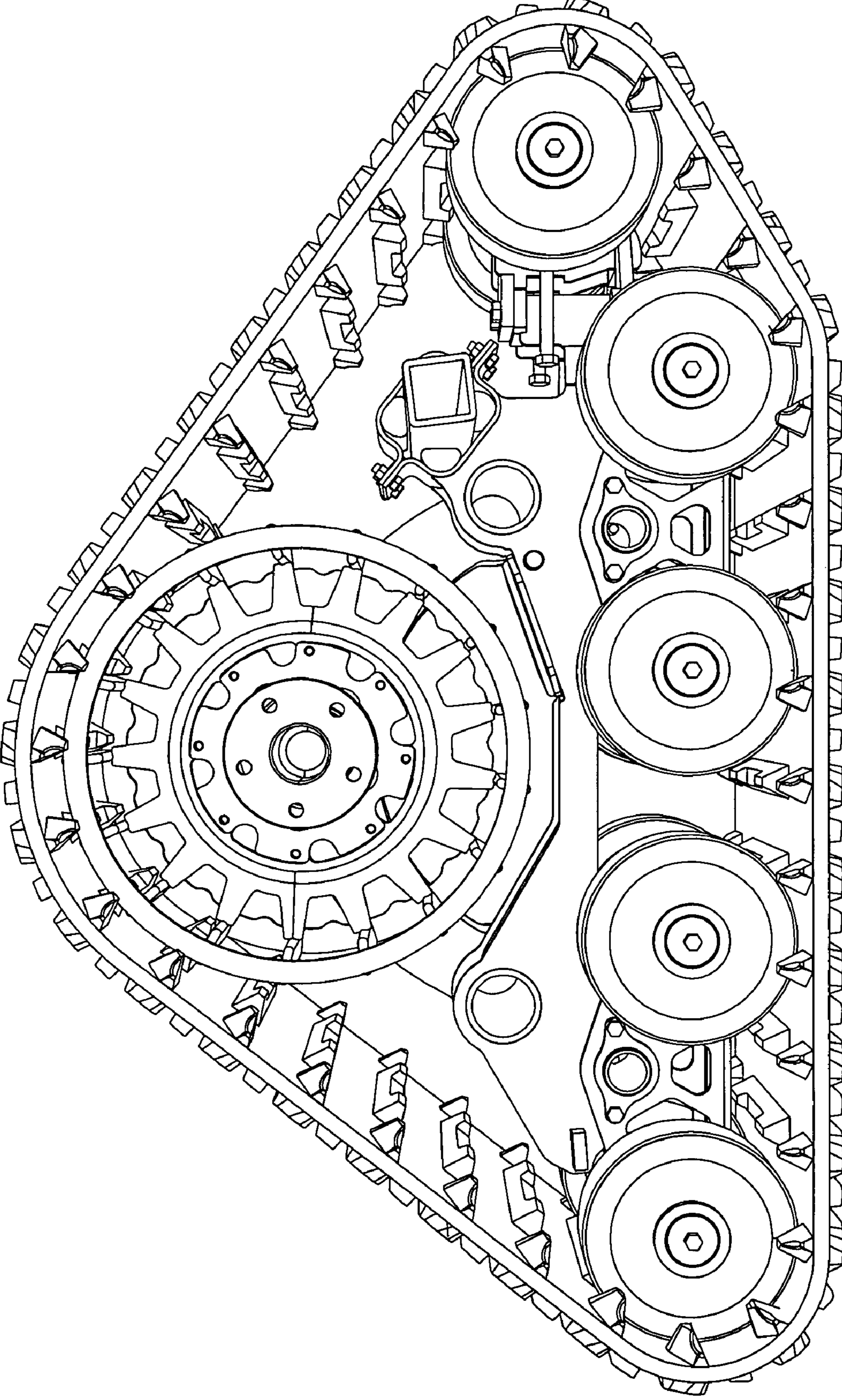


FIG. 3

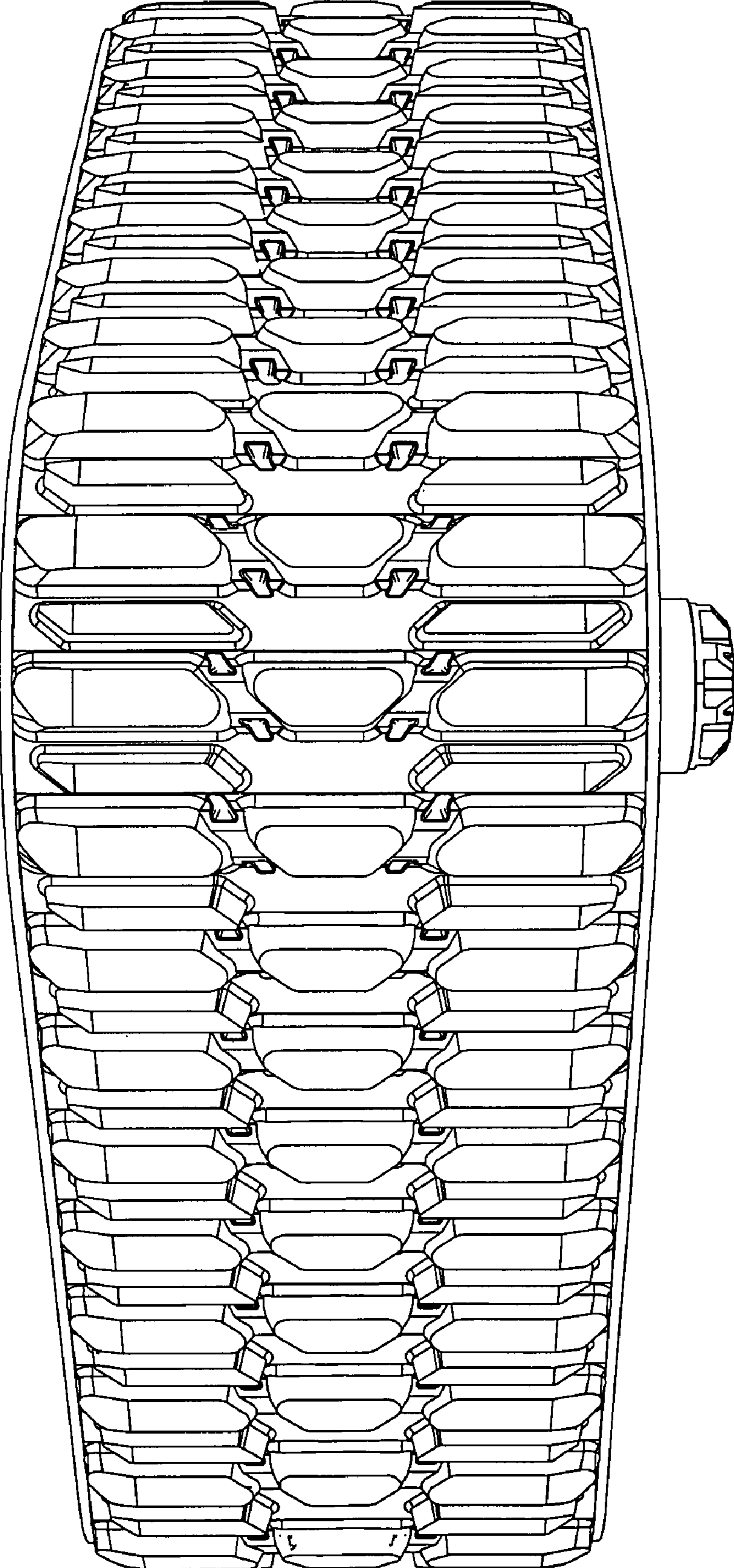


FIG. 4

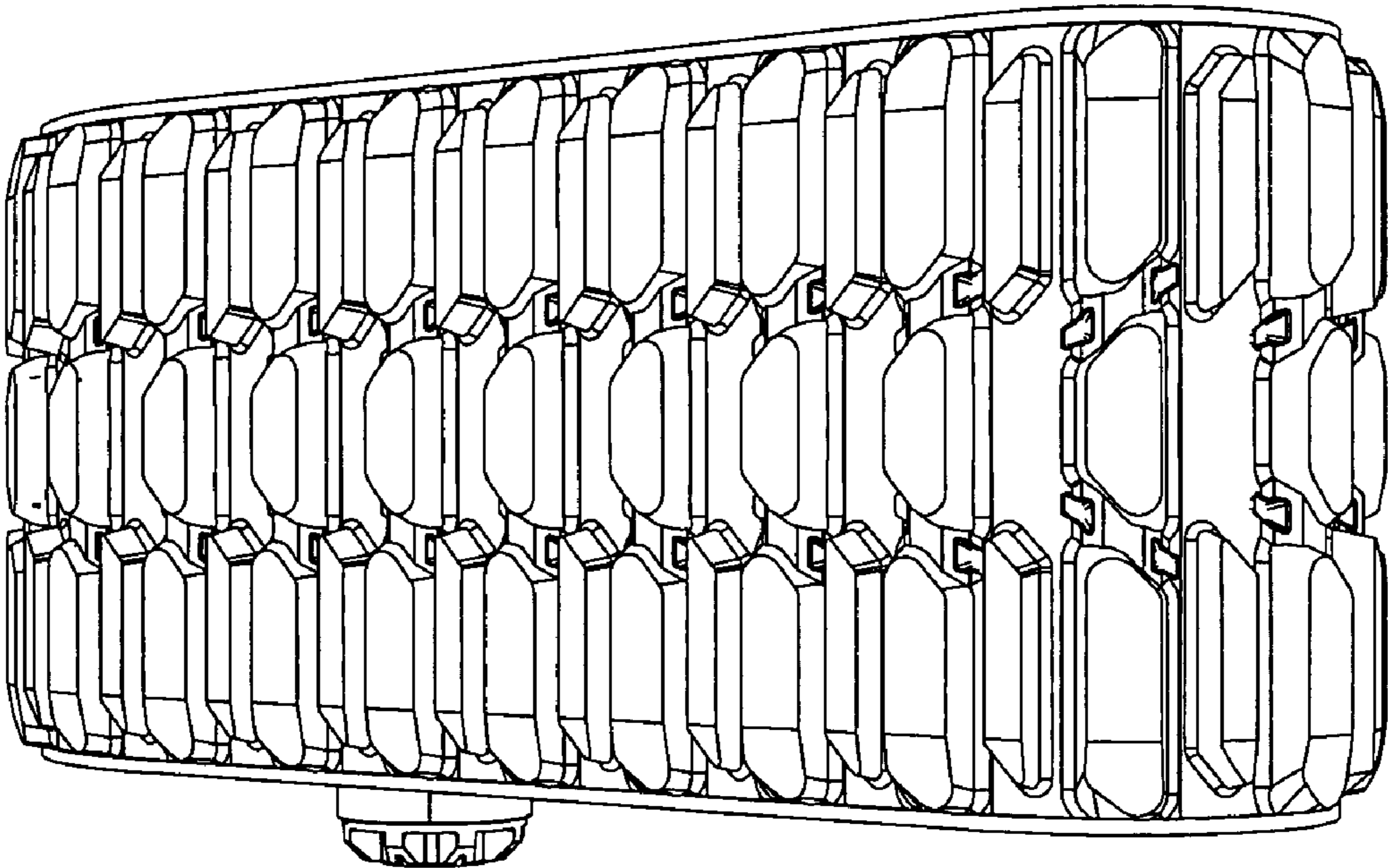


FIG. 5

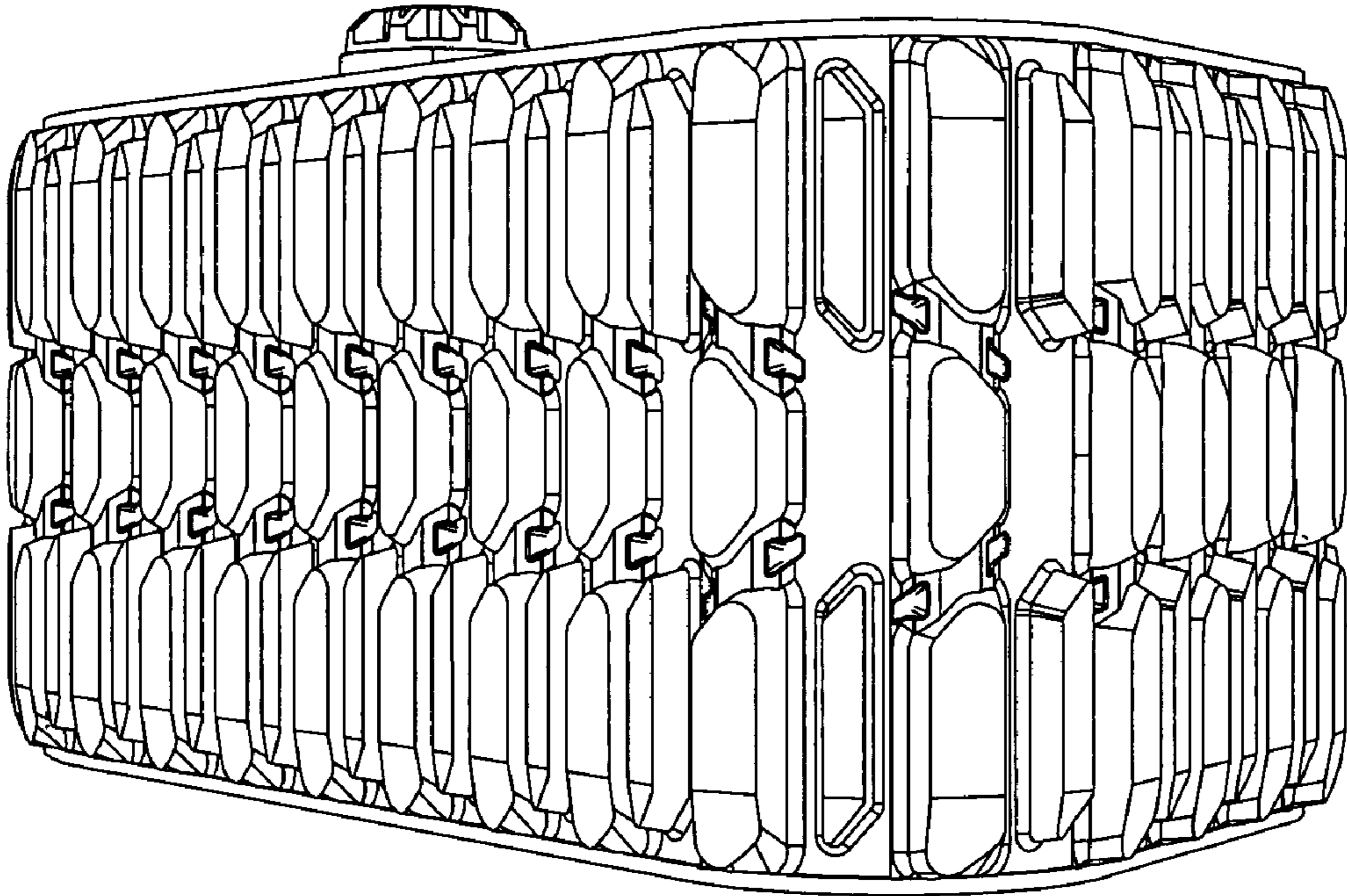


FIG. 6