



US00D603879S

(12) **United States Design Patent**  
**Kosugi et al.**

(10) **Patent No.:** **US D603,879 S**  
(45) **Date of Patent:** **\*\* Nov. 10, 2009**

(54) **AIR COMPRESSOR**

(75) Inventors: **Shingo Kosugi**, Hitachinaka (JP);  
**Masanori Okada**, Hitachinaka (JP);  
**Shinichi Kakefuda**, Hitachinaka (JP);  
**Seiichi Kodato**, Hitachinaka (JP);  
**Tomoyoshi Yokota**, Hitachinaka (JP);  
**Kenichi Matsunaga**, Hitachinaka (JP)

(73) Assignee: **Hitachi Koki Co., Ltd.**, Tokyo (JP)

(\*\*) Term: **14 Years**

(21) Appl. No.: **29/326,038**

(22) Filed: **Oct. 10, 2008**

(30) **Foreign Application Priority Data**

Apr. 11, 2008 (JP) ..... 2008-009308

(51) **LOC (9) Cl.** ..... **15-02**

(52) **U.S. Cl.** ..... **D15/9**

(58) **Field of Classification Search** ..... D15/7-9;  
D23/231, 232, 225; 417/410.1, 359, 415-416,  
417/234, 321, 265, 405

See application file for complete search history.

(56) **References Cited**

**U.S. PATENT DOCUMENTS**

D449,311 S \* 10/2001 Graber et al. .... D15/9

D500,328 S \* 12/2004 Lucchi ..... D15/9

D529,518 S \* 10/2006 Buck ..... D15/9

D588,612 S \* 3/2009 Steinfels ..... D15/7

\* cited by examiner

*Primary Examiner*—R. Seifert

(74) *Attorney, Agent, or Firm*—Sughrue Mion, PLLC

(57) **CLAIM**

The ornamental design for a air compressor, as shown and described.

**DESCRIPTION**

FIG. 1 is a front, top, left perspective view thereof;

FIG. 2 is a front elevation view thereof;

FIG. 3 is a back elevation view thereof;

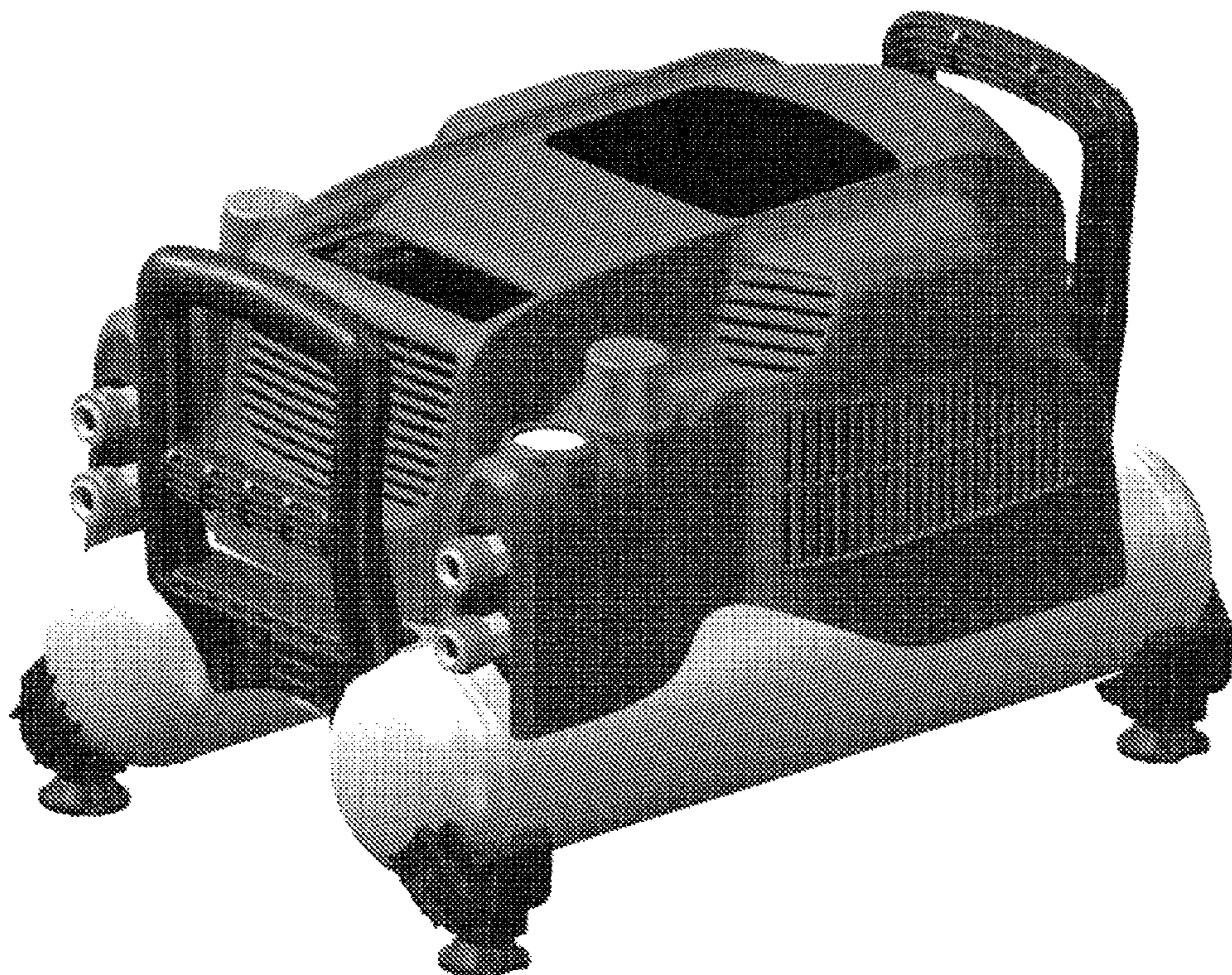
FIG. 4 is a right elevation view thereof;

FIG. 5 is a left elevation view thereof;

FIG. 6 is a top plan view thereof; and,

FIG. 7 is a bottom plan view thereof.

**1 Claim, 4 Drawing Sheets**





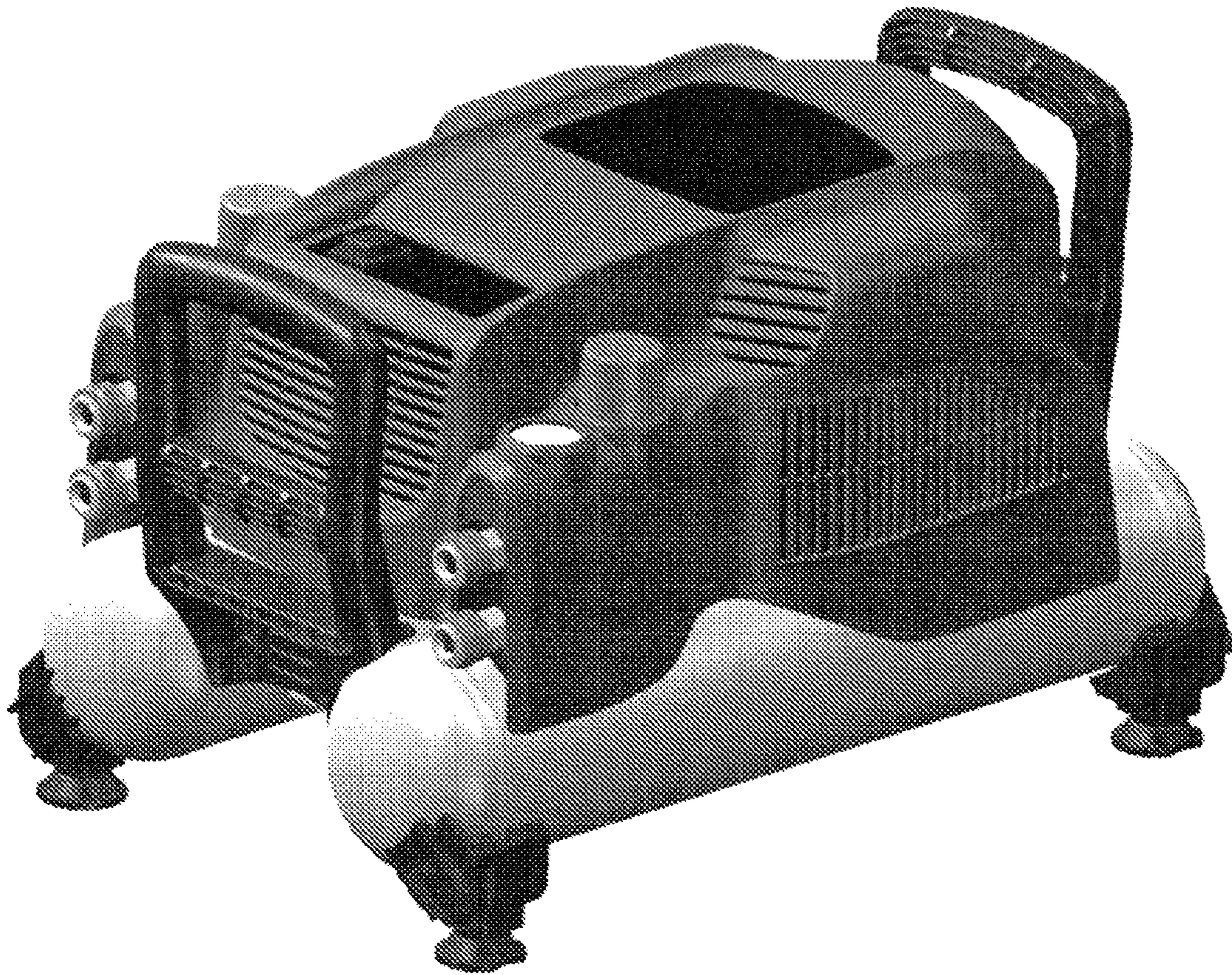


FIG. 1



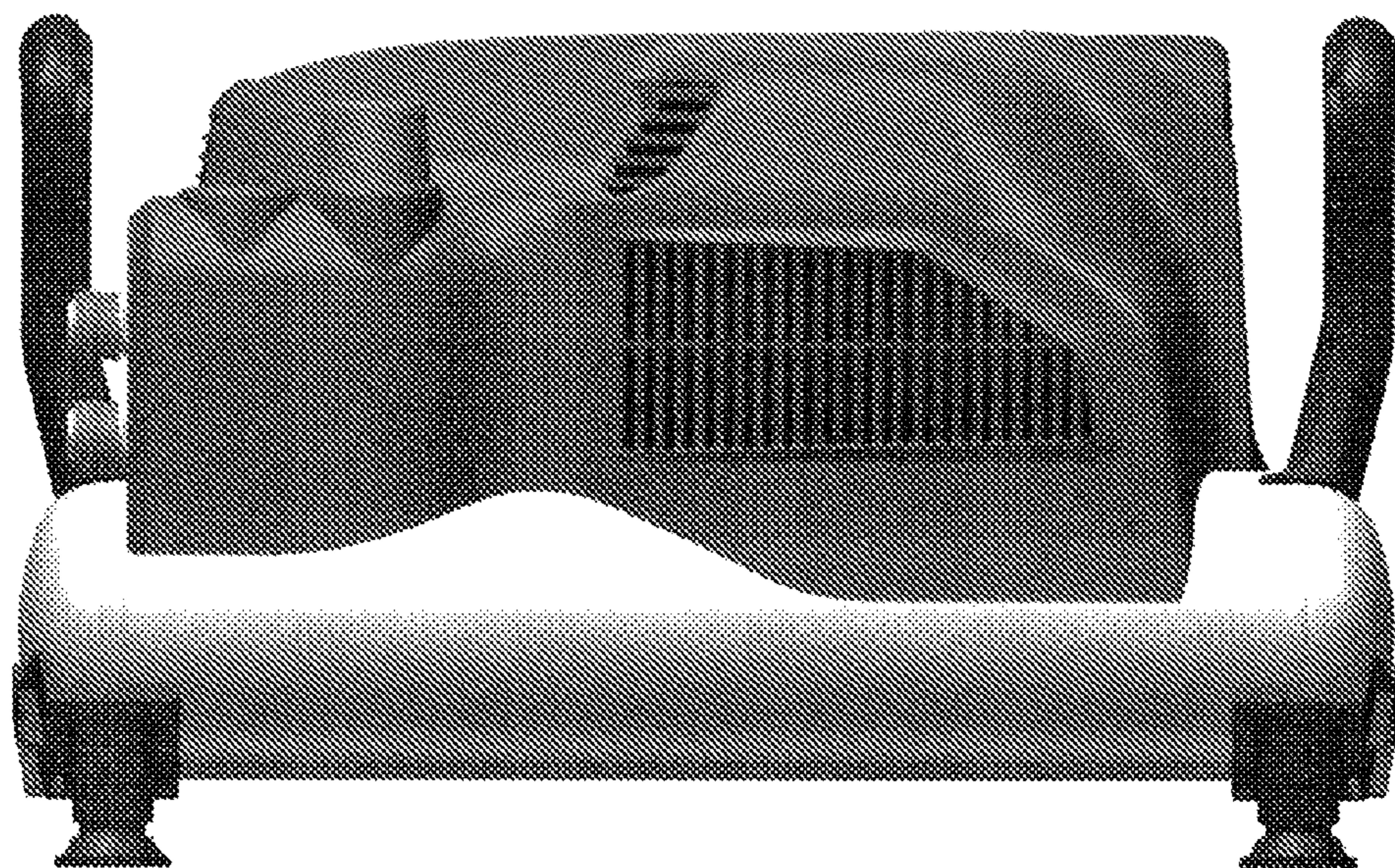


FIG. 2

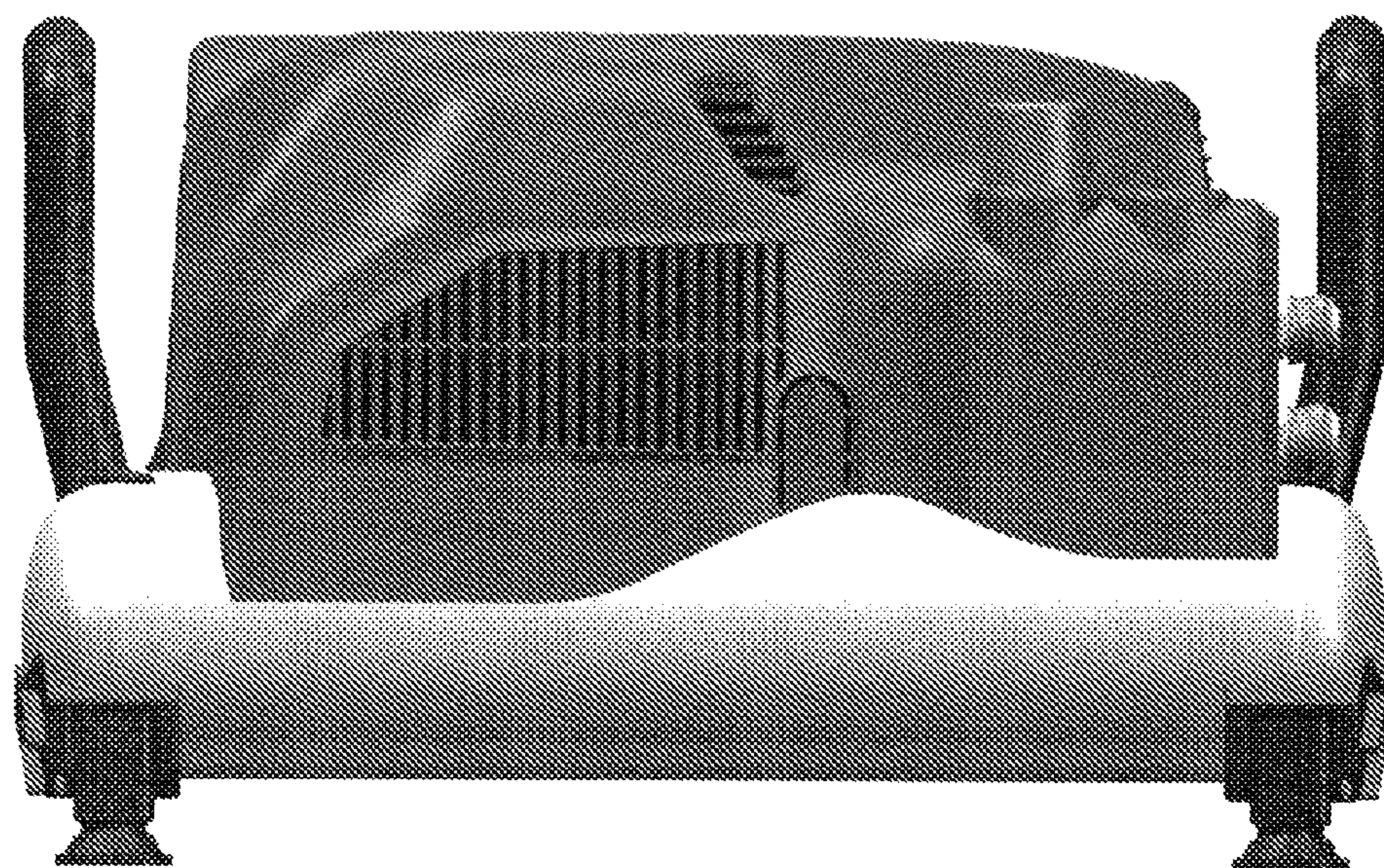


FIG. 3





FIG. 4

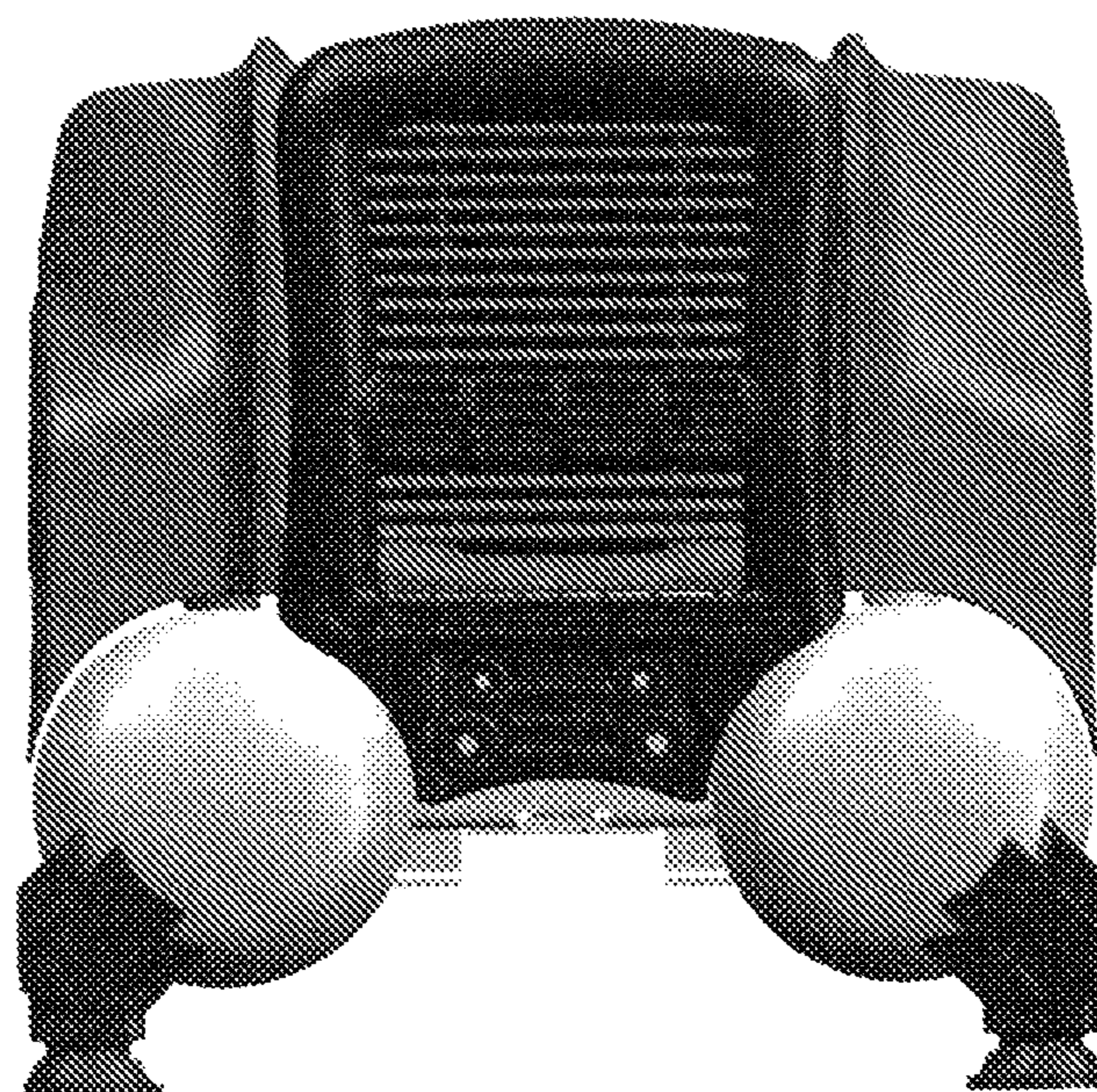


FIG. 5



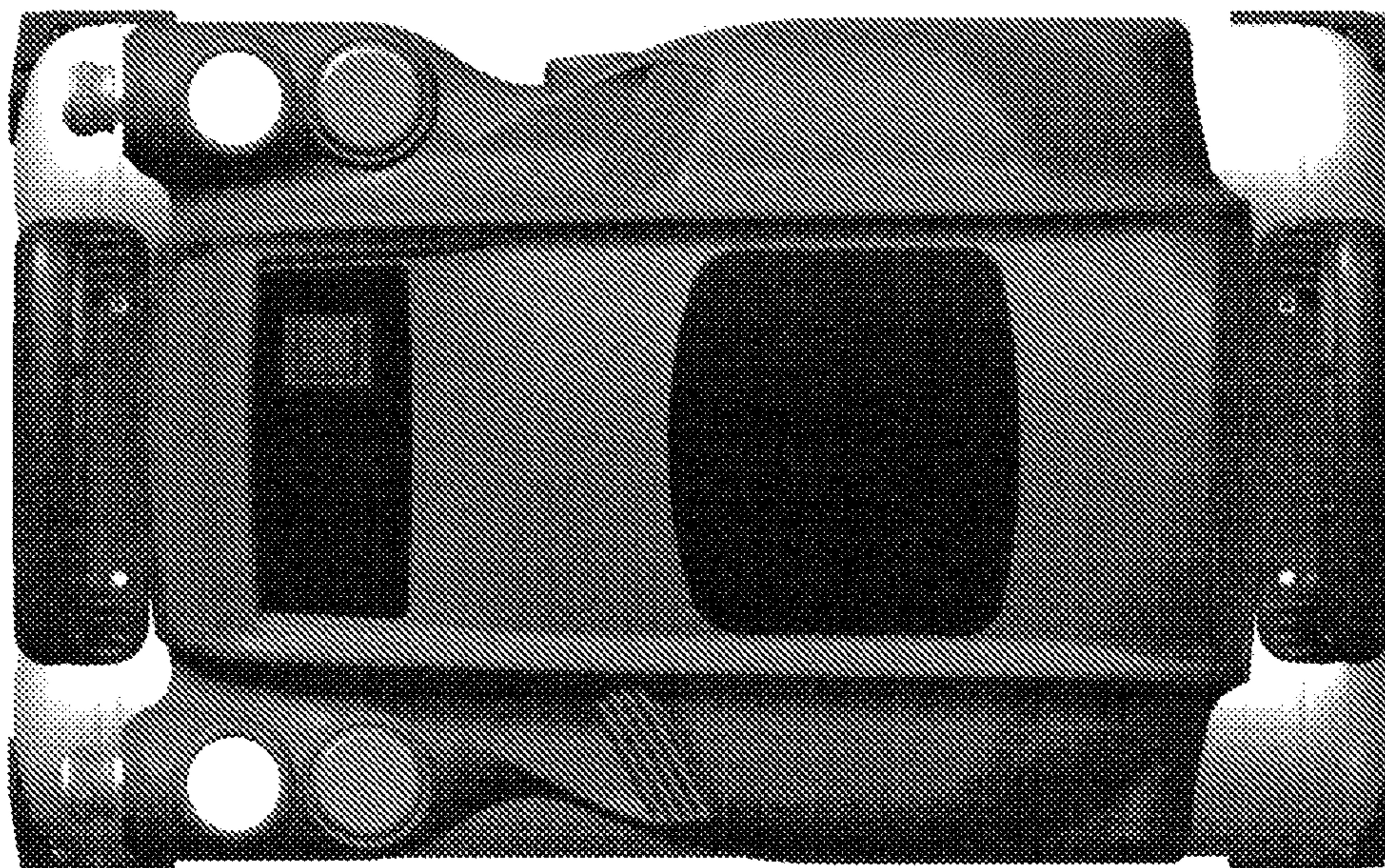


FIG. 6

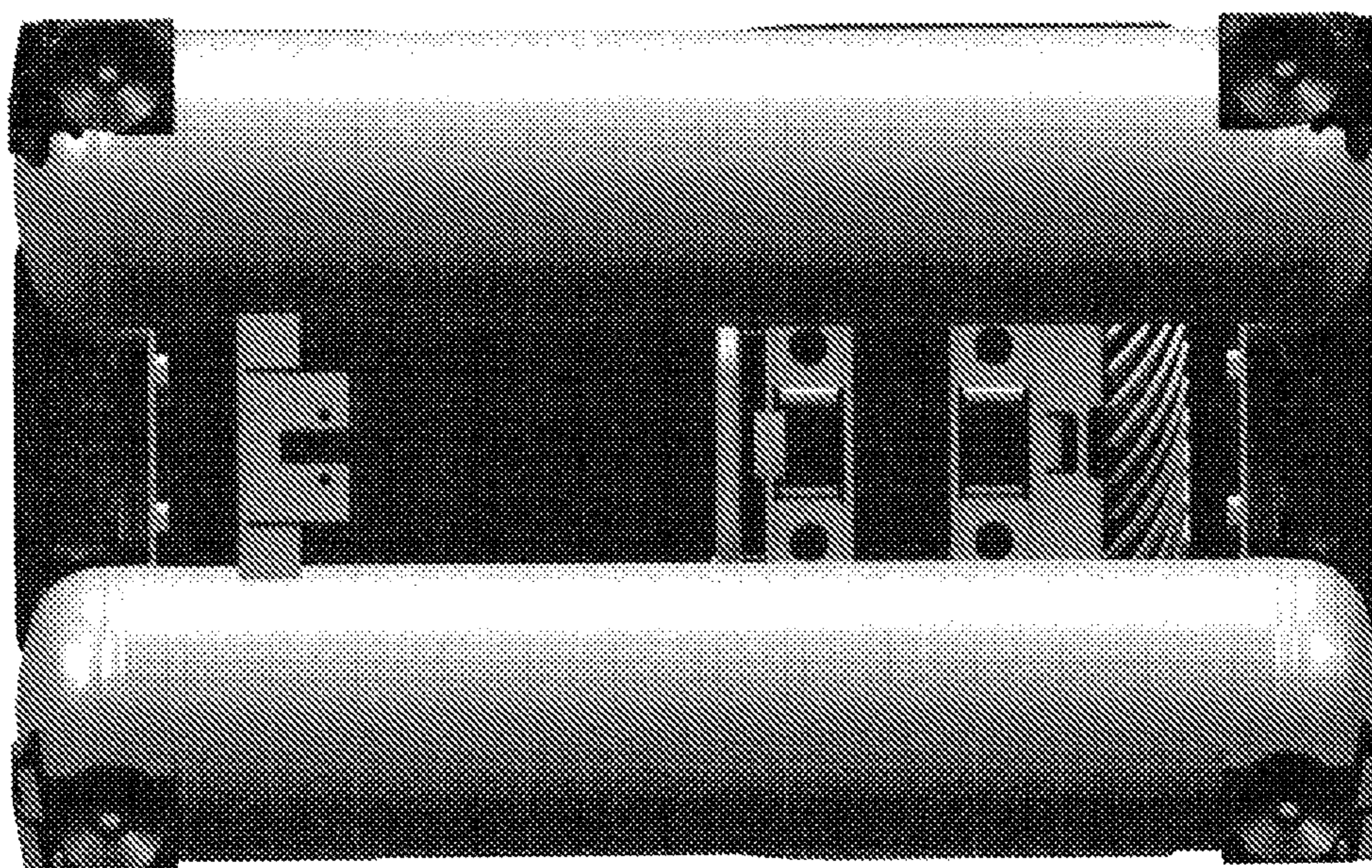


FIG. 7