



US00D603878S

(12) **United States Design Patent**
Chu

(10) **Patent No.:** **US D603,878 S**

(45) **Date of Patent:** **** Nov. 10, 2009**

(54) **SCROLL MEMBER FOR SCROLL COMPRESSOR**

(76) Inventor: **Henry C. Chu**, 133 N. Lemon St., Orange, CA (US) 92866

(**) Term: **14 Years**

(21) Appl. No.: **29/314,548**

(22) Filed: **Apr. 8, 2009**

(51) **LOC (9) Cl.** **15-02**

(52) **U.S. Cl.** **D15/9**

(58) **Field of Classification Search** D15/7-9;
D23/231, 232, 225; 417/410.1, 359, 415-416,
417/234, 321, 265, 405

See application file for complete search history.

(56) **References Cited**

U.S. PATENT DOCUMENTS

D258,589 S *	3/1981	Sugiura	D15/7
D443,281 S *	6/2001	Sodergard	D15/7
D554,150 S *	10/2007	Fausett et al.	D15/5
D583,391 S *	12/2008	Metcalf	D15/7

D586,826 S * 2/2009 Cantrill et al. D15/7

* cited by examiner

Primary Examiner—R. Seifert

(74) *Attorney, Agent, or Firm*—Charles E. Baxley

(57) **CLAIM**

The ornamental design for a scroll member for scroll compressor, as shown and described.

DESCRIPTION

FIG. 1 is a front perspective view of a scroll member for scroll compressor showing my new design;

FIG. 2 is a front elevational view thereof;

FIG. 3 is a rear elevational view thereof;

FIG. 4 is a top plan view thereof;

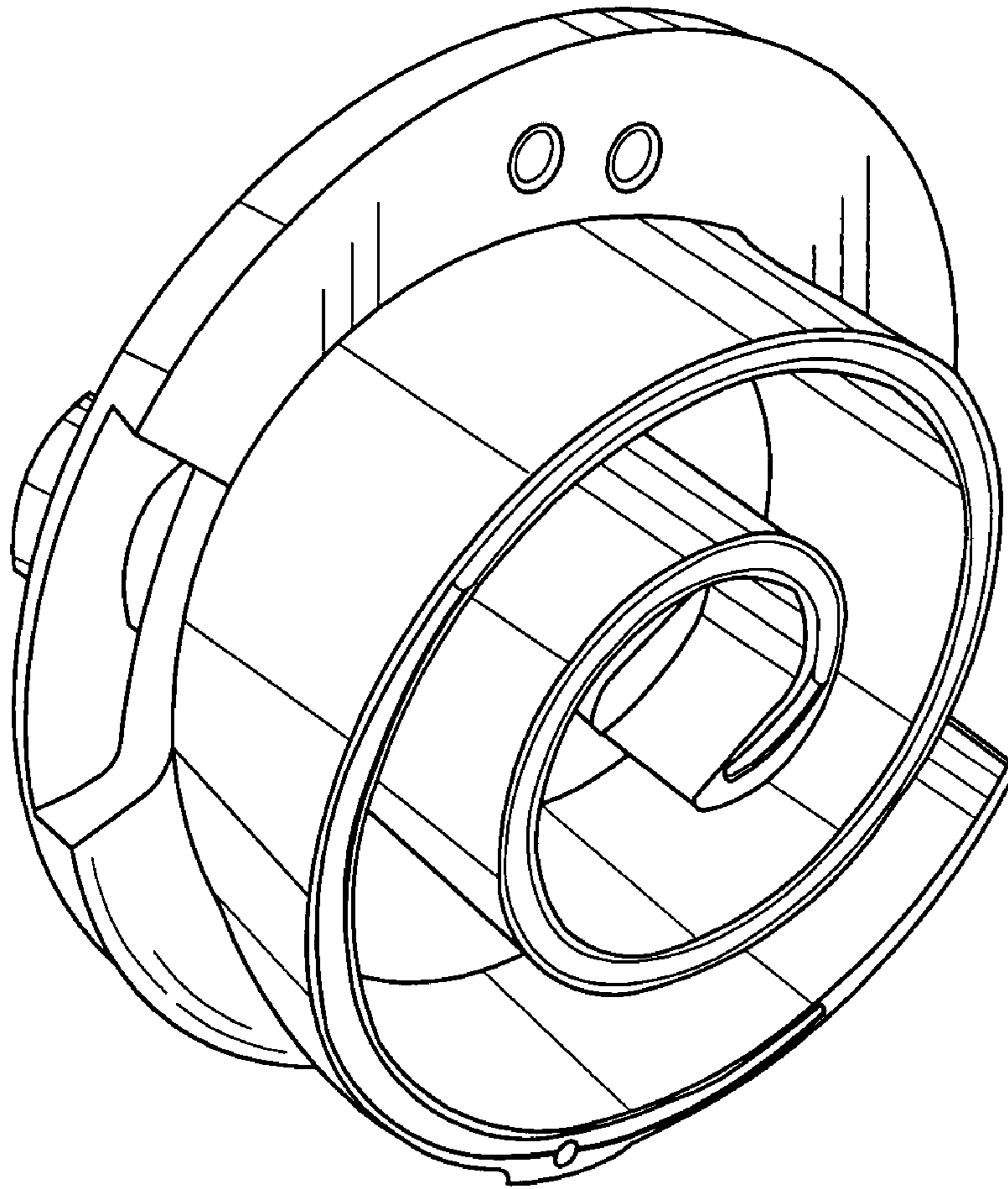
FIG. 5 is a bottom plan view thereof;

FIG. 6 is a left side elevational view thereof;

FIG. 7 is a right side elevational view thereof; and,

FIG. 8 is a rear perspective view thereof.

1 Claim, 4 Drawing Sheets



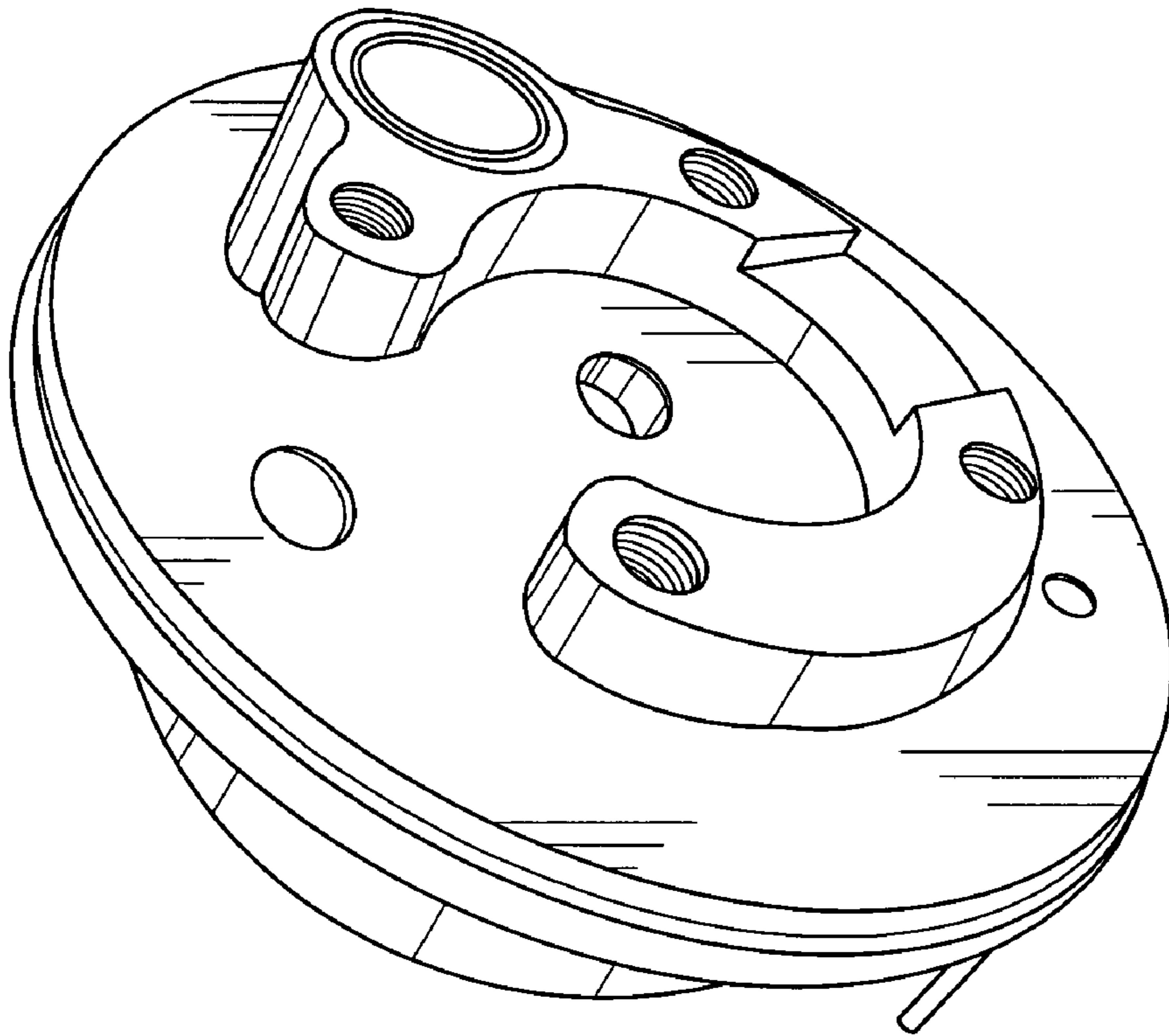


FIG. 8

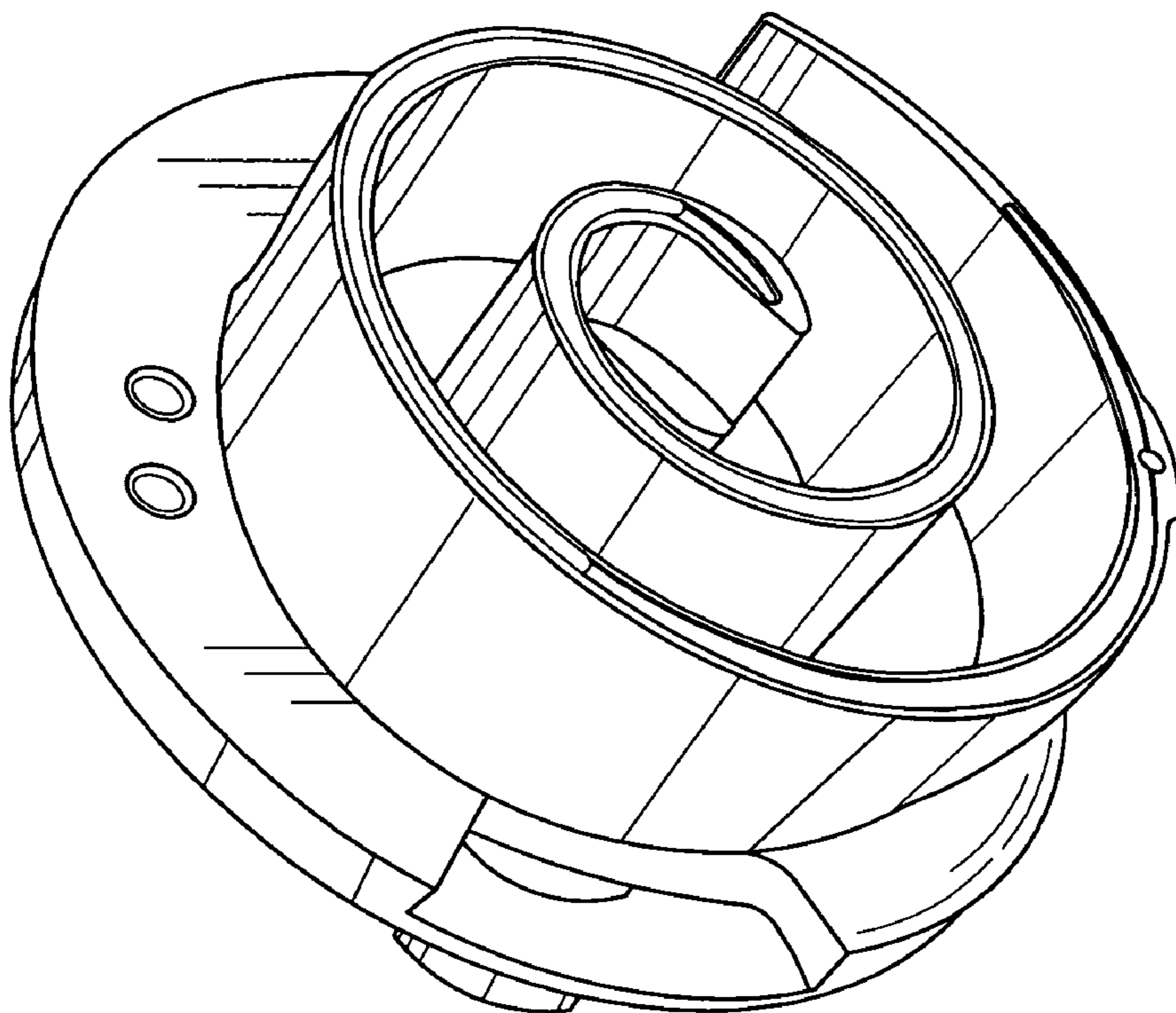


FIG. 1

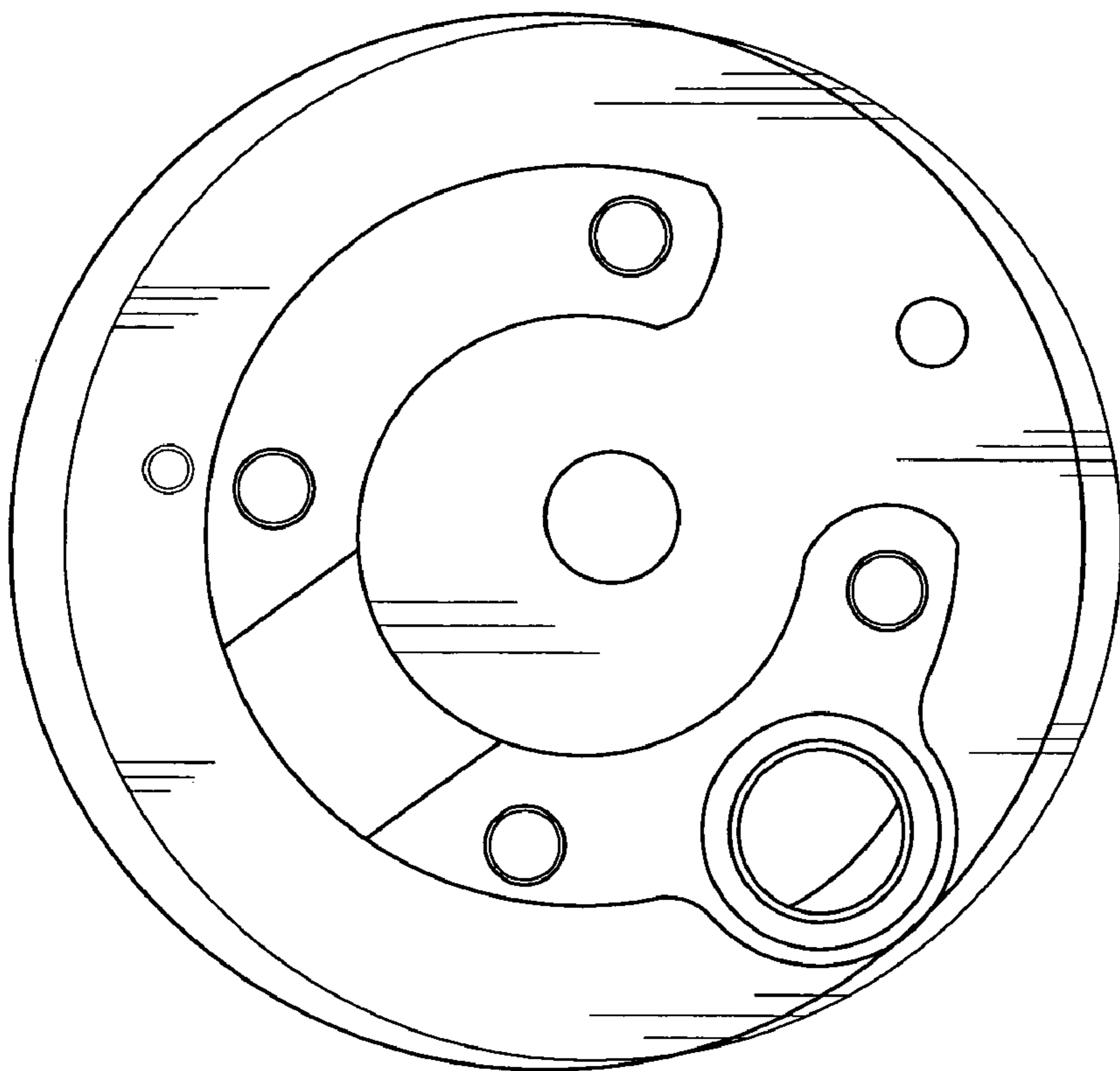


FIG. 2

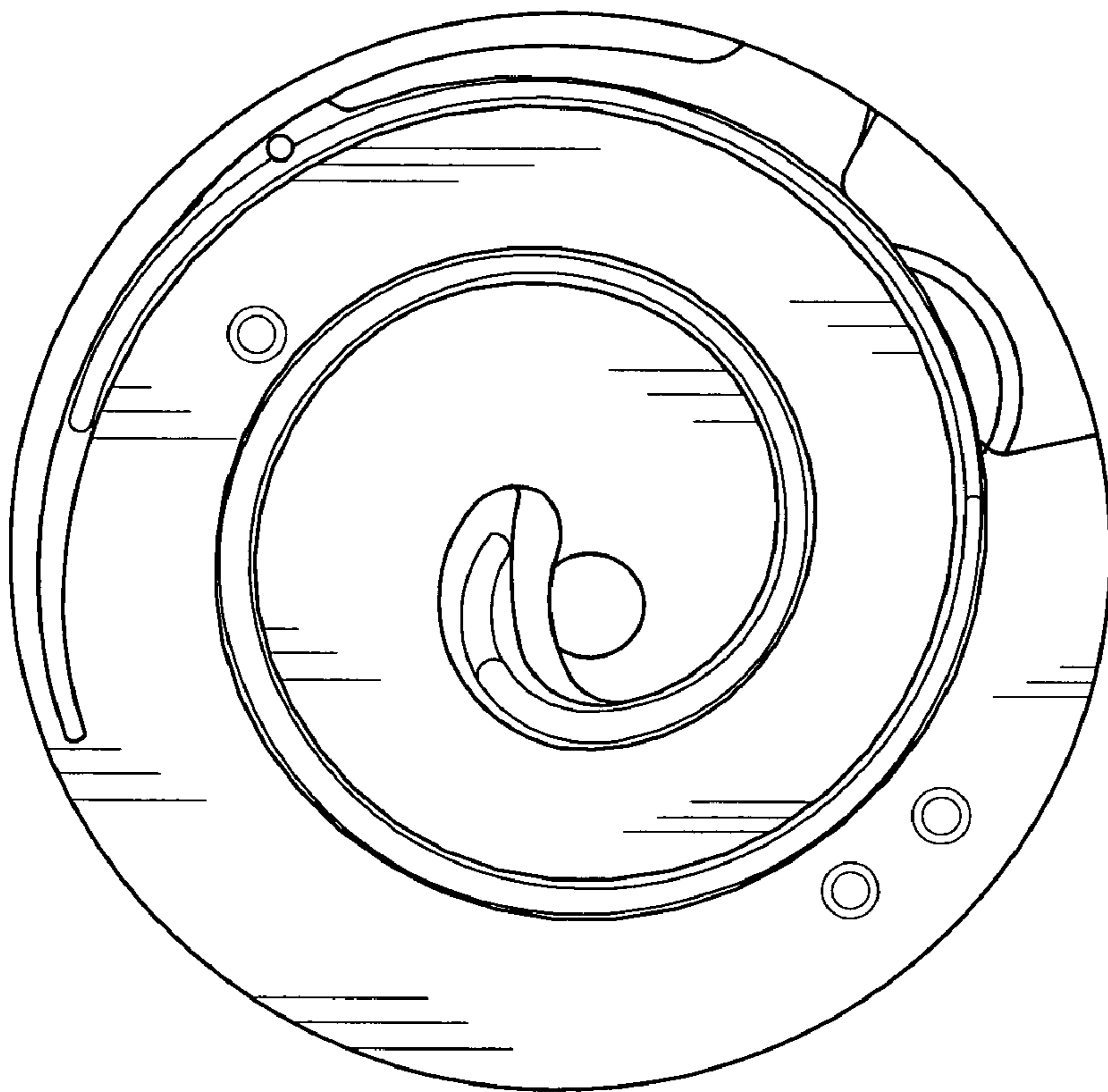


FIG. 3

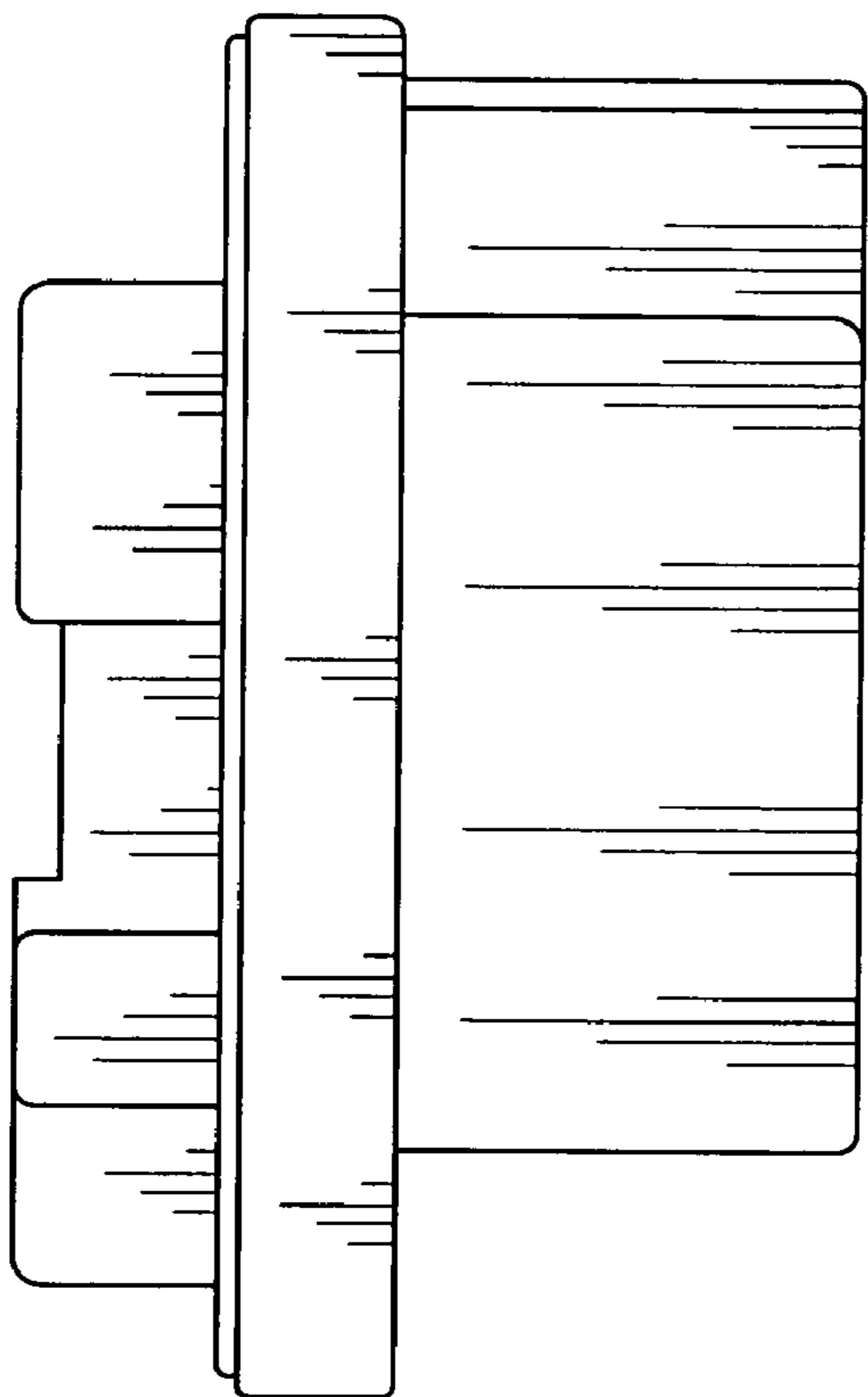


FIG. 4

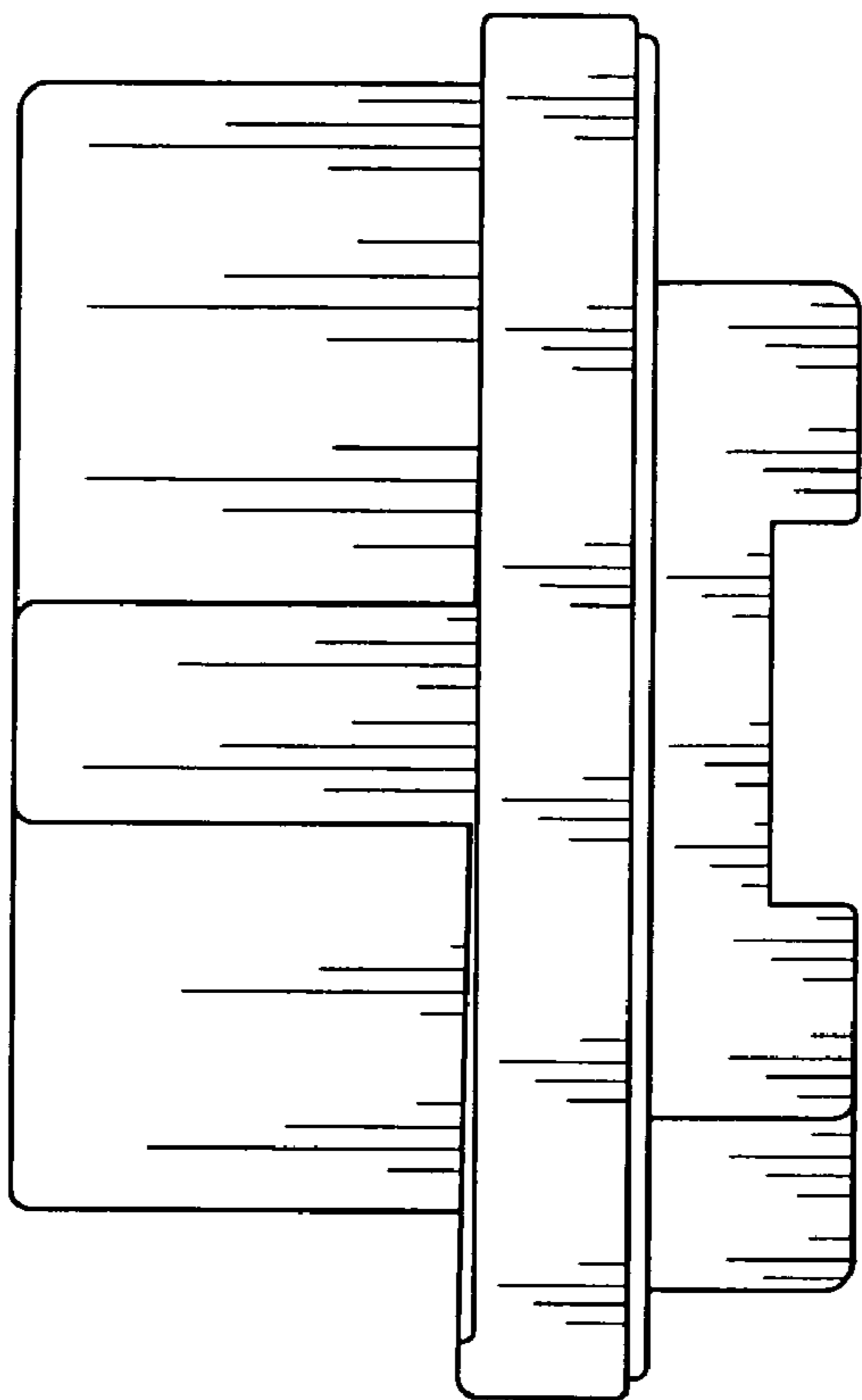


FIG. 5

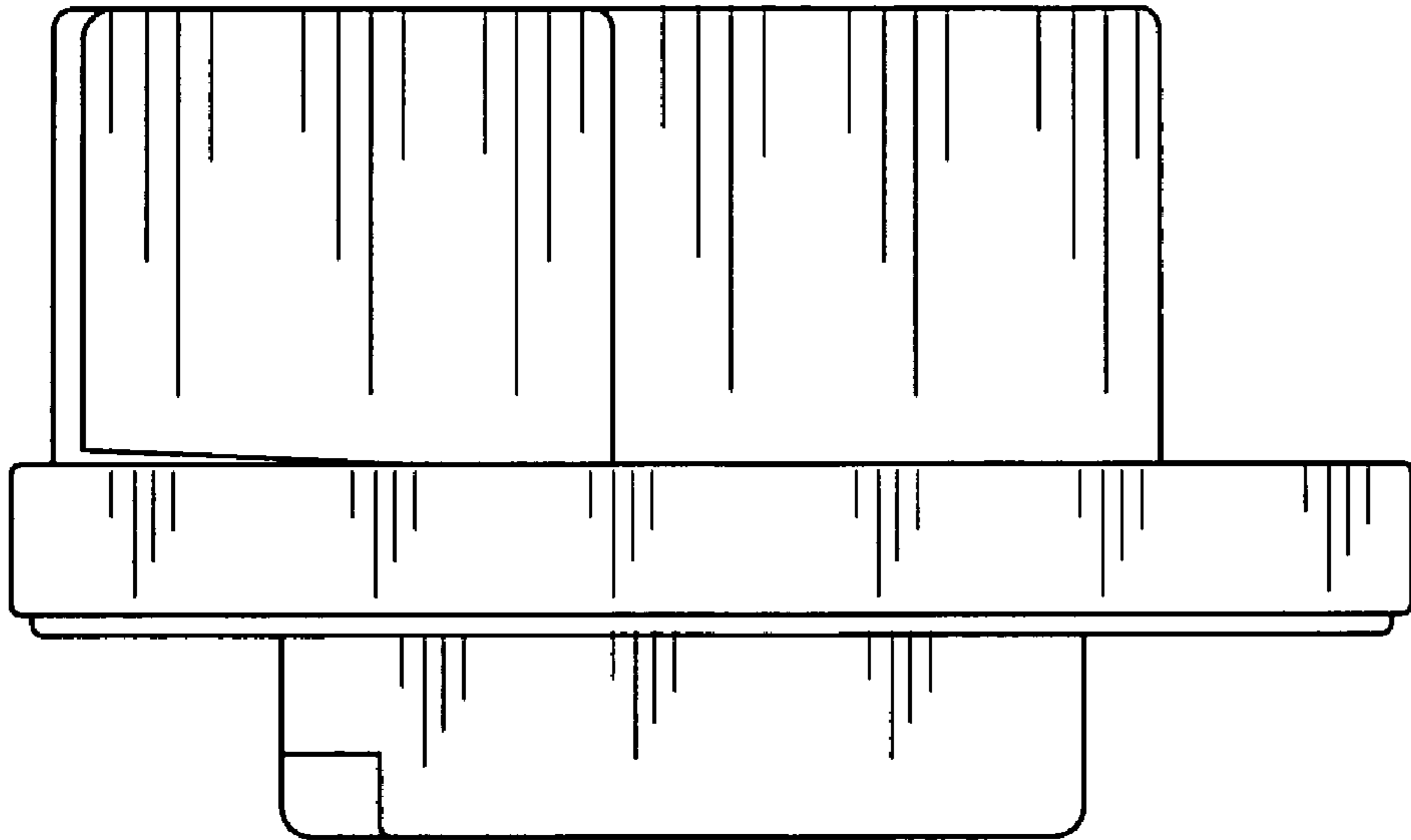


FIG. 6

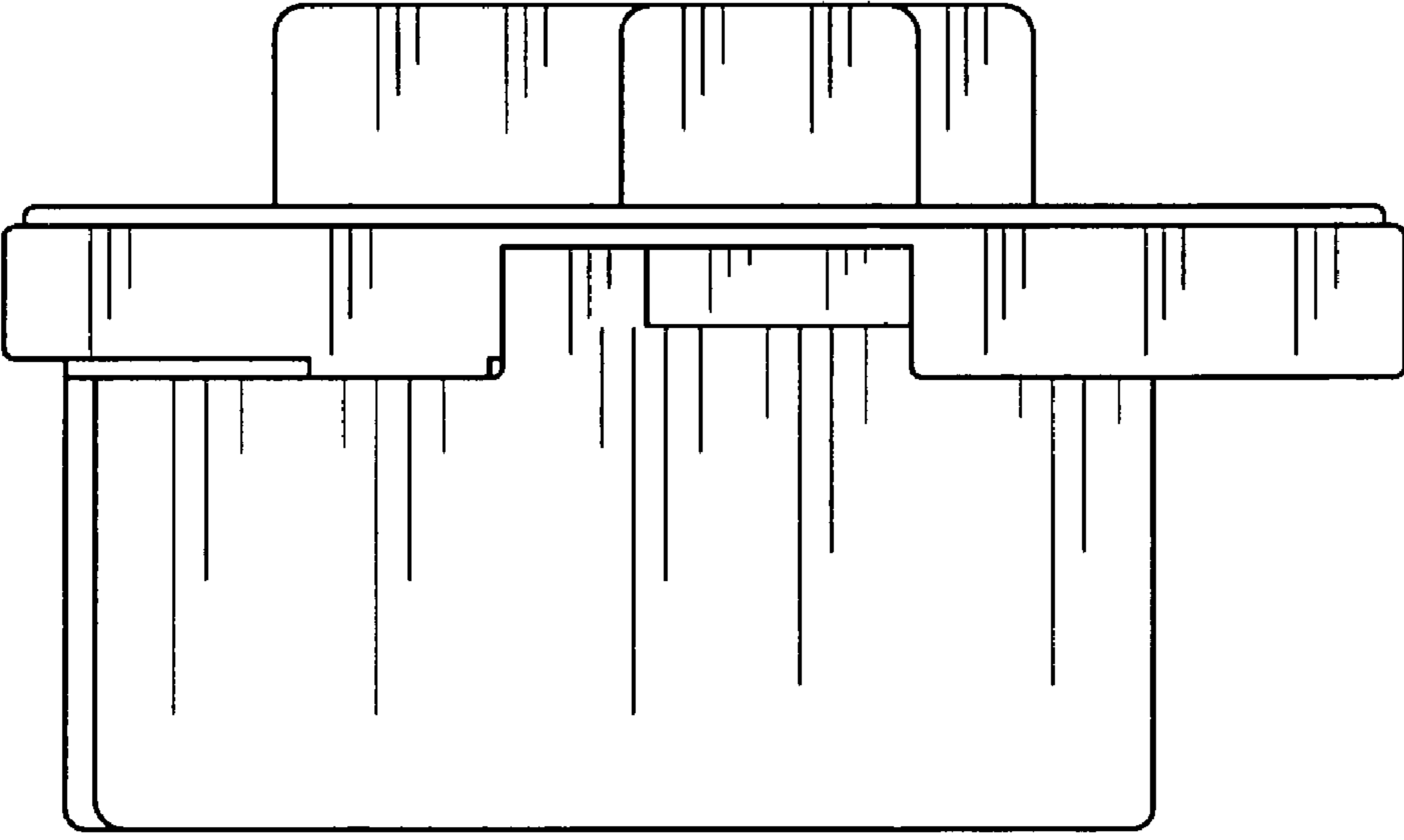


FIG. 7