



US00D603877S

(12) **United States Design Patent**
Chu

(10) **Patent No.:** **US D603,877 S**

(45) **Date of Patent:** **** Nov. 10, 2009**

(54) **AIR COMPRESSOR**

(76) Inventor: **Henry C. Chu**, 133 N. Lemon St.,
Orange, CA (US) 92866

(**) Term: **14 Years**

(21) Appl. No.: **29/313,574**

(22) Filed: **Jan. 22, 2009**

(51) **LOC (9) Cl.** **15-02**

(52) **U.S. Cl.** **D15/9**

(58) **Field of Classification Search** D15/7-9;
D23/231, 232; 417/410.1, 359, 415-416,
417/234, 321, 265, 405, 313

See application file for complete search history.

(56) **References Cited**

U.S. PATENT DOCUMENTS

D381,993	S	*	8/1997	Takenaka et al.	D15/9
D441,377	S	*	5/2001	Kawaguchi et al.	D15/9
D441,378	S	*	5/2001	Kou	D15/9
D460,460	S	*	7/2002	Kayukawa et al.	D15/9
D462,364	S	*	9/2002	Fujita et al.	D15/9
D466,526	S	*	12/2002	Fujii et al.	D15/9
D537,452	S	*	2/2007	Chu	D15/9

D537,843	S	*	3/2007	Chu	D15/9
D538,301	S	*	3/2007	Chu	D15/9
D540,823	S	*	4/2007	An	D15/9

* cited by examiner

Primary Examiner—R. Seifert

(74) *Attorney, Agent, or Firm*—Charles E. Baxley

(57) **CLAIM**

The ornamental design for an air compressor, as shown and described.

DESCRIPTION

FIG. 1 is a front perspective view of an air compressor showing my new design;

FIG. 2 is a front elevational view thereof;

FIG. 3 is a rear elevational view thereof;

FIG. 4 is a top plan view thereof;

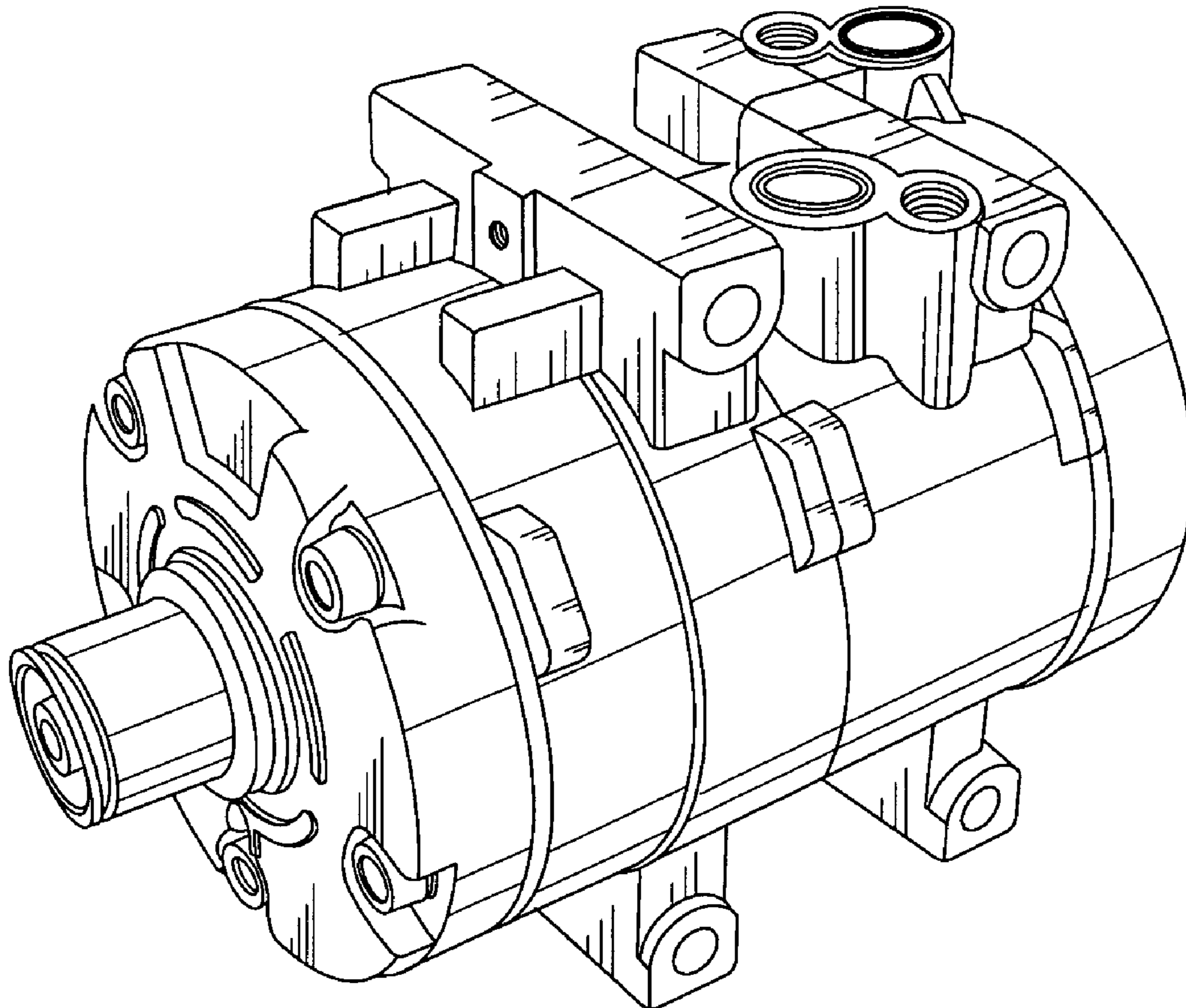
FIG. 5 is a bottom plan view thereof;

FIG. 6 is a left side elevational view thereof;

FIG. 7 is a right side elevational view thereof; and,

FIG. 8 is a rear perspective view thereof.

1 Claim, 4 Drawing Sheets



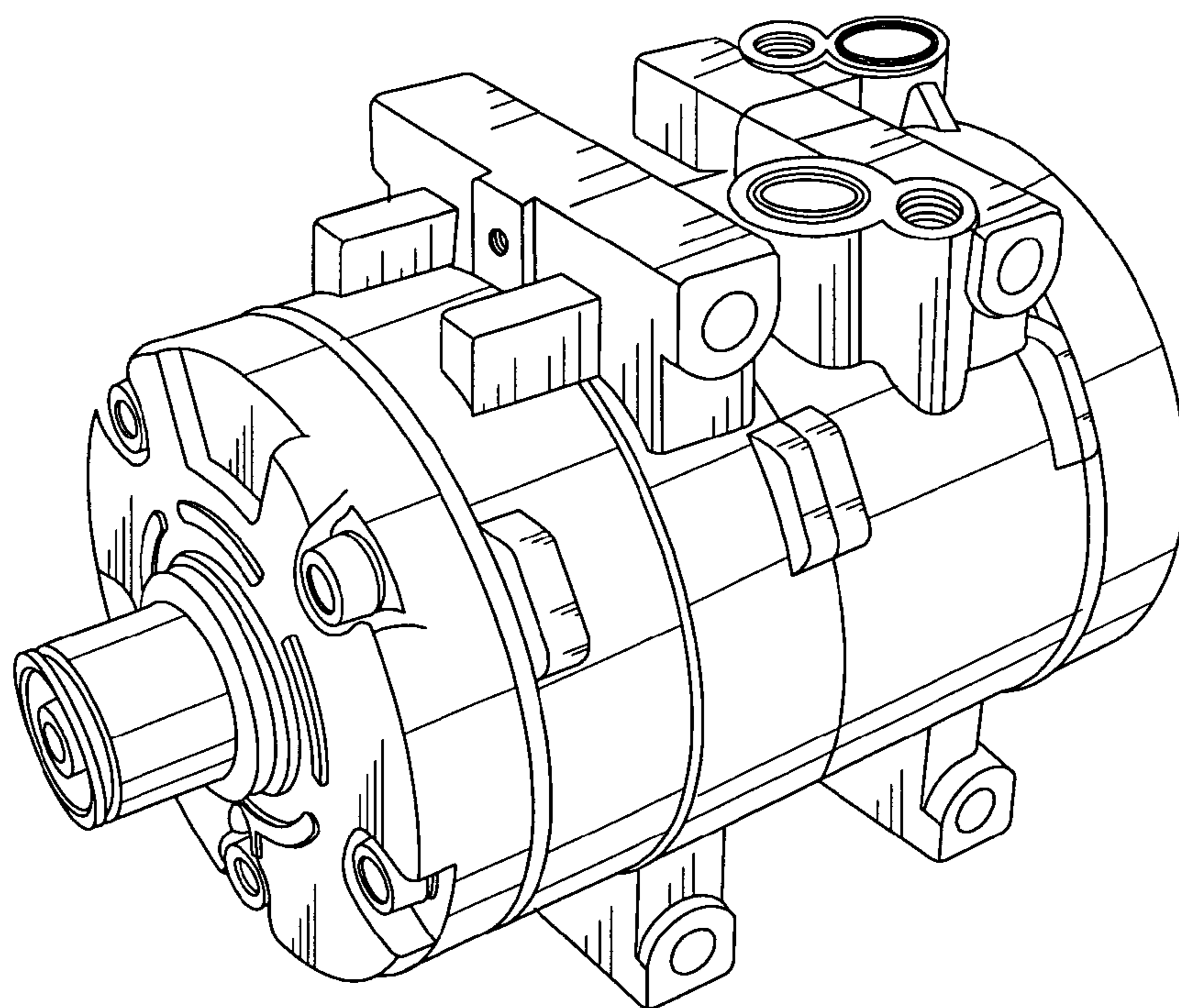


FIG. 1

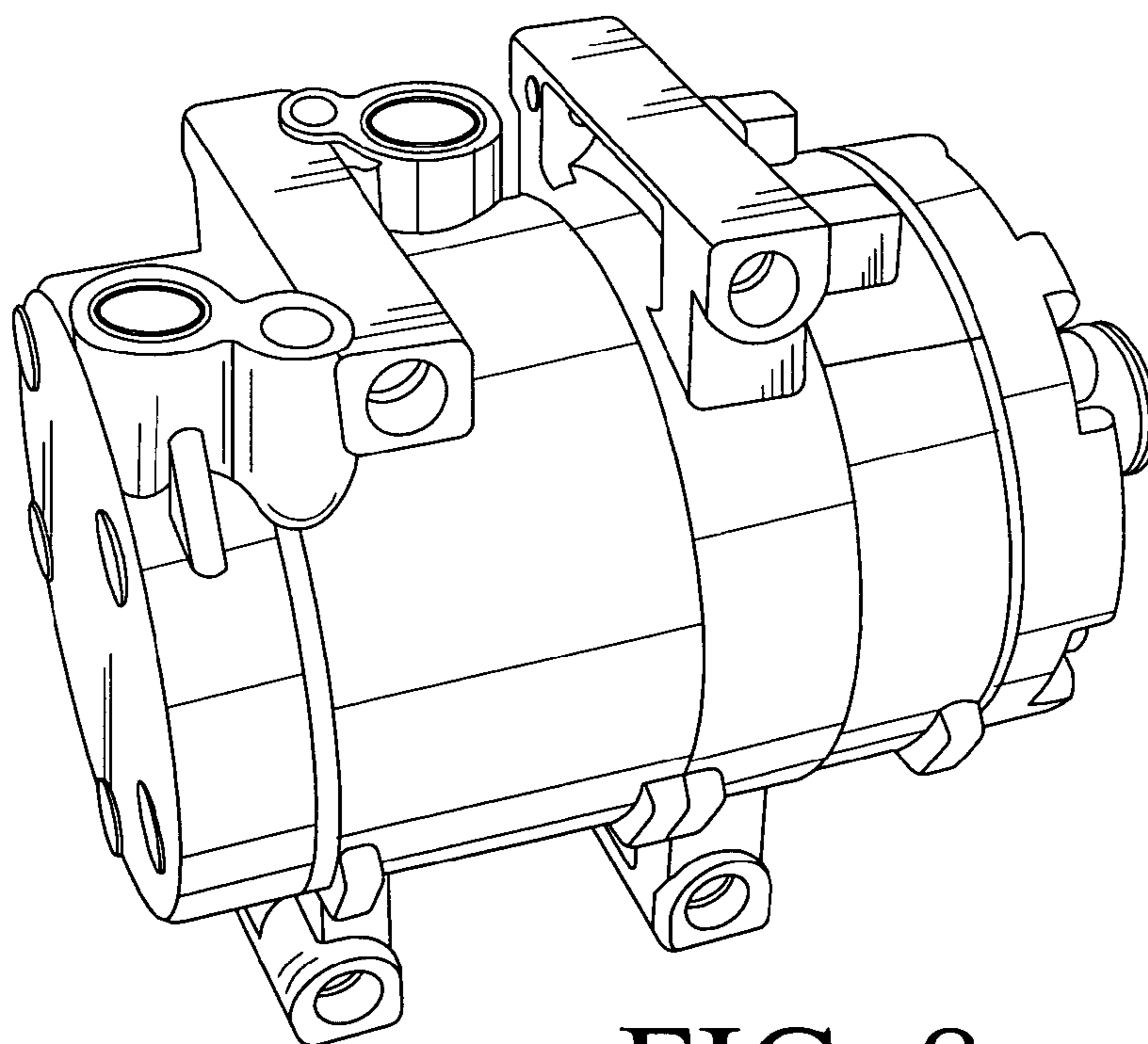


FIG. 8

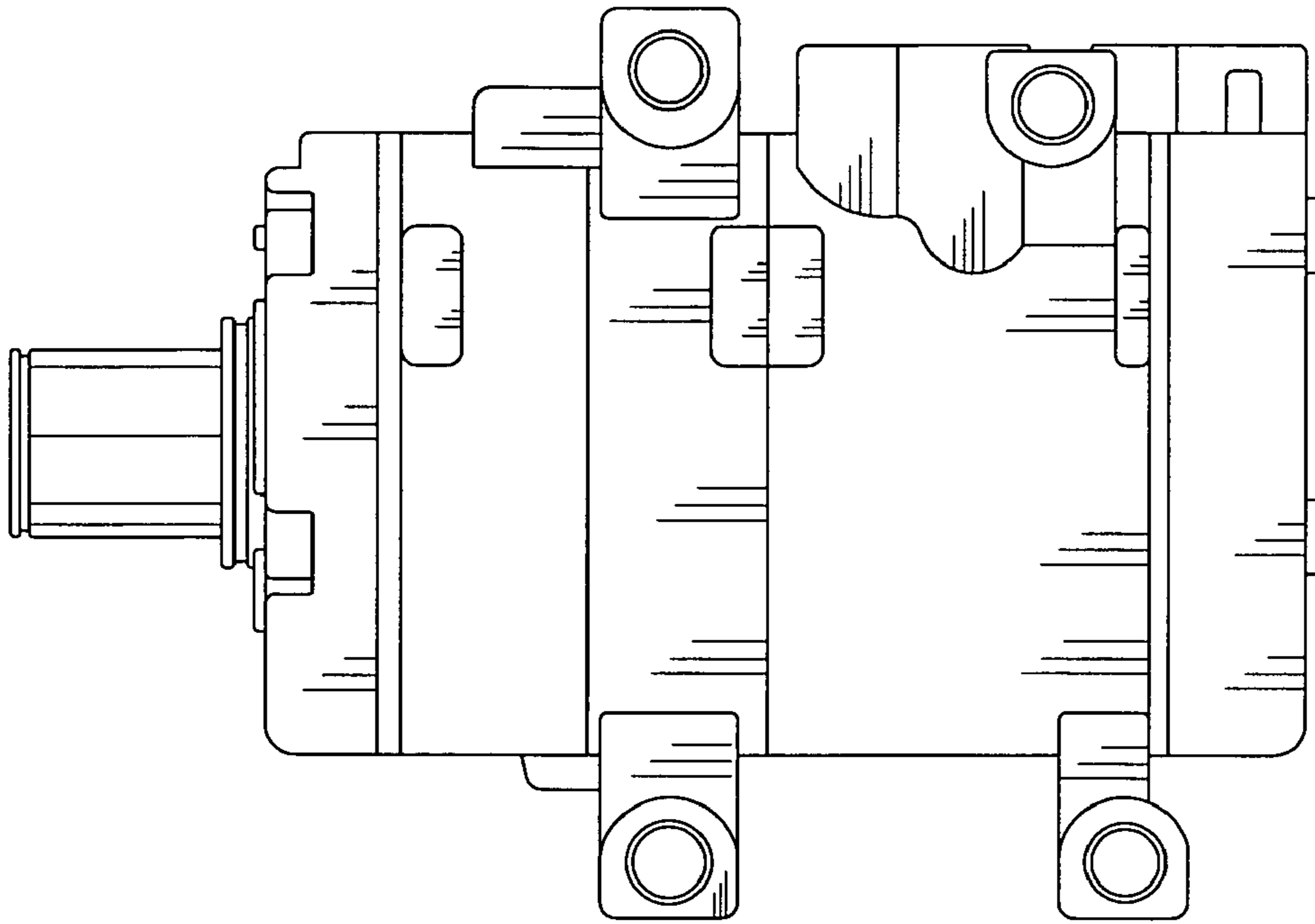


FIG. 2

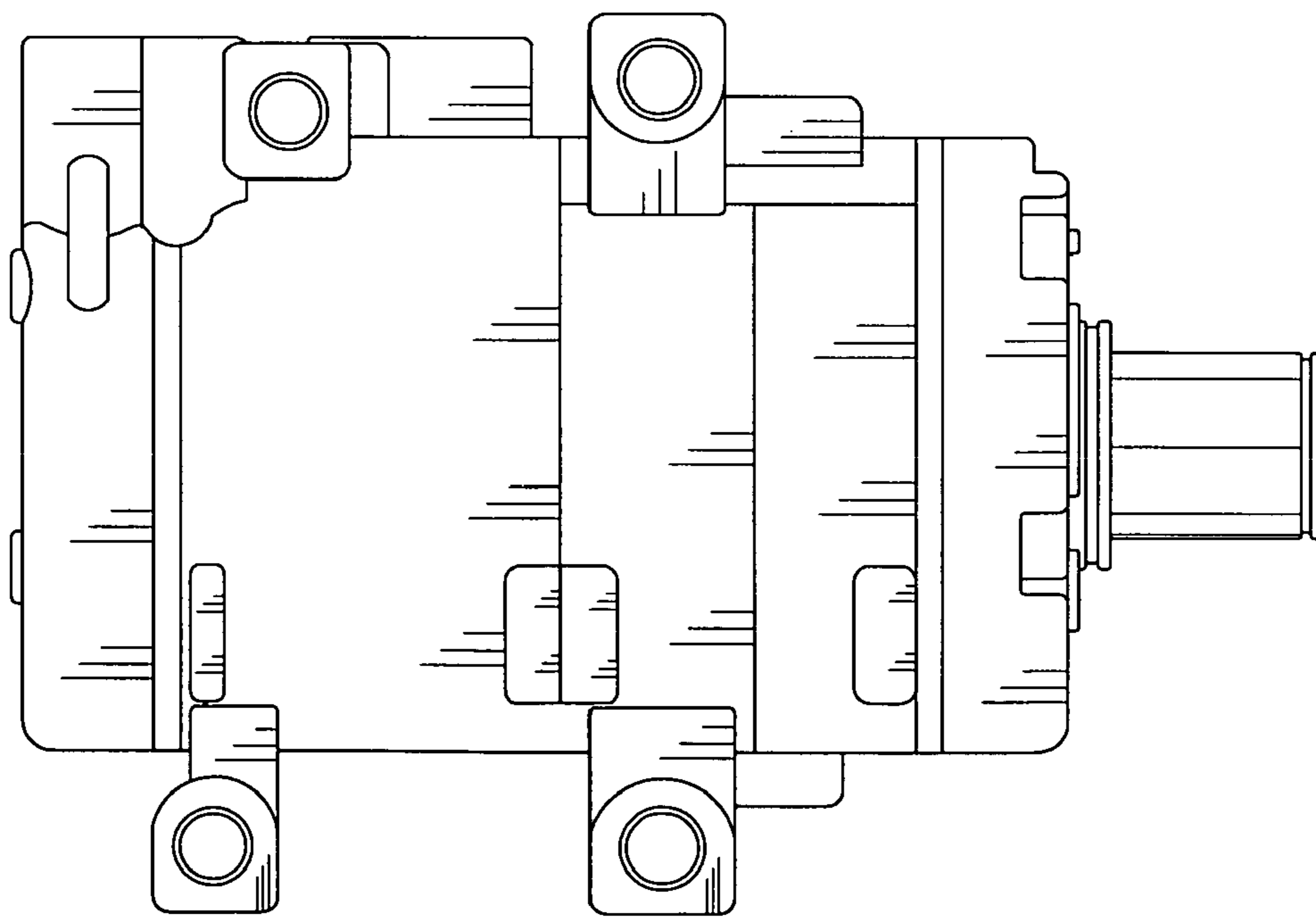


FIG. 3

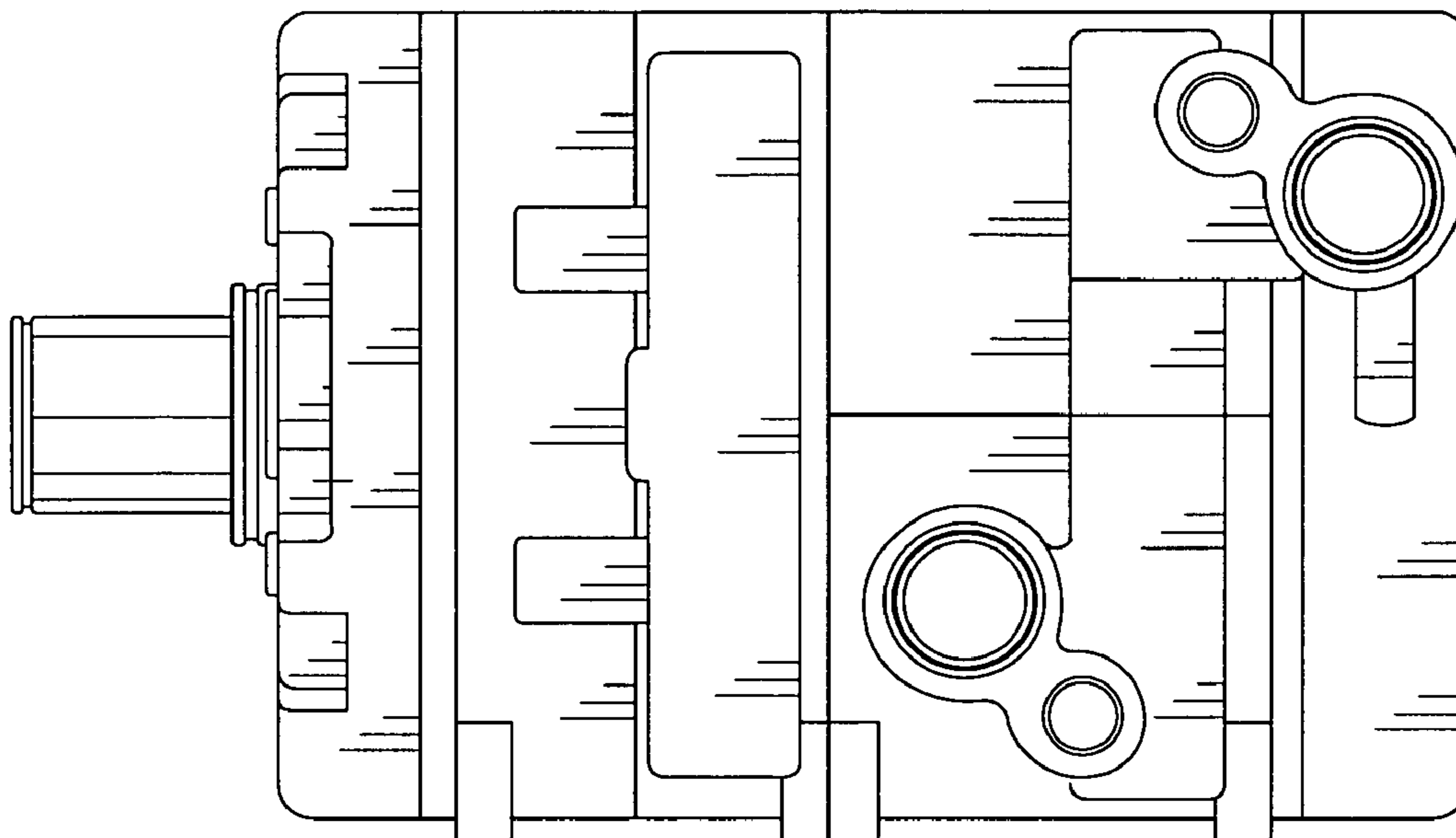


FIG. 4

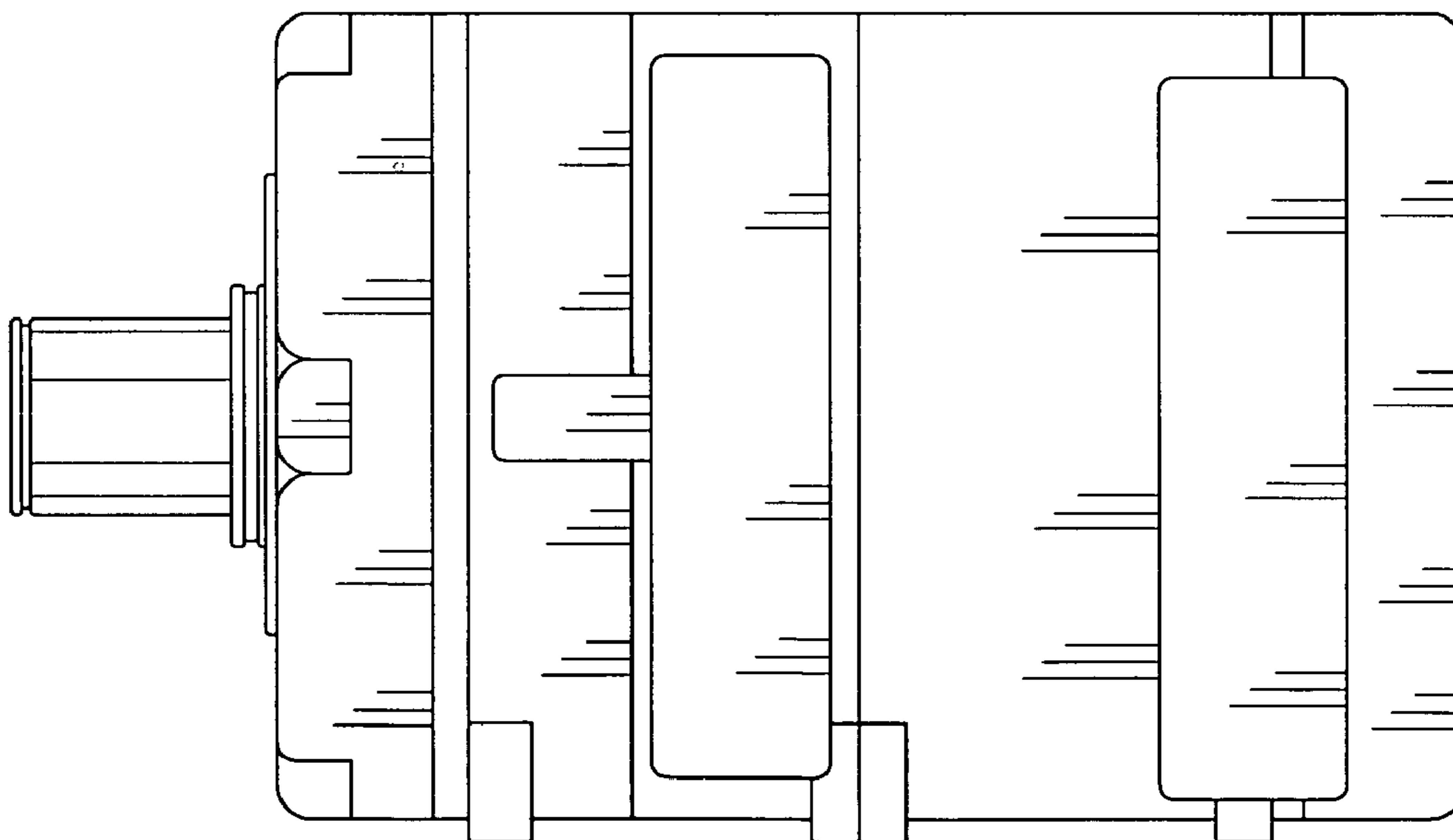


FIG. 5

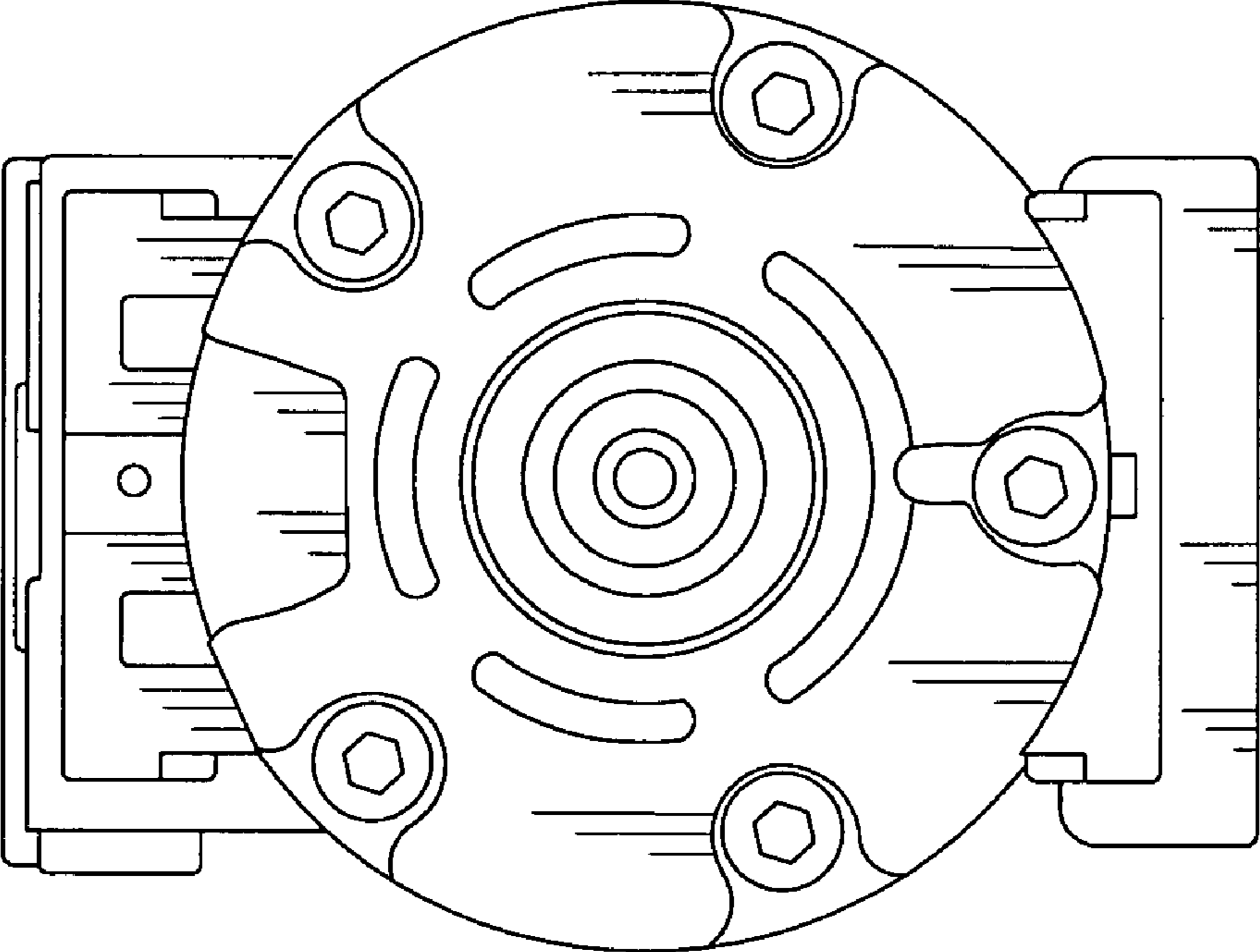


FIG. 6

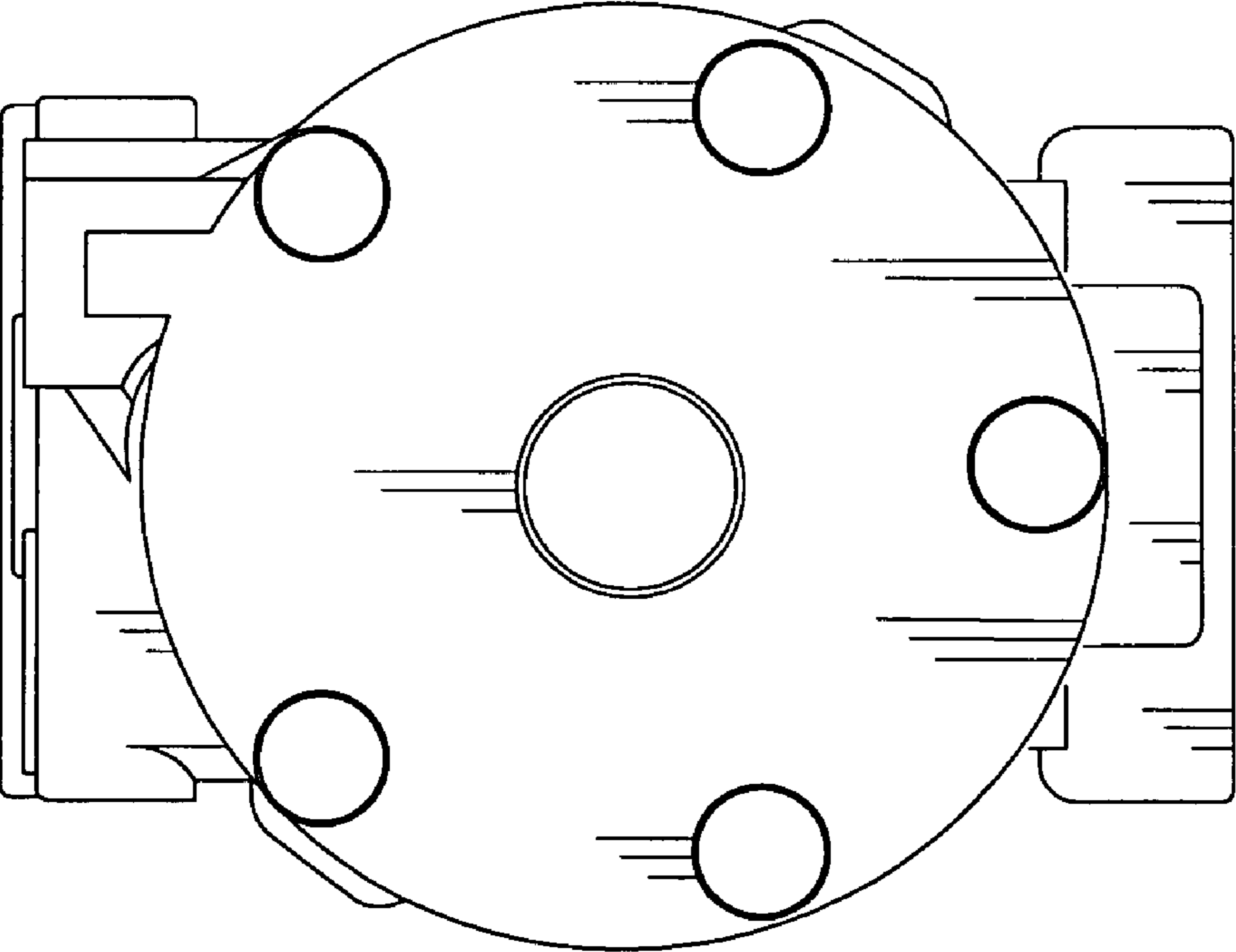


FIG. 7