



US00D603876S

(12) **United States Design Patent**  
**Chu**

(10) **Patent No.:** **US D603,876 S**

(45) **Date of Patent:** **\*\* Nov. 10, 2009**

(54) **AIR COMPRESSOR**

(76) Inventor: **Henry C. Chu**, 133 N. Lemon St.,  
Orange, CA (US) 92866

(\*\*) Term: **14 Years**

(21) Appl. No.: **29/313,573**

(22) Filed: **Jan. 22, 2009**

(51) **LOC (9) Cl.** ..... **15-02**

(52) **U.S. Cl.** ..... **D15/9**

(58) **Field of Classification Search** ..... D15/7-9;  
D23/231, 232; 417/410.1, 359, 415-416,  
417/234, 321, 265, 405, 313

See application file for complete search history.

(56) **References Cited**

**U.S. PATENT DOCUMENTS**

D381,993 S *	8/1997	Takenaka et al.	.....	D15/9
D441,377 S *	5/2001	Kawaguchi et al.	.....	D15/9
D441,378 S *	5/2001	Kou	.....	D15/9
D460,460 S *	7/2002	Kayukawa et al.	.....	D15/9
D462,364 S *	9/2002	Fujita et al.	.....	D15/9
D466,526 S *	12/2002	Fujii et al.	.....	D15/9
D537,452 S *	2/2007	Chu	.....	D15/9

D537,843 S *	3/2007	Chu	.....	D15/9
D538,301 S *	3/2007	Chu	.....	D15/9
D540,823 S *	4/2007	An	.....	D15/9

\* cited by examiner

*Primary Examiner*—R. Seifert

(74) *Attorney, Agent, or Firm*—Charles E. Baxley

(57) **CLAIM**

The ornamental design for an air compressor, as shown and described.

**DESCRIPTION**

FIG. 1 is a front perspective view of an air compressor showing my new design;

FIG. 2 is a front elevational view thereof;

FIG. 3 is a rear elevational view thereof;

FIG. 4 is a top plan view thereof;

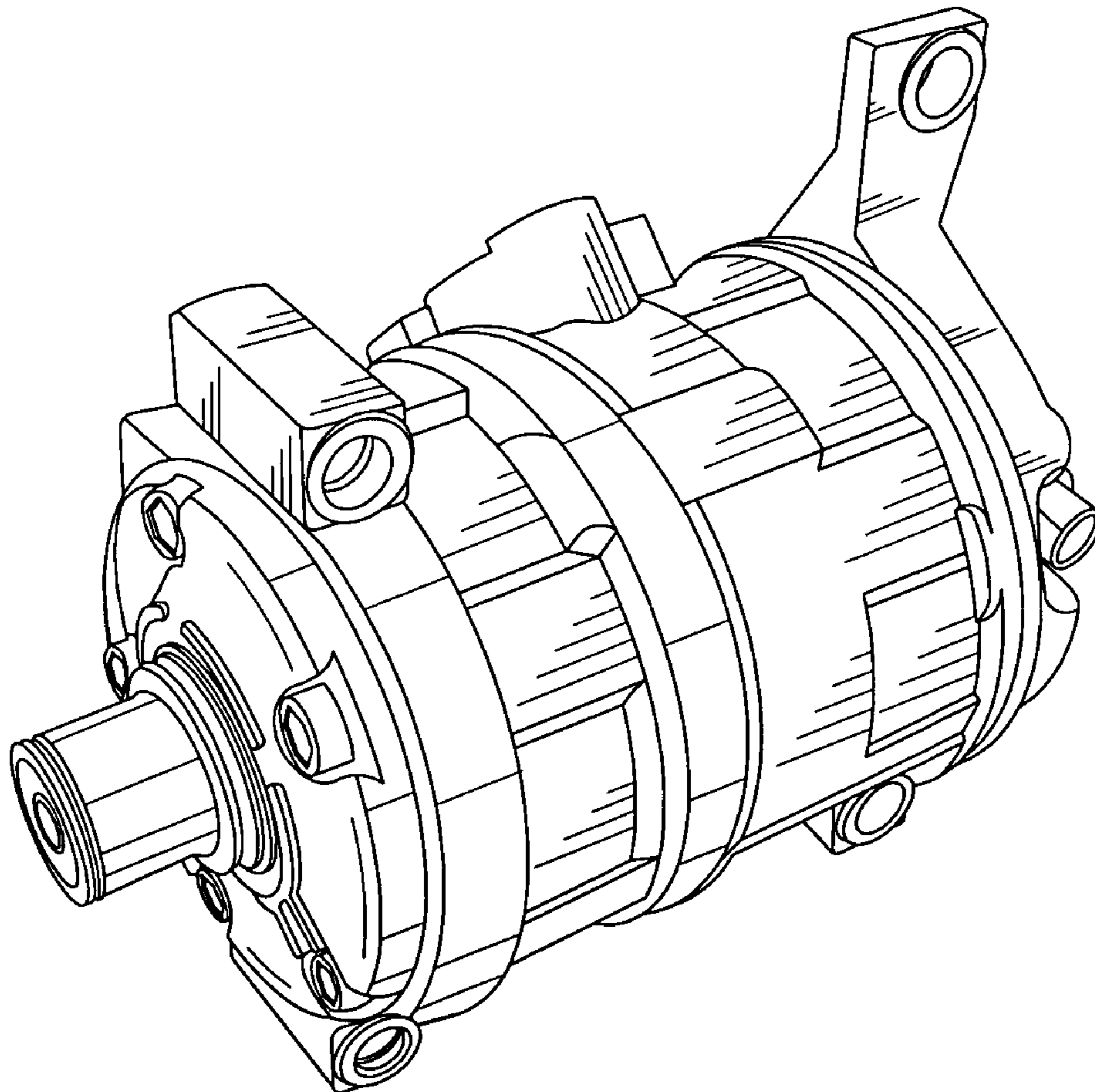
FIG. 5 is a bottom plan view thereof;

FIG. 6 is a left side elevational view thereof;

FIG. 7 is a right side elevational view thereof; and,

FIG. 8 is a rear perspective view thereof.

**1 Claim, 4 Drawing Sheets**



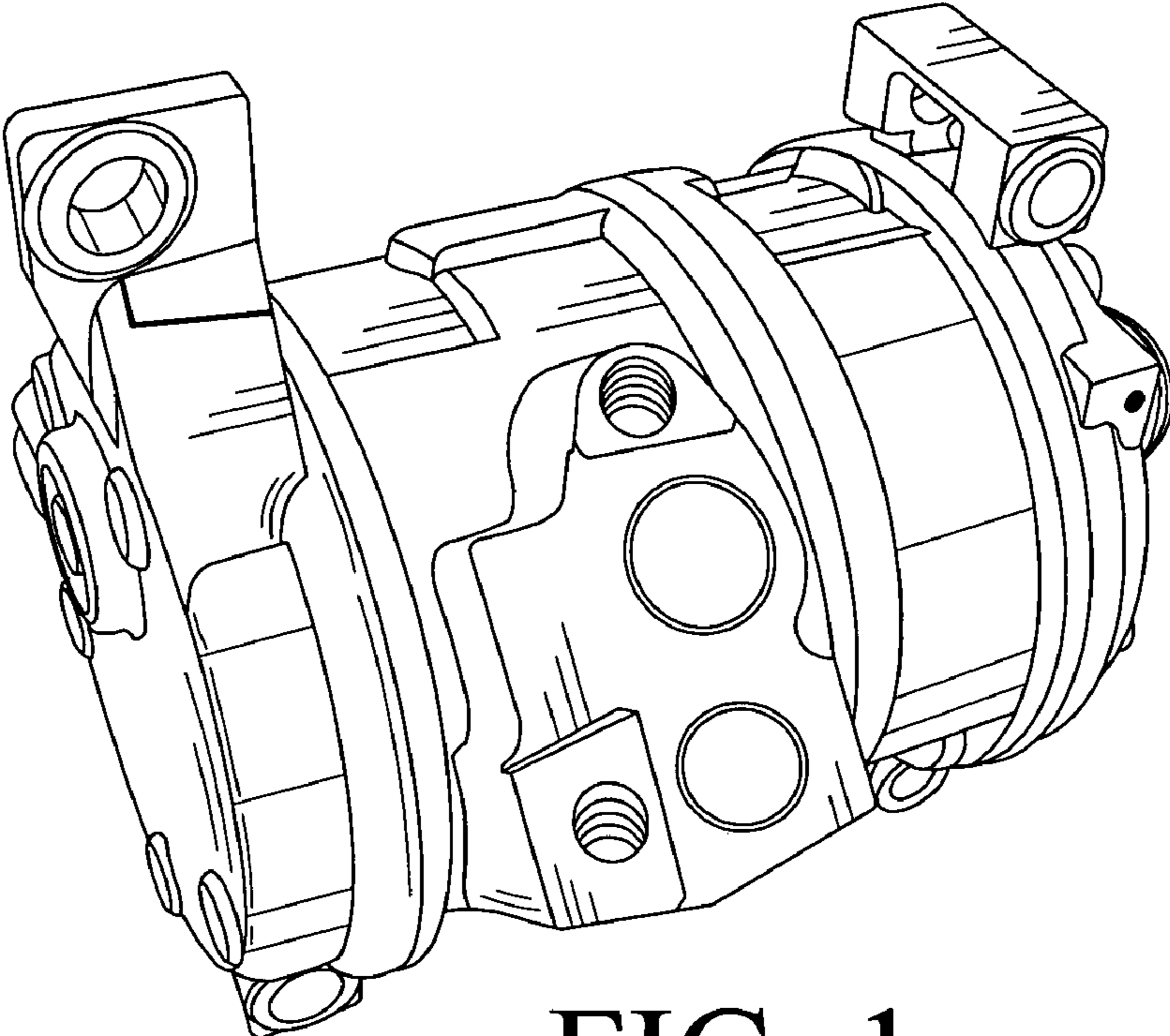


FIG. 1

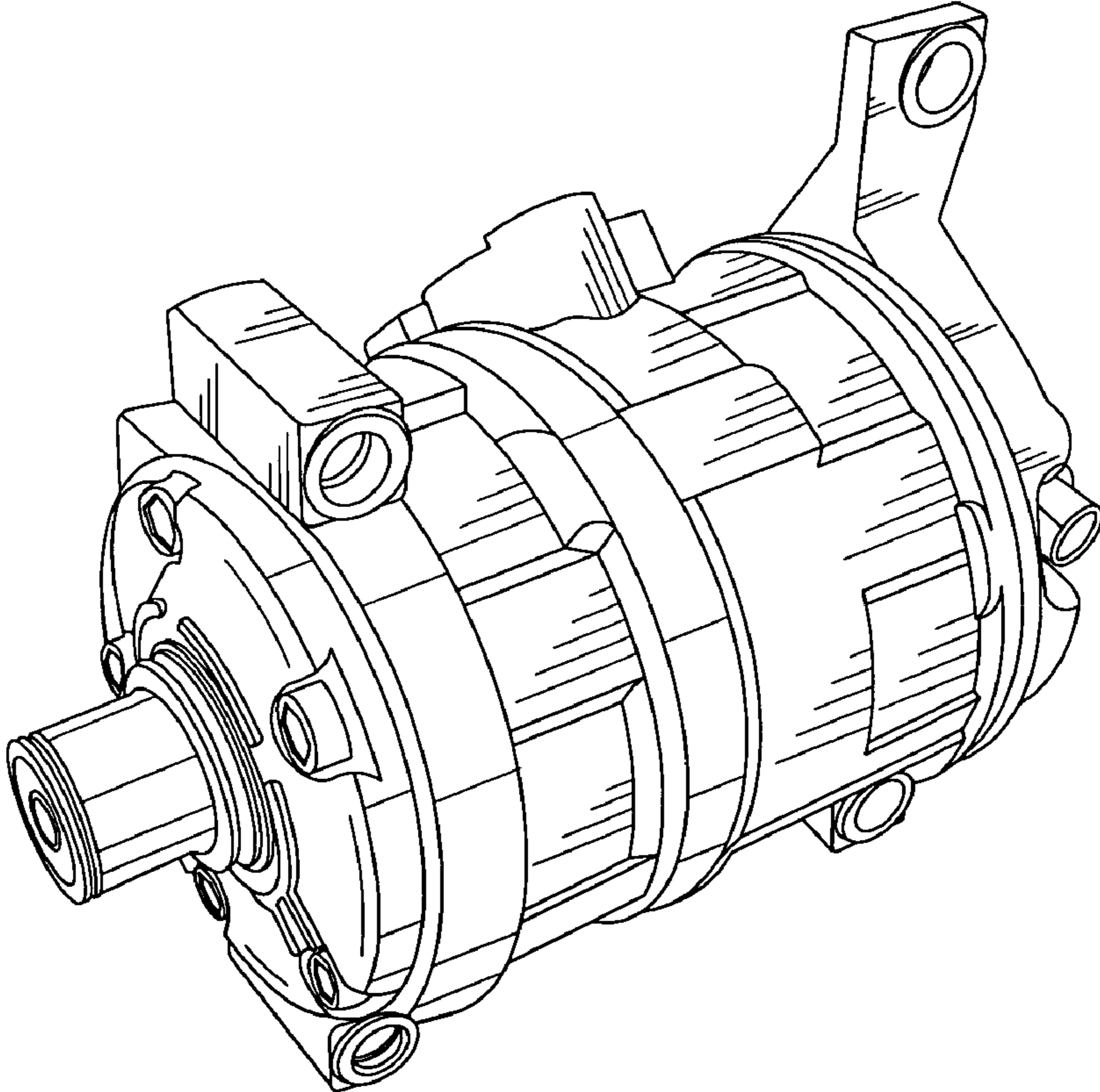


FIG. 8

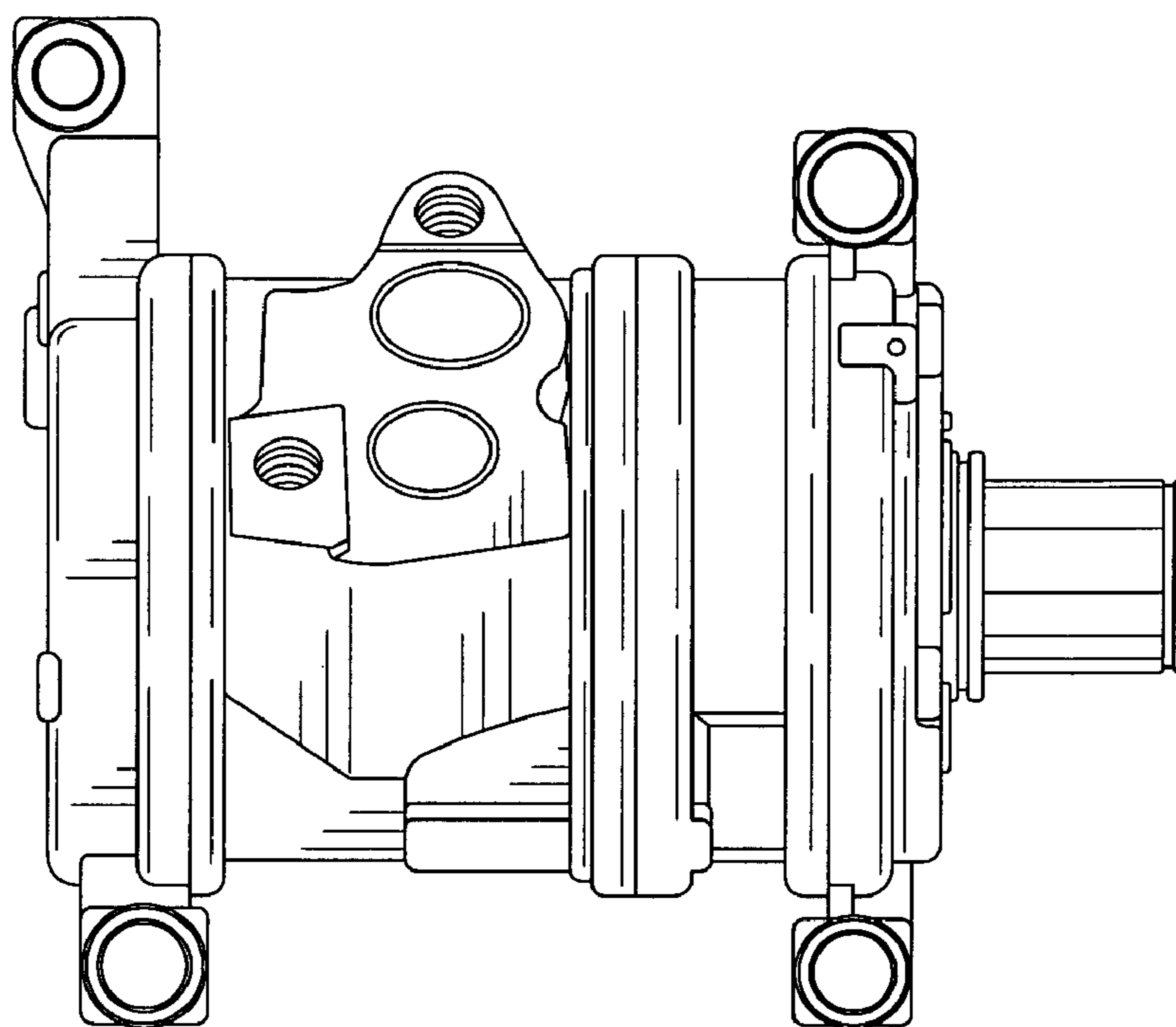


FIG. 2

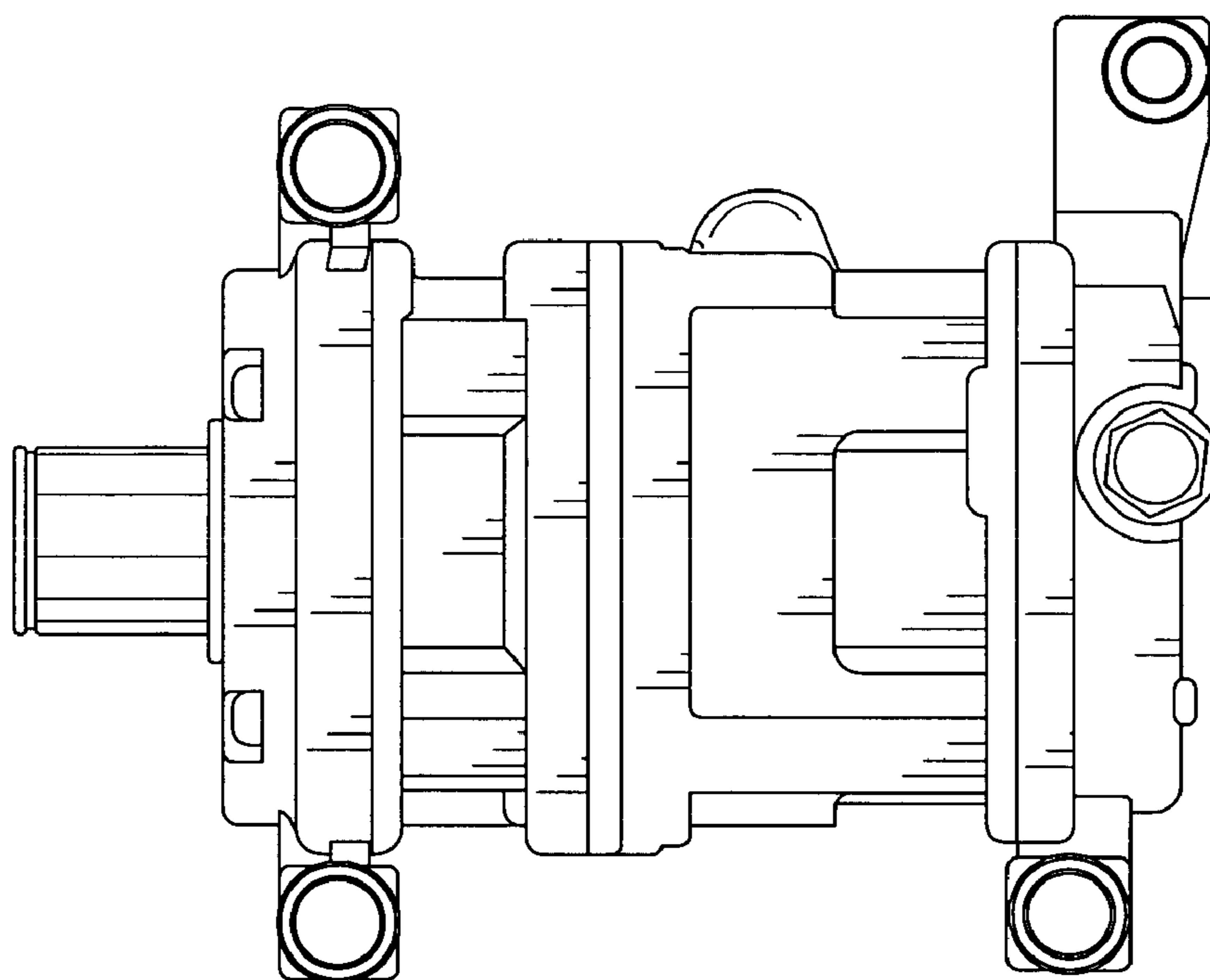


FIG. 3

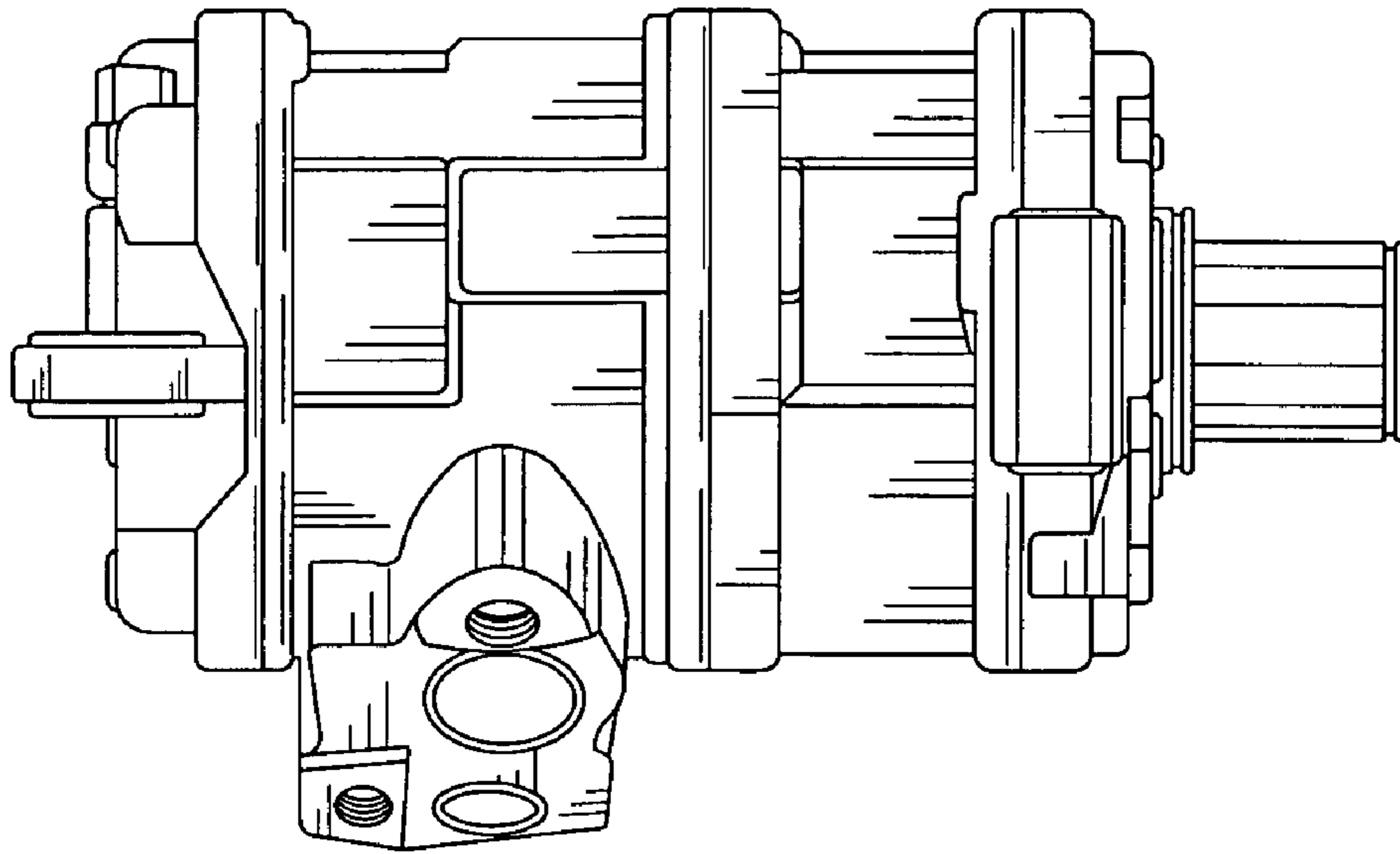


FIG. 4

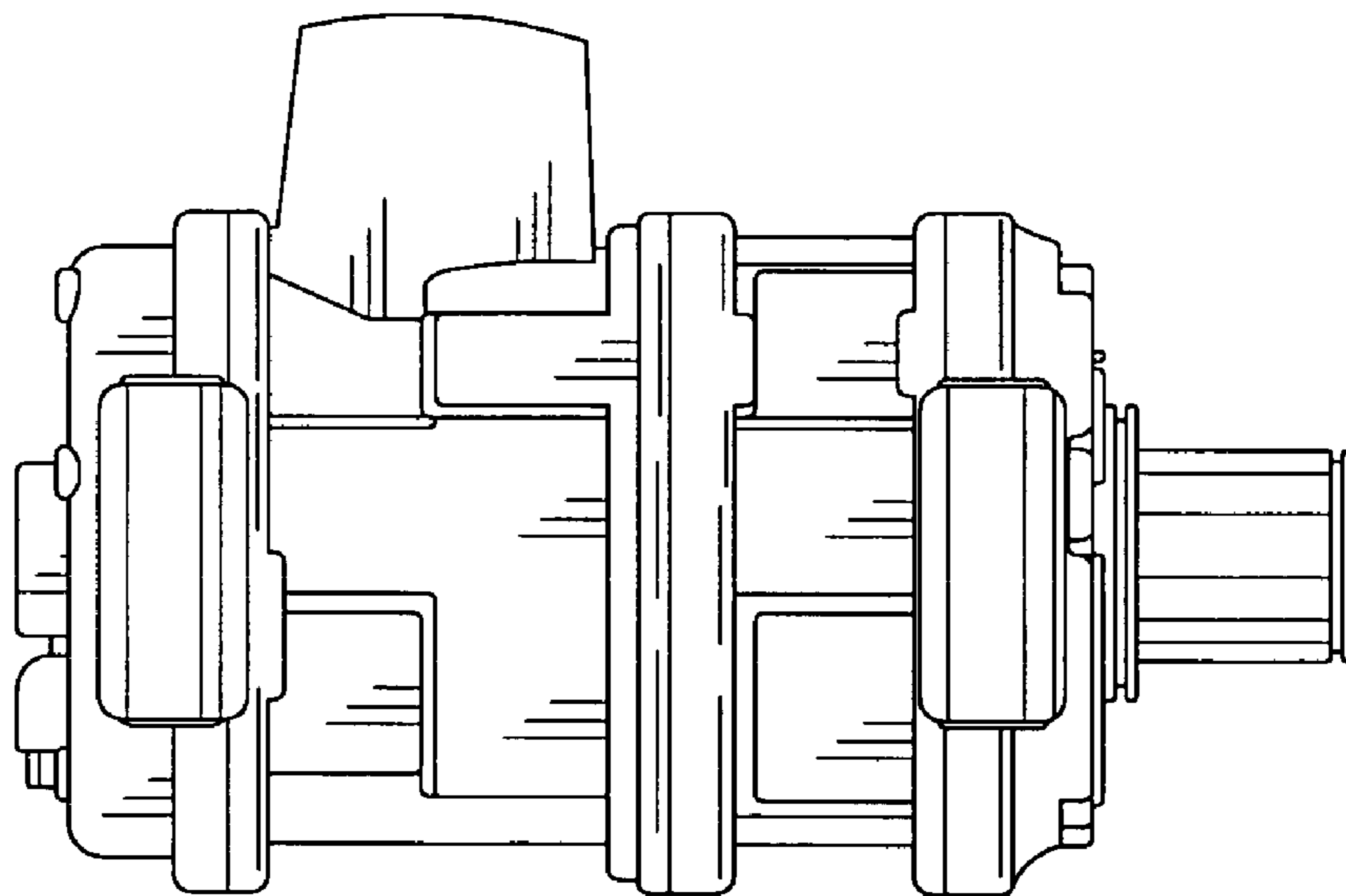


FIG. 5

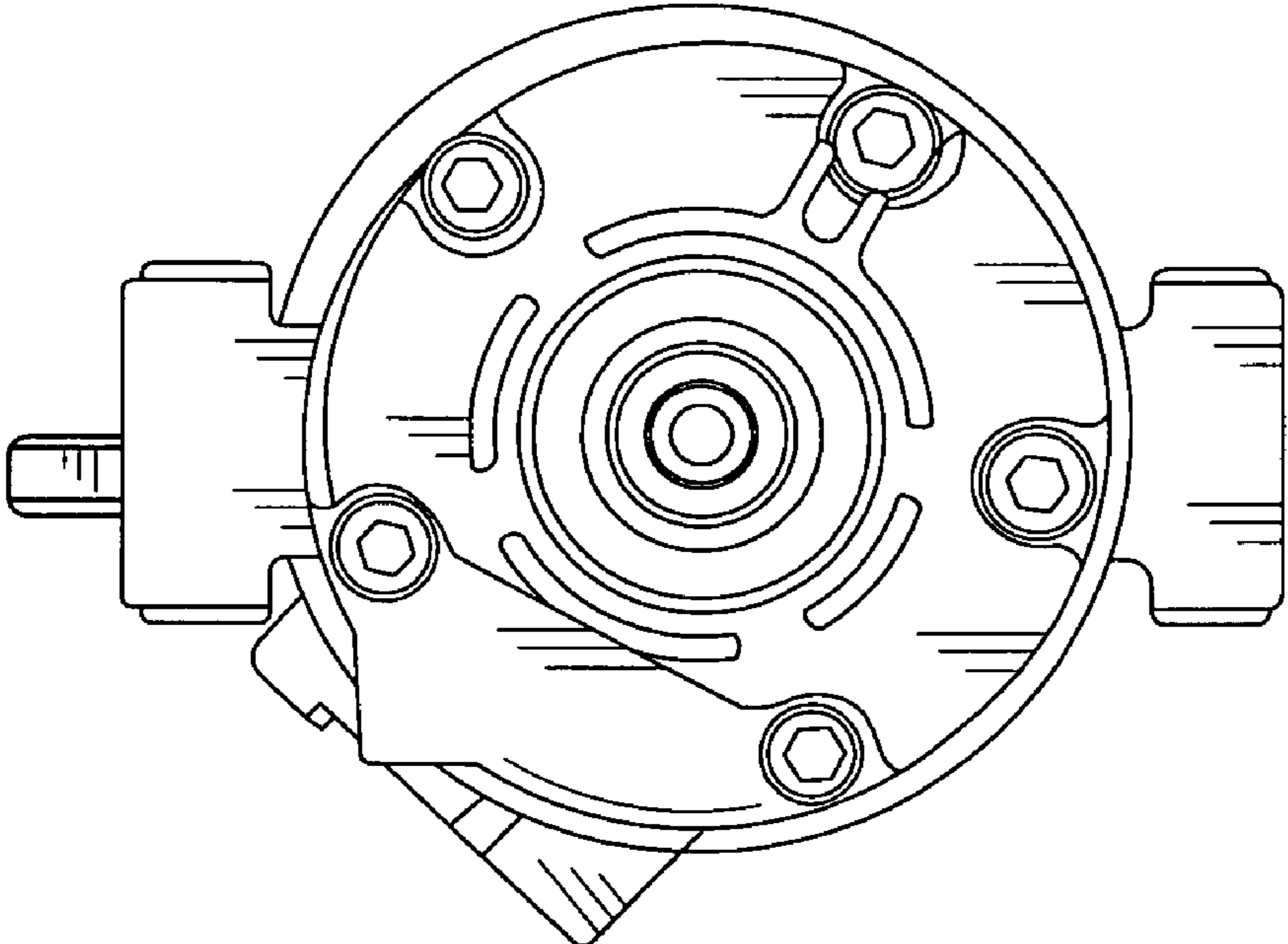


FIG. 7

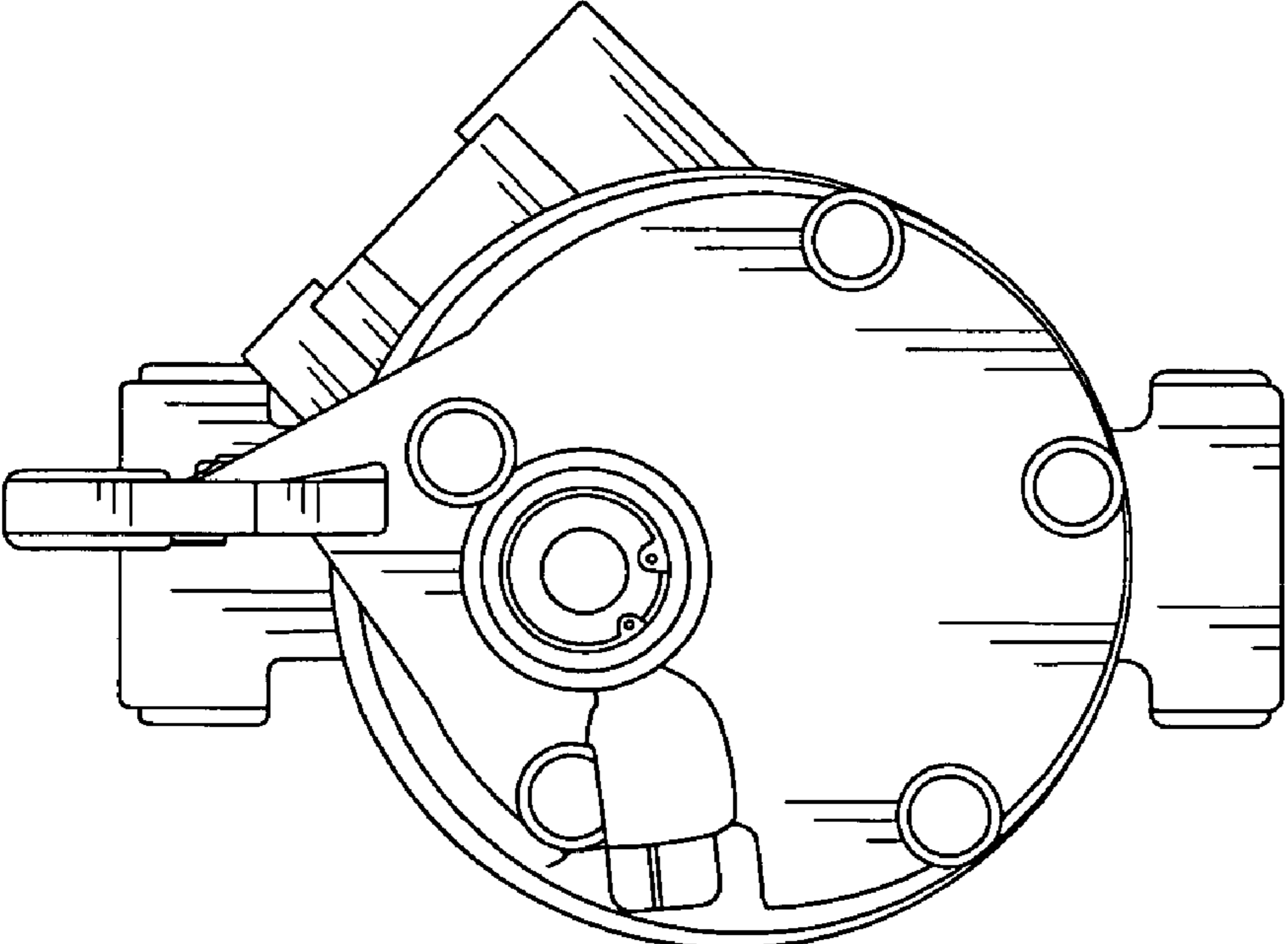


FIG. 6