



US00D603875S

(12) **United States Design Patent**  
**Chu**

(10) **Patent No.:** **US D603,875 S**

(45) **Date of Patent:** **\*\* Nov. 10, 2009**

(54) **CAP FOR AIR COMPRESSOR**

(76) Inventor: **Henry C. Chu**, 133 N. Lemon St.,  
Orange, CA (US) 92866

(\*\*) Term: **14 Years**

(21) Appl. No.: **29/313,329**

(22) Filed: **Dec. 24, 2008**

(51) **LOC (9) Cl.** ..... **15-02**

(52) **U.S. Cl.** ..... **D15/9**

(58) **Field of Classification Search** ..... D15/709;  
D23/231, 232; 417/410.1, 359, 415-416,  
417/234, 321, 265, 405, 313

See application file for complete search history.

(56) **References Cited**

**U.S. PATENT DOCUMENTS**

D506,477 S *	6/2005	Chu et al.	.....	D15/9
D507,280 S *	7/2005	Chu et al.	.....	D15/9
D529,049 S *	9/2006	Chu	.....	D15/9
D529,050 S *	9/2006	Chu	.....	D15/9
D529,517 S *	10/2006	Chu	.....	D15/9
D529,927 S *	10/2006	Chu	.....	D15/9
D529,928 S *	10/2006	Chu	.....	D15/9
D529,929 S *	10/2006	Chu	.....	D15/9
D529,930 S *	10/2006	Chu	.....	D15/9
D533,881 S *	12/2006	Chu	.....	D15/9
D540,824 S *	4/2007	Chu	.....	D15/9
D541,307 S *	4/2007	Chu	.....	D15/9
D541,308 S *	4/2007	Chu	.....	D15/9
D554,666 S *	11/2007	Chu	.....	D15/9
D554,667 S *	11/2007	Chu	.....	D15/9
D555,174 S *	11/2007	Hwang	.....	D15/9
D556,782 S *	12/2007	Chu	.....	D15/9
D556,783 S *	12/2007	Chu	.....	D15/9
D556,784 S *	12/2007	Chu	.....	D15/9
D556,785 S *	12/2007	Chu	.....	D15/9
D556,786 S *	12/2007	Chu	.....	D15/9
D557,287 S *	12/2007	Chu	.....	D15/9

D557,288 S *	12/2007	Chu	.....	D15/9
D574,854 S *	8/2008	Chu	.....	D15/9
D574,855 S *	8/2008	Chu	.....	D15/9
D574,858 S *	8/2008	Chu	.....	D15/9
D575,306 S *	8/2008	Chu	.....	D15/9
D575,307 S *	8/2008	Chu	.....	D15/9
D575,802 S *	8/2008	Chu	.....	D15/9
D589,064 S *	3/2009	Chu	.....	D15/9
D589,534 S *	3/2009	Chu	.....	D15/9

\* cited by examiner

*Primary Examiner*—R. Seifert

(74) *Attorney, Agent, or Firm*—Charles E. Baxley

(57) **CLAIM**

The ornamental design for a cap for air compressor, as shown and described.

**DESCRIPTION**

FIG. 1 is a front perspective view of a cap for air compressor showing my new design;

FIG. 2 is a front elevational view thereof;

FIG. 3 is a rear elevational view thereof;

FIG. 4 is a top plan view thereof;

FIG. 5 is a bottom plan view thereof;

FIG. 6 is a left side elevational view thereof;

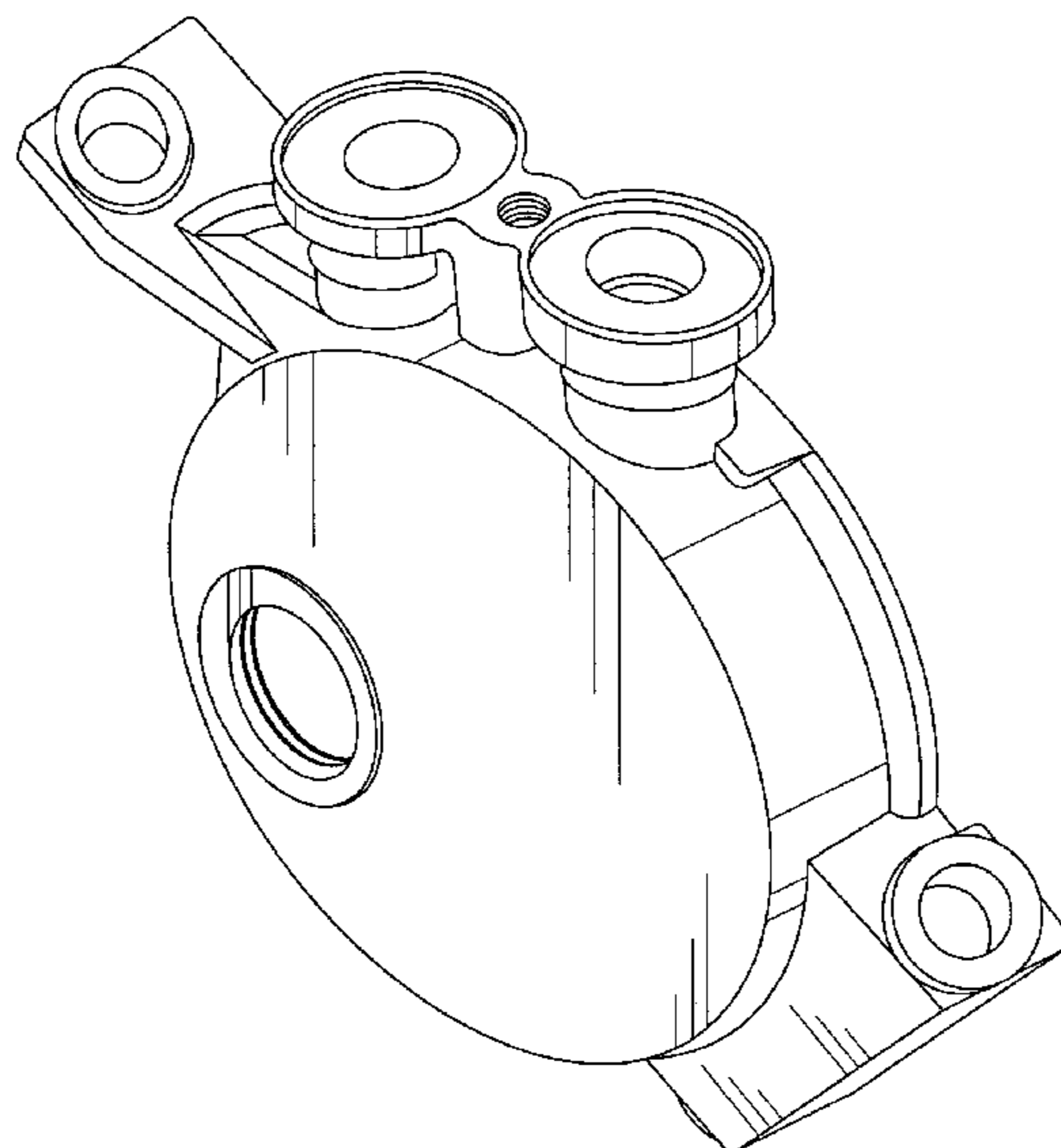
FIG. 7 is a right side elevational view thereof;

FIG. 8 is a rear elevational view thereof;

FIG. 9 is a rear elevational view thereof, the mouth and the protrusions depicted by means of broken lines being for illustrative purposes only and forming no part of the claimed design; and,

FIG. 10 is a front perspective view thereof, the recess depicted by means of broken lines being for illustrative purposes only and forming no part of the claimed design.

**1 Claim, 8 Drawing Sheets**



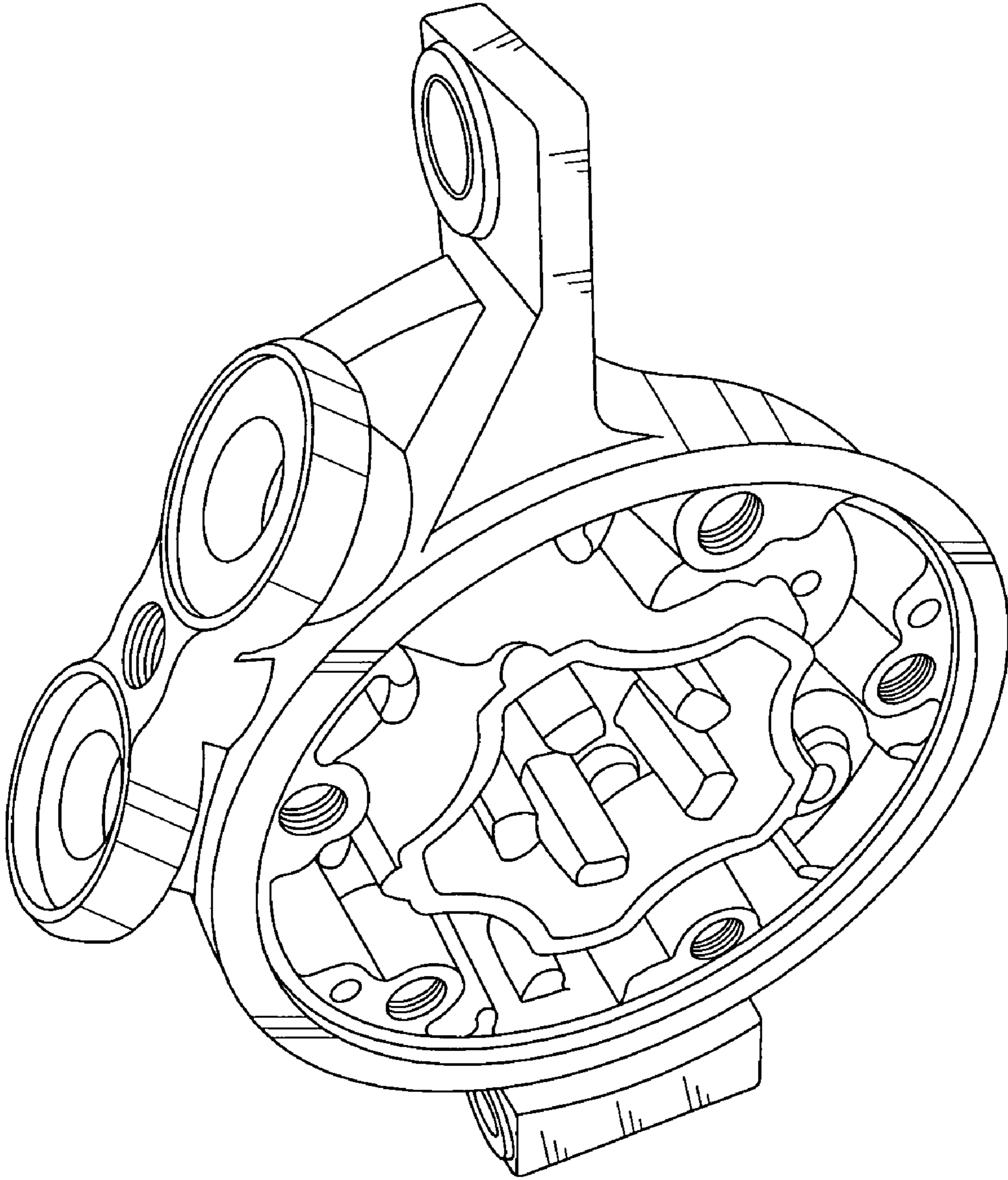


FIG. 1

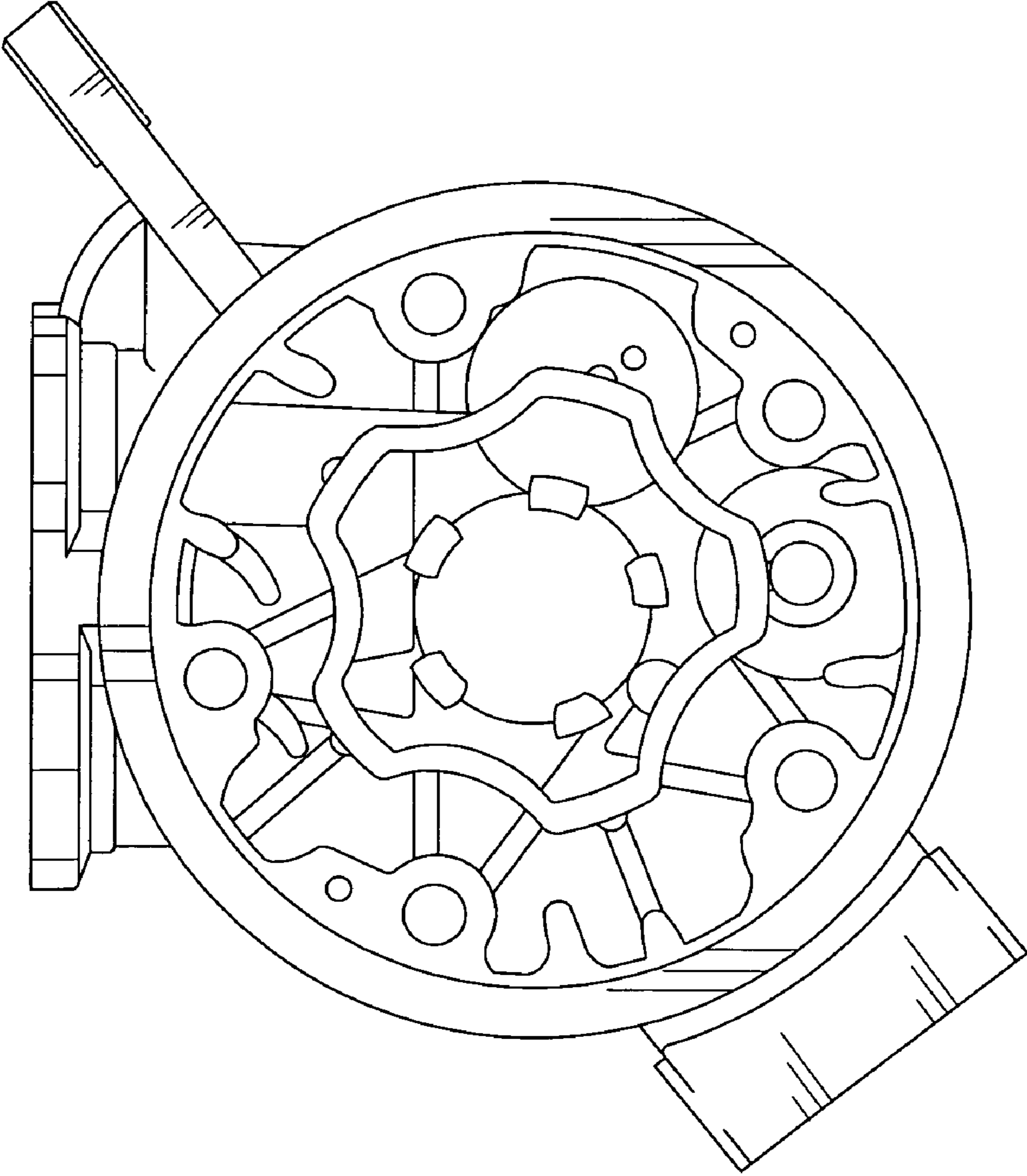


FIG. 2

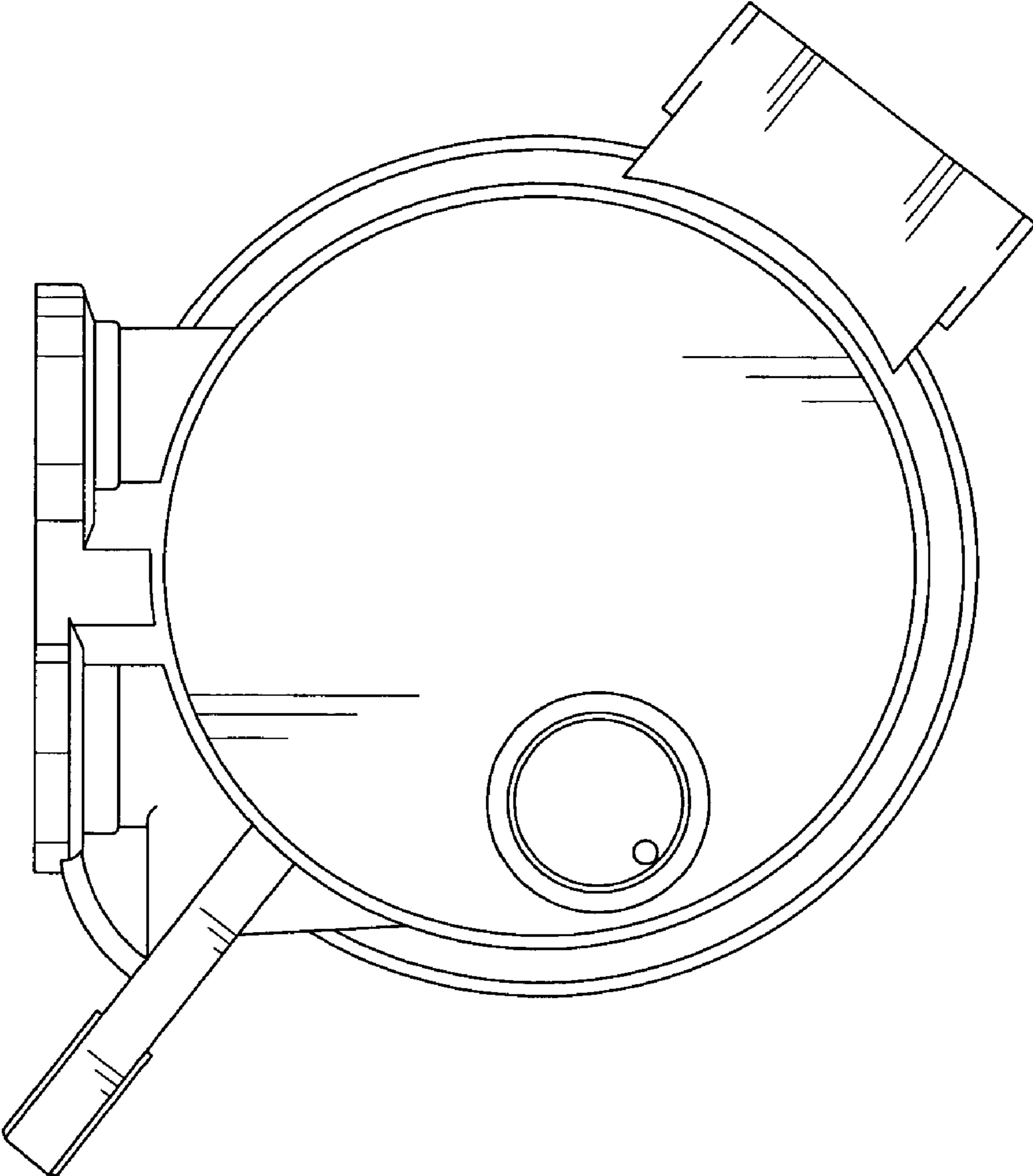


FIG. 3

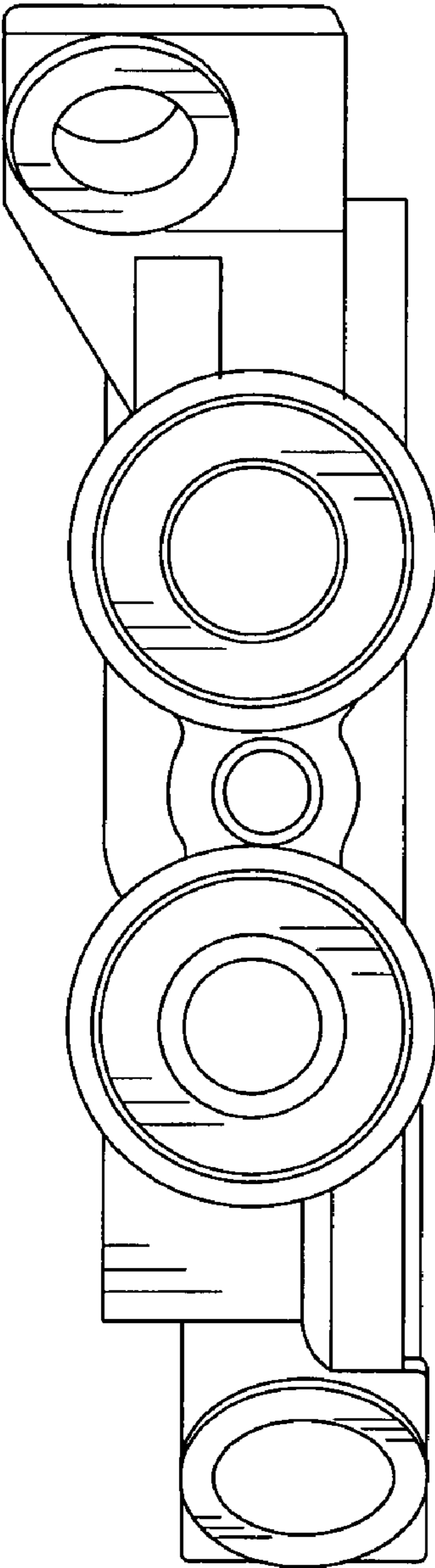


FIG. 4

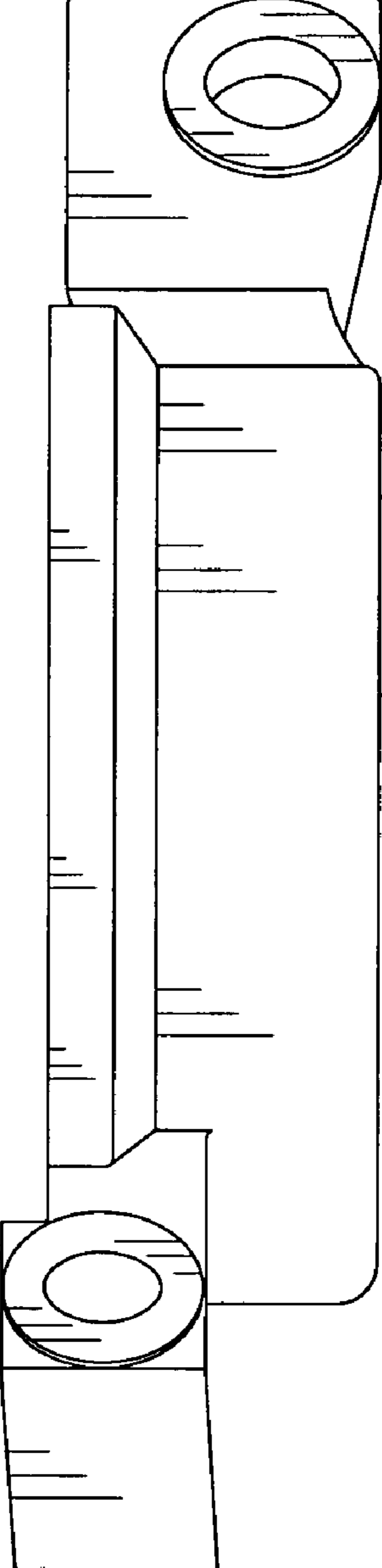


FIG. 5

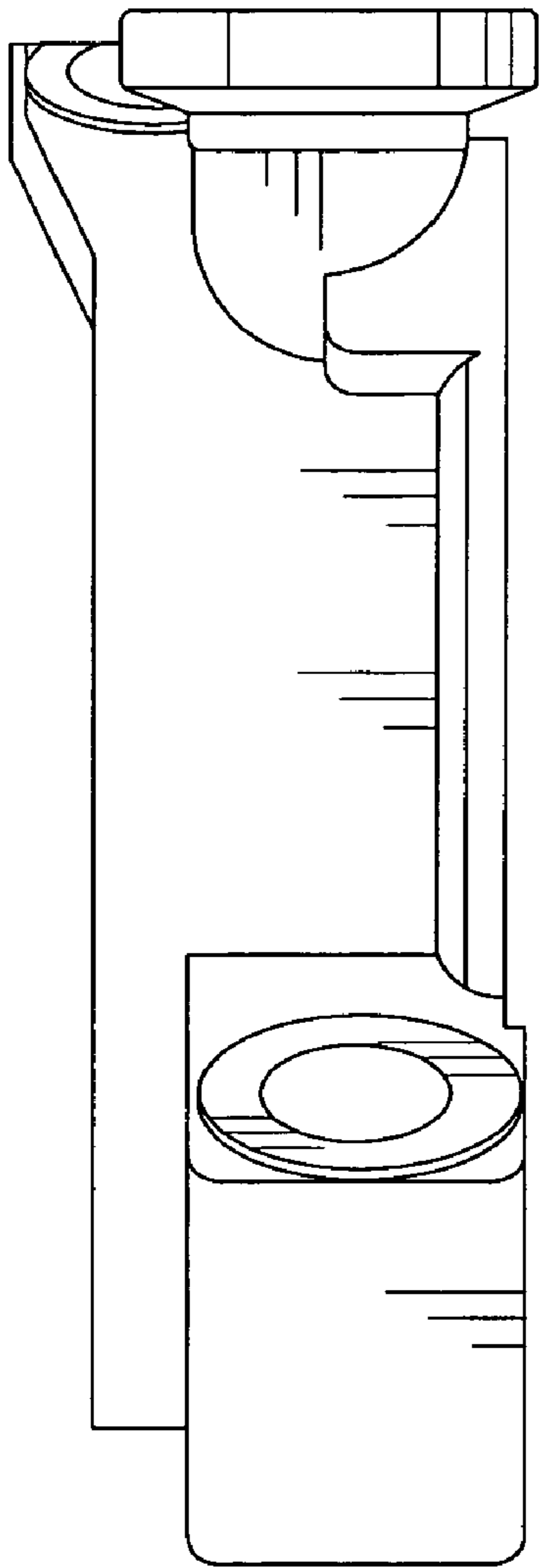


FIG. 6

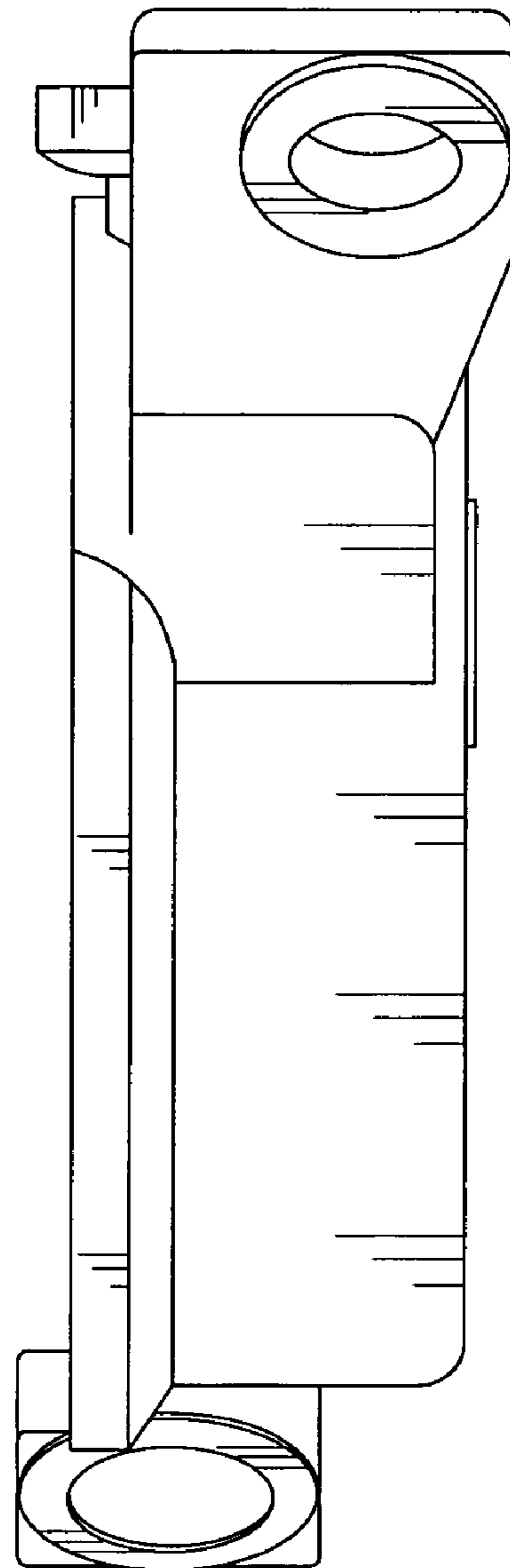


FIG. 7

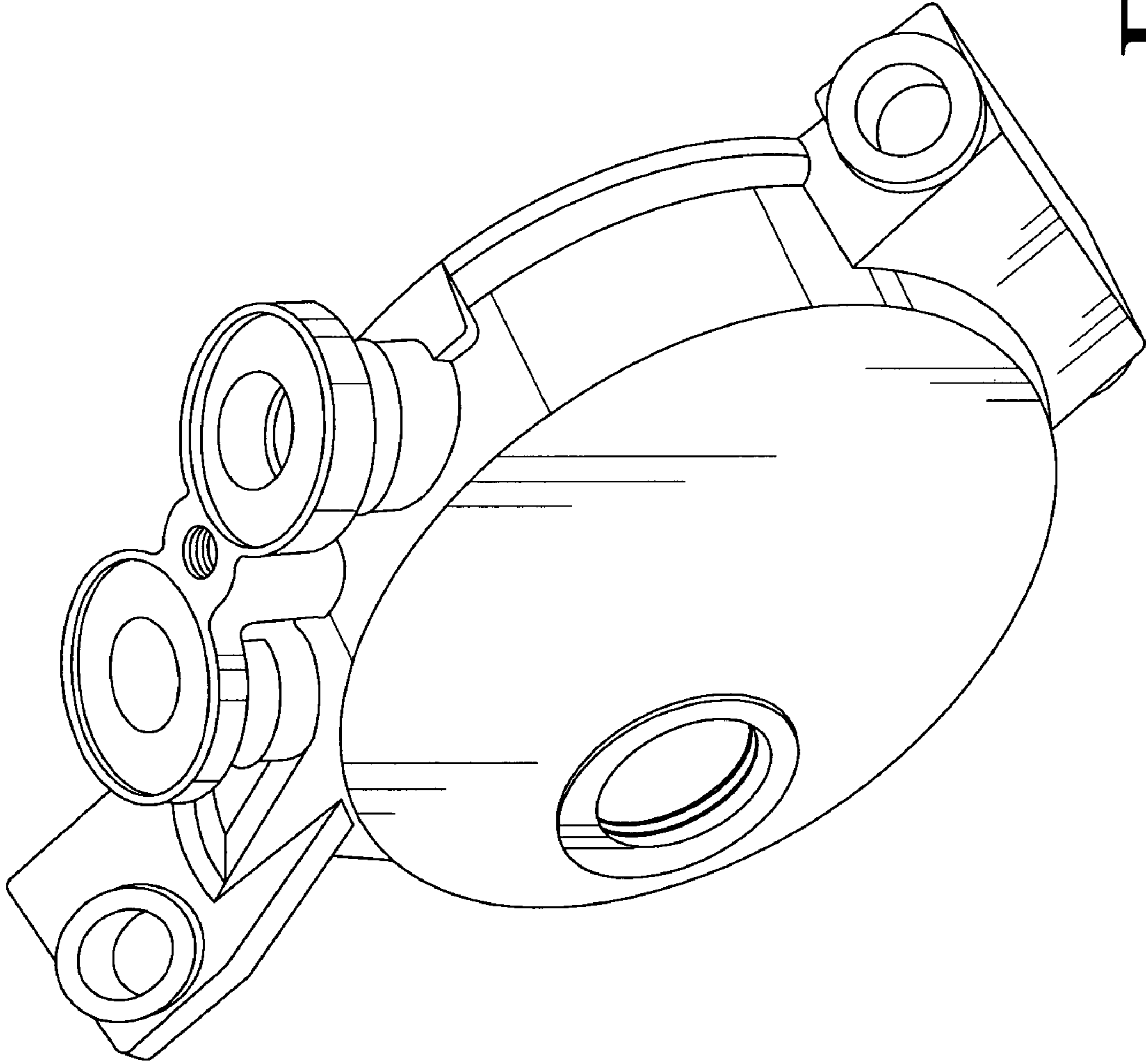
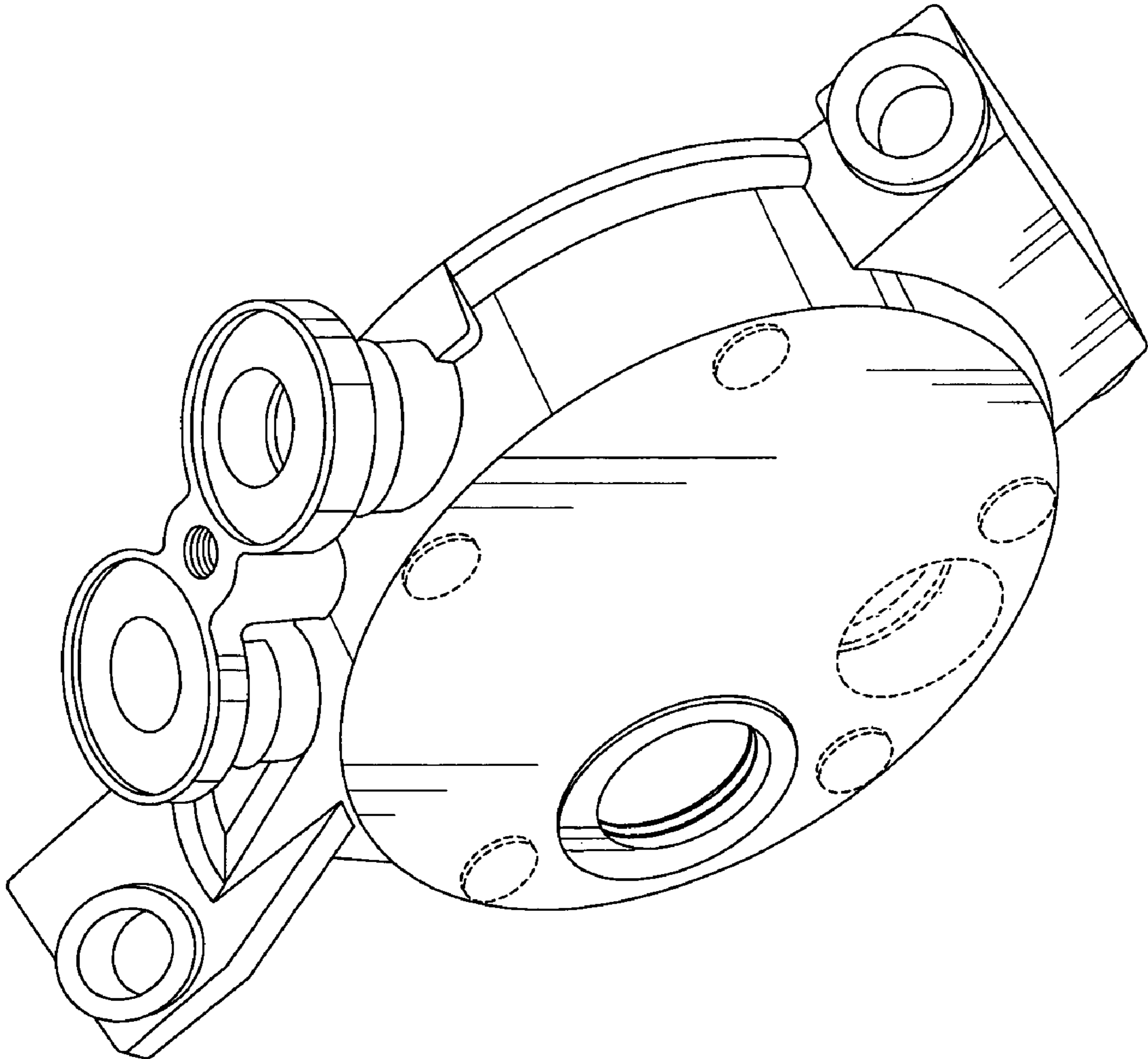


FIG. 8

FIG. 9





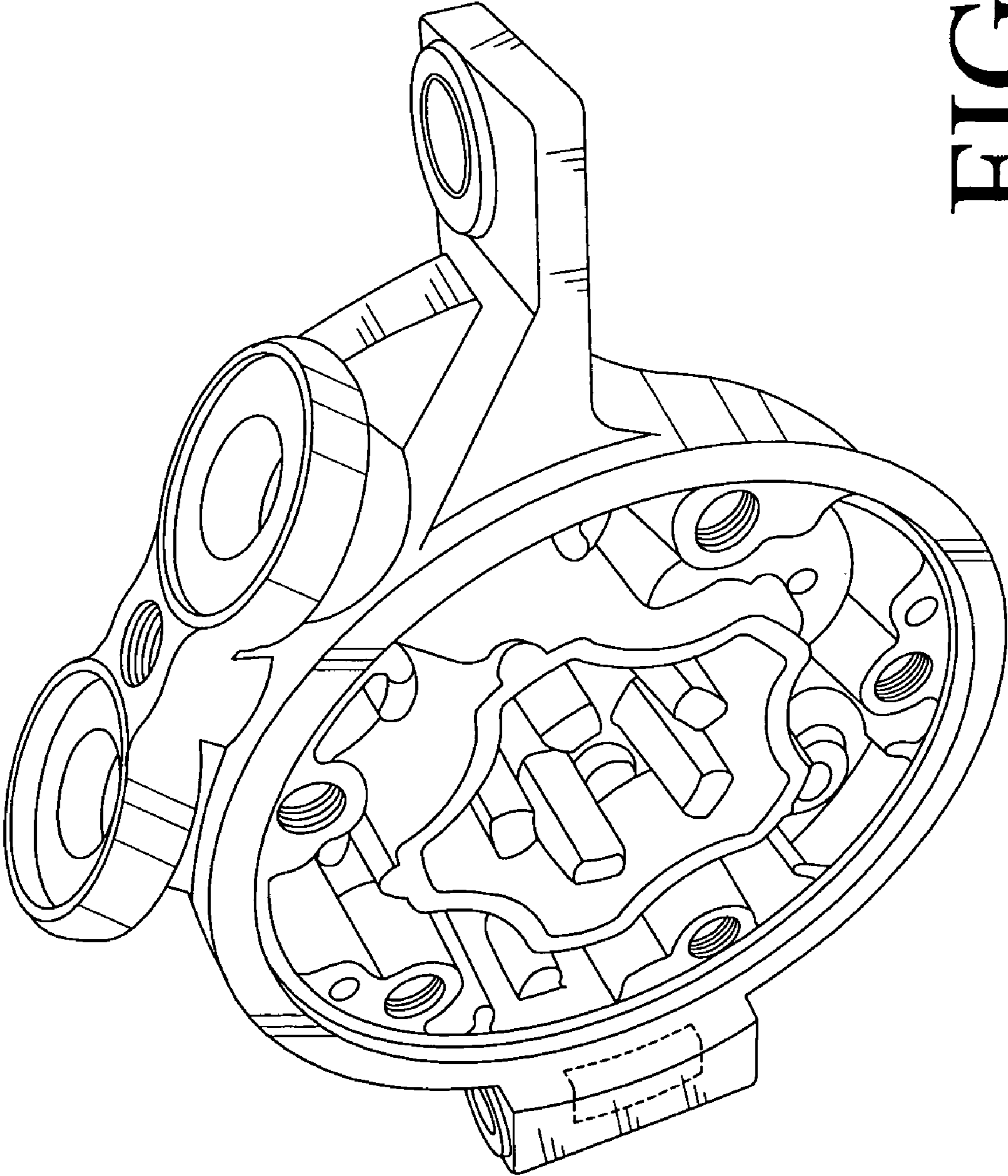


FIG. 10