

US00D603872S

(12) **United States Design Patent**
Averill et al.

(10) **Patent No.:** **US D603,872 S**

(45) **Date of Patent:** **** Nov. 10, 2009**

(54) **SINGLE PISTON INTERCOOLER AIR COMPRESSOR**

(75) Inventors: **Bryan M. Averill**, Portland, OR (US);
Steven M. Schile, Portland, OR (US);
Darren G. Fretz, Canby, OR (US); **Eric J. Webb**, Vancouver, WA (US)

(73) Assignee: **Warn Industries, Inc.**, Milwaukie, OR (US)

(**) Term: **14 Years**

(21) Appl. No.: **29/296,790**

(22) Filed: **Oct. 29, 2007**

(51) **LOC (9) Cl.** **15-02**

(52) **U.S. Cl.** **D15/9**

(58) **Field of Classification Search** D15/7-9;
D23/231, 232, 225; 417/410.1, 359, 415-416,
417/234, 321, 265, 405

See application file for complete search history.

(56) **References Cited**

U.S. PATENT DOCUMENTS

D454,357 S * 3/2002 Diels D15/7
D527,024 S * 8/2006 Happ et al. D15/7
D541,306 S * 4/2007 Welsh et al. D15/9

D559,273 S * 1/2008 Hernandez et al. D15/9

D574,859 S * 8/2008 Hernandez et al. D15/9

D589,985 S * 4/2009 Steinfels D15/9

D590,843 S * 4/2009 Averill et al. D15/9

2007/0221898 A1 9/2007 Giacomini et al.

* cited by examiner

Primary Examiner—R. Seifert

(74) *Attorney, Agent, or Firm*—Harness, Dickey & Pierce, P.L.C.

(57) **CLAIM**

The ornamental design for a single piston intercooler air compressor, as shown and described.

DESCRIPTION

FIG. 1 is a perspective view of a single piston intercooler air compressor showing our new design;

FIG. 2 is a front view thereof;

FIG. 3 is a right side view thereof;

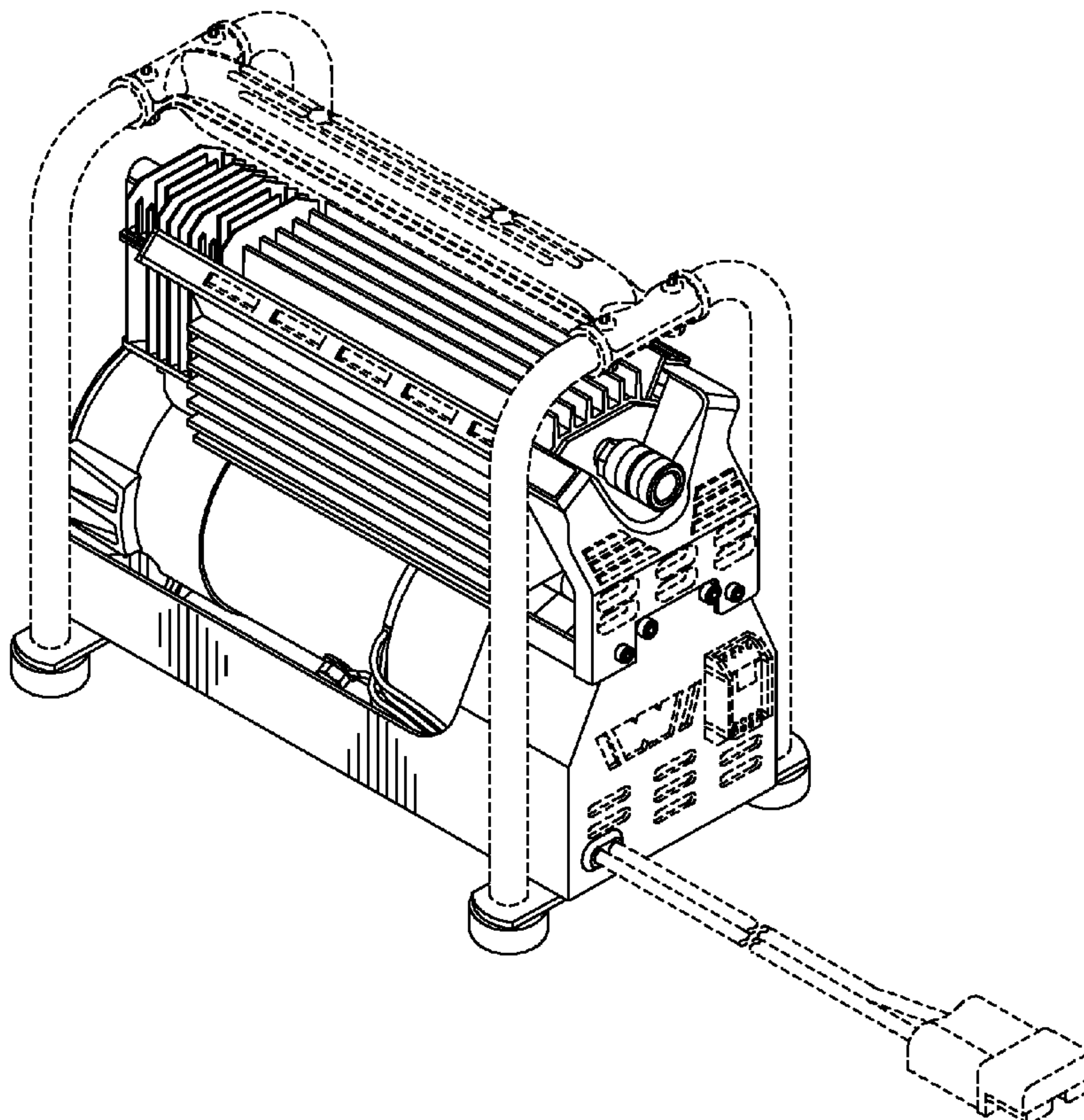
FIG. 4 is a rear view thereof;

FIG. 5 is a left side view thereof; and,

FIG. 6 is a top view thereof.

The phantom lines are for illustrative purposes only and do not form part of the claimed design.

1 Claim, 6 Drawing Sheets



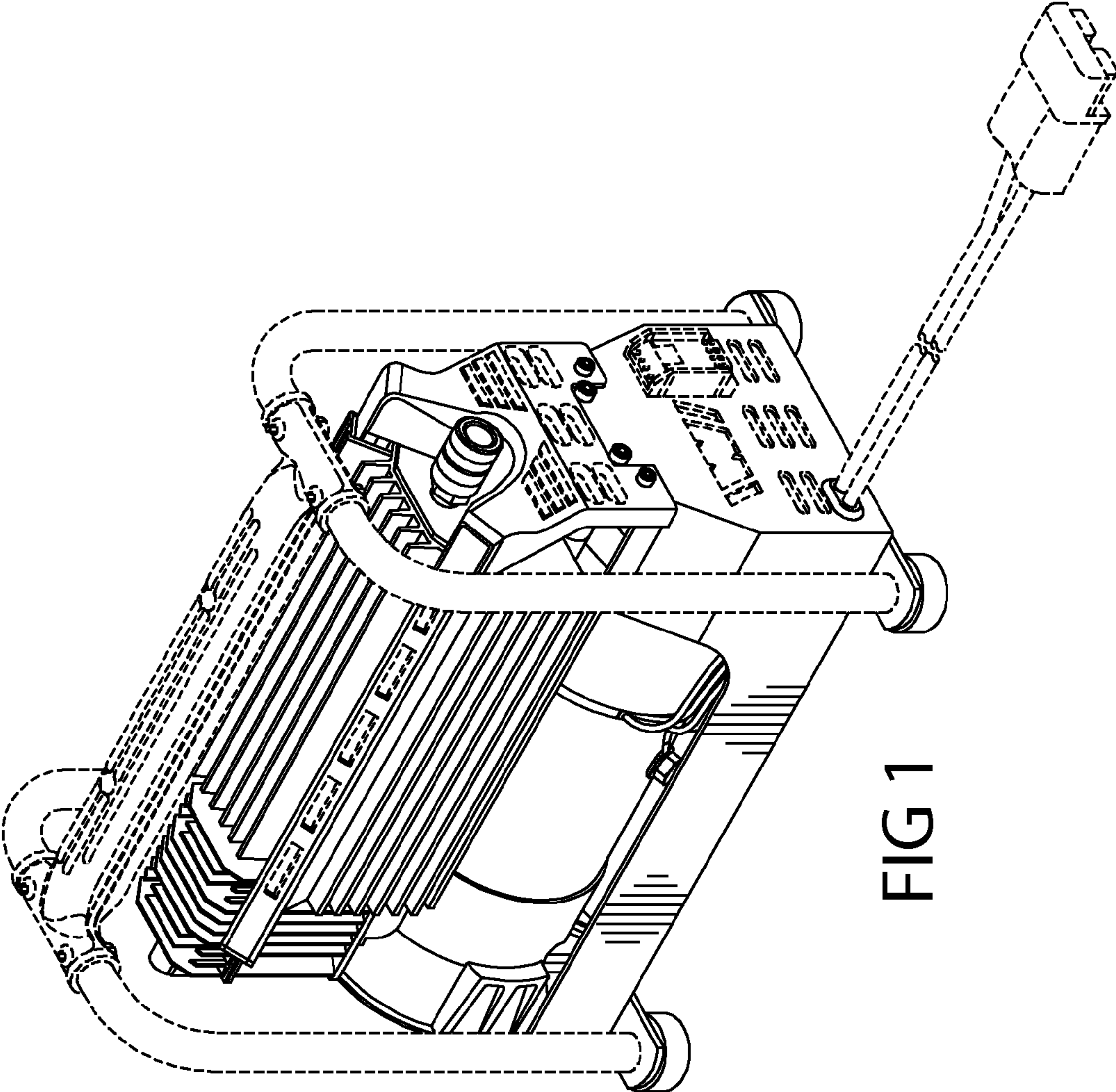


FIG 1

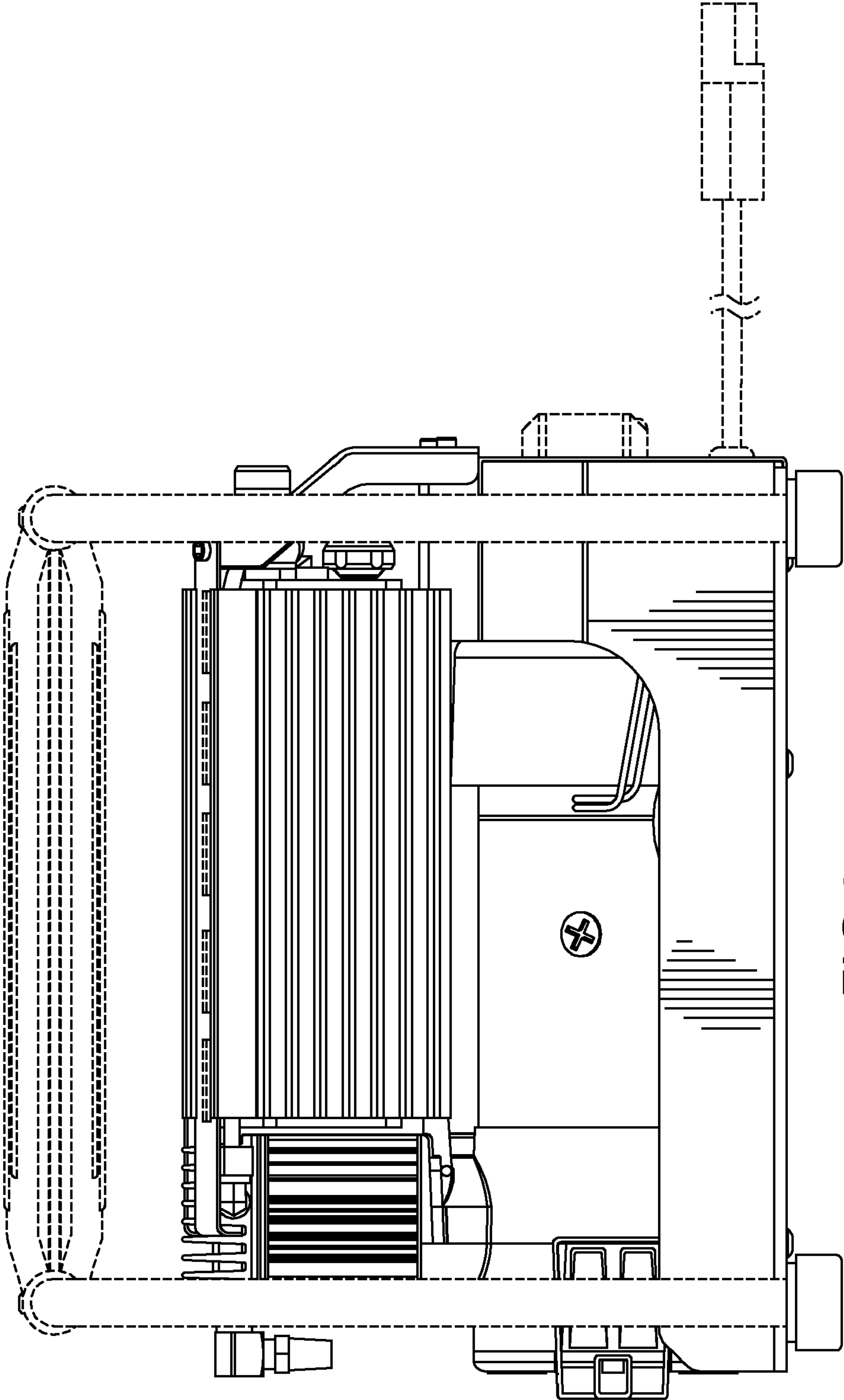


FIG 2

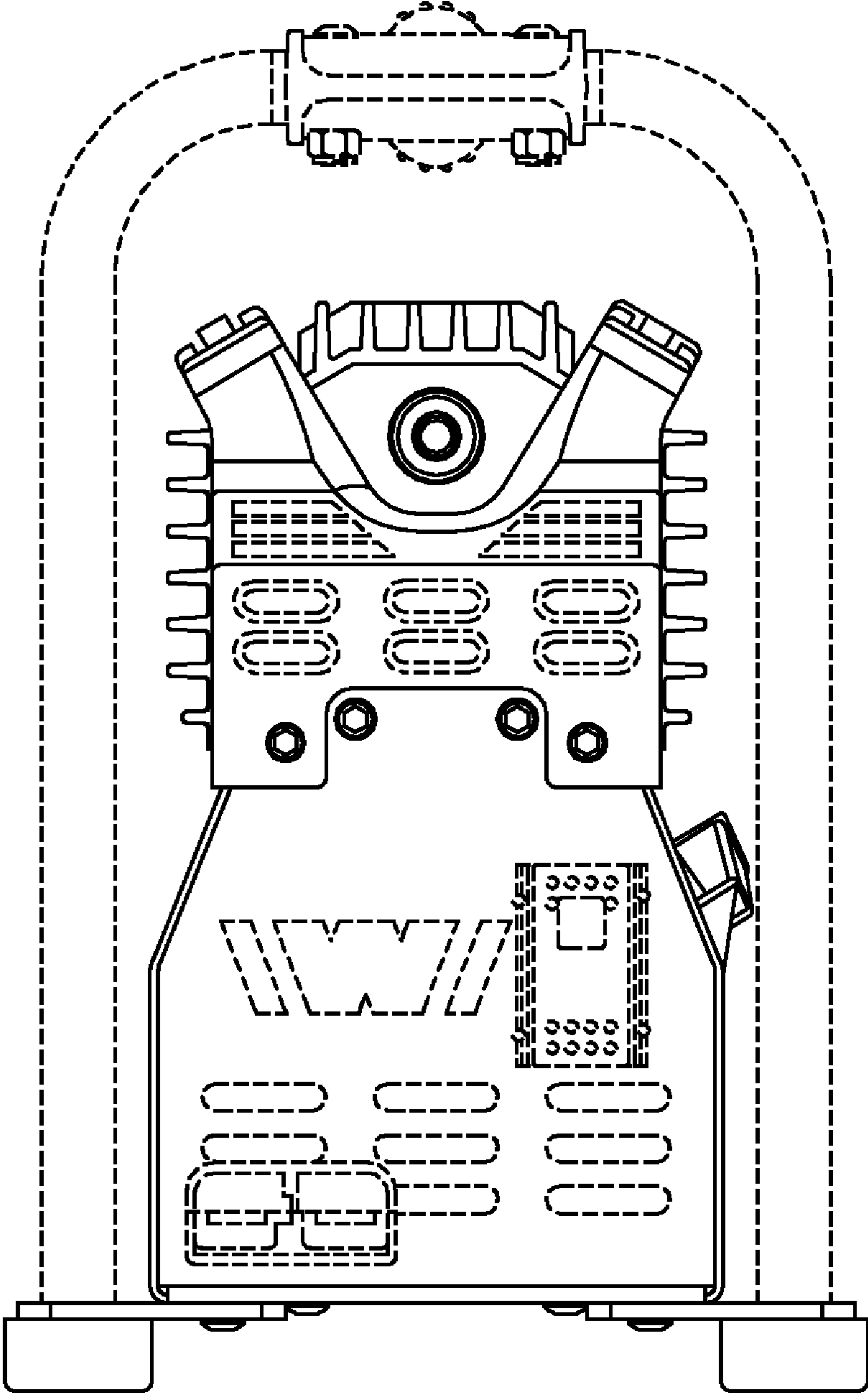


FIG 3

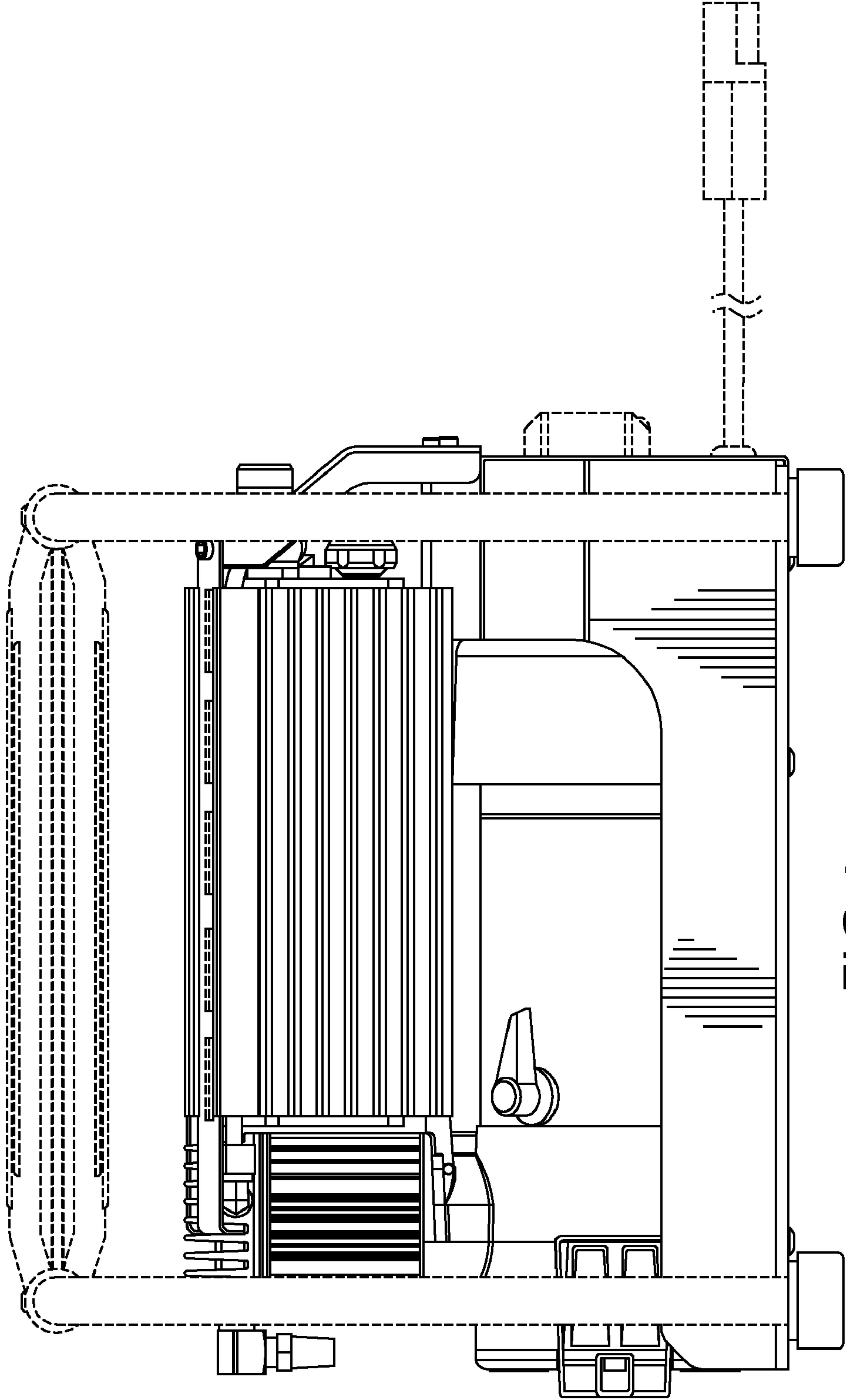


FIG 4

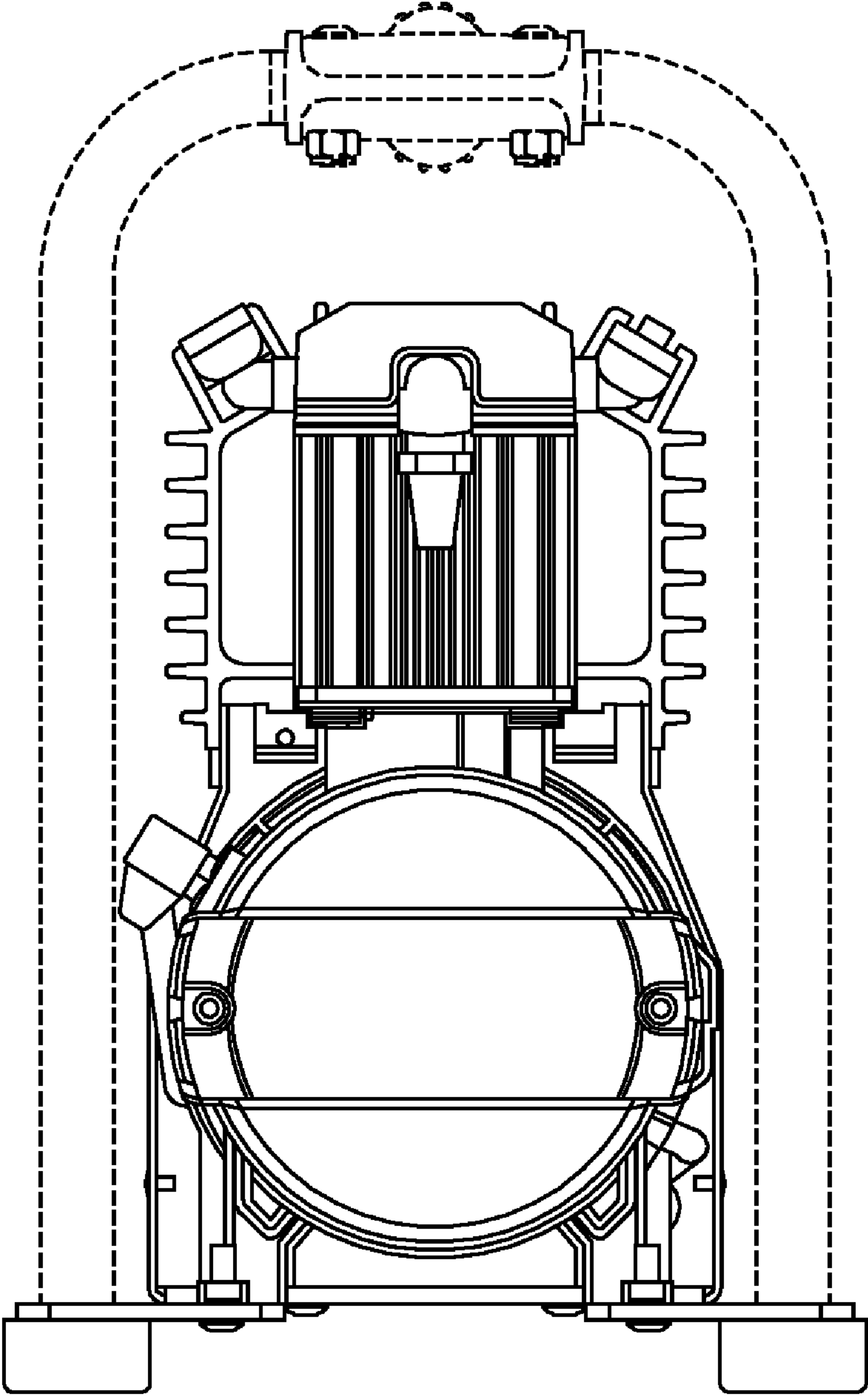


FIG 5

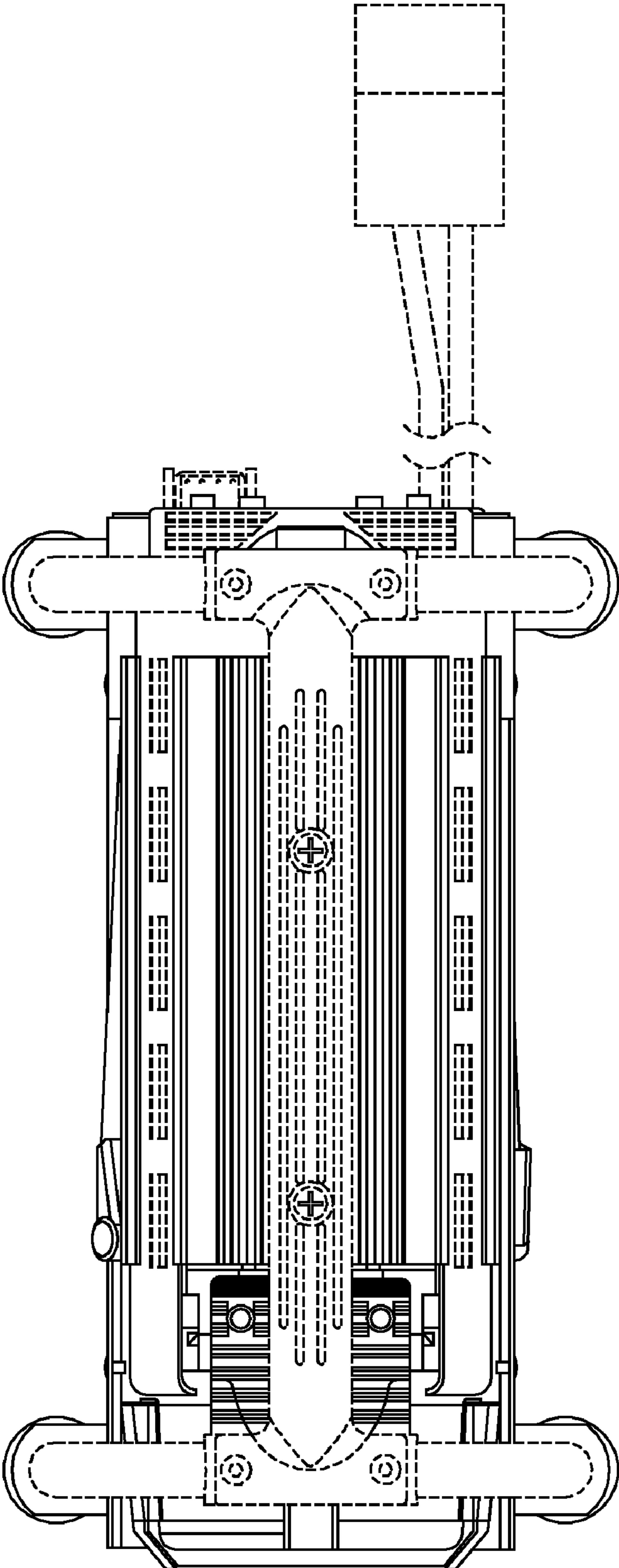


FIG 6