



US00D603871S

(12) **United States Design Patent**  
**Steinfels et al.**

(10) **Patent No.:** **US D603,871 S**

(45) **Date of Patent:** **\*\* Nov. 10, 2009**

(54) **WHEELED PORTABLE AIR COMPRESSOR**

(75) Inventors: **Craig R. Steinfels**, Jackson, TN (US);  
**Daniel U. Goodwin**, Lexington, TN (US)

(73) Assignee: **Black & Decker Inc.**, Newark, DE (US)

(\*\*) Term: **14 Years**

(21) Appl. No.: **29/327,619**

(22) Filed: **Nov. 10, 2008**

(51) **LOC (9) Cl.** ..... **15-02**

(52) **U.S. Cl.** ..... **D15/7**

(58) **Field of Classification Search** ..... D15/7-9;  
D23/231, 232, 225; 417/410.1, 359, 415-416,  
417/234, 321, 265, 405

See application file for complete search history.

(56) **References Cited**

**U.S. PATENT DOCUMENTS**

|              |         |                 |             |
|--------------|---------|-----------------|-------------|
| D223,039 S   | 2/1972  | Widmer          |             |
| D460,763 S   | 7/2002  | Buck            |             |
| D461,196 S   | 8/2002  | Buck            |             |
| D482,371 S * | 11/2003 | Buck            | ..... D15/9 |
| D487,096 S   | 2/2004  | Buck            |             |
| D487,097 S   | 2/2004  | Buck            |             |
| D491,197 S   | 6/2004  | Stilwell et al. |             |
| D493,179 S   | 7/2004  | Buck            |             |
| D499,120 S   | 11/2004 | Buck            |             |
| D499,430 S   | 12/2004 | Buck            |             |
| D499,747 S   | 12/2004 | Buck            |             |
| D512,075 S   | 11/2005 | Buck            |             |
| D531,191 S   | 10/2006 | Smith et al.    |             |
| D531,644 S   | 11/2006 | Smith et al.    |             |

|              |         |                  |             |
|--------------|---------|------------------|-------------|
| D537,840 S   | 3/2007  | Smith et al.     |             |
| D537,841 S   | 3/2007  | Smith et al.     |             |
| D541,306 S   | 4/2007  | Welsh et al.     |             |
| D553,647 S * | 10/2007 | Steinfels et al. | ..... D15/9 |
| D555,173 S * | 11/2007 | Smith et al.     | ..... D15/9 |
| D559,272 S   | 1/2008  | Buck et al.      |             |
| D574,020 S * | 7/2008  | Buck et al.      | ..... D15/9 |
| D575,309 S * | 8/2008  | Steinfels et al. | ..... D15/9 |

**OTHER PUBLICATIONS**

Porter Cable—Job Boss (TM) 4.5 Gallon 150 PSI Portable Air Compressor Model No. C3551 <http://www.porter-cable.com/index.asp?e=4434&t=t&p=4797>.

\* cited by examiner

*Primary Examiner*—R. Seifert

(74) *Attorney, Agent, or Firm*—Rhonda L. Barton; Michael P. Leary; Adan Ayala

(57) **CLAIM**

The ornamental design for a wheeled portable air compressor, as shown and described.

**DESCRIPTION**

FIG. 1 is a top/front perspective view of a wheeled portable air compressor showing our new design.

FIG. 2 is a front view thereof.

FIG. 3 is a rear view thereof.

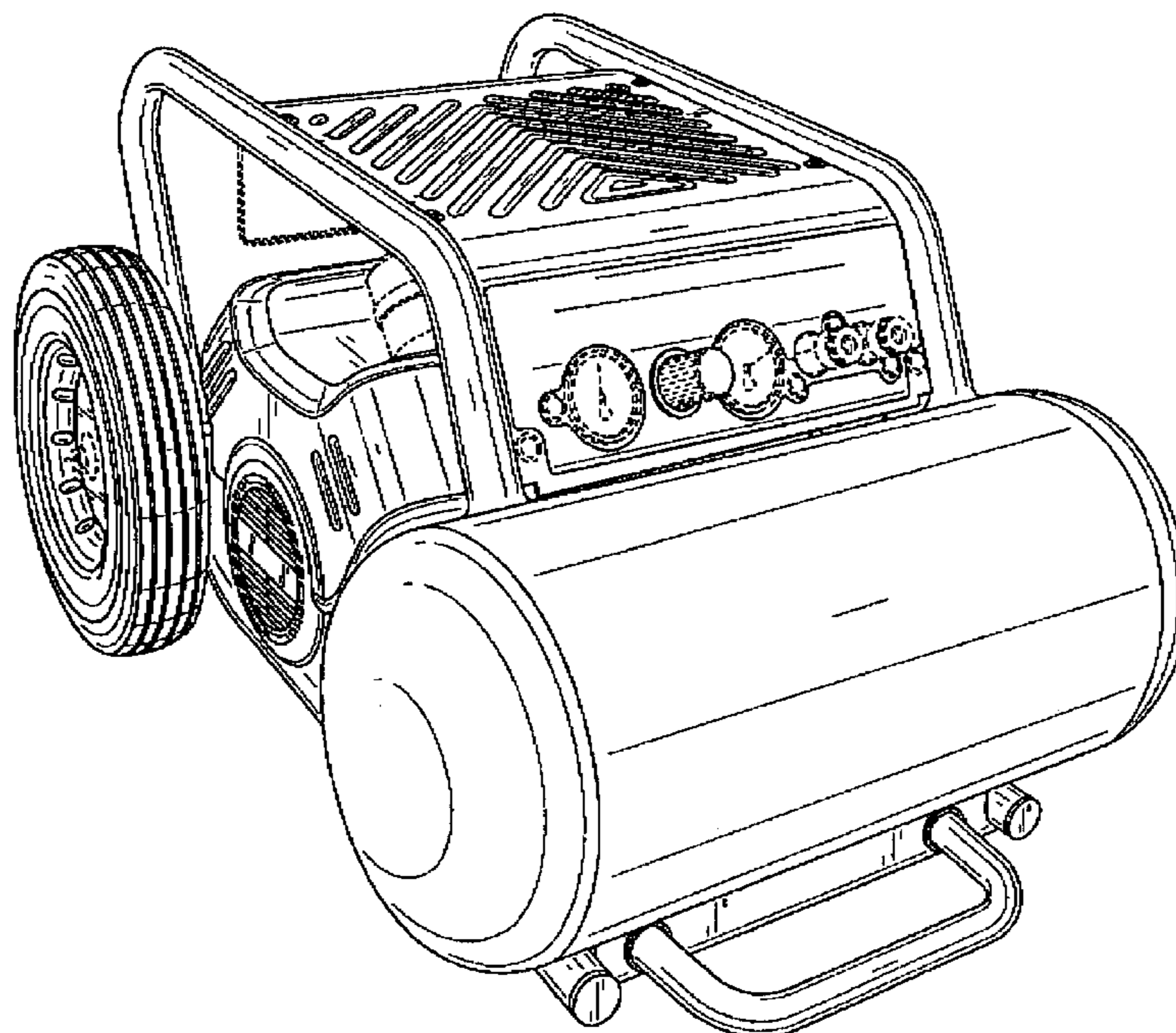
FIG. 4 is a left side view thereof.

FIG. 5 is a right side view thereof.

FIG. 6 is a top view thereof; and,

FIG. 7 is a bottom view thereof.

**1 Claim, 7 Drawing Sheets**



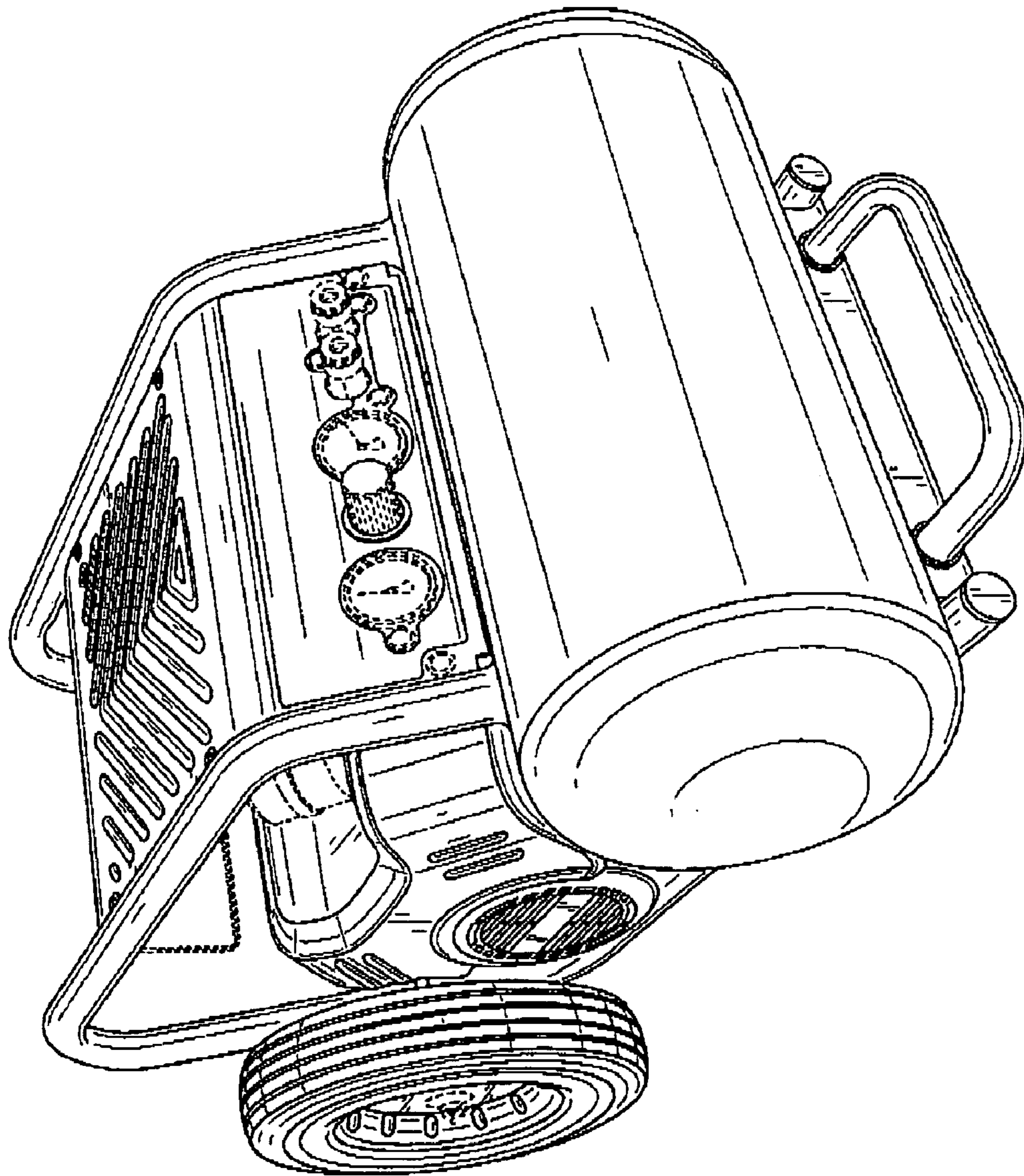


FIG. 1

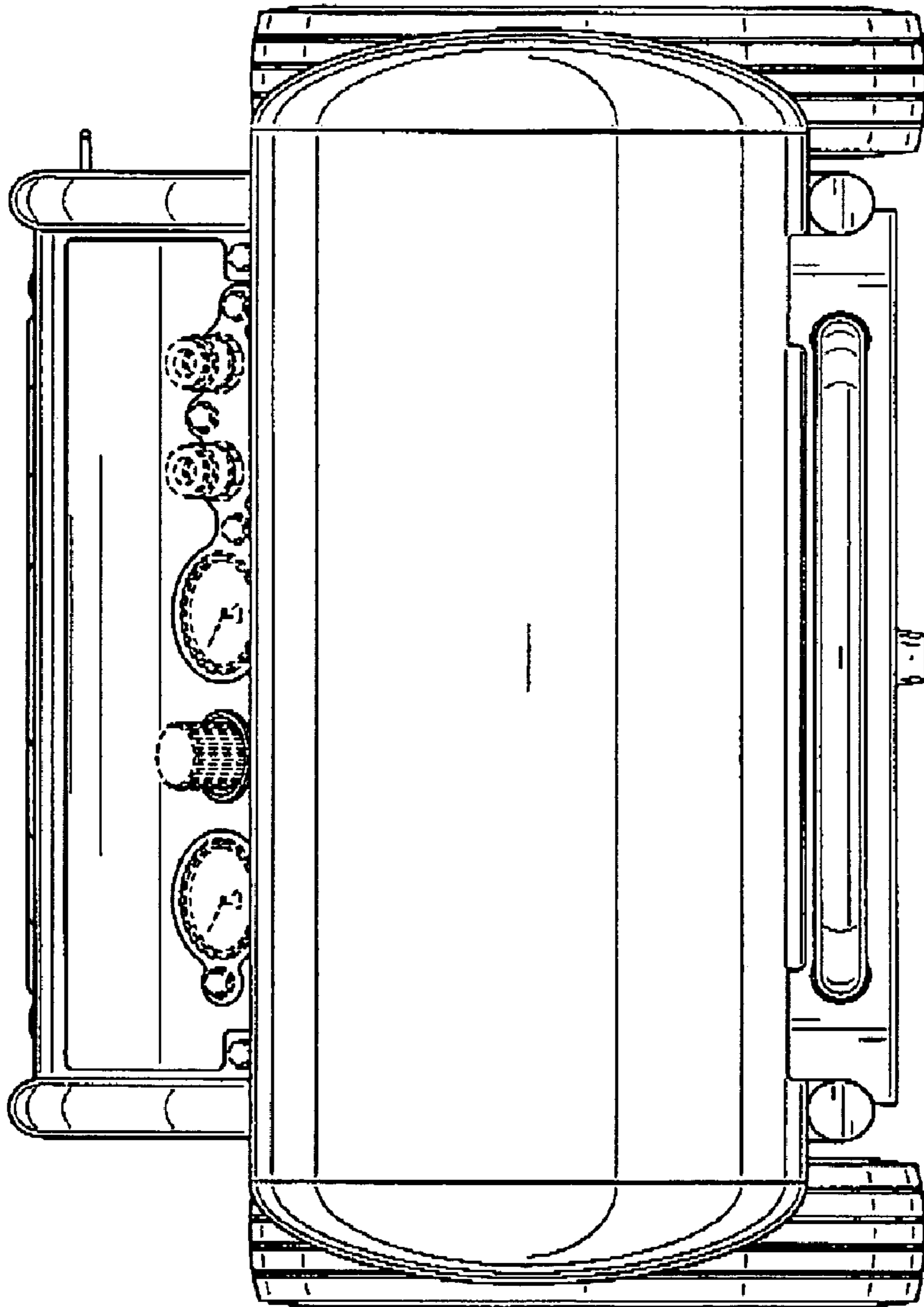


FIG. 2

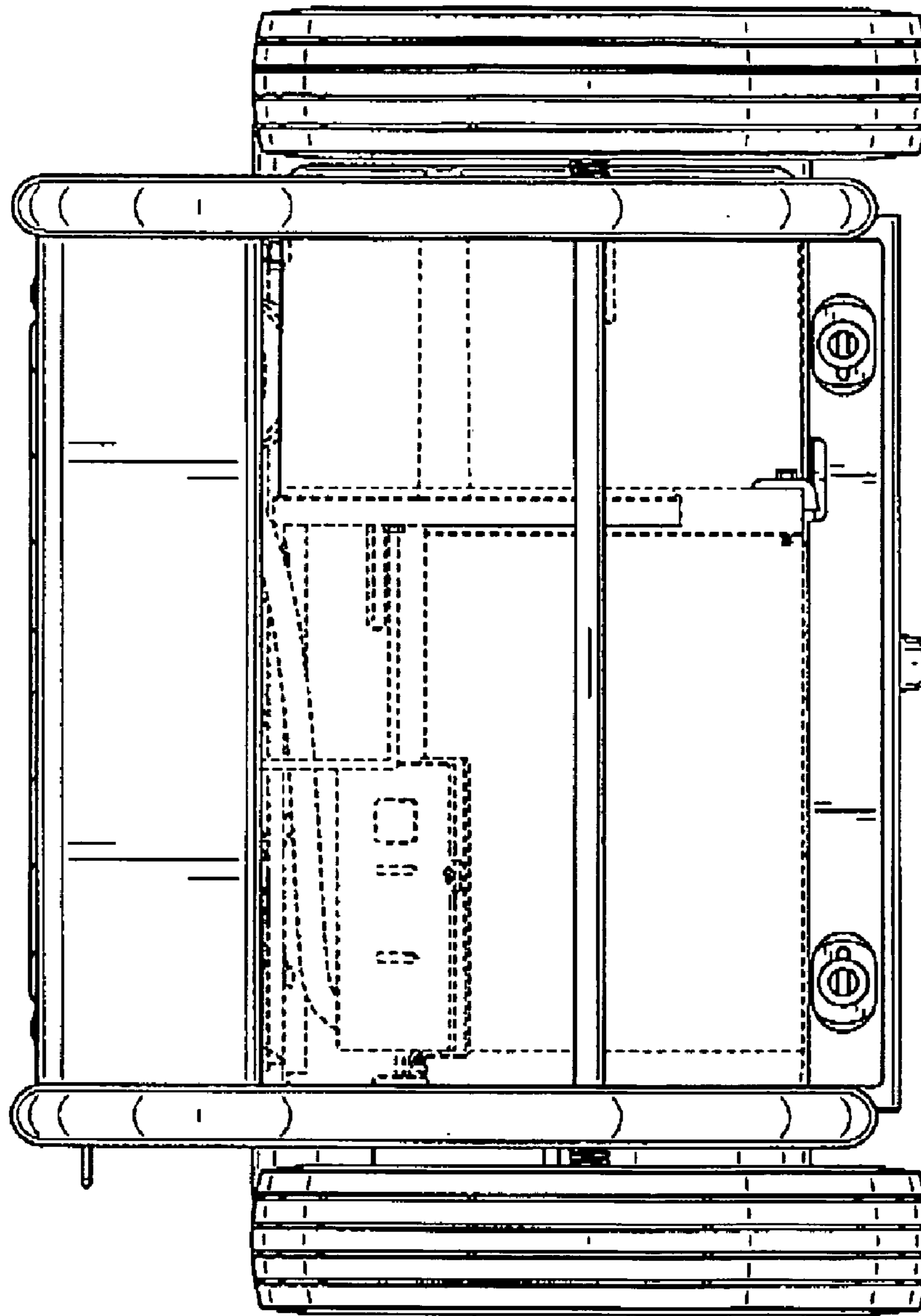


FIG. 3

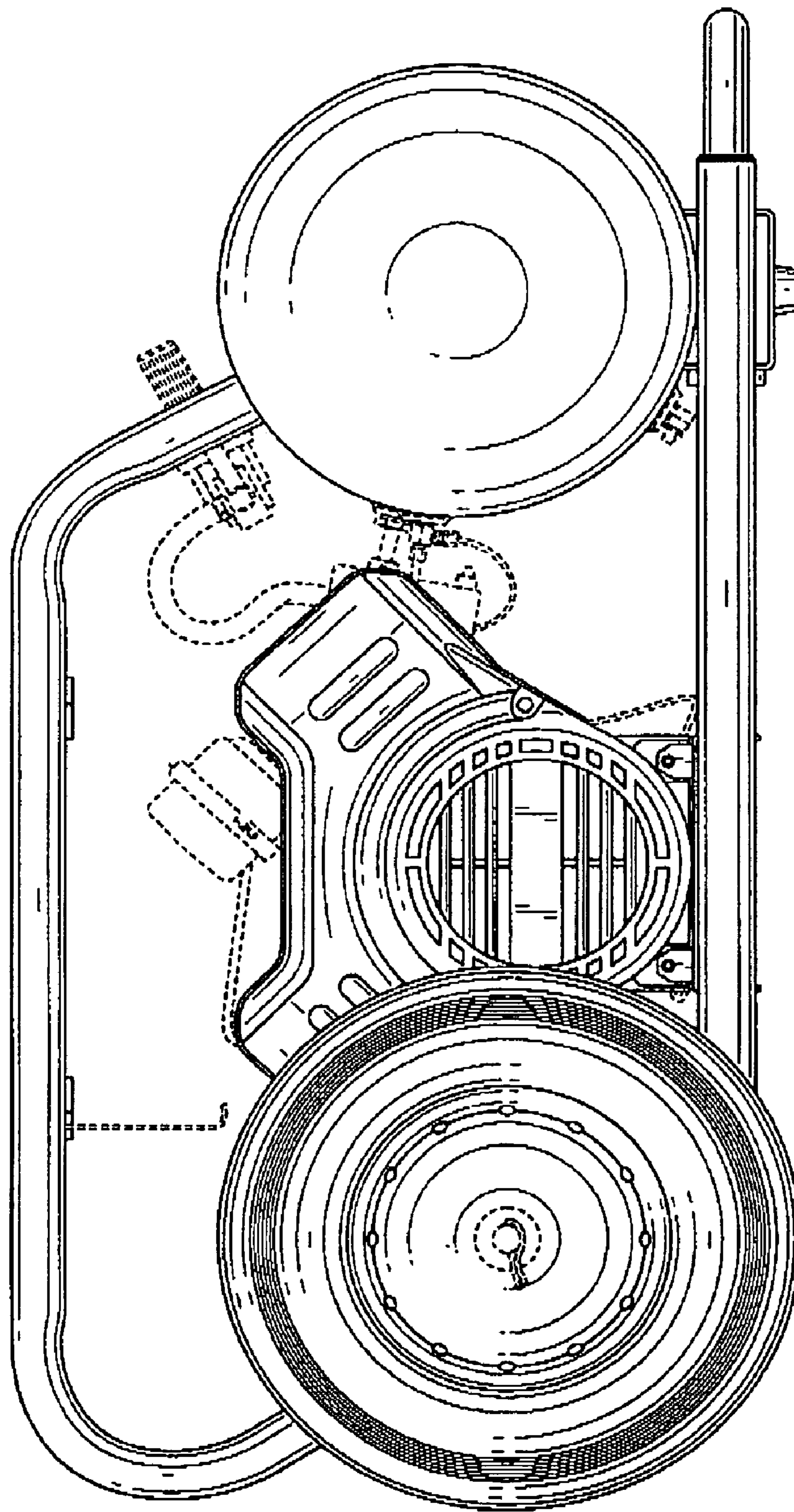


FIG. 4

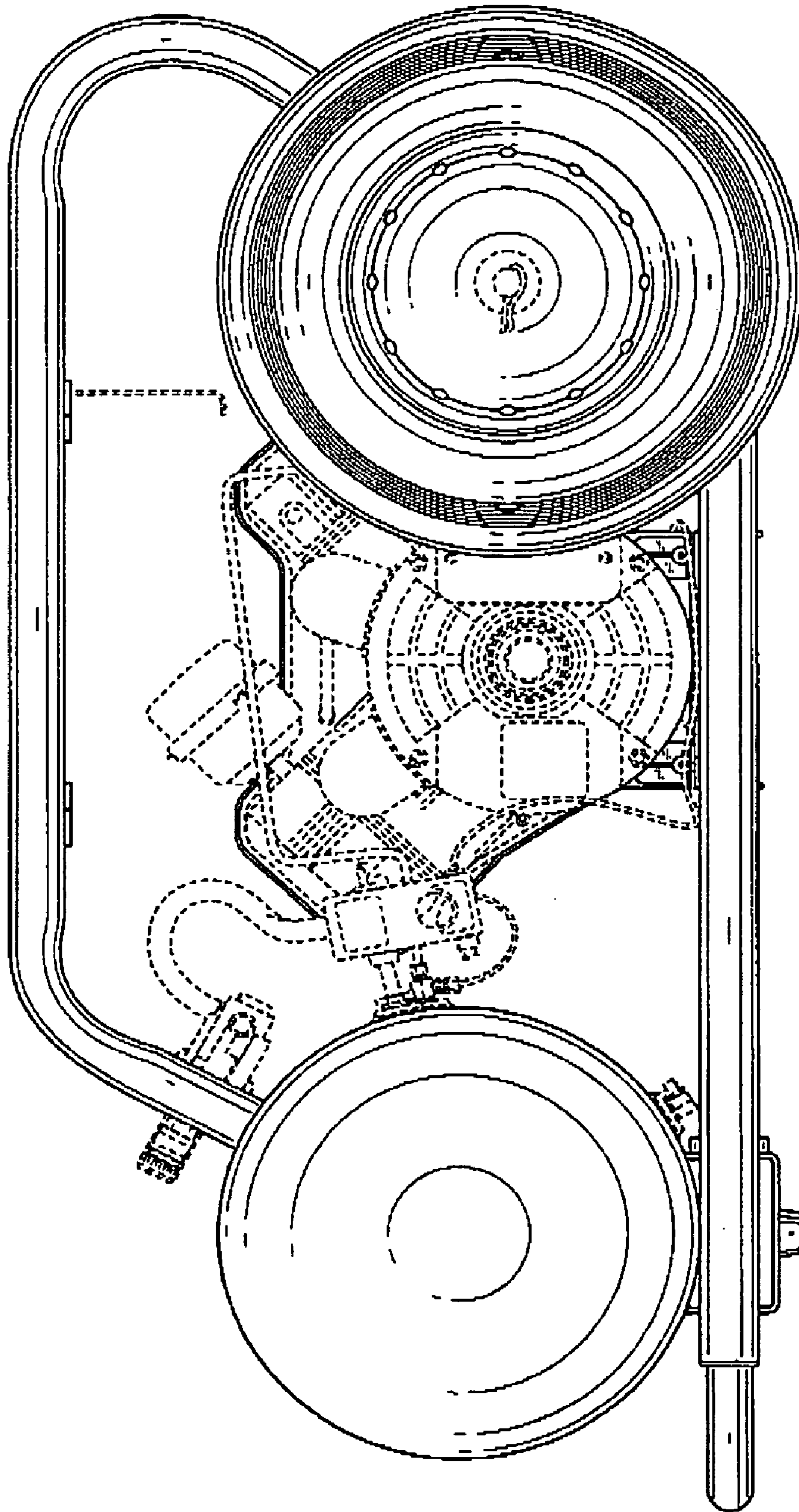


FIG. 5

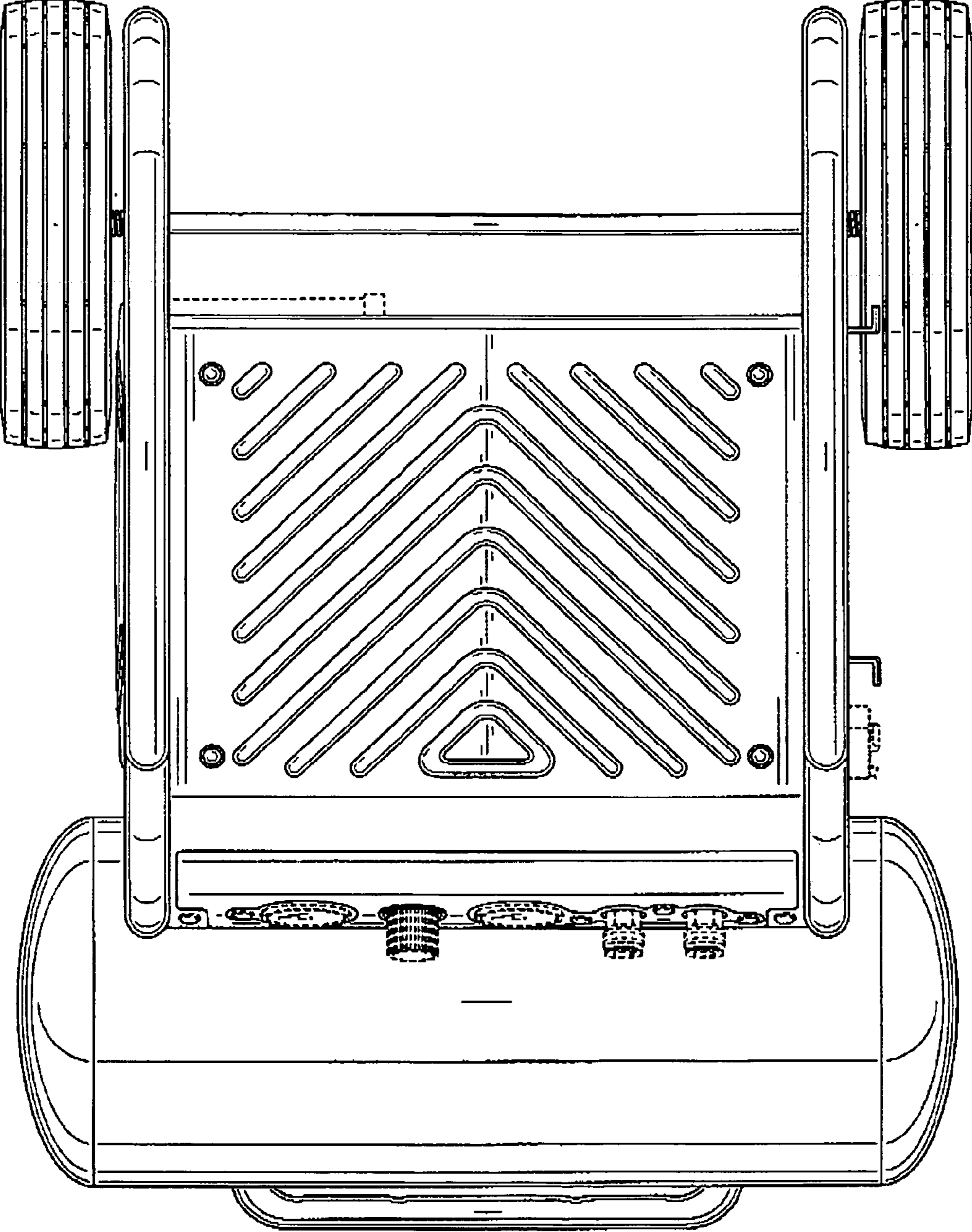


FIG. 6

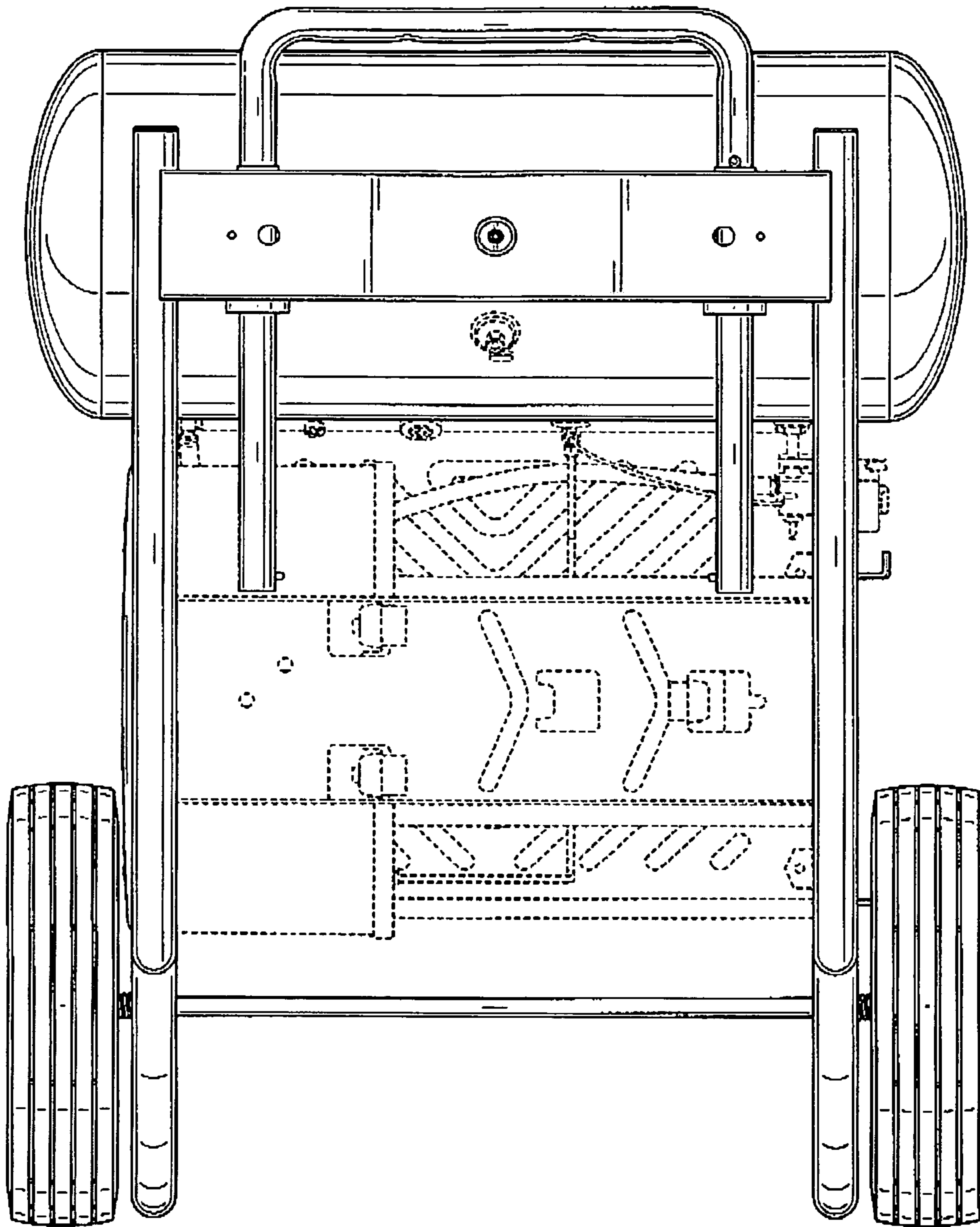


FIG. 7



UNITED STATES PATENT AND TRADEMARK OFFICE  
**CERTIFICATE OF CORRECTION**

PATENT NO. : D603,871 S  
APPLICATION NO. : 29/327619  
DATED : November 10, 2009  
INVENTOR(S) : Steinfels et al.

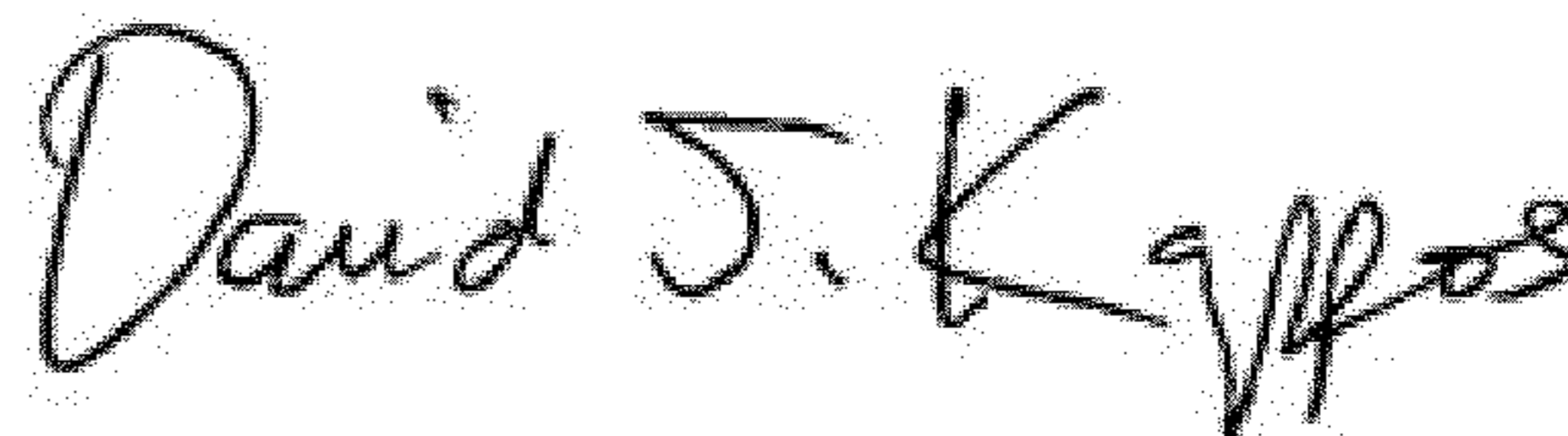
Page 1 of 9

It is certified that error appears in the above-identified patent and that said Letters Patent is hereby corrected as shown below:

The title page showing an illustrative figure should be deleted and substitute therefor the attached title page.

Delete drawing sheets 1-7 and substitute therefor the drawings sheets consisting of figures 1-7 as shown on the attached pages.

Signed and Sealed this  
Seventeenth Day of July, 2012

A handwritten signature in black ink that reads "David J. Kappos". The signature is written in a cursive style with a large initial "D" and "K".

David J. Kappos  
*Director of the United States Patent and Trademark Office*

(12) **United States Design Patent**  
Steinfels et al.

(10) **Patent No.:** US D603,871 S  
(45) **Date of Patent:** \*\* Nov. 10, 2009

(54) **WHEELED PORTABLE AIR COMPRESSOR**

(75) Inventors: **Craig R. Steinfels**, Jackson, TN (US);  
**Daniel U. Goodwin**, Lexington, TN (US)

(73) Assignee: **Black & Decker Inc.**, Newark, DE (US)

(\*\*) Term: **14 Years**

(21) Appl. No.: **29/327,619**

(22) Filed: **Nov. 10, 2008**

(51) **LOC (9) Cl.** ..... **15-02**

(52) **U.S. Cl.** ..... **D15/7**

(58) **Field of Classification Search** ..... D15/7-9;  
D23/231, 232, 225; 417/410.1, 359, 415-416,  
417/234, 321, 265, 405

See application file for complete search history.

(56) **References Cited**

**U.S. PATENT DOCUMENTS**

|              |         |                 |       |
|--------------|---------|-----------------|-------|
| D223,039 S   | 2/1972  | Widmer          |       |
| D460,763 S   | 7/2002  | Buck            |       |
| D461,196 S   | 8/2002  | Buck            |       |
| D482,371 S * | 11/2003 | Buck            | D15/9 |
| D487,096 S   | 2/2004  | Buck            |       |
| D487,097 S   | 2/2004  | Buck            |       |
| D491,197 S   | 6/2004  | Stilwell et al. |       |
| D493,179 S   | 7/2004  | Buck            |       |
| D499,120 S   | 11/2004 | Buck            |       |
| D499,430 S   | 12/2004 | Buck            |       |
| D499,747 S   | 12/2004 | Buck            |       |
| D512,075 S   | 11/2005 | Buck            |       |
| D531,191 S   | 10/2006 | Smith et al.    |       |
| D531,644 S   | 11/2006 | Smith et al.    |       |

|              |         |                  |       |
|--------------|---------|------------------|-------|
| D537,840 S   | 3/2007  | Smith et al.     |       |
| D537,841 S   | 3/2007  | Smith et al.     |       |
| D541,306 S   | 4/2007  | Welsh et al.     |       |
| D553,647 S * | 10/2007 | Steinfels et al. | D15/9 |
| D555,173 S * | 11/2007 | Smith et al.     | D15/9 |
| D559,272 S   | 1/2008  | Buck et al.      |       |
| D574,020 S * | 7/2008  | Buck et al.      | D15/9 |
| D575,309 S * | 8/2008  | Steinfels et al. | D15/9 |

**OTHER PUBLICATIONS**

Porter Cable—Job Boss (TM) 4.5 Gallon 150 PSI Portable Air Compressor Model No. C3551 <http://www.porter-cable.com/index.asp?e=4434&t=t&p=4797>.

\* cited by examiner

*Primary Examiner*—R. Seifert

(74) *Attorney, Agent, or Firm*—Rhonda L. Barton; Michael P. Leary; Adan Ayala

(57) **CLAIM**

The ornamental design for a wheeled portable air compressor, as shown and described.

**DESCRIPTION**

FIG. 1 is a top/front perspective view of a wheeled portable air compressor showing our new design.

FIG. 2 is a front view thereof.

FIG. 3 is a rear view thereof.

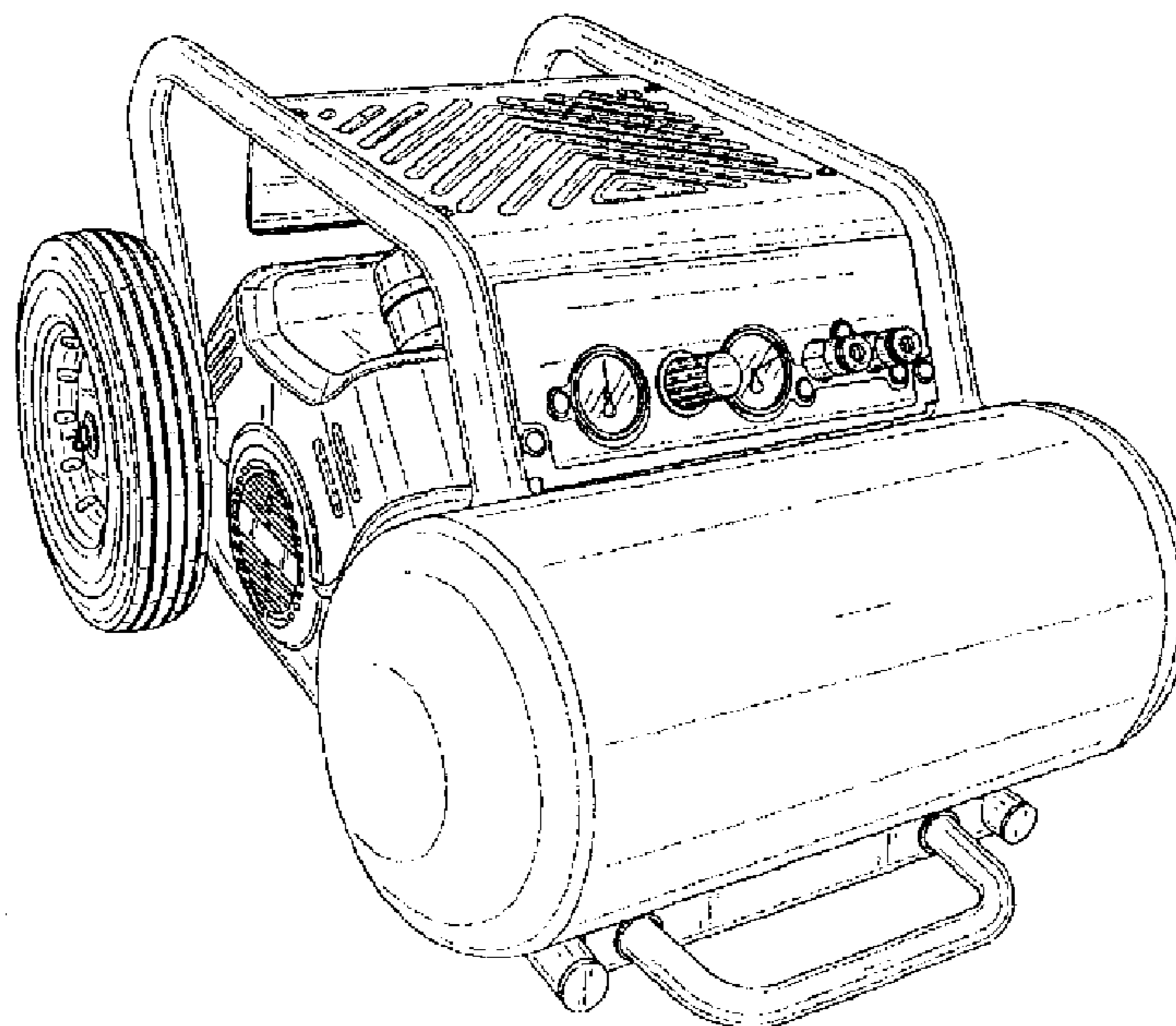
FIG. 4 is a left side view thereof.

FIG. 5 is a right side view thereof.

FIG. 6 is a top view thereof; and,

FIG. 7 is a bottom view thereof.

**1 Claim, 7 Drawing Sheets**



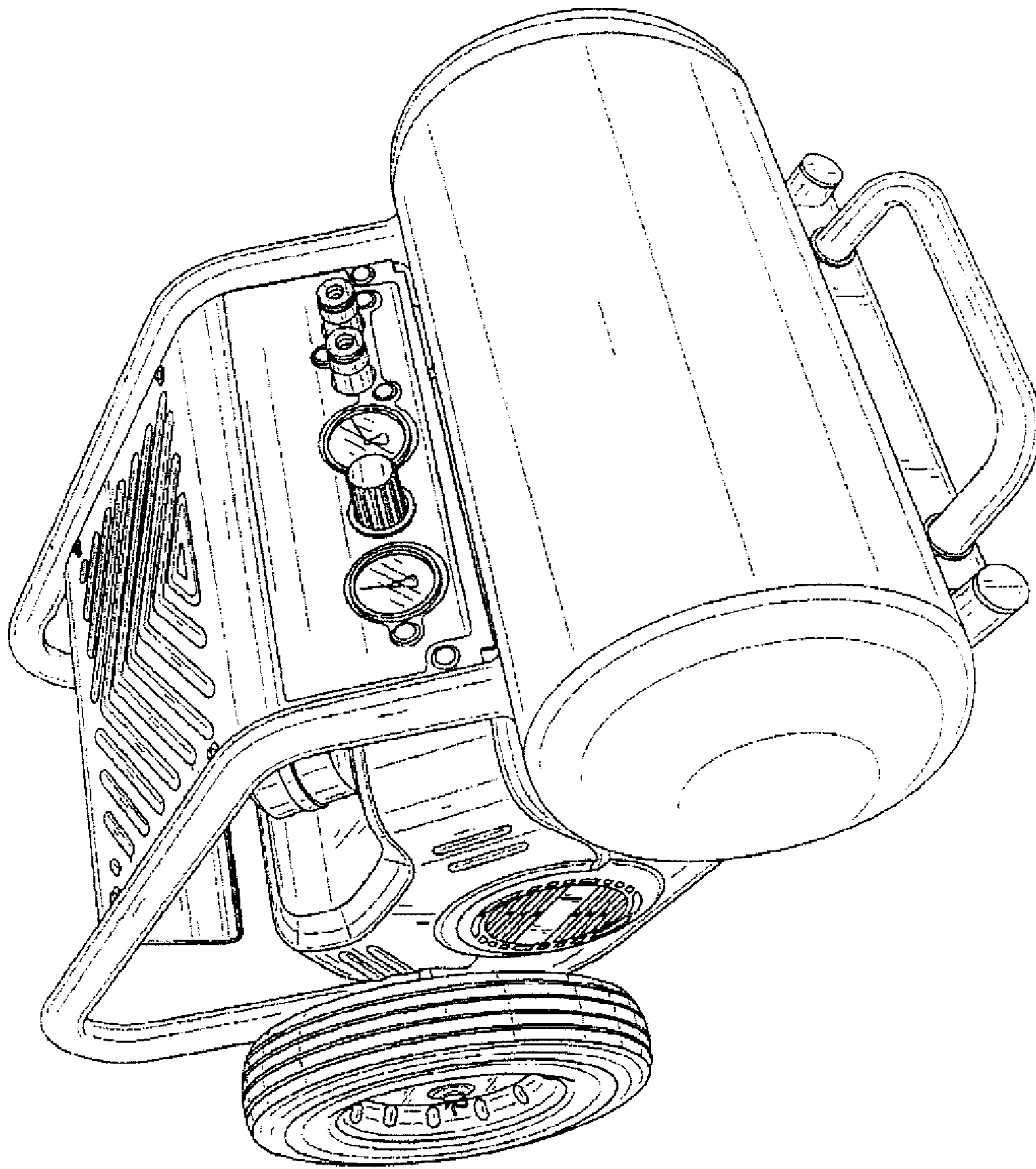


FIG. 1

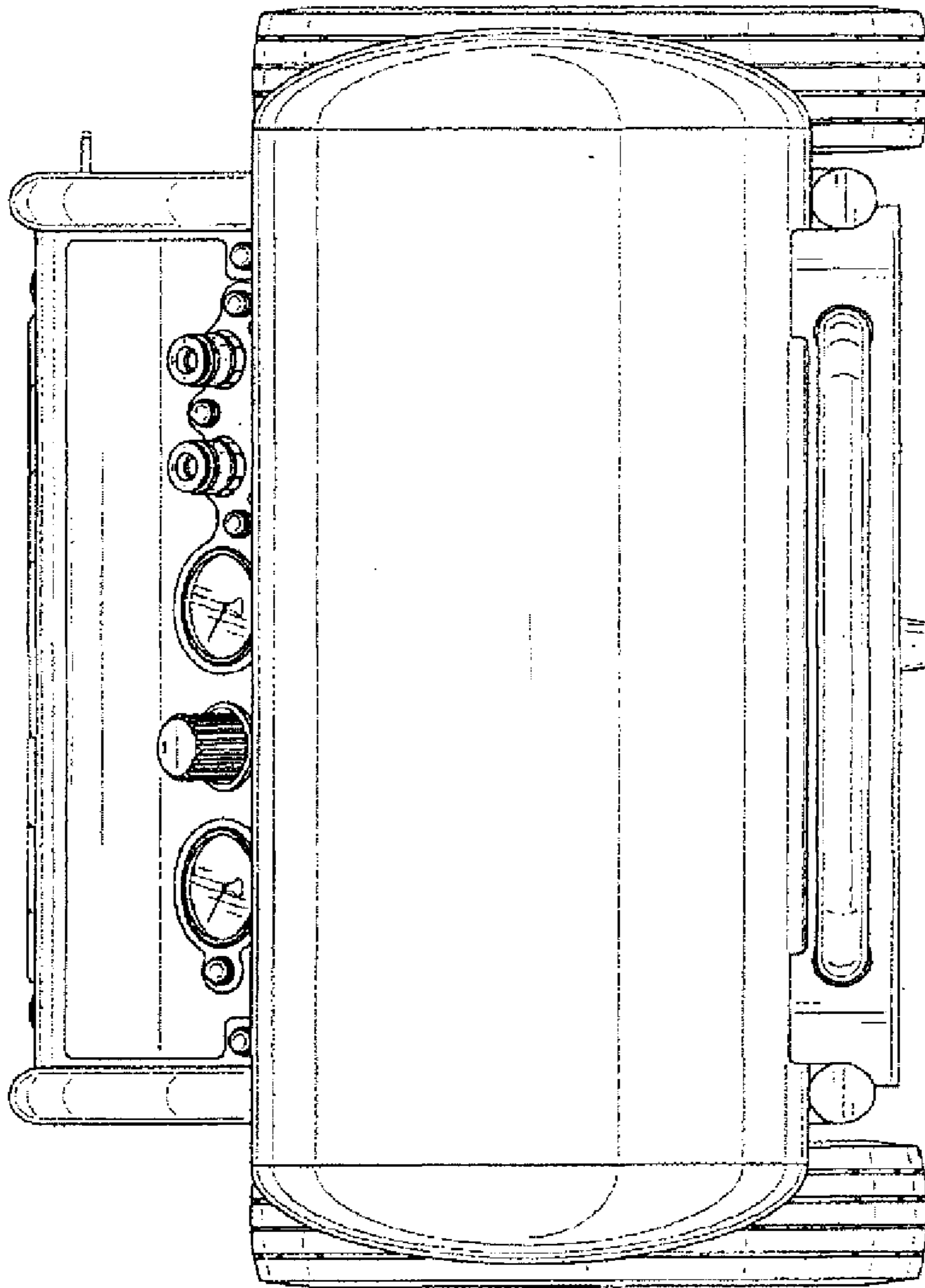


FIG. 2

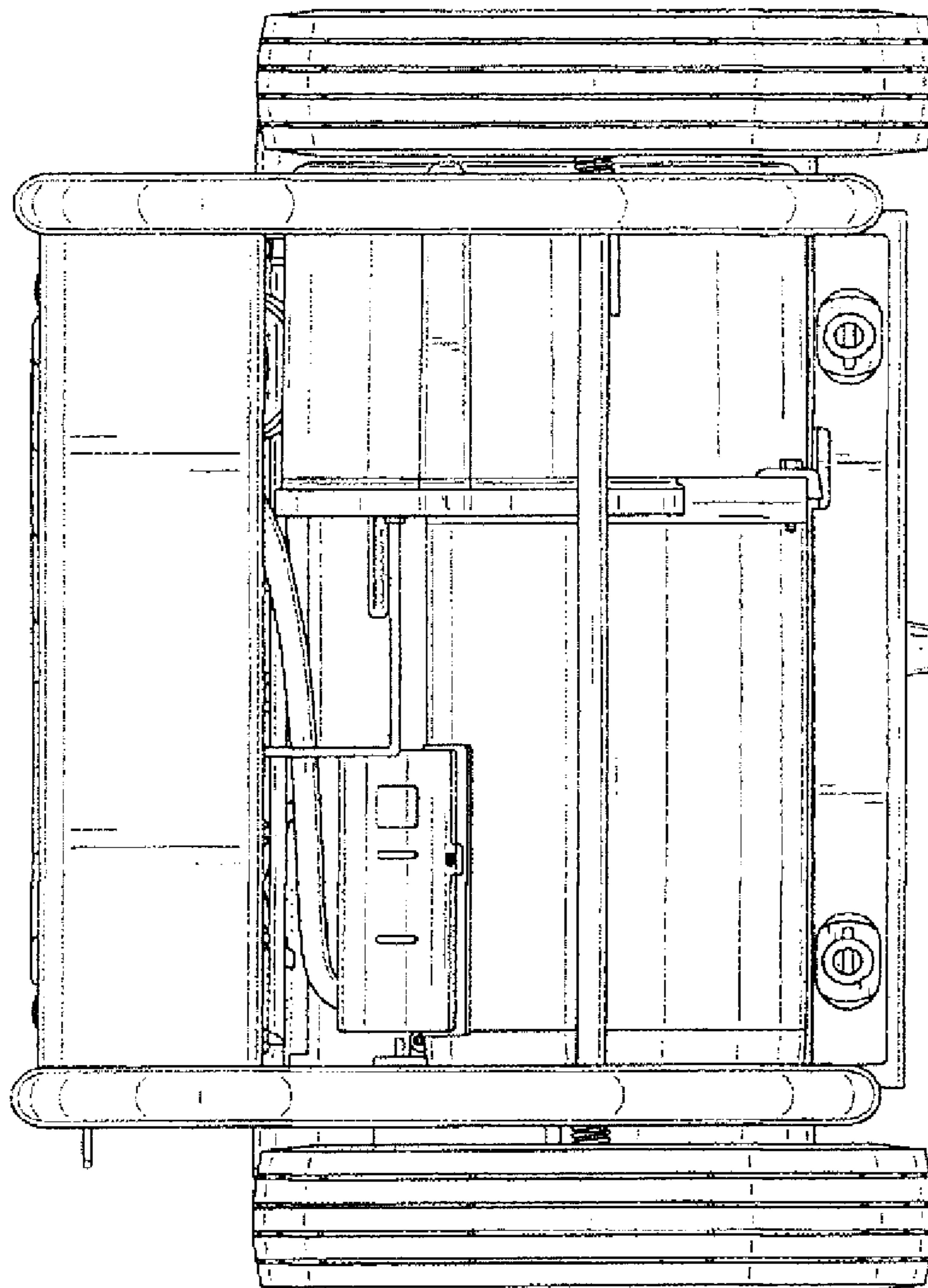


FIG. 3

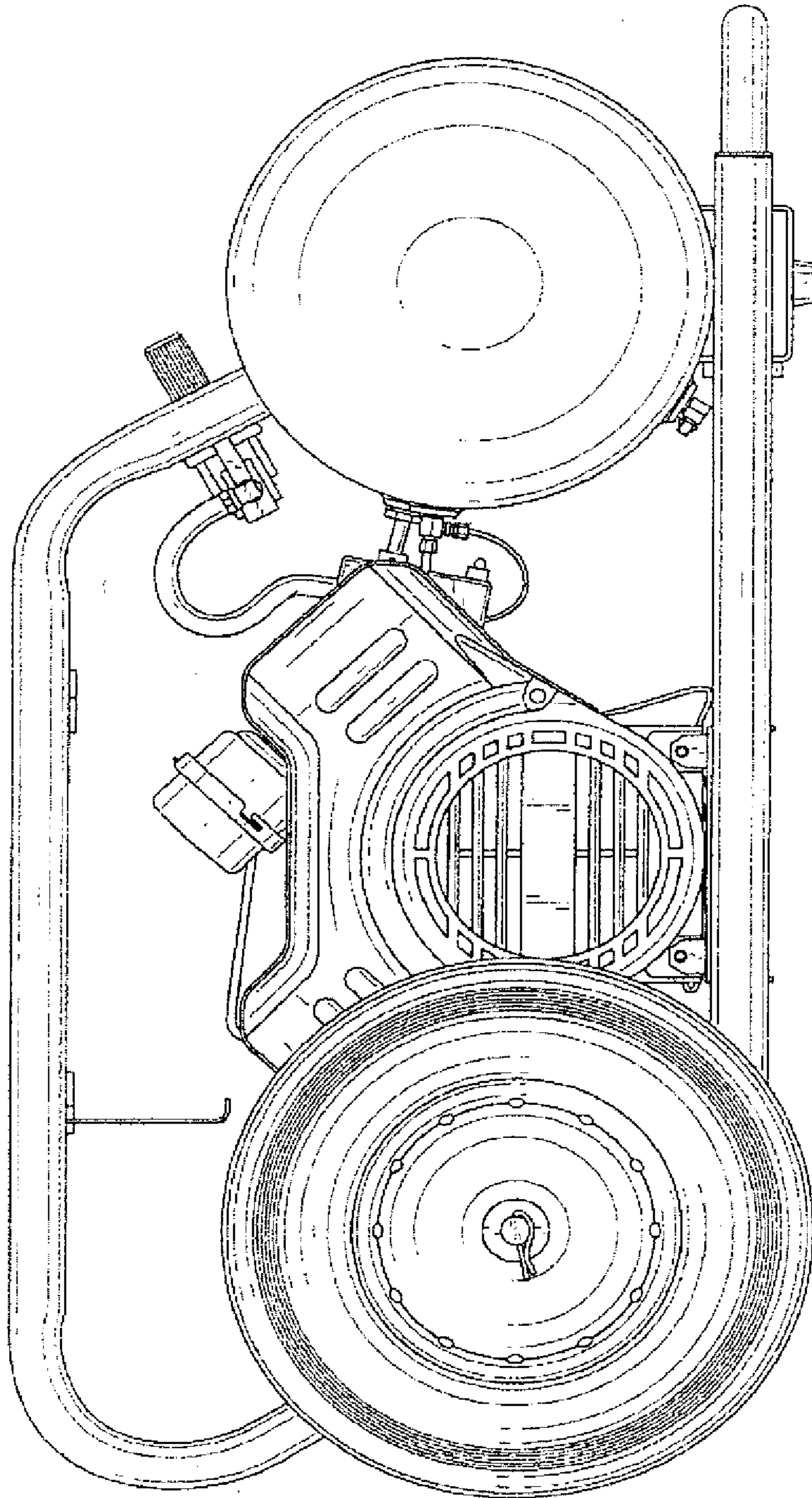


FIG. 4

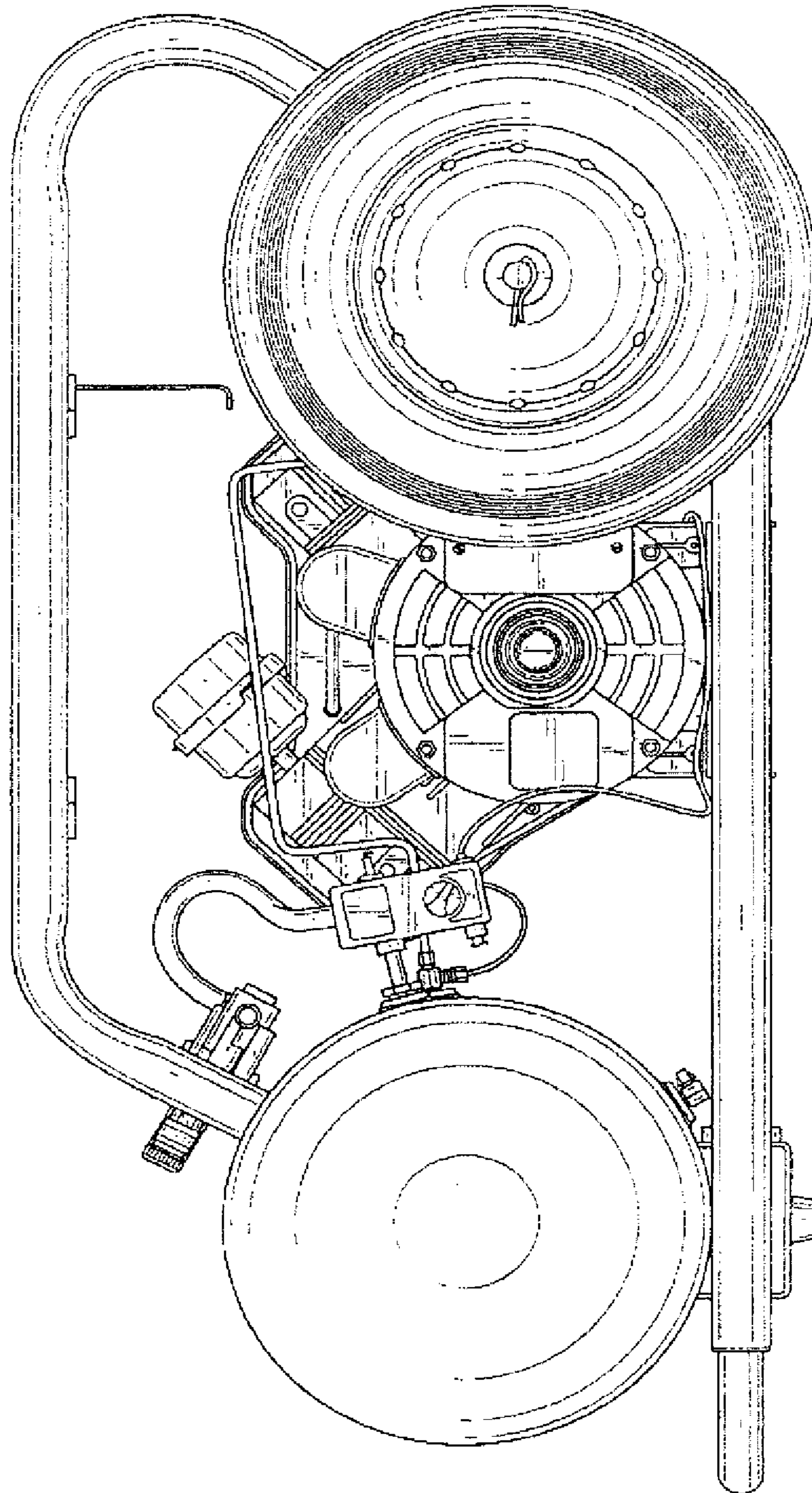


FIG. 5

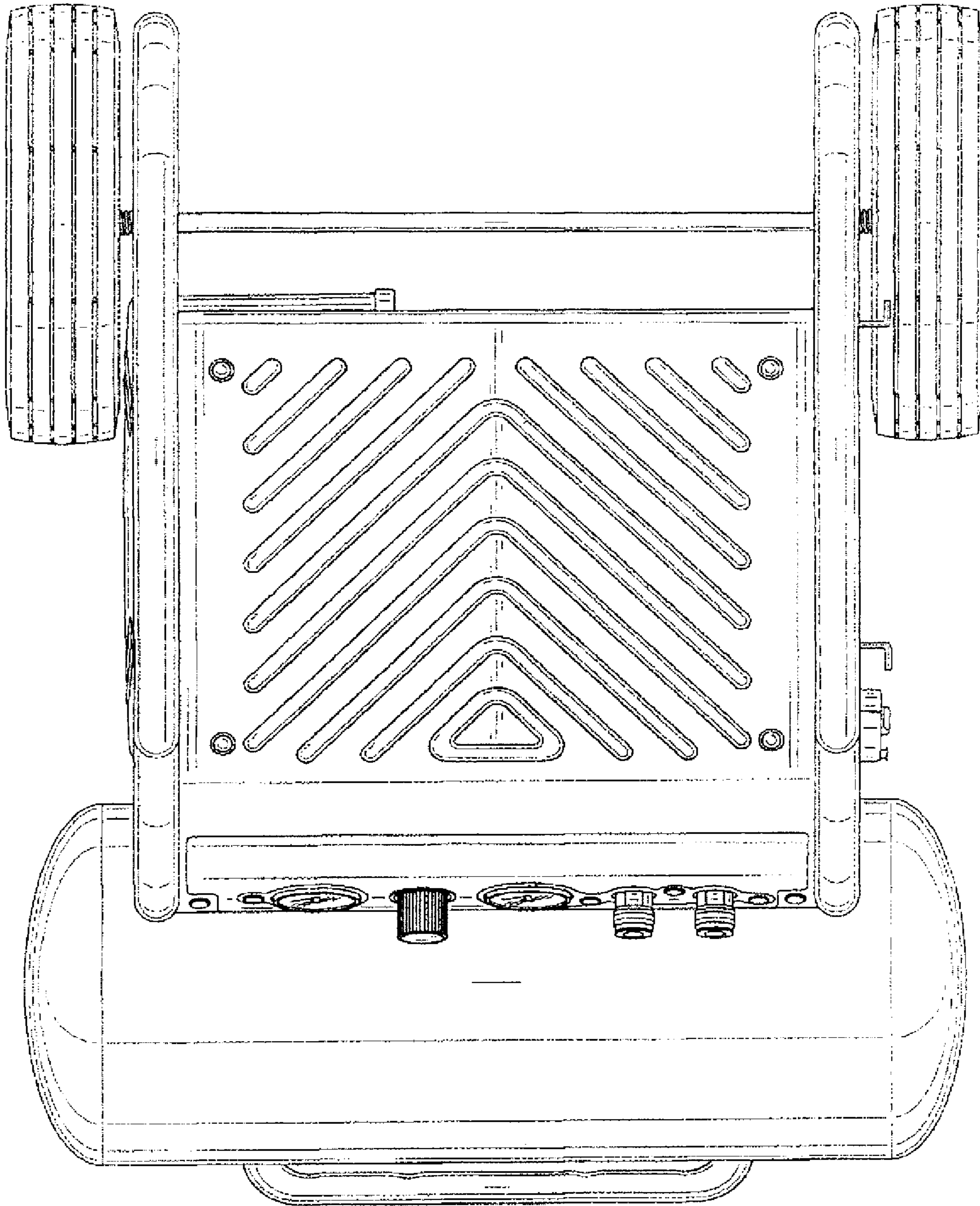


FIG. 6



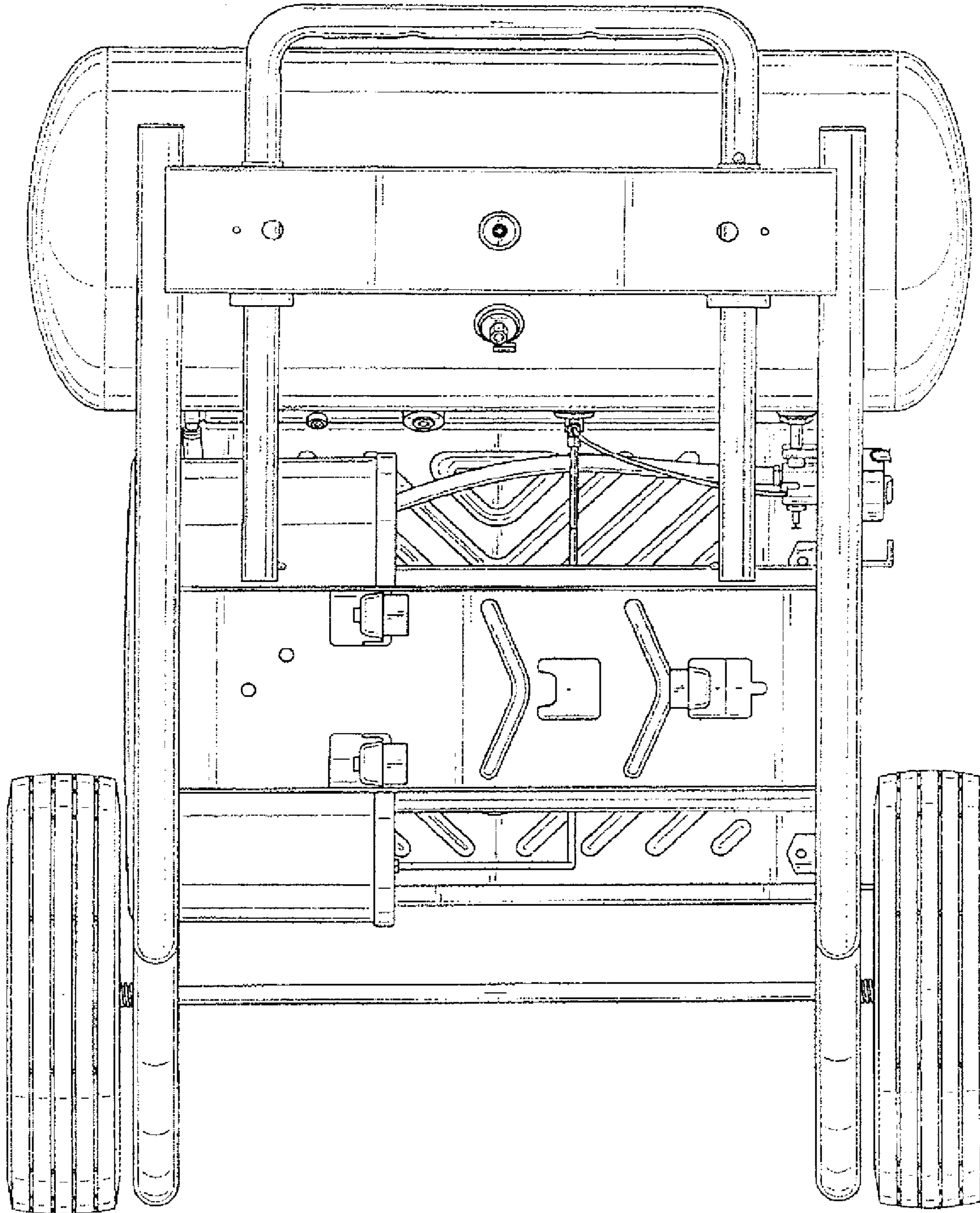


FIG. 7