



US00D603870S

(12) **United States Design Patent**
Mehnert et al.

(10) **Patent No.:** **US D603,870 S**

(45) **Date of Patent:** **** Nov. 10, 2009**

(54) **PUMP**

D453,525 S * 2/2002 Lutes D15/7
D589,983 S * 4/2009 Sinico D15/7

(75) Inventors: **Kurt Mehnert**, Berlin (DE); **Jan Eickhoff**, Berlin (DE)

(73) Assignee: **WILO SE**, Dortmund (DE)

* cited by examiner

(**) Term: **14 Years**

Primary Examiner—R. Seifert

(74) *Attorney, Agent, or Firm*—Collard & Roe, P.C.

(21) Appl. No.: **29/313,432**

(57) **CLAIM**

(22) Filed: **Jan. 6, 2009**

The ornamental design for a pump, as shown and described.

(30) **Foreign Application Priority Data**

Jul. 7, 2008 (EM) 000964739-0003

DESCRIPTION

(51) **LOC (9) Cl.** **15-02**

(52) **U.S. Cl.** **D15/7**

(58) **Field of Classification Search** D15/7-9;
D23/231, 232, 225; 417/410.1, 359, 415-416,
417/234, 321, 265, 405

See application file for complete search history.

FIG. 1 is a perspective view of a pump showing our design;

FIG. 2 is a top view thereof;

FIG. 3 is a bottom view thereof;

FIG. 4 is a right side view thereof;

FIG. 5 is a left side view thereof;

FIG. 6 is a front view thereof; and,

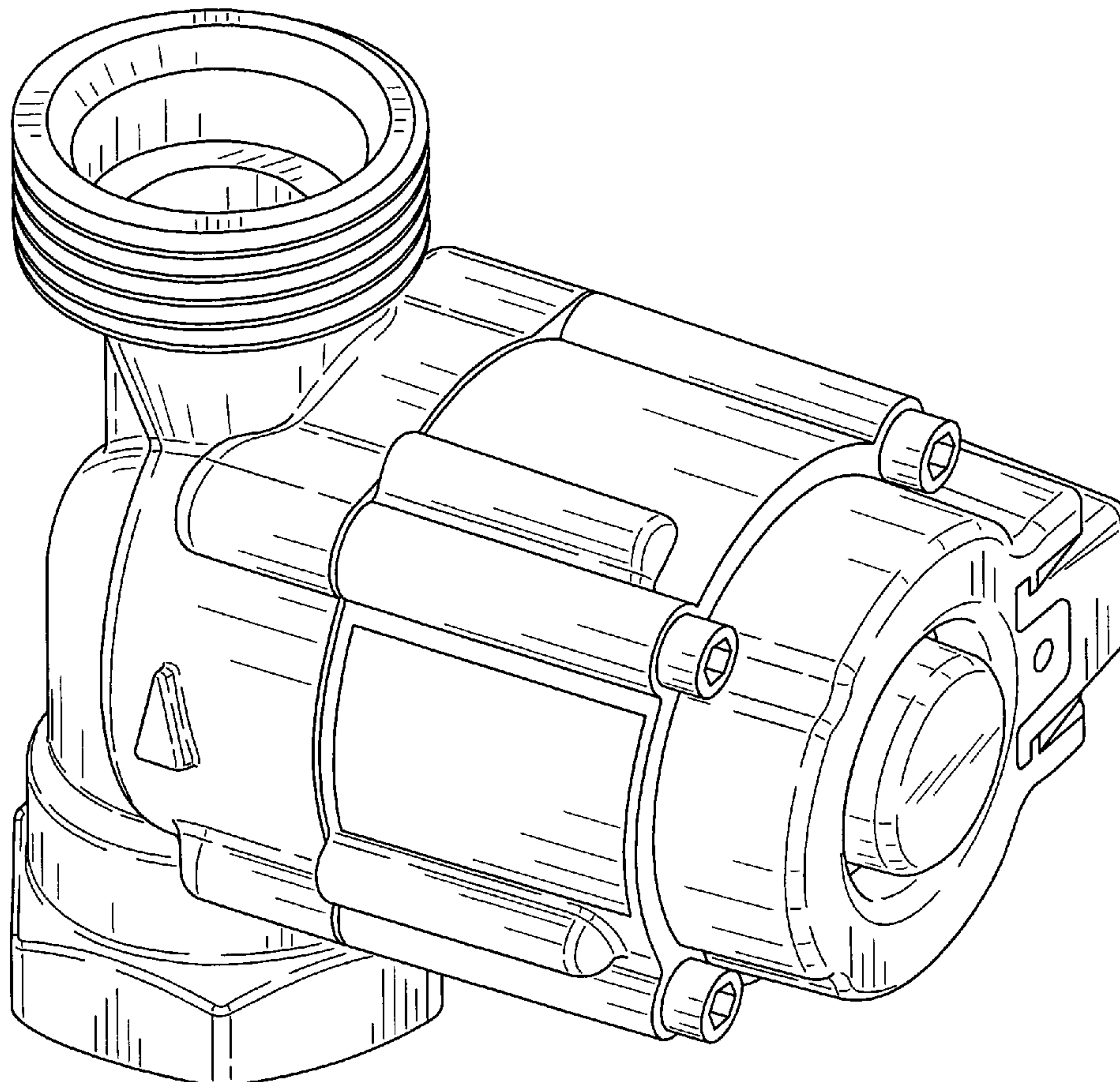
FIG. 7 is a rear view thereof.

(56) **References Cited**

U.S. PATENT DOCUMENTS

D305,124 S * 12/1989 Singhoff D15/7

1 Claim, 7 Drawing Sheets



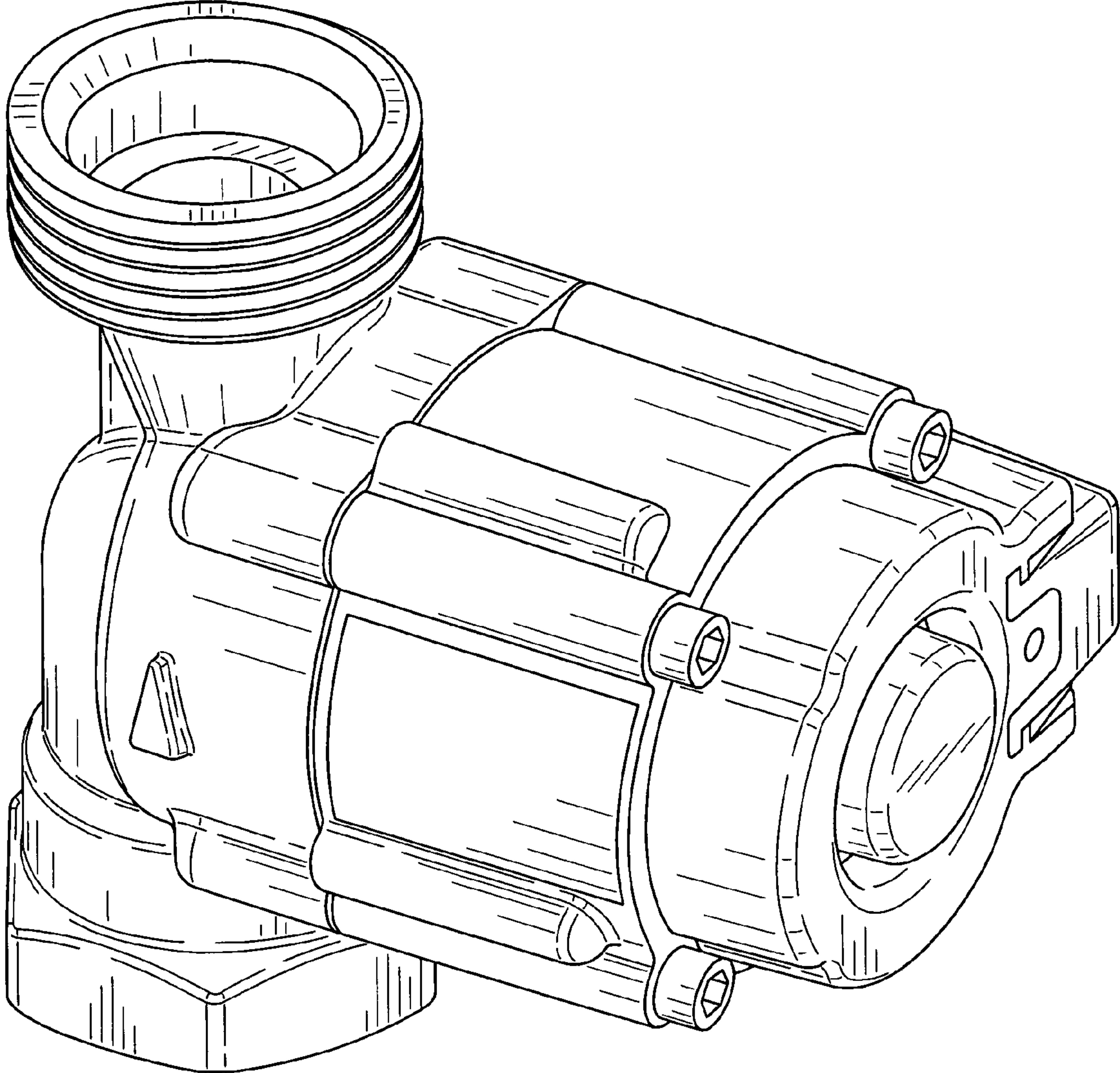


FIG. 1

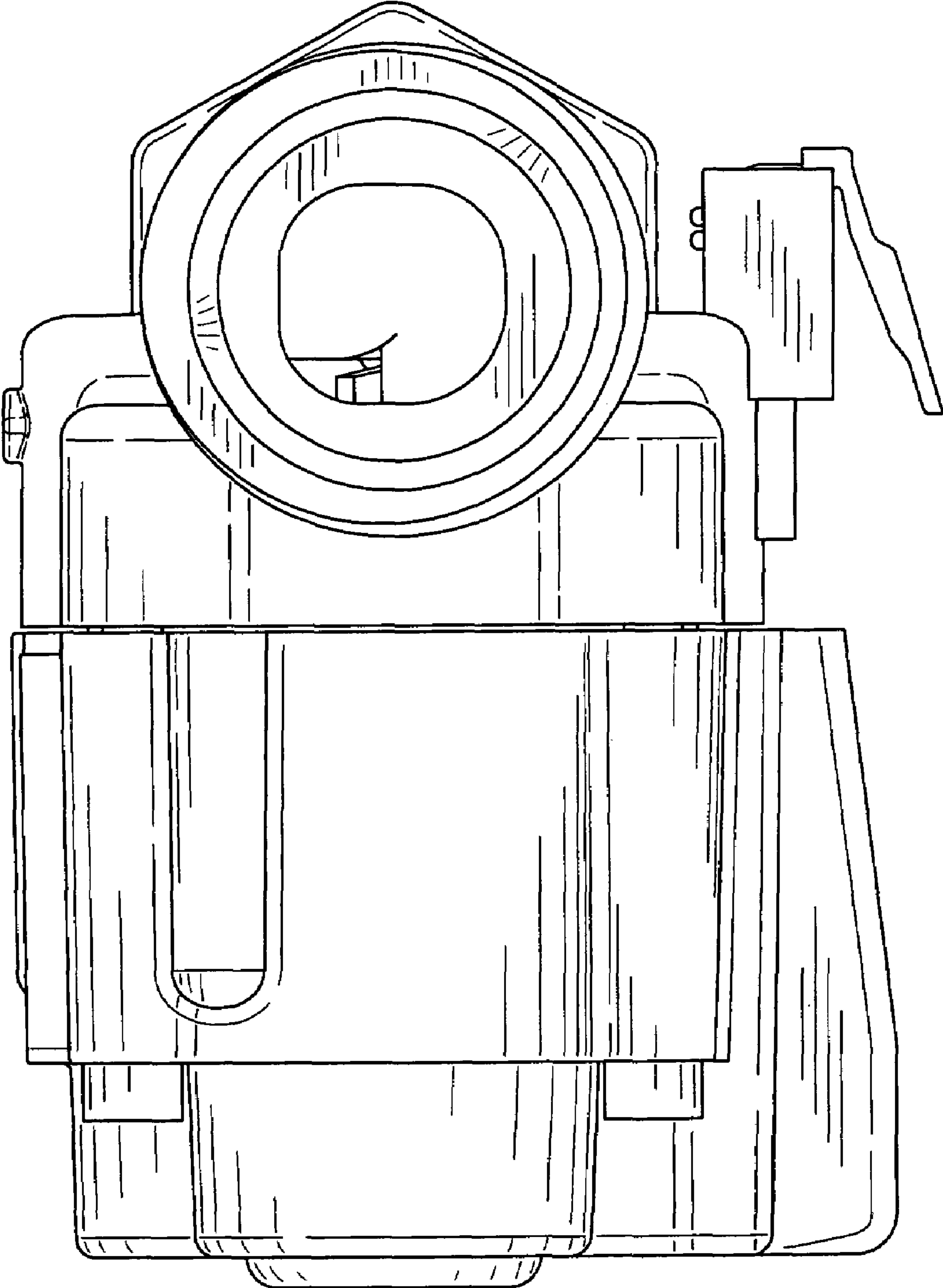


FIG. 2

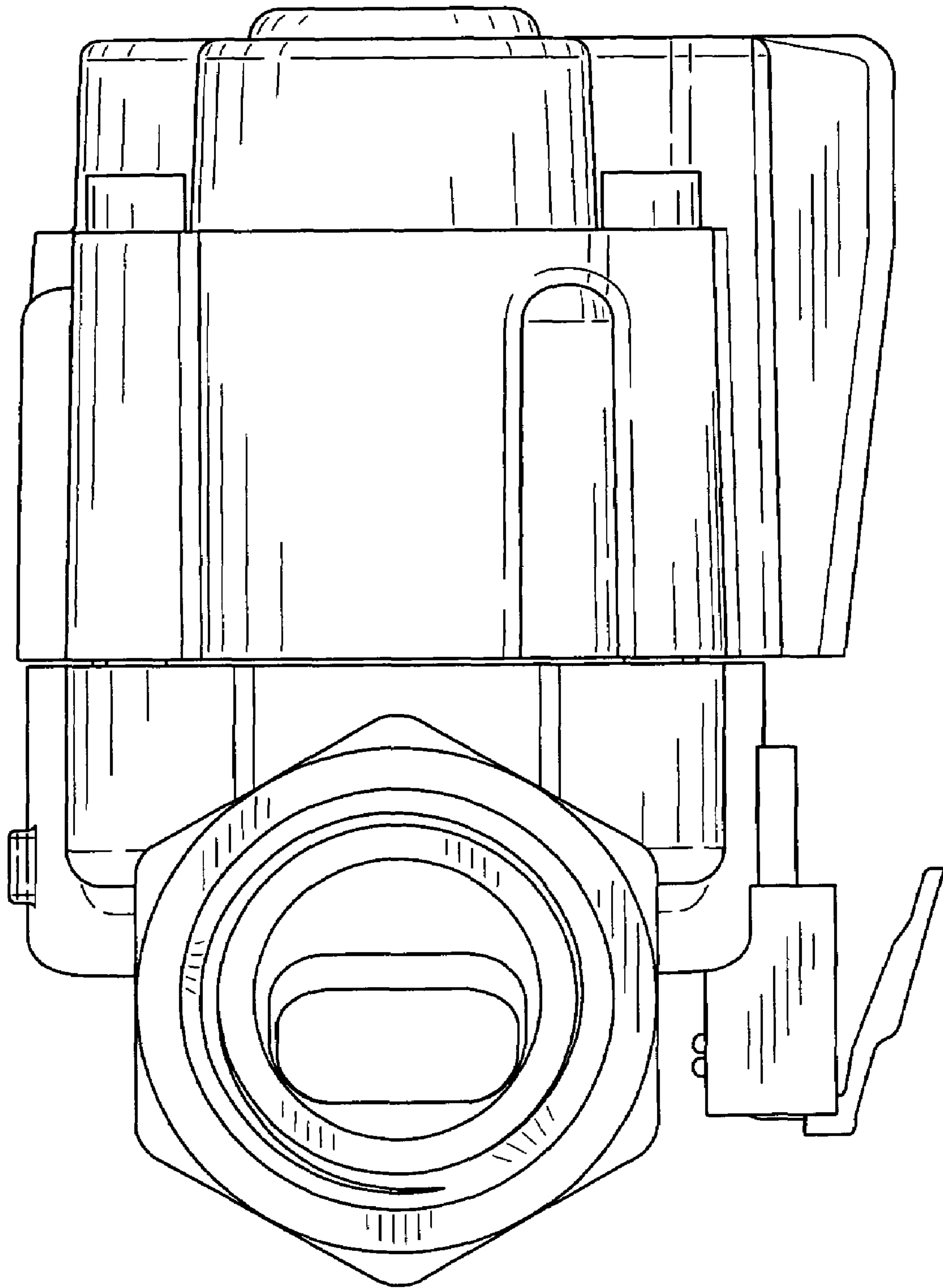


FIG. 3

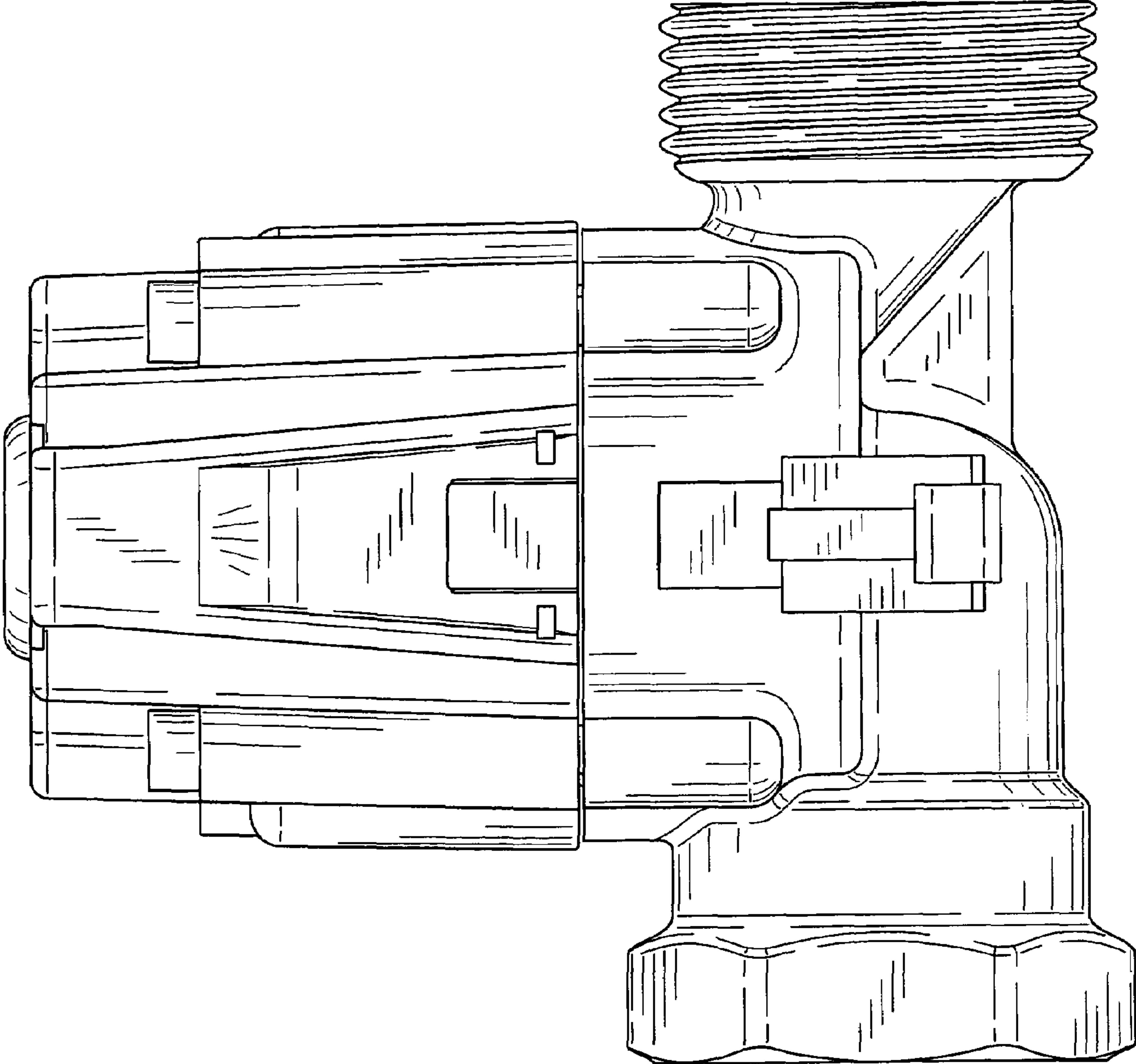


FIG. 4

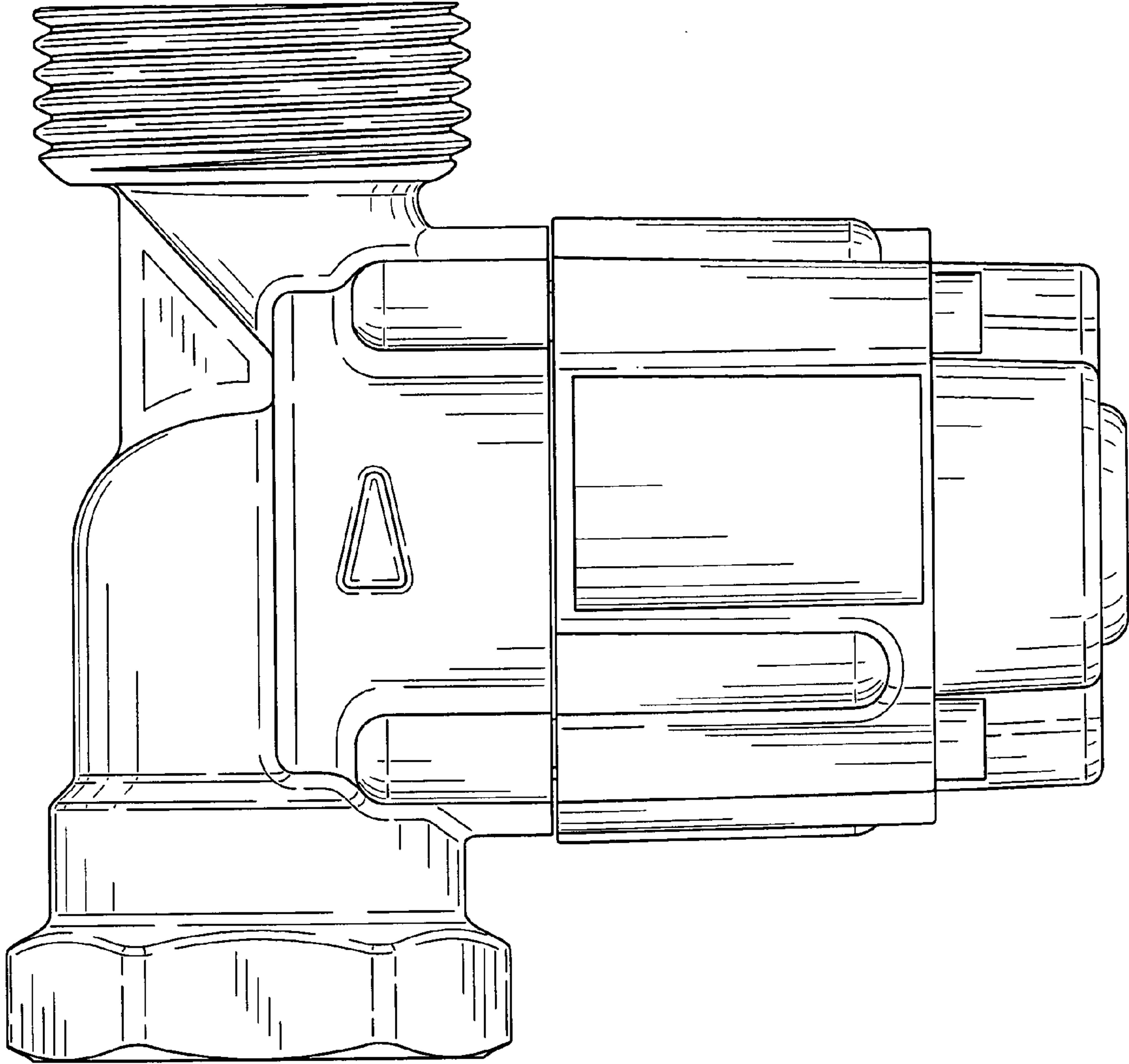


FIG. 5

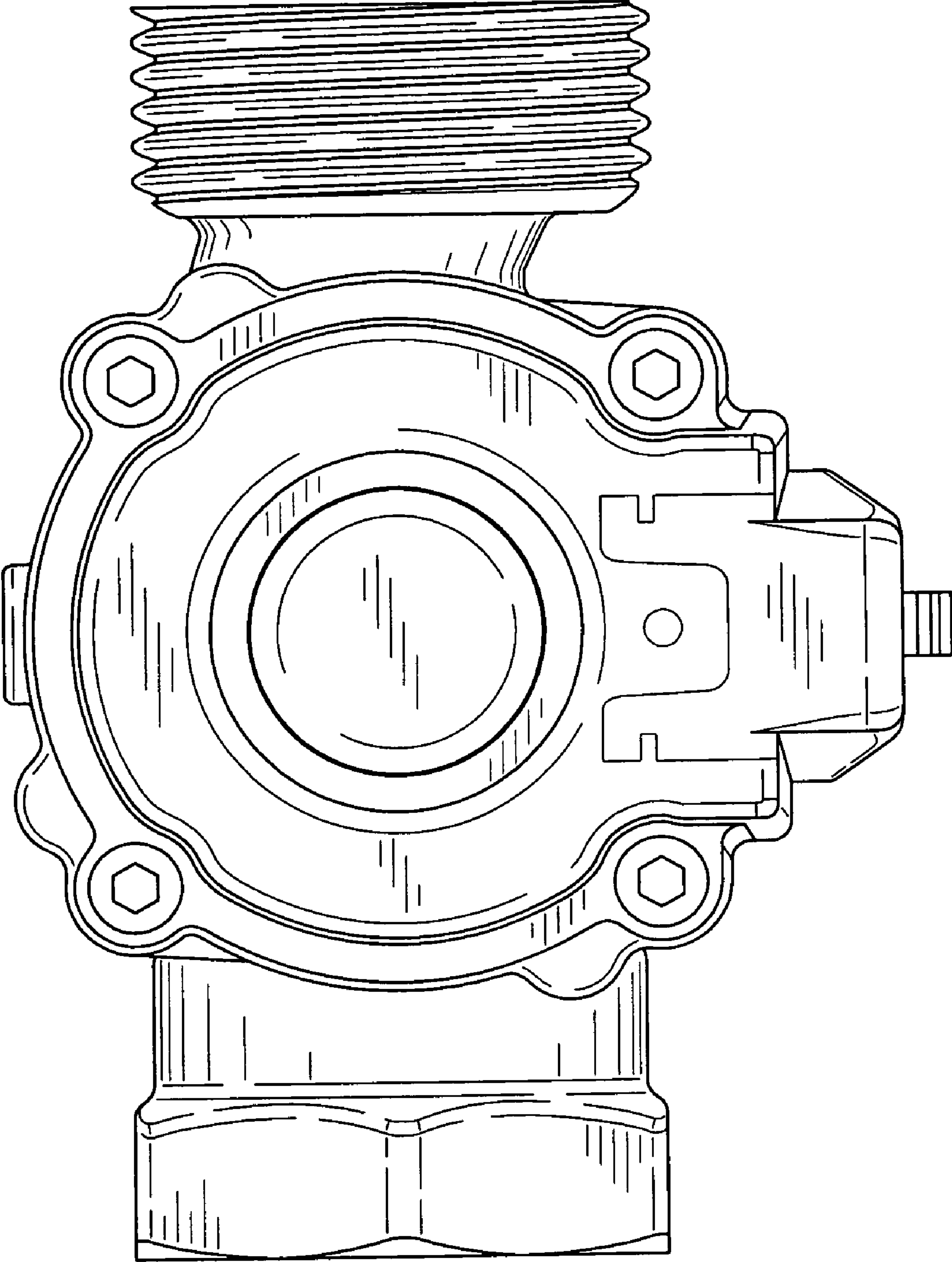


FIG. 6

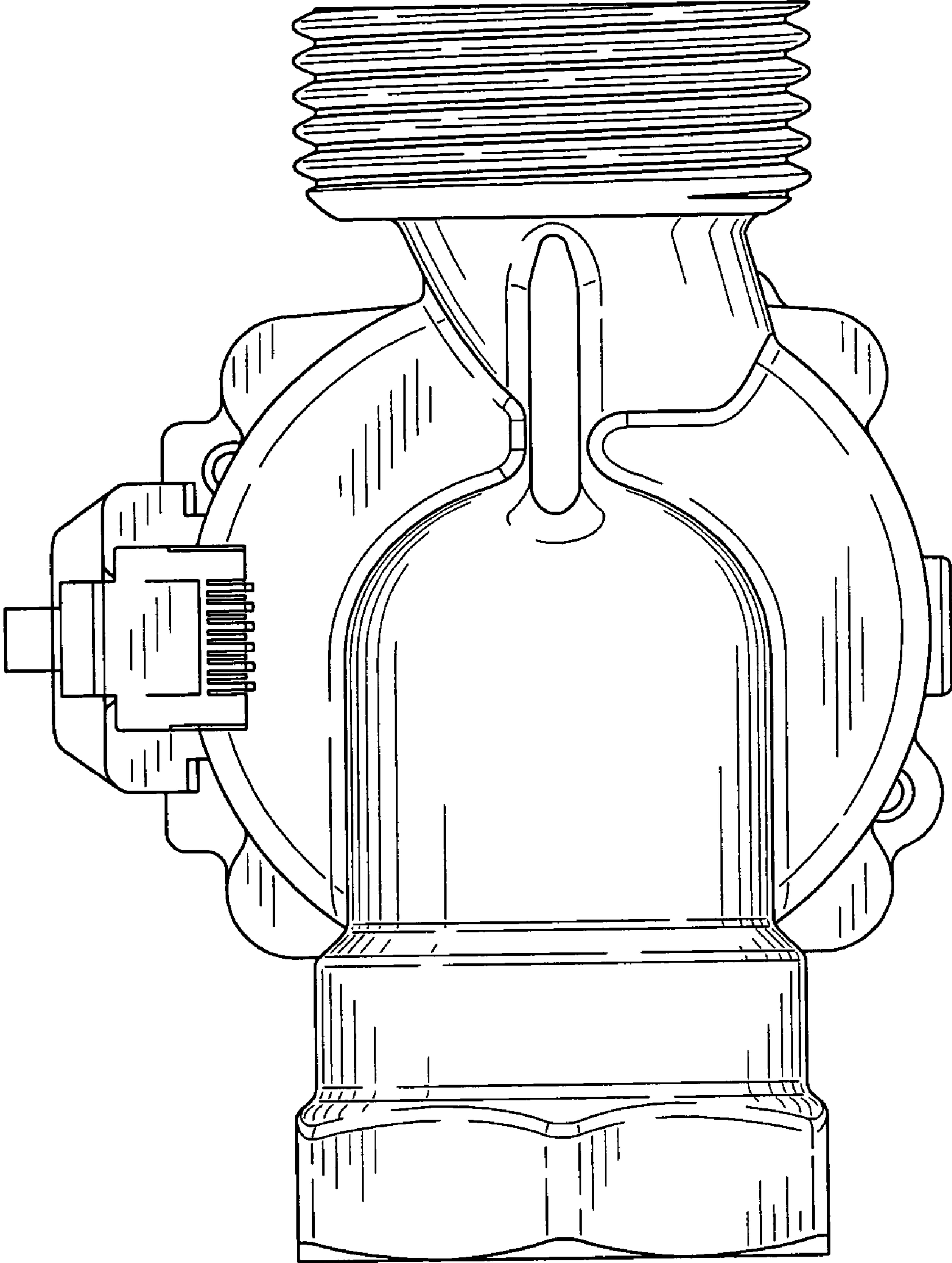


FIG. 7