



US00D603864S

(12) **United States Design Patent**
Borislow

(10) **Patent No.:** **US D603,864 S**

(45) **Date of Patent:** **** Nov. 10, 2009**

(54) **USB DEVICE FOR FACILITATING VOIP CALLS**

(75) **Inventor:** **Daniel M. Borislow**, Palm Beach, FL (US)

(73) **Assignee:** **YMAX Communications Corp.**, West Palm Beach, FL (US)

(**) **Term:** **14 Years**

(21) **Appl. No.:** **29/302,696**

(22) **Filed:** **Jan. 22, 2008**

(51) **LOC (9) Cl.** **14-02**

(52) **U.S. Cl.** **D14/435.1**

(58) **Field of Classification Search** D14/432-435, D14/356, 483, 439, 341, 363, 365, 137, 156, D14/167, 240, 242, 299, 348, 384, 385, 402, D14/496; D13/184, 199; 361/683-686, 361/625, 725, 737, 732, 784, 803; 439/135, 439/139-141, 144, 518, 638, 165, 173, 31; 365/63, 131; 70/58, 30; 711/115; 429/185, 429/96; 174/250, 255; 708/142; 360/69, 360/98.02, 99.01; 379/413.02, 88.17, 900; 370/352-359, 401, 402, 382-384; 710/13, 710/305, 62, 74, 68, 61; 709/235; 235/380, 235/492, 472.02, 441; 726/20, 7, 9, 12, 16, 726/17, 21; 455/557

See application file for complete search history.

(56) **References Cited**

U.S. PATENT DOCUMENTS

1,226,727	A *	5/1917	Wachtel	362/196
D248,470	S *	7/1978	Talesfore	D14/435
D257,345	S *	10/1980	Levy	D14/435
D264,347	S *	5/1982	Peroni	D18/11
D269,088	S *	5/1983	Genaro et al.	D14/137
D273,295	S *	4/1984	Stewart	D14/365
D280,317	S *	8/1985	Boyd et al.	D13/103
D281,600	S *	12/1985	Claxton et al.	D14/191
D291,310	S *	8/1987	Ogura	D14/191

D314,382	S *	2/1991	Scheid et al.	D14/191
D321,174	S *	10/1991	Tsuchiya	D14/368
5,371,349	A *	12/1994	Kimura	235/492
5,515,515	A *	5/1996	Kennedy et al.	710/302
D371,054	S *	6/1996	Henderson	D7/624.1
D383,732	S *	9/1997	Haley et al.	D14/435
D412,326	S *	7/1999	Gianfagna et al.	D14/435
D416,004	S *	11/1999	Tanimura	D14/368
6,005,774	A *	12/1999	Chiba et al.	361/737
6,059,583	A *	5/2000	Croft et al.	439/131
6,065,076	A *	5/2000	Sorenson	710/72
D432,122	S *	10/2000	Richter	D14/253
6,167,183	A *	12/2000	Swain	385/135
6,217,351	B1 *	4/2001	Fung et al.	439/131
D441,735	S *	5/2001	Katayama	D14/203.7
D445,422	S *	7/2001	Hsin	D14/385
6,297,448	B1 *	10/2001	Hara	174/559
D454,130	S *	3/2002	Do et al.	D14/433
6,567,273	B1 *	5/2003	Liu et al.	361/737
6,665,201	B1 *	12/2003	Spencer et al.	365/1
6,676,420	B1 *	1/2004	Liu et al.	439/131
D486,479	S *	2/2004	Chung	D14/240

(Continued)

Primary Examiner—Susan Moon Lee
(74) *Attorney, Agent, or Firm*—Arnold & Porter LLP

(57) **CLAIM**

The ornamental design for a USB device for facilitating VoIP calls, as shown and described.

DESCRIPTION

FIG. 1 is a top left perspective view of a USB device for facilitating VoIP calls, showing my new design;

FIG. 2 is a top view thereof;

FIG. 3 is a bottom view thereof;

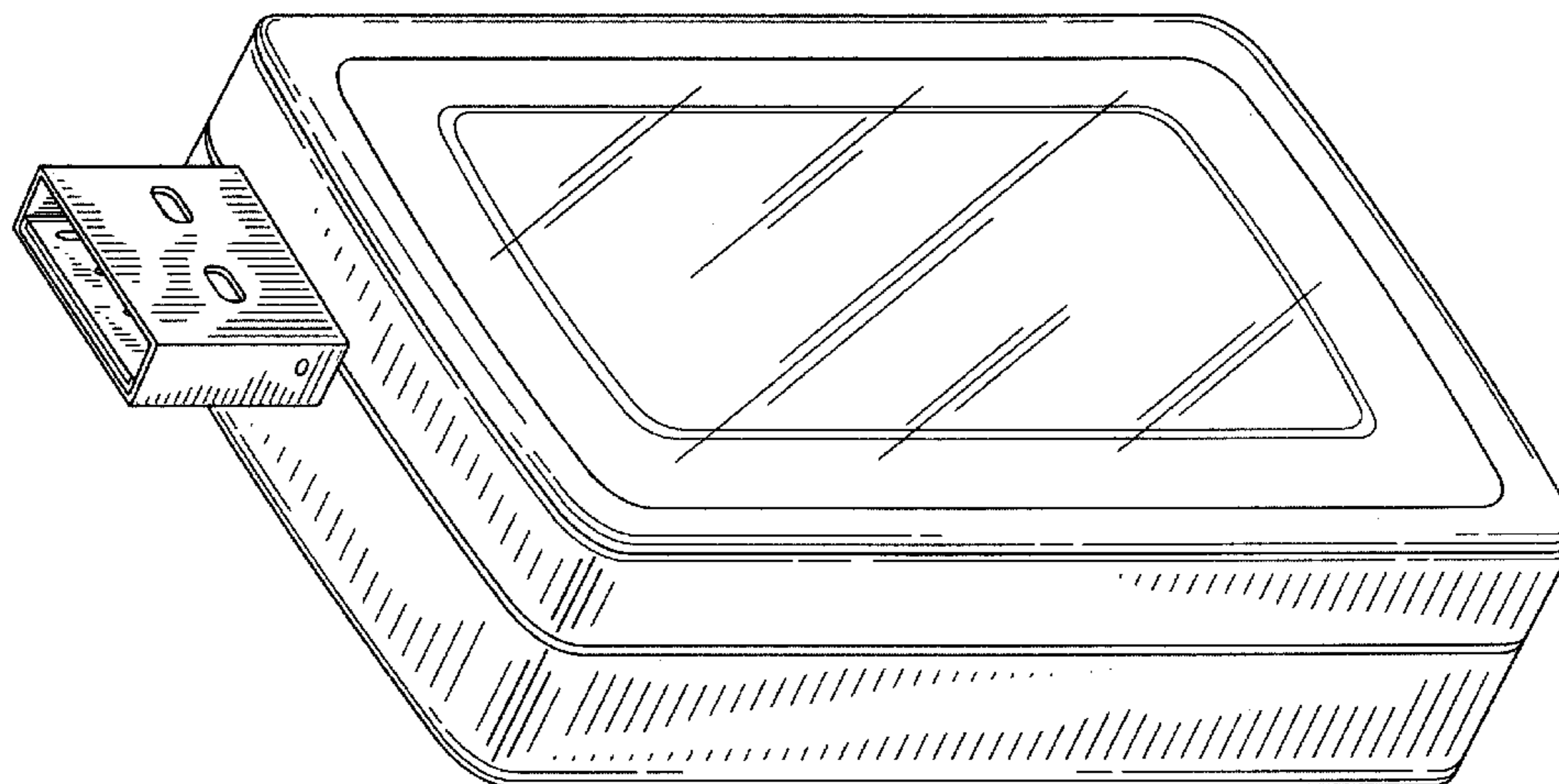
FIG. 4 is a left side view thereof;

FIG. 5 is a right side view thereof;

FIG. 6 is a front view thereof; and,

FIG. 7 is a rear view thereof.

1 Claim, 5 Drawing Sheets



US D603,864 S

Page 2

U.S. PATENT DOCUMENTS

D486,824 S *	2/2004	Chung	D14/356	D558,460 S *	1/2008	Yu et al.	D6/308
D487,086 S *	2/2004	Chung	D14/356	D559,249 S *	1/2008	Takei	D14/356
D487,458 S *	3/2004	Gentil et al.	D14/480.5	7,338,328 B2 *	3/2008	Krieger et al.	439/668
6,705,890 B2 *	3/2004	Kitou et al.	439/528	D565,978 S *	4/2008	Stevens et al.	D10/65
D490,402 S *	5/2004	Jung et al.	D14/240	D569,837 S *	5/2008	Baik et al.	D14/138 G
D491,563 S *	6/2004	Sato et al.	D14/433	D570,844 S *	6/2008	Liu et al.	D14/433
6,772,233 B2 *	8/2004	Iida et al.	710/13	D575,760 S *	8/2008	Kim et al.	D14/138 G
6,804,749 B2 *	10/2004	Chien et al.	711/115	7,407,393 B2 *	8/2008	Ni et al.	439/131
6,808,400 B2 *	10/2004	Tu	439/131	D577,353 S *	9/2008	Kim et al.	D14/138 AD
D502,173 S *	2/2005	Jung et al.	D14/240	D577,703 S *	9/2008	Lee et al.	D14/138 G
6,908,038 B1 *	6/2005	Le	235/492	D577,704 S *	9/2008	Park et al.	D14/138 AD
D511,344 S *	11/2005	Takei	D14/363	D579,930 S *	11/2008	Maskatia	D14/341
D511,770 S *	11/2005	Chung	D14/240	D580,931 S *	11/2008	Chang et al.	D14/356
D514,103 S *	1/2006	Huang et al.	D14/363	7,452,231 B2 *	11/2008	Wan	439/350
D517,065 S *	3/2006	Ko et al.	D14/365	D583,342 S *	12/2008	Kim et al.	D14/138 G
D522,520 S *	6/2006	Hsu	D14/436	D583,345 S *	12/2008	Kim et al.	D14/138 AD
7,104,816 B1 *	9/2006	Wang	439/136	D584,711 S *	1/2009	Kim et al.	D14/138 G
7,121,846 B2 *	10/2006	Katayanagi	439/76.1	D584,738 S *	1/2009	Kim et al.	D14/496
D532,785 S *	11/2006	Lo et al.	D14/363	D587,265 S *	2/2009	Maiers et al.	D14/356
D532,791 S *	11/2006	Kim	D14/203.7	D587,668 S *	3/2009	Bang et al.	D14/138 AD
7,151,673 B2 *	12/2006	Le et al.	361/737	2001/0053634 A1 *	12/2001	Camacho	439/630
D535,281 S *	1/2007	Yang	D14/203.3	2002/0083239 A1 *	6/2002	Iida et al.	710/74
D537,036 S *	2/2007	Chen	D13/133	2003/0045176 A1 *	3/2003	Liu	439/687
D537,088 S *	2/2007	Liu	D14/203.7	2003/0063196 A1 *	4/2003	Palatov et al.	348/211.2
D540,203 S *	4/2007	Jeon	D10/65	2003/0093606 A1 *	5/2003	Mambakkam et al.	710/305
D541,785 S *	5/2007	Hwang et al.	D14/138 G	2005/0107137 A1 *	5/2005	Byun et al.	455/575.1
D543,876 S *	6/2007	Kalis et al.	D10/65	2005/0161513 A1 *	7/2005	Huang et al.	235/492
D543,981 S *	6/2007	Diebel	D14/480.6	2005/0210168 A1 *	9/2005	Chen et al.	710/62
D545,311 S *	6/2007	Wai	D14/356	2006/0208066 A1 *	9/2006	Finn et al.	235/380
D555,158 S *	11/2007	Lo	D14/356	2007/0265031 A1 *	11/2007	Koizumi et al.	455/556.1
D556,211 S *	11/2007	Howard	D14/496	2007/0287512 A1 *	12/2007	Kilpi et al.	455/575.1
					2008/0144270 A1 *	6/2008	Dal Porto et al.	361/684

* cited by examiner

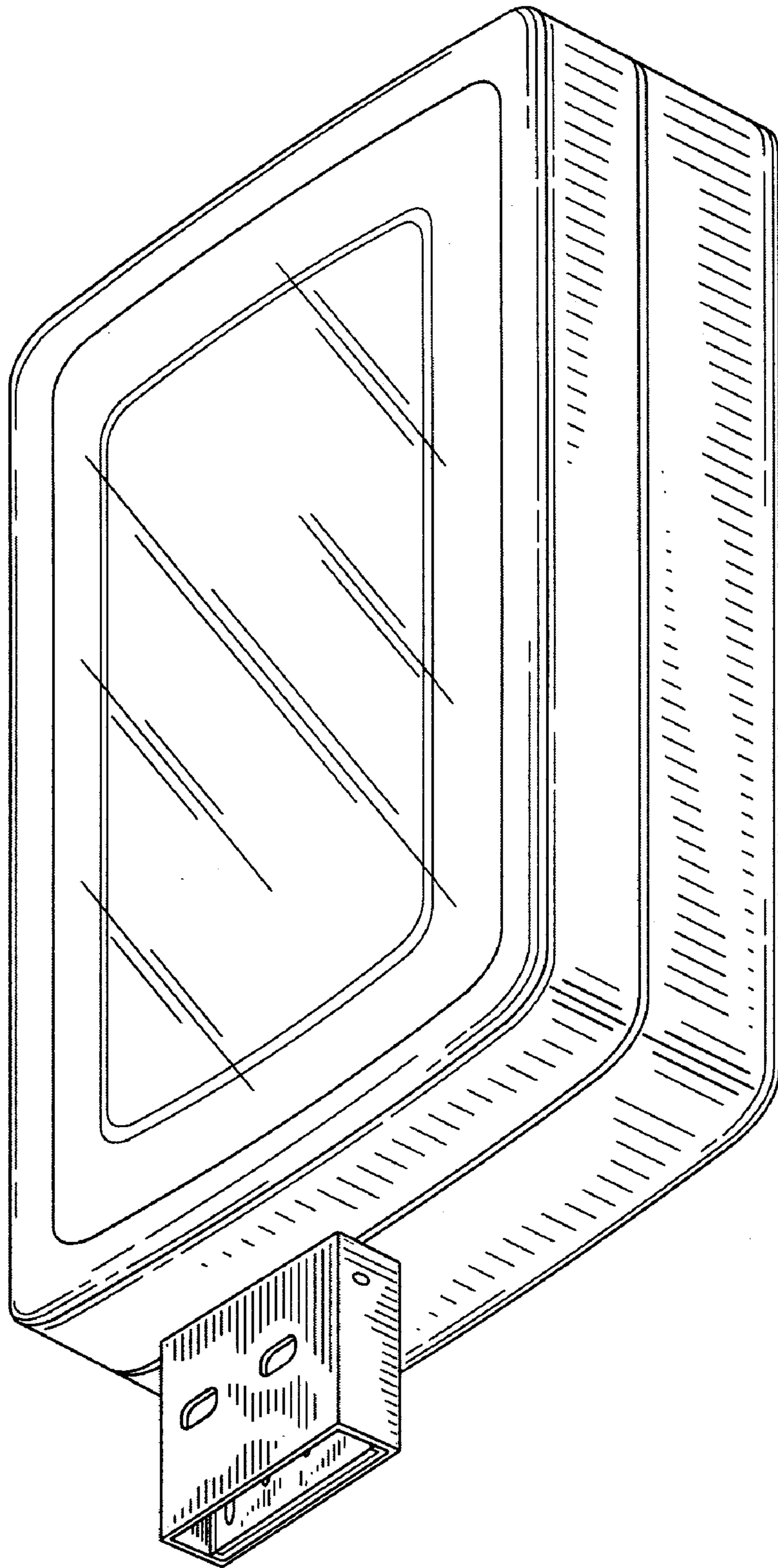


FIG. 1

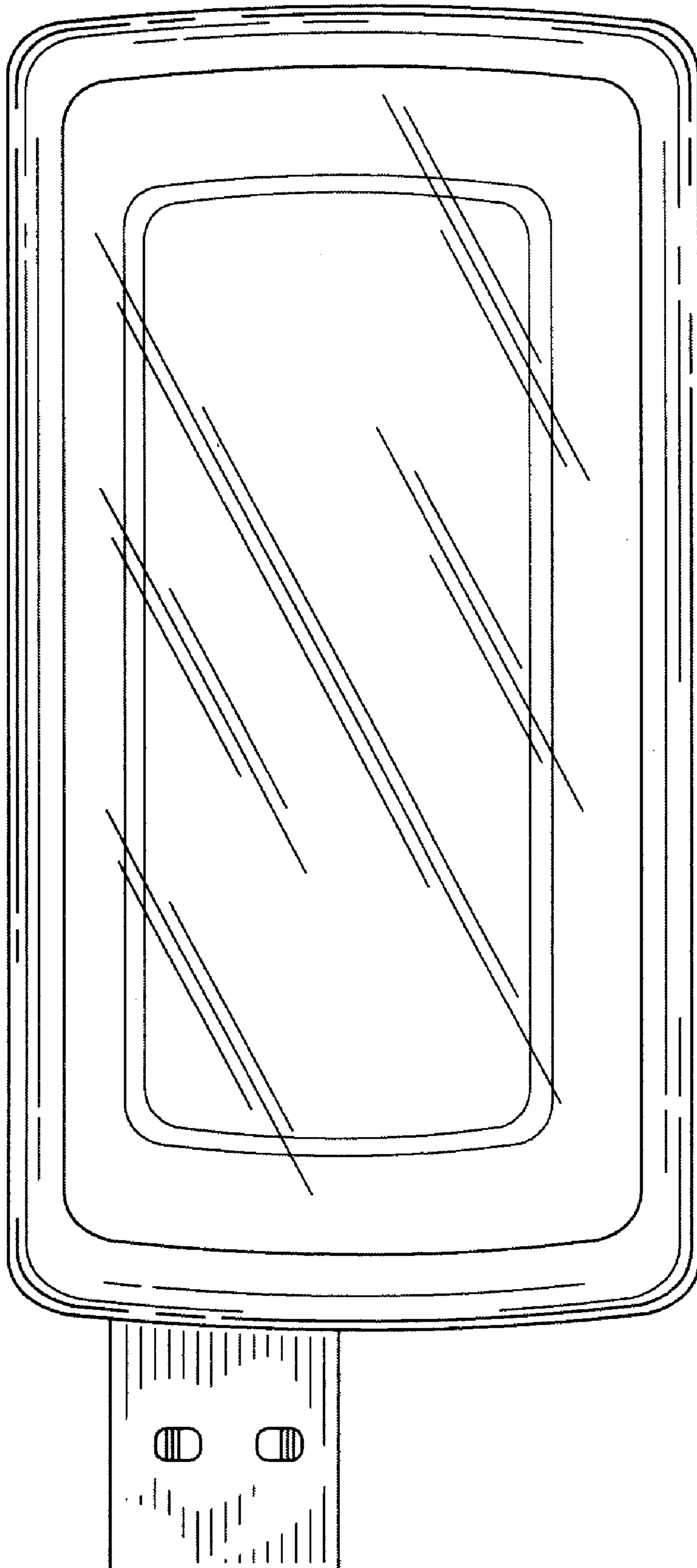


FIG. 2

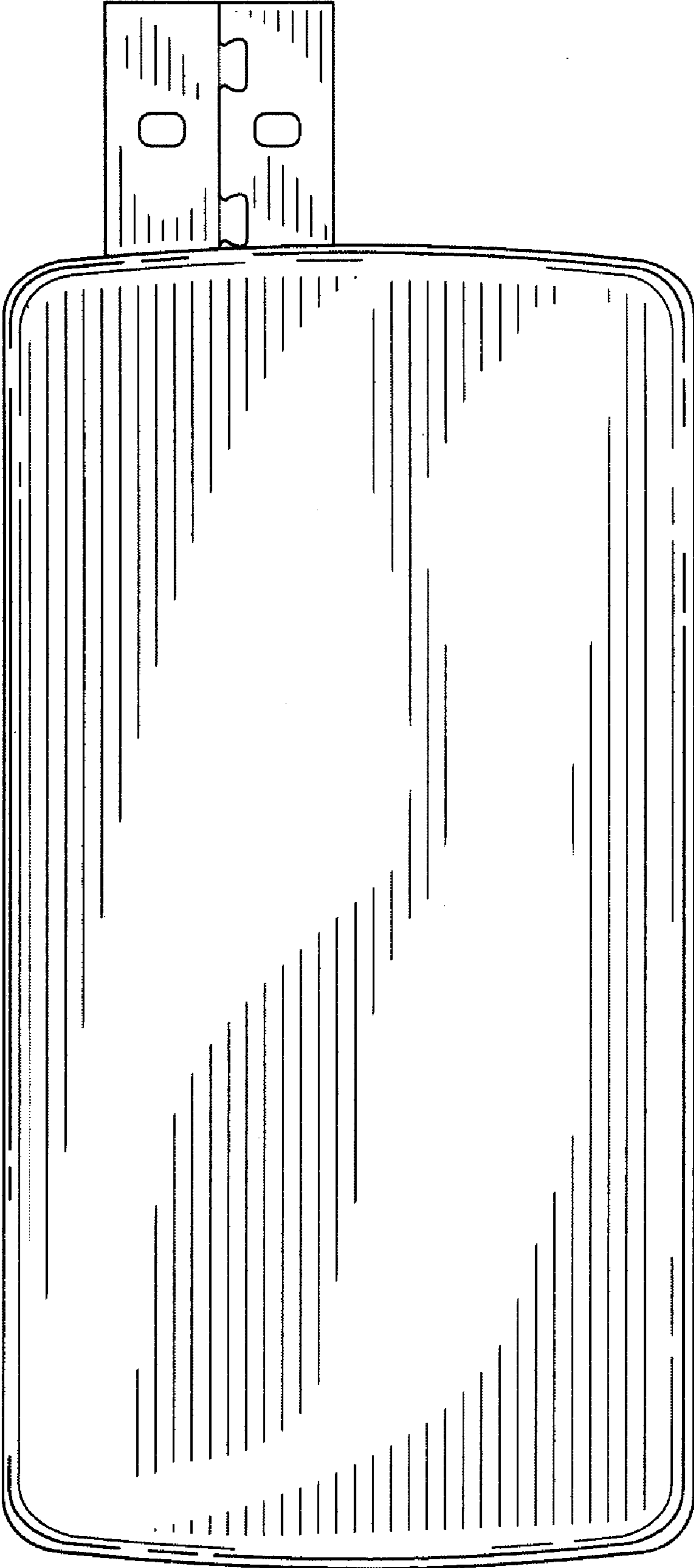


FIG. 3

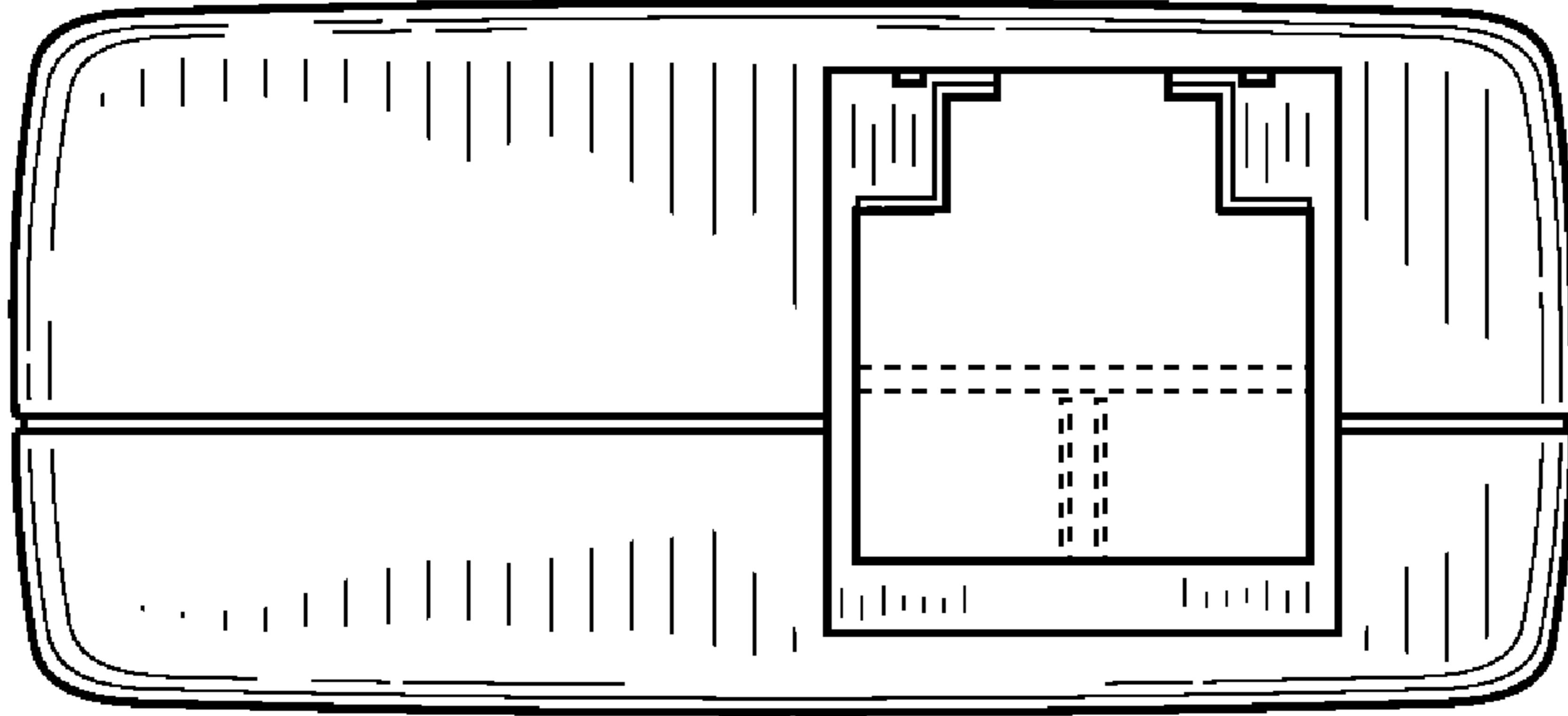


FIG. 5

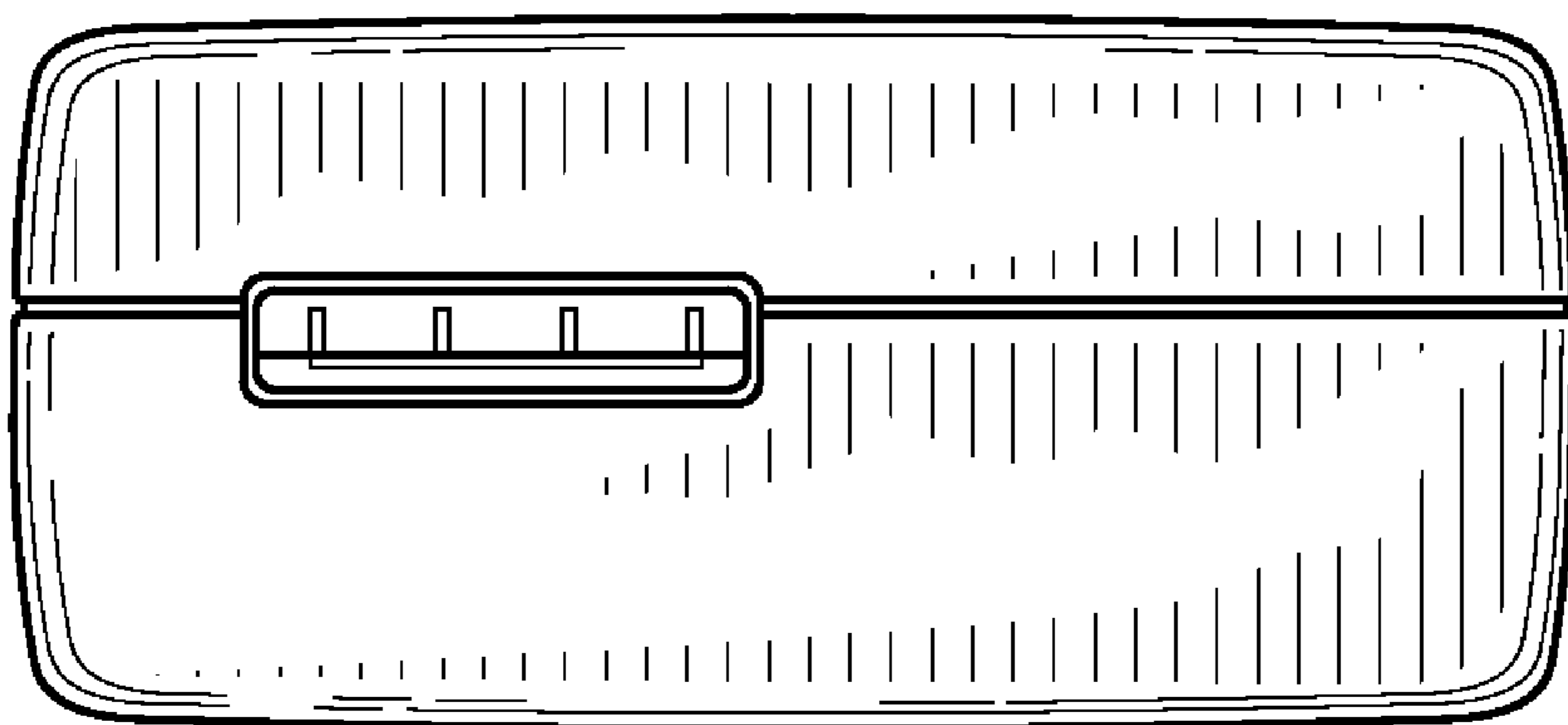


FIG. 4

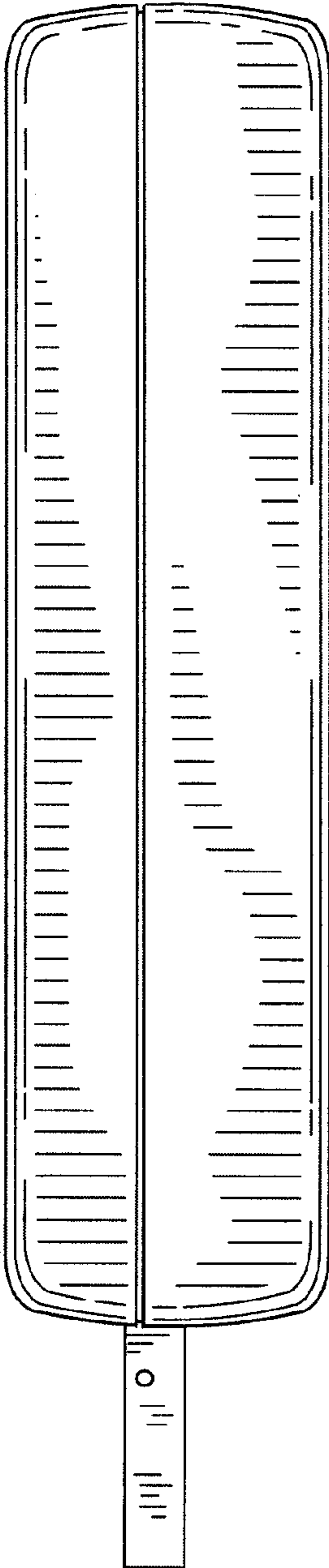


FIG. 6

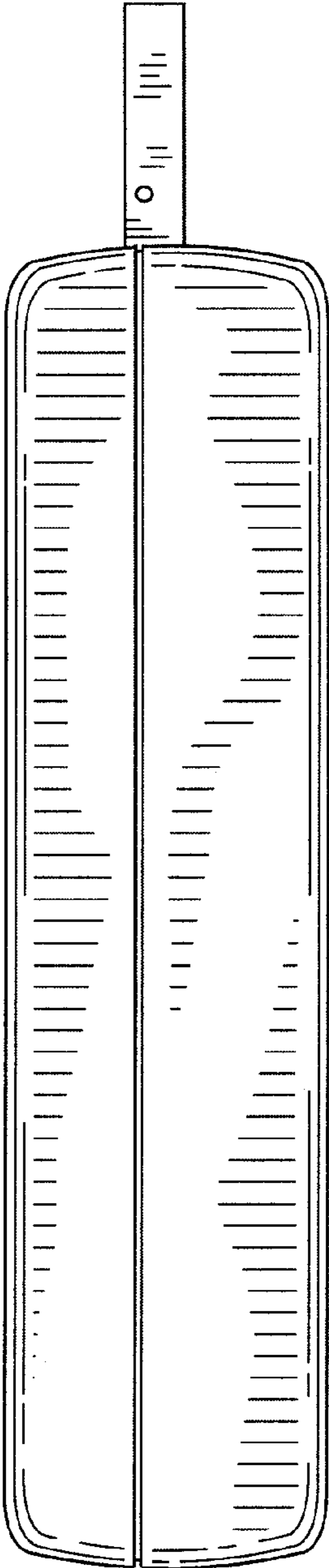


FIG. 7