

US00D603863S

(12) **United States Design Patent**
Sugitani et al.

(10) **Patent No.:** **US D603,863 S**

(45) **Date of Patent:** **** Nov. 10, 2009**

(54) **SCANNER**

(75) Inventors: **Minoru Sugitani**, Kahoku (JP); **Takashi Kondo**, Musashino (JP)

(73) Assignee: **PFU Limited**, Ishikawa (JP)

(**) Term: **14 Years**

(21) Appl. No.: **29/300,045**

(22) Filed: **Feb. 13, 2008**

(51) **LOC (9) Cl.** **14-02**

(52) **U.S. Cl.** **D14/421**

(58) **Field of Classification Search** D14/421-425;
D18/55, 49, 46, 40, 36-39, 41, 44, 45, 47,
D18/48, 50-54, 56; 235/462, 455, 470, 462.43,
235/482, 483; 358/474, 486, 488, 496, 497,
358/498, 452, 449, 451, 453, 1.13; 318/685,
318/696; 355/81, 75; 399/405, 367, 379,
399/380; 382/217; 715/209, 222, 226, 274;
400/613, 613.1-613.4, 690.1-690.4, 691-694

See application file for complete search history.

(56) **References Cited**

U.S. PATENT DOCUMENTS

D197,540 S * 2/1964 Knowles D18/36
D218,991 S * 10/1970 Allport D18/14
3,600,557 A * 8/1971 Zappia 235/470
D234,627 S * 3/1975 Vigna D16/246
4,439,036 A * 3/1984 Davis et al. 355/75
D277,006 S * 1/1985 Takahashi et al. D14/422
D304,181 S * 10/1989 Kagayama et al. D14/424
D311,909 S * 11/1990 Chen D14/420
D315,898 S * 4/1991 Hokura et al. D14/422
D341,617 S * 11/1993 Patterson D16/246

5,301,244 A * 4/1994 Parulski 382/319
D350,769 S * 9/1994 Hattori et al. D18/49
D363,924 S * 11/1995 Ueda et al. D14/422
D366,652 S * 1/1996 Ichinose D14/422
D368,256 S * 3/1996 Stropkay et al. D14/420
D371,120 S * 6/1996 Kono et al. D14/425
5,564,686 A * 10/1996 Horng 271/4.01
D380,204 S * 6/1997 Kogoh et al. D14/425
D383,449 S * 9/1997 Iimura D14/422
D411,186 S * 6/1999 Izaki D14/421
D412,520 S * 8/1999 Krastel et al. D16/246
D415,127 S * 10/1999 Ueda D14/425
D433,439 S * 11/2000 Yoshida et al. D18/36
D514,575 S 2/2006 Sugitani et al.

FOREIGN PATENT DOCUMENTS

JP D1227587 1/2005

* cited by examiner

Primary Examiner—Susan M Lee

(74) *Attorney, Agent, or Firm*—Staas & Halsey LLP

(57) **CLAIM**

The ornamental design for a scanner, as shown and described.

DESCRIPTION

FIG. 1 is a front perspective view of a scanner showing our new design;

FIG. 2 is a front view thereof;

FIG. 3 is a rear view thereof;

FIG. 4 is a right side view thereof;

FIG. 5 is a left side view thereof; and,

FIG. 6 is a top plan view thereof.

1 Claim, 3 Drawing Sheets

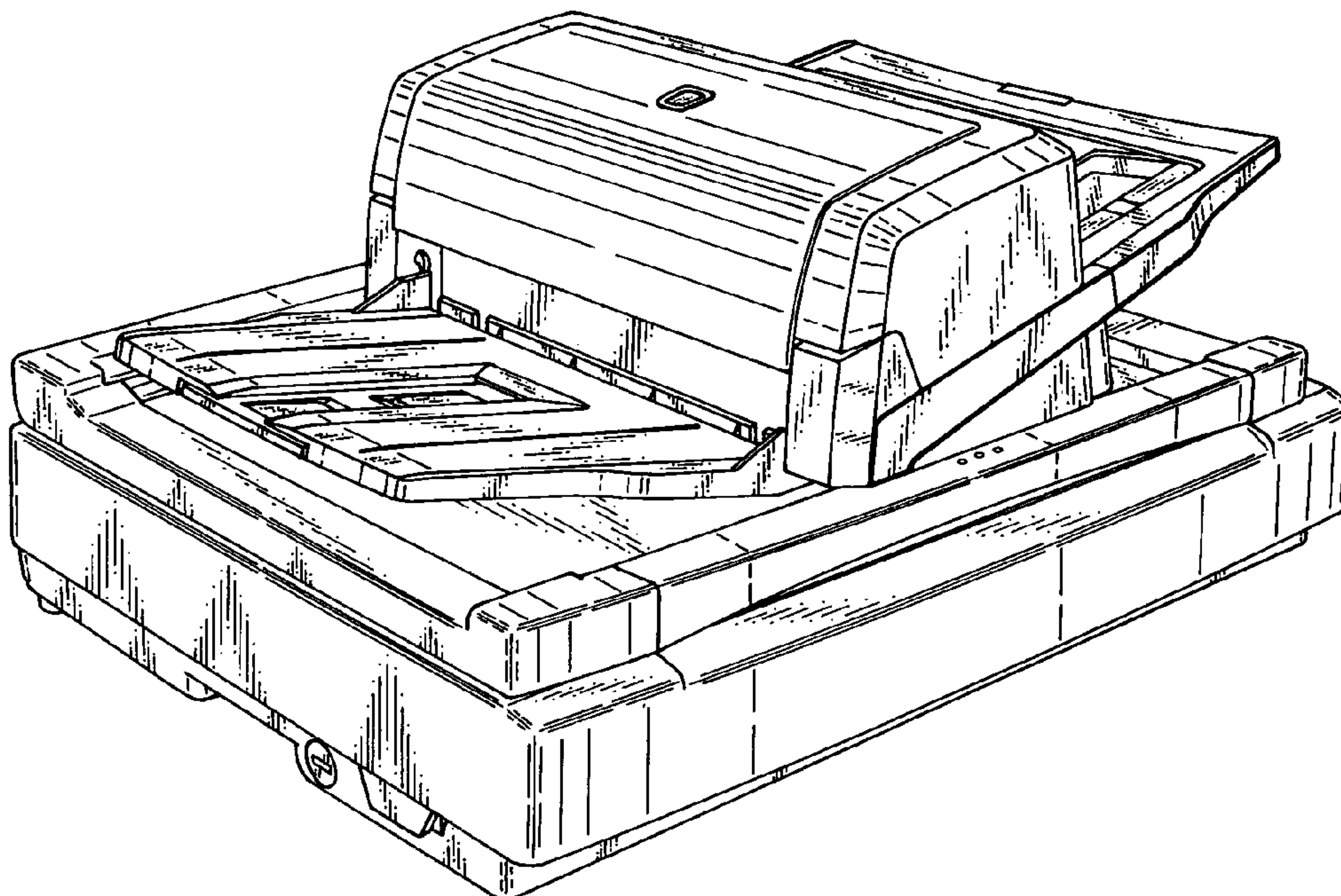


Fig. 1

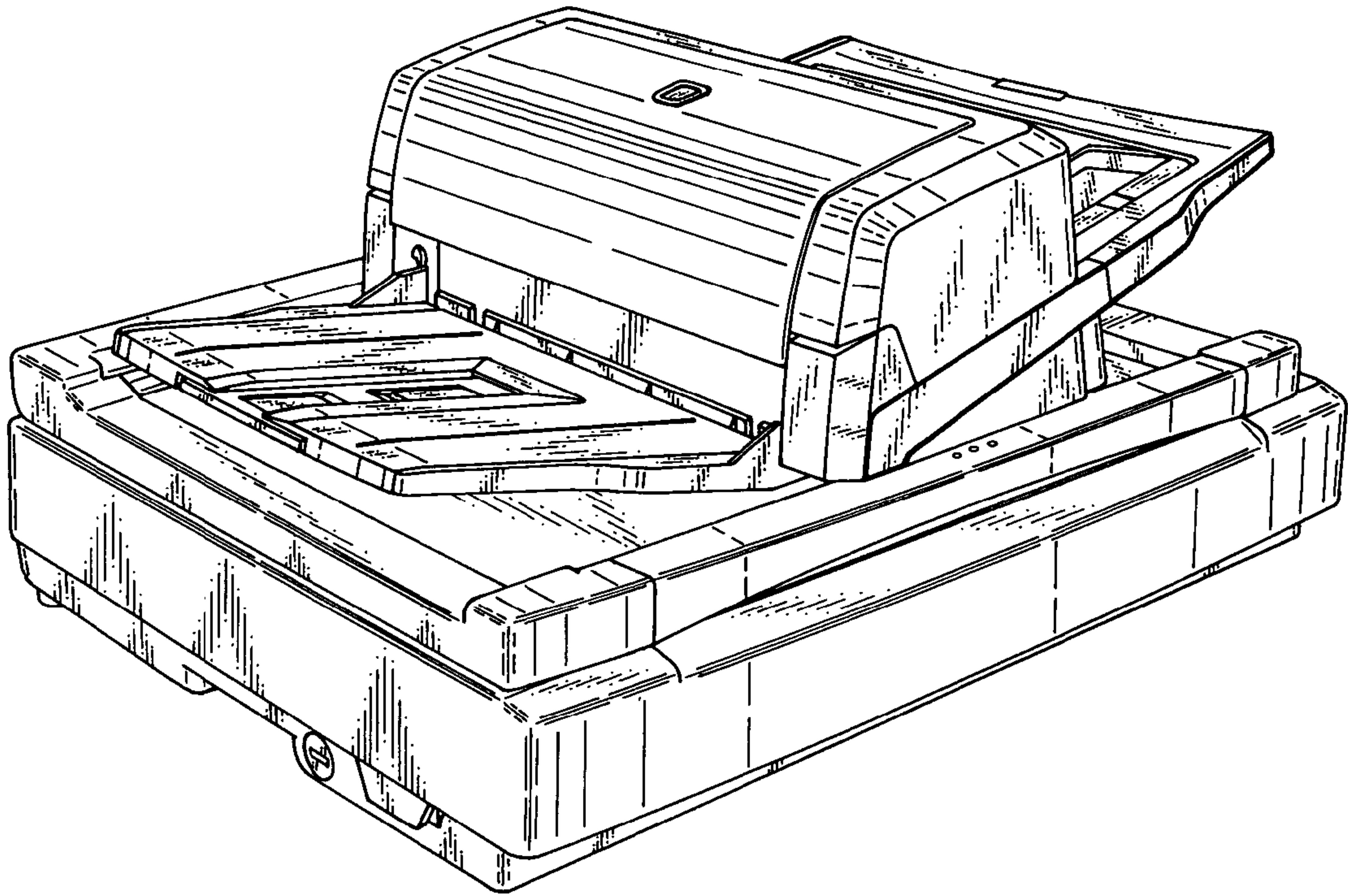


Fig. 2

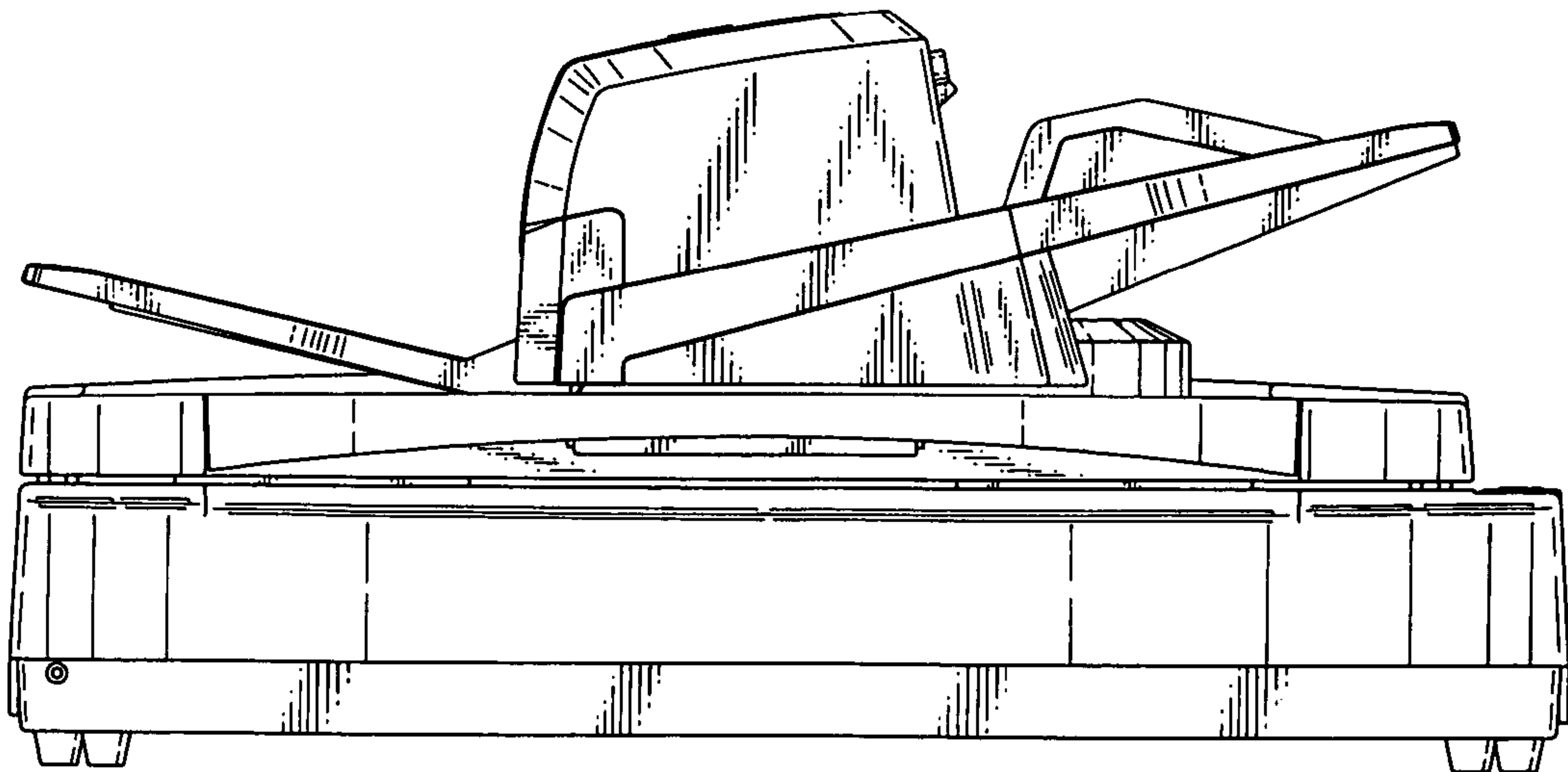


Fig.3

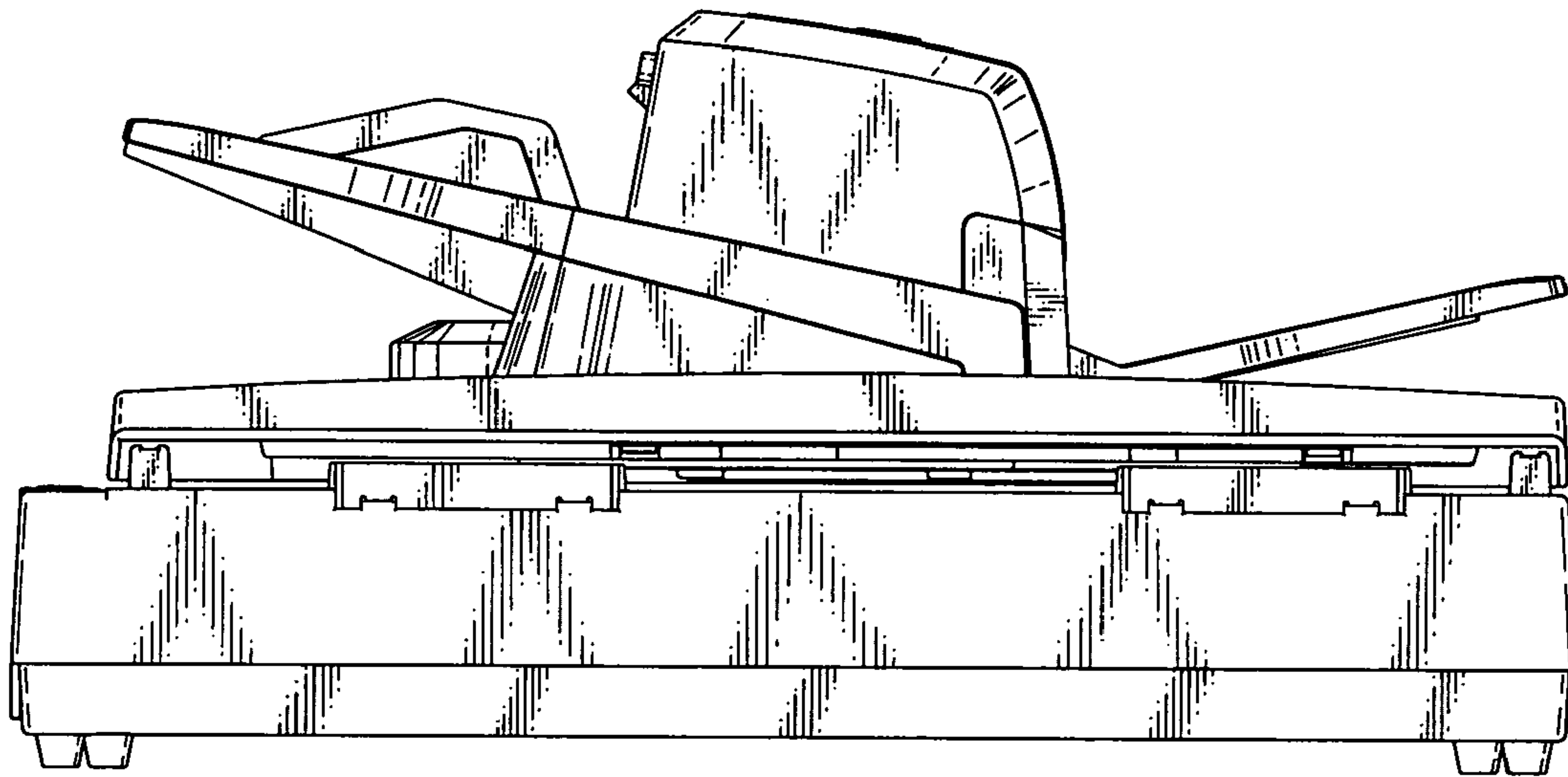


Fig.4

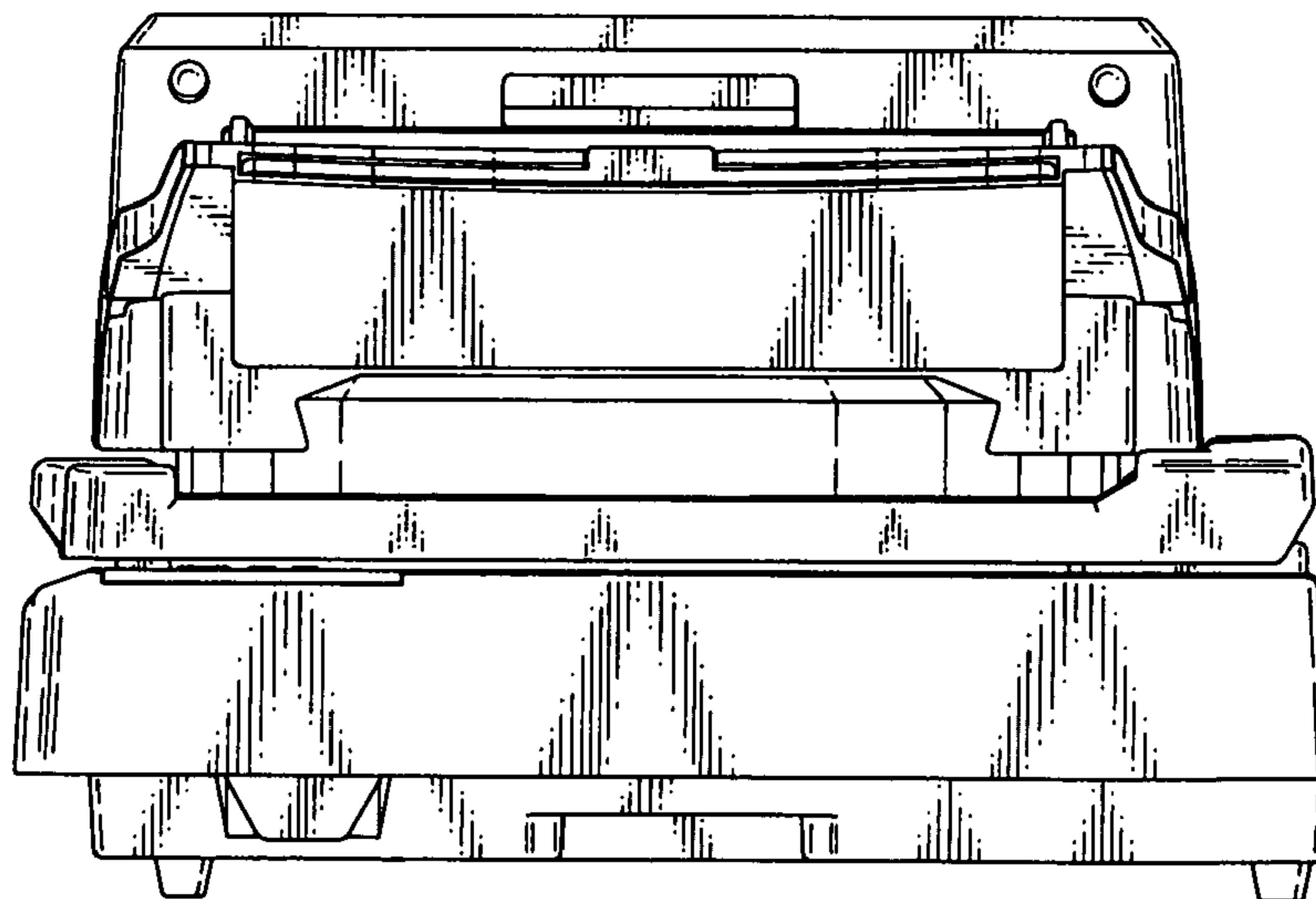


Fig.5

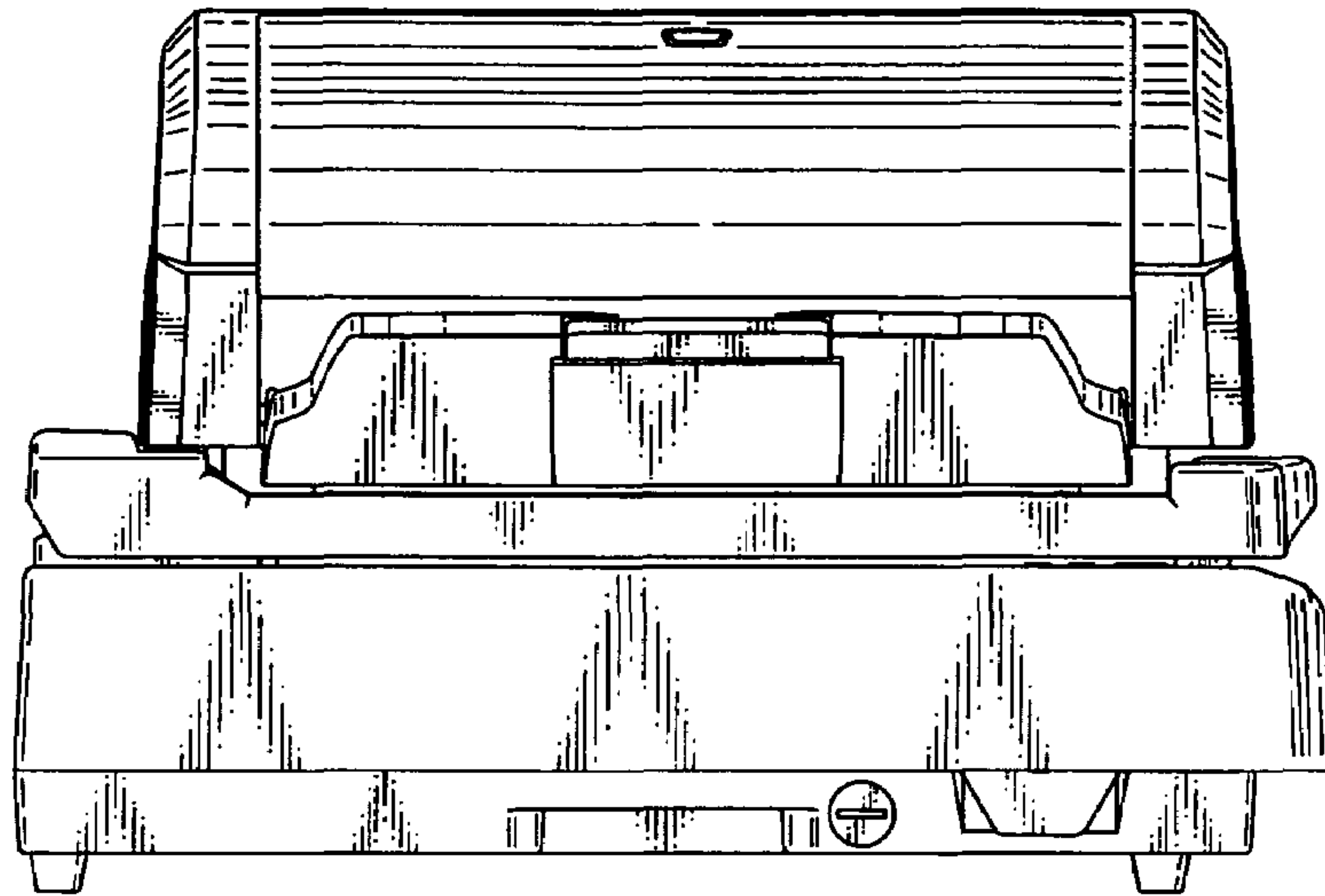


Fig.6

