

US00D603859S

(12) **United States Design Patent**
Webb, II et al.

(10) **Patent No.:** **US D603,859 S**
(45) **Date of Patent:** **** Nov. 10, 2009**

(54) **MOBILE COMMUNICATION DEVICE HOUSING**

2006/0055676 A1* 3/2006 Sohng 345/169
2007/0275773 A1* 11/2007 Joung et al. 455/575.1
2009/0203398 A1* 8/2009 Griffin 455/556.1

(75) Inventors: **William D. Webb, II**, San Francisco, CA (US); **Jesse S. Madsen**, Oakland, CA (US)

OTHER PUBLICATIONS

Motorola Sidekick Slide, announced Sep. 2007, [online], [retrieved on May 14, 2008]. Retrieved from Internet ,<URL: <http://www.gsmarena.com>>.*

(73) Assignee: **T-Mobile USA, Inc.**, Bellevue, WA (US)

T-Mobile Sidekick 3, announced Jun. 2006, [online], [retrieved on Nov. 18, 2008]. Retrieved from Internet ,<URL: <http://www.gsmarena.com>>.*

(**) Term: **14 Years**

T-Mobile Sidekick Slide, announced Sep. 2007, [online], [retrieved on Nov. 18, 2008]. Retrieved from Internet ,<URL: <http://www.gsmarena.com>>.*

(21) Appl. No.: **29/334,270**

T-Mobile Sidekick LX 2009, announced Apr. 2009, [online], [retrieved on May 1, 2009]. Retrieved from Internet ,<URL: <http://www.gsmarena.com>>.*

(22) Filed: **Mar. 23, 2009**

(51) **LOC (9) Cl.** **14-03**

(52) **U.S. Cl.** **D14/248**

(58) **Field of Classification Search** D14/138 R, D14/138 AD, 138 AC, 138 C, 138 G, 191, D14/203.1–203.8, 496, 138 AA, 138 AB, D14/247–248, 137, 147, 218, 341–347; D10/65, D10/78, 104; D13/168; D18/7; 455/566, 455/575.1, 575.3

* cited by examiner

Primary Examiner—Jeffrey D Asch

Assistant Examiner—Bridget L Eland

(74) *Attorney, Agent, or Firm*—Perkins Coie LLP

See application file for complete search history.

(57) **CLAIM**

The ornamental design for an mobile communication device housing, as shown and described.

(56) **References Cited**

U.S. PATENT DOCUMENTS

D338,727 S * 8/1993 Rand et al. D24/121
D430,128 S * 8/2000 Hino et al. D14/138 AD
D445,409 S * 7/2001 Segers D14/138 AD
D477,596 S * 7/2003 Hayes D14/343
D511,529 S * 11/2005 Sassano D14/203.3
D525,610 S * 7/2006 Kim et al. D14/138 AD
D533,532 S * 12/2006 Kim et al. D14/138 AC
7,269,450 B2 * 9/2007 Lee et al. 455/575.1
D579,905 S * 11/2008 Kim et al. D14/138 AD
2002/0016191 A1* 2/2002 Ijas et al. 455/575
2005/0090298 A1* 4/2005 Park et al. 455/575.4
2005/0245295 A1* 11/2005 Lee et al. 455/575.1

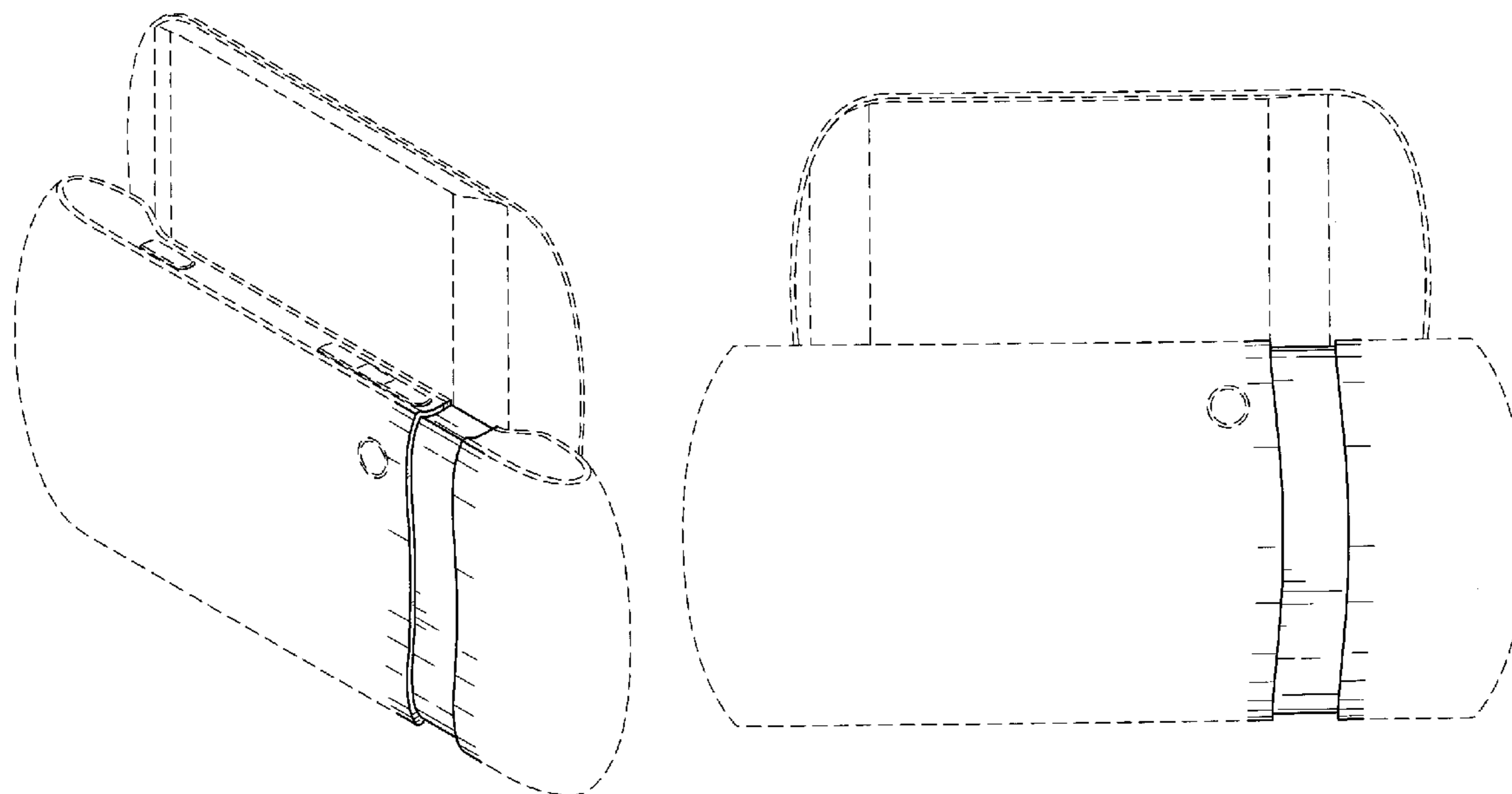
DESCRIPTION

FIG. 1 is a back perspective view of a mobile communication device housing showing our design; and,

FIG. 2 is a back view thereof.

The broken lines immediately adjacent the shaded areas represent the bounds of the claimed design while all other broken lines are directed to environment and are for illustrative purposes only; the broken lines form no part of the claimed design.

1 Claim, 1 Drawing Sheet



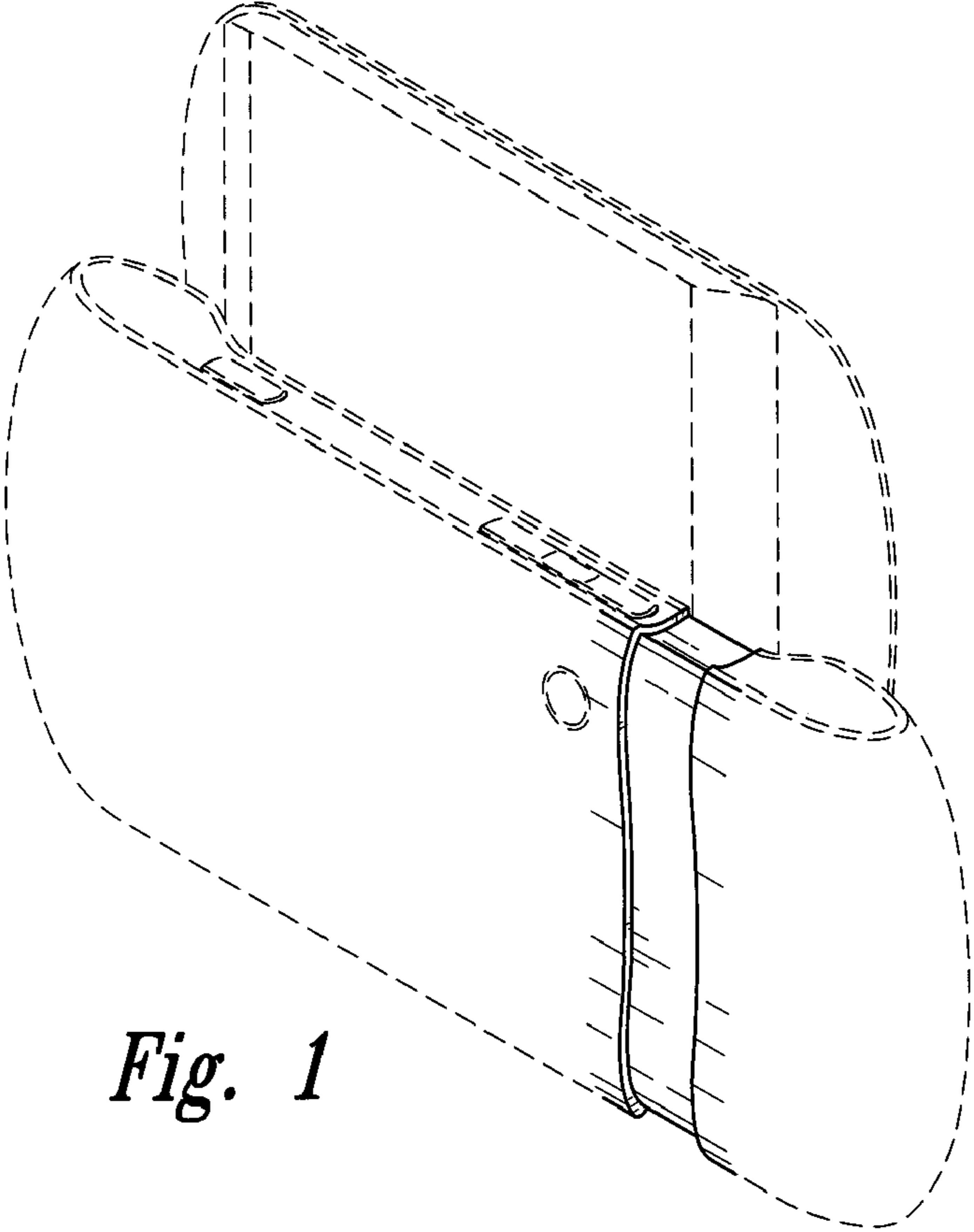


Fig. 1

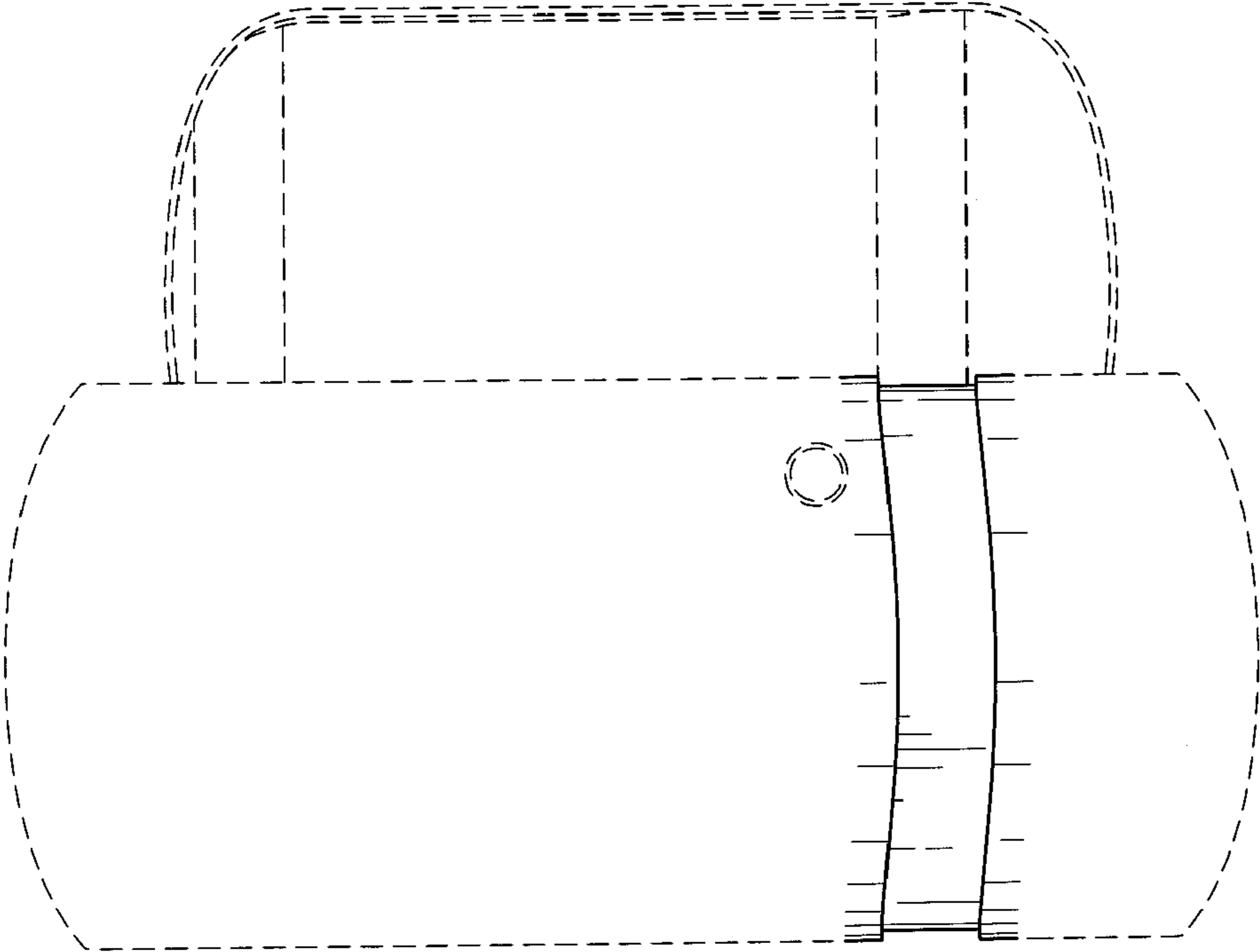


Fig. 2