



US00D603856S

(12) **United States Design Patent**
Nuovo et al.

(10) **Patent No.:** **US D603,856 S**

(45) **Date of Patent:** **** Nov. 10, 2009**

(54) **SET OF SIDEWALLS OF A HANDSET**

(75) Inventors: **Frank Nuovo**, Los Angeles, CA (US);
Jonathan Dry, Newbury Park, CA (US)

(73) Assignee: **Nokia Corporation**, Espoo (FI)

(**) Term: **14 Years**

(21) Appl. No.: **29/305,983**

(22) Filed: **Mar. 31, 2008**

(51) **LOC (9) Cl.** **14-03**

(52) **U.S. Cl.** **D14/248**

(58) **Field of Classification Search** D14/137,
D14/138 R, 138 AA, 138 AB, 138 AD, 138 C,
D14/138 G, 143-144, 147-148, 156, 218,
D14/247-248, 341-347, 390, 399, 455-456,
D14/496; D16/208; D21/329, 331, 333,
D21/517; 348/14.01-14.02; 361/814; 379/433.01-433.13;
455/90.3, 556.1-556.2, 566, 575.1, 575.3,
455/575.4; D13/164, 168, 103, 119; 439/165;
343/702; 345/167, 168, 169

See application file for complete search history.

(56) **References Cited**

U.S. PATENT DOCUMENTS

D490,064 S * 5/2004 Yi D14/137

(Continued)

FOREIGN PATENT DOCUMENTS

WO DM/066599 * 4/2005
WO DM/069695 * 12/2007
WO DM/071193 * 9/2008

OTHER PUBLICATIONS

Vertu Ascent Ti Damascus Steel , announced Jun. 2009, <URL:http://
www.gsmarena.com/vertu_ascent_ti_damascus_steel-pictures-
2822.php>, retrieved from internet Aug. 10, 2009.*

(Continued)

Primary Examiner—Jeffrey D Asch
Assistant Examiner—Carla Jobe Wright

(74) *Attorney, Agent, or Firm*—Banner & Witcoff, Ltd.

(57) **CLAIM**

The ornamental design for a set of sidewalls of a handset, as shown and described.

DESCRIPTION

FIG. 1 is a front perspective view of a first embodiment of a set of sidewalls of a handset showing our new design;

FIG. 2 is a rear perspective view thereof;

FIG. 3 is a front view thereof;

FIG. 4 is a right side view thereof;

FIG. 5 is a left side view thereof;

FIG. 6 is a top view thereof;

FIG. 7 is a bottom view thereof;

FIG. 8 is a rear view thereof;

FIG. 9 is a front perspective view of a second embodiment of a set of sidewalls of a handset showing my new design;

FIG. 10 is a rear perspective view thereof;

FIG. 11 is a front view thereof;

FIG. 12 is a right side view thereof;

FIG. 13 is a left side view thereof;

FIG. 14 is a top view thereof;

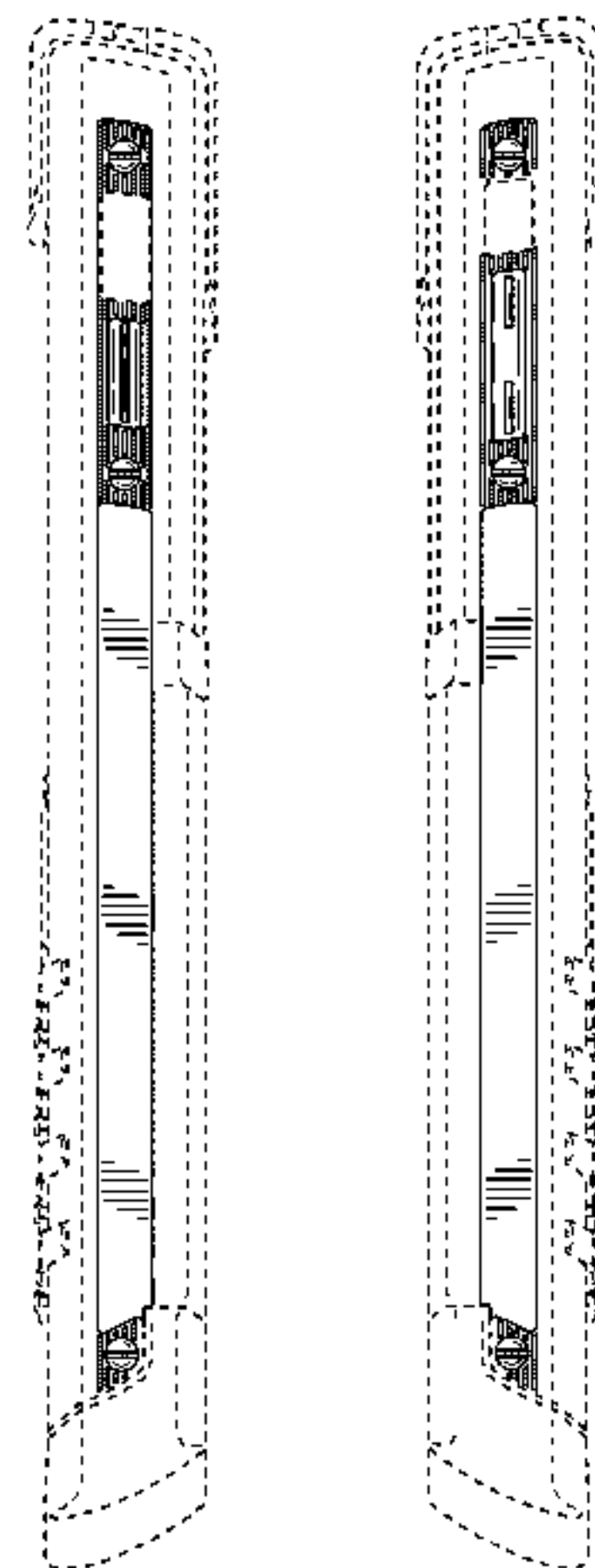
FIG. 15 is a bottom view thereof; and,

FIG. 16 is a rear view thereof.

The broken lines in that define the unshaded small rounded-corner rectangle near the top of the right sidewall, shown in FIGS. 1, 4, 9, and 12, forms a boundary of the claimed design. All other broken lines are directed to environment and are for illustrative purposes only. The broken lines, and unshaded regions bounded by broken lines, form no part of the claimed design.

The stippled shading shown on the sidewalls in drawing FIGS. 9-10 and 12-13 represents a textured surface.

1 Claim, 12 Drawing Sheets



U.S. PATENT DOCUMENTS

D492,659 S * 7/2004 Medeiros et al. D14/138 AA
 D499,709 S * 12/2004 Nuovo et al. D14/138 AA
 D523,836 S * 6/2006 Park D14/138 AA
 D531,177 S * 10/2006 Okanoya et al. D14/346
 D543,967 S * 6/2007 Peng D14/138 AA
 D545,804 S * 7/2007 Lee D14/138 AA
 D546,810 S * 7/2007 Kwak D14/138 AA
 D548,218 S * 8/2007 Hong et al. D14/138 AA
 D552,068 S * 10/2007 Kim et al. D14/138 AA
 D555,142 S * 11/2007 Kim et al. D14/138 AA
 D557,246 S * 12/2007 Kim et al. D14/138 AA
 D560,641 S * 1/2008 Jung et al. D14/138 AA
 D560,646 S * 1/2008 Yun et al. D14/138 AA
 D561,723 S * 2/2008 Kim et al. D14/138 AA
 D562,313 S * 2/2008 Tan et al. D14/248
 D565,000 S * 3/2008 Pitt D14/138 AA
 D568,849 S 5/2008 Nuovo
 D570,347 S * 6/2008 Kataoka et al. D14/341
 D572,697 S * 7/2008 Lee et al. D14/138 AA
 D573,576 S * 7/2008 Kim et al. D14/138 AA
 D573,972 S * 7/2008 Lee et al. D14/138 AA

D576,988 S * 9/2008 Kim et al. D14/138 AA
 D583,343 S * 12/2008 Lee et al. D14/138 AA
 D585,414 S * 1/2009 Kim et al. D14/138 AA
 D594,859 S * 6/2009 Shi D14/248
 2005/0285019 A1* 12/2005 Chen 250/214 VT

OTHER PUBLICATIONS

Vertu Signature S, announced 2007, <URL:http://www.gsmarena.com/vertu_signature_s-2753.php>, retrieved from internet Aug. 14, 2009, <URL:http://www.gsmarena.com/vertu_signature_s-pictures-2753.php>, retrieved from internet Aug. 14, 2009.*
 Vertu's Signature S Design is real, hits FCC, posted Sep. 12, 2008, <URL:http://www.engadgetmobile.com/2008/09/12/vertus-3g-signature-is-real-hits-fcc/>, retrieved from internet Aug. 14, 2009.*
 Vertu Signature S Design Specification, announced Sep. 15, 2008, <URL:http://www.gsmprofile.com/phone/vertu/vertu_signature_s_design.php>, retrieved from internet Aug. 14, 2009.*
 Vertu Signature, 1 color sheet of photographs, disclosed on or about 2006.

* cited by examiner

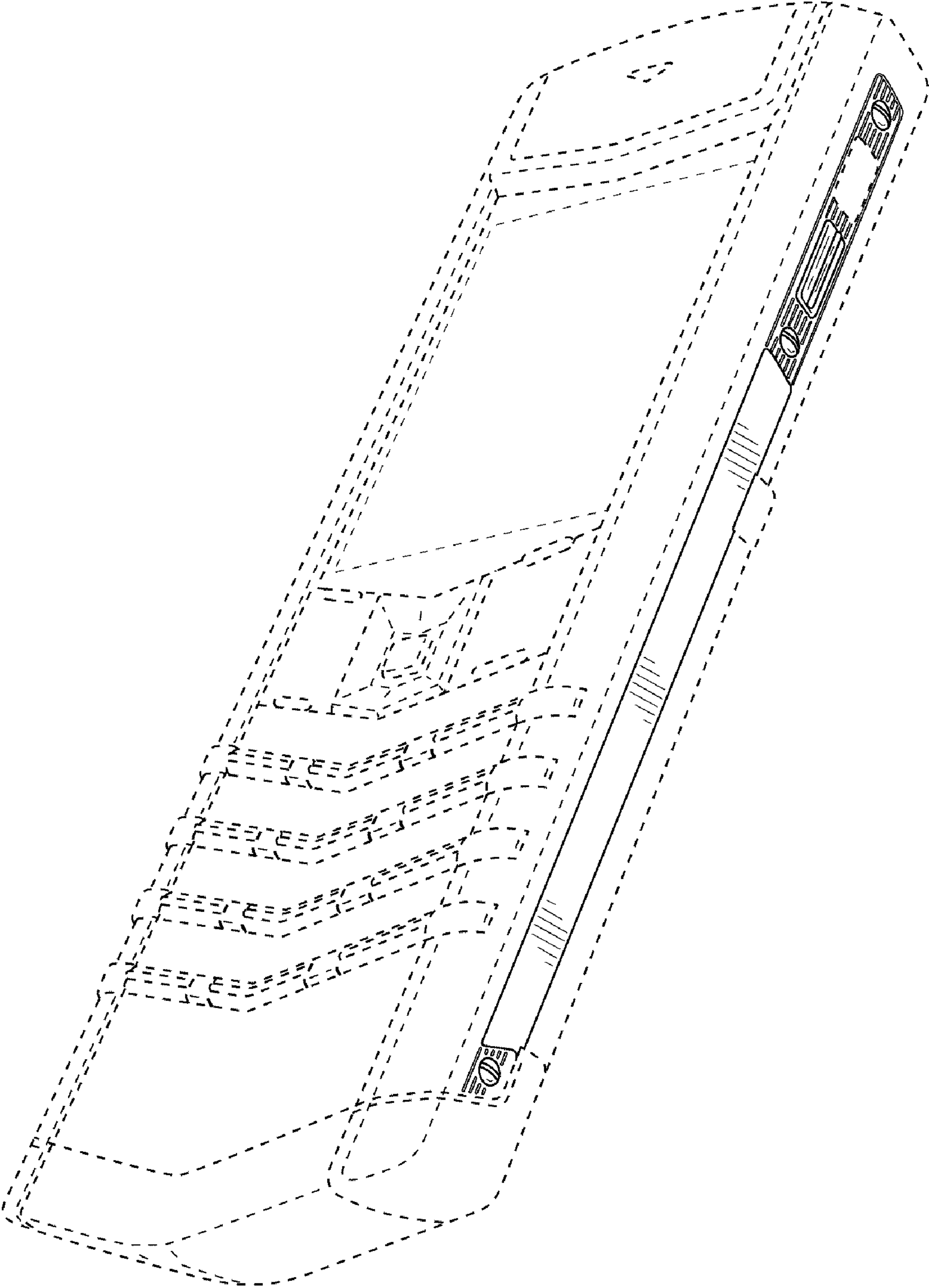


FIG. 1

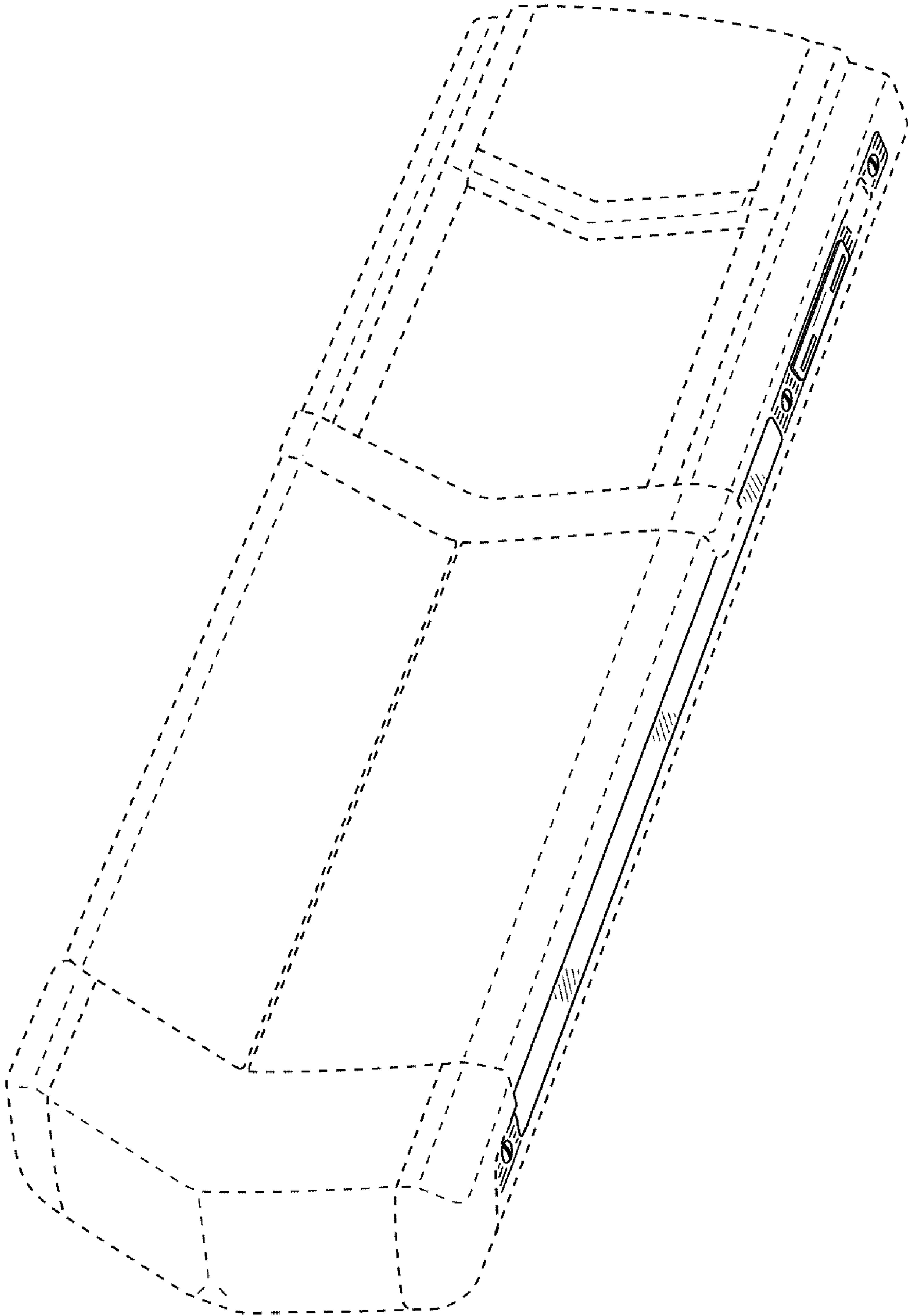


FIG. 2

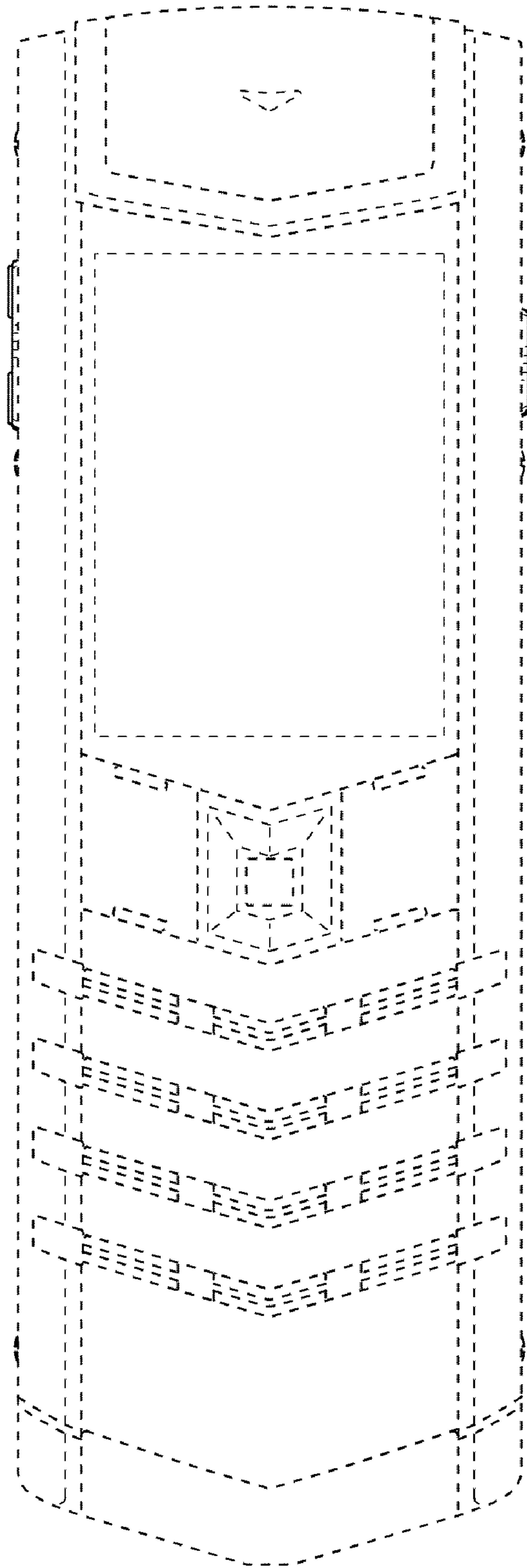


FIG. 3

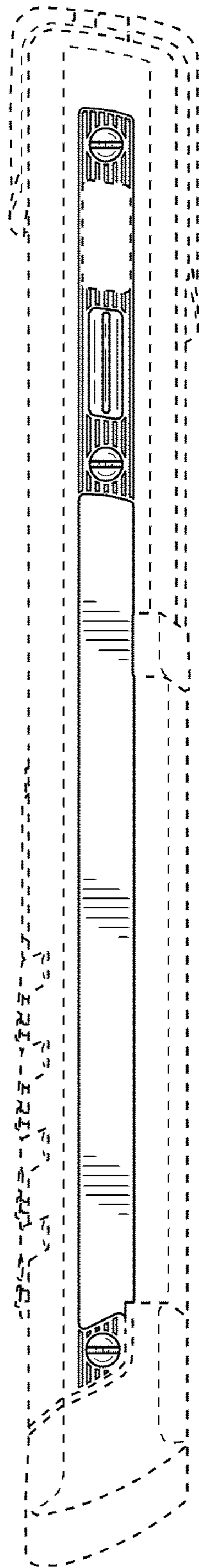


FIG. 4

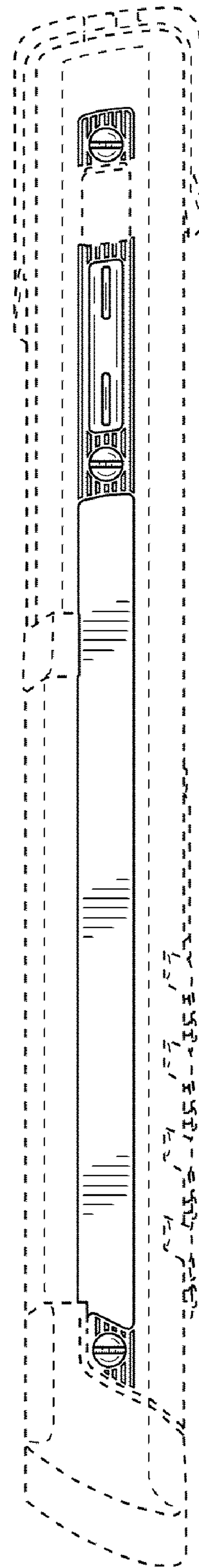


FIG. 5

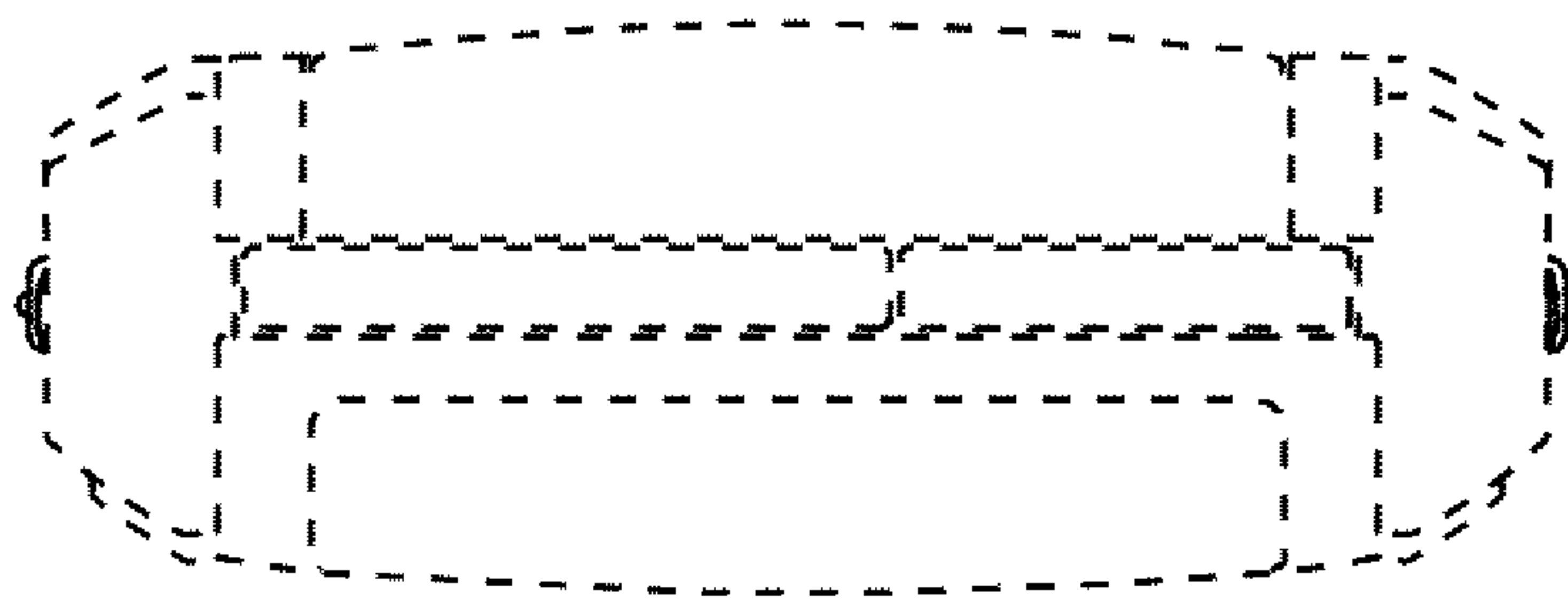


FIG. 6

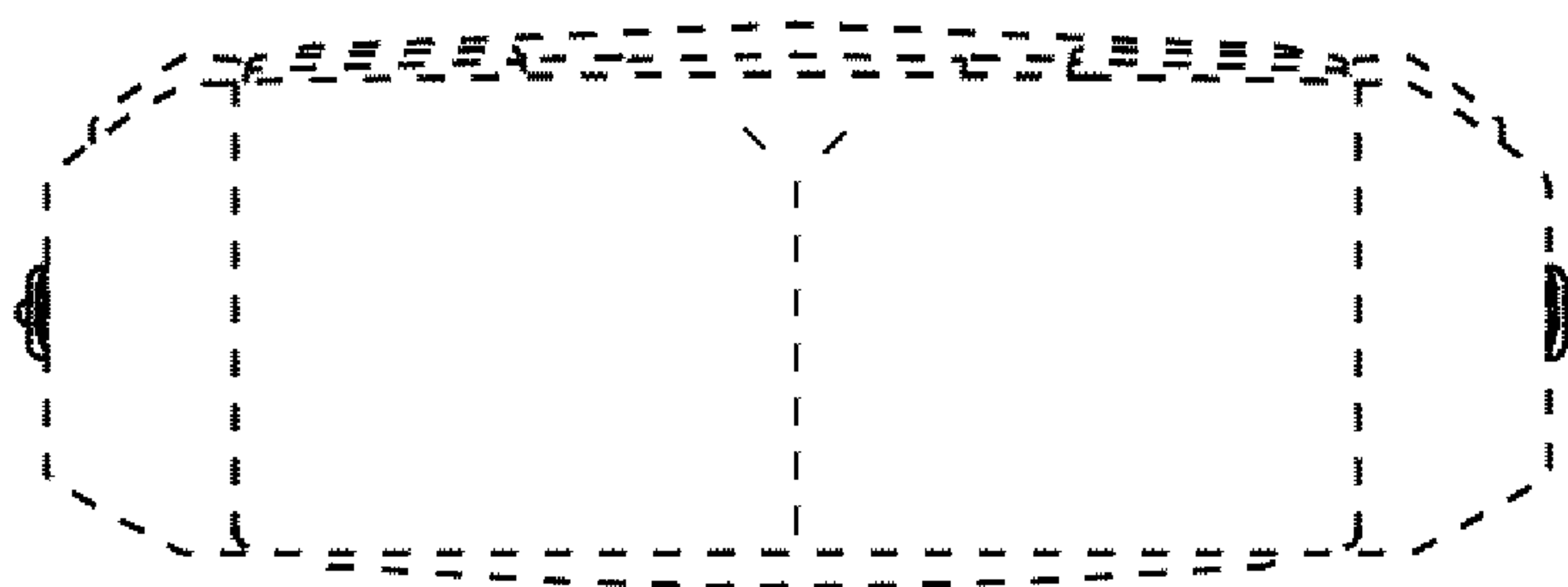


FIG. 7

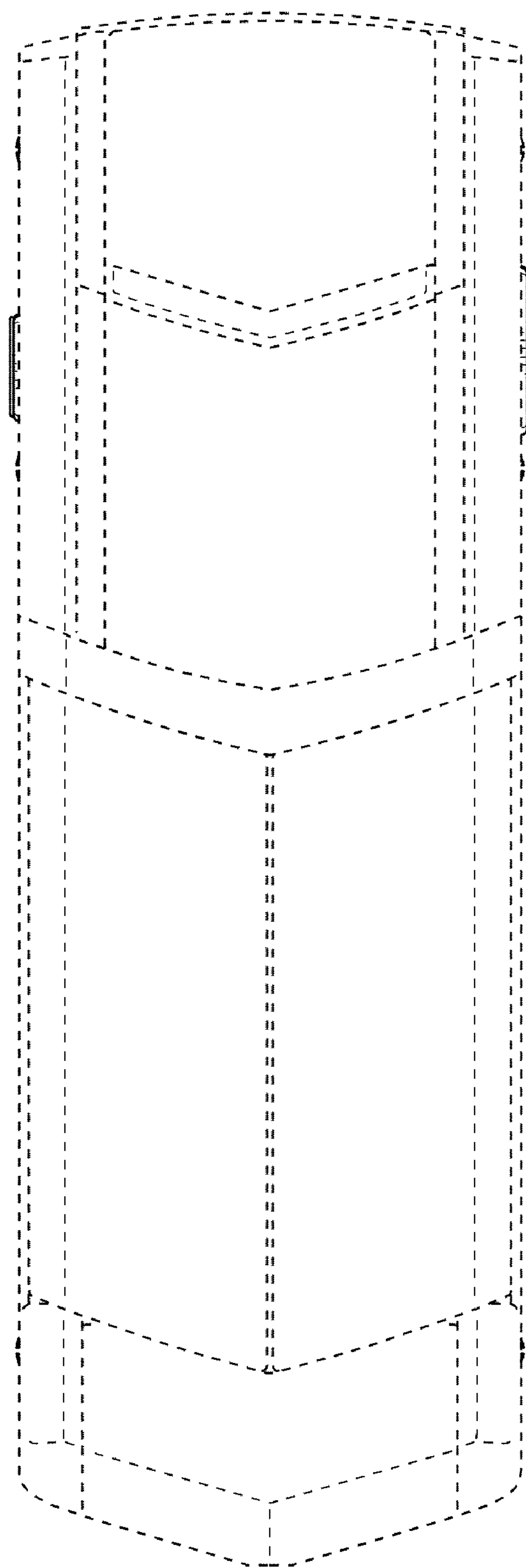


FIG. 8

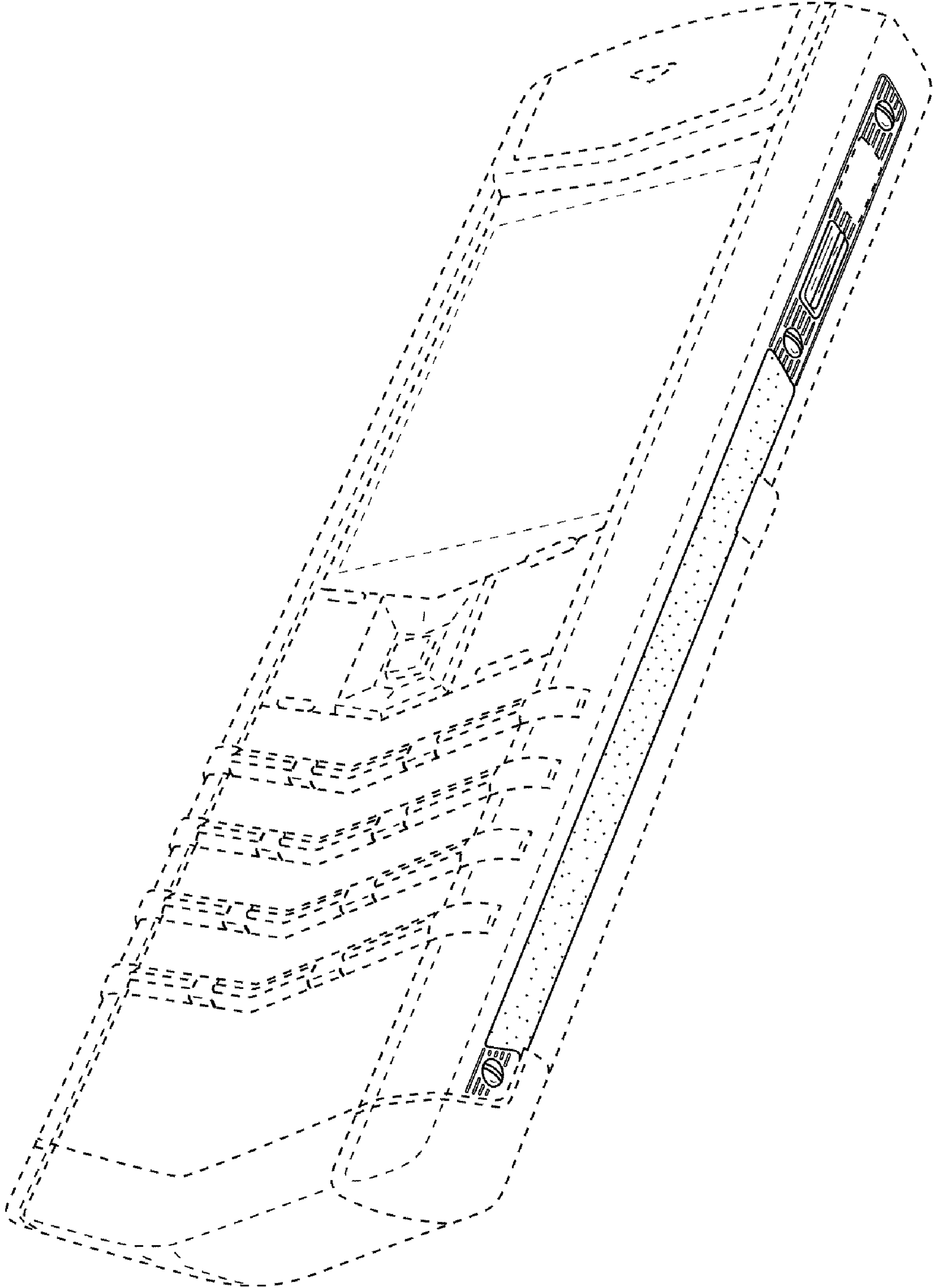


FIG. 9

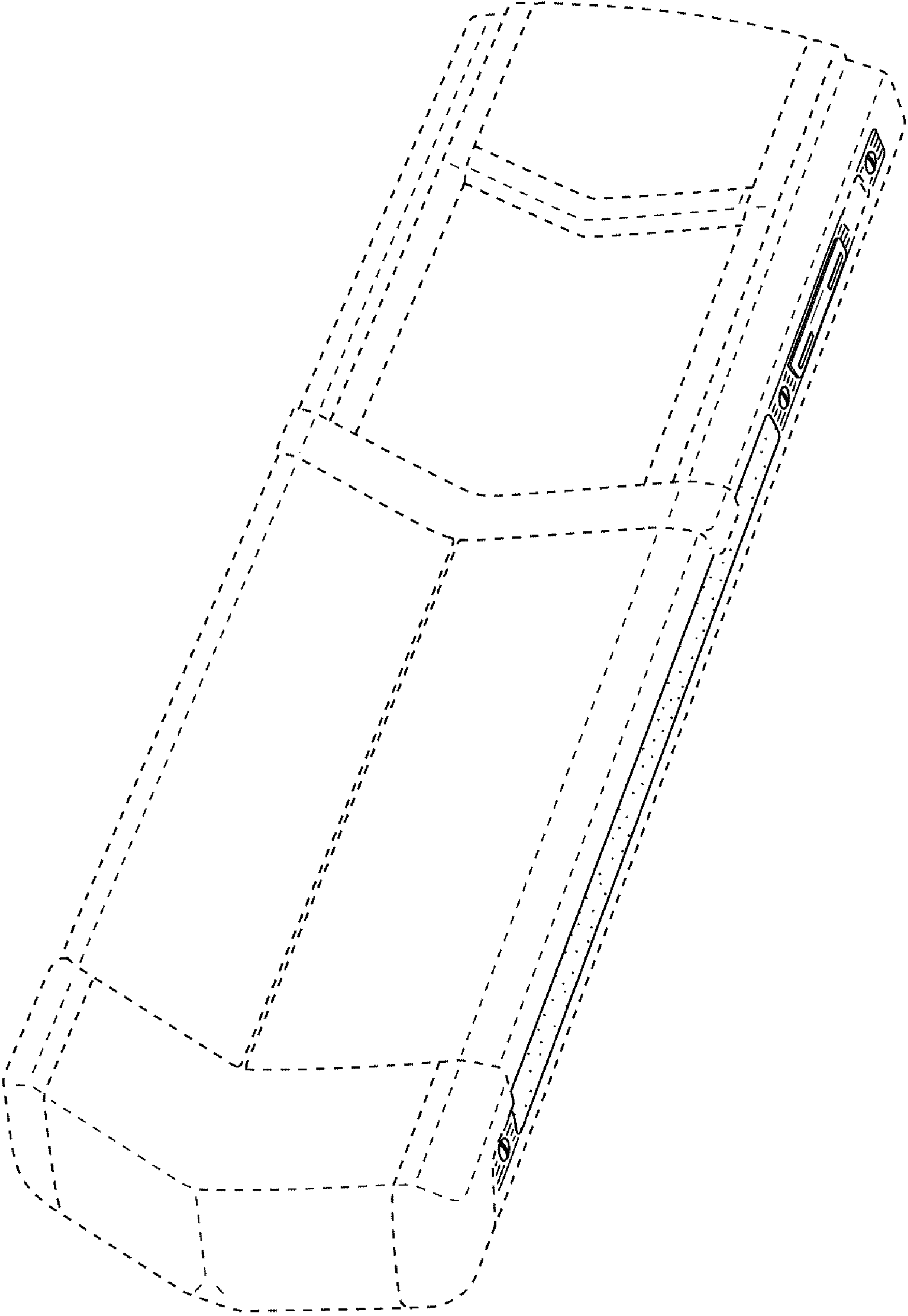


FIG. 10

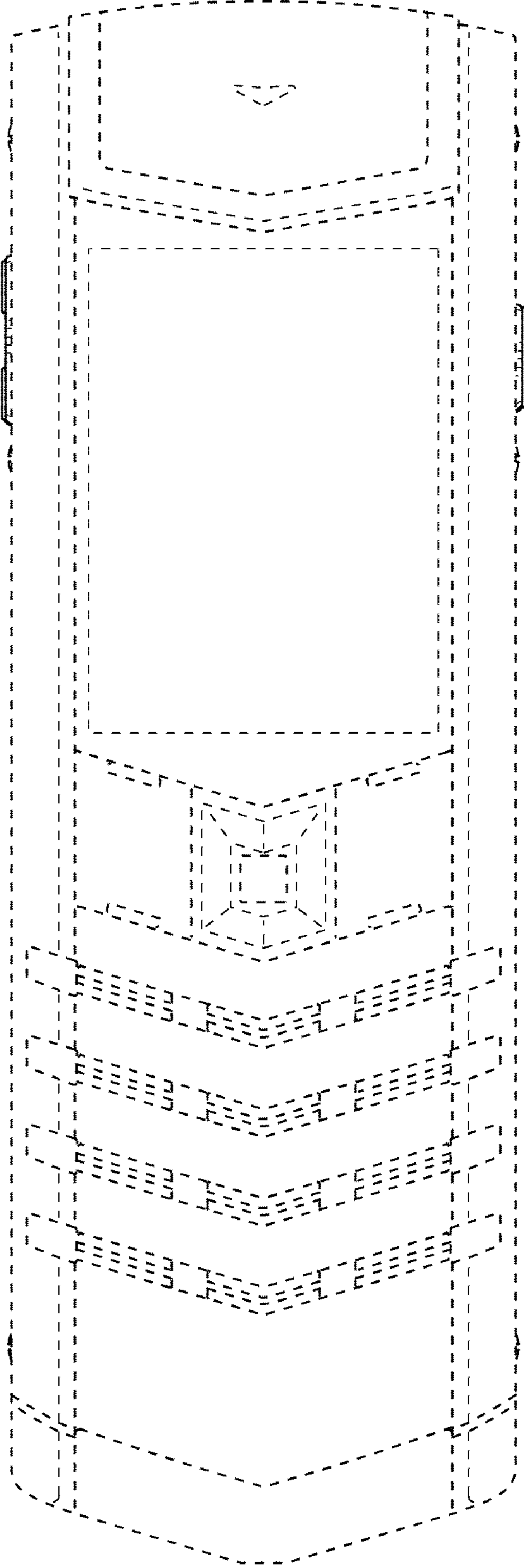


FIG. 11

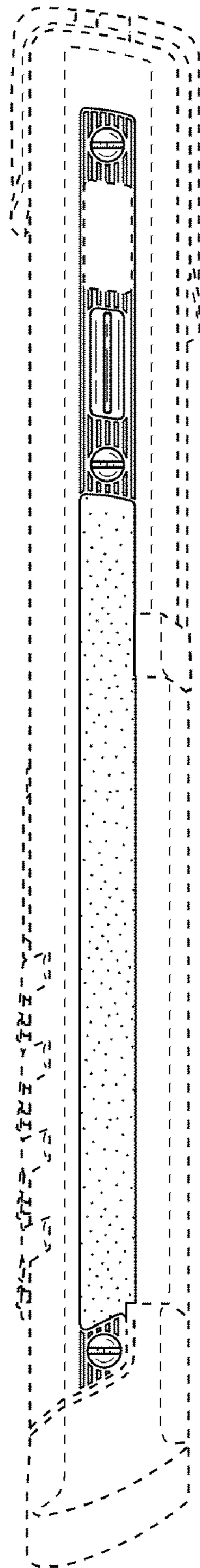


FIG. 12

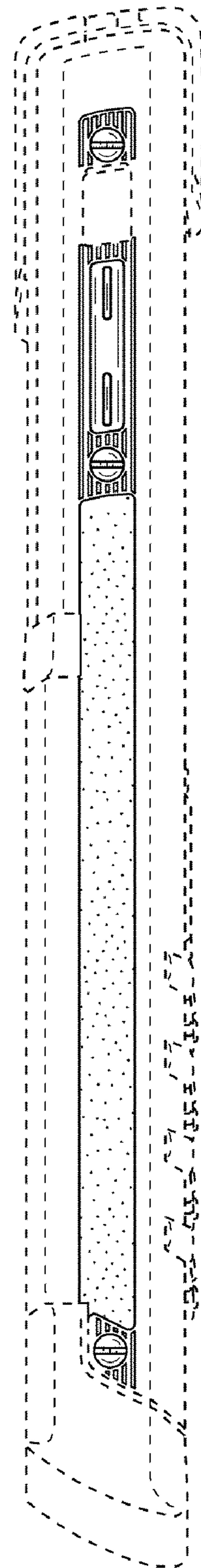


FIG. 13

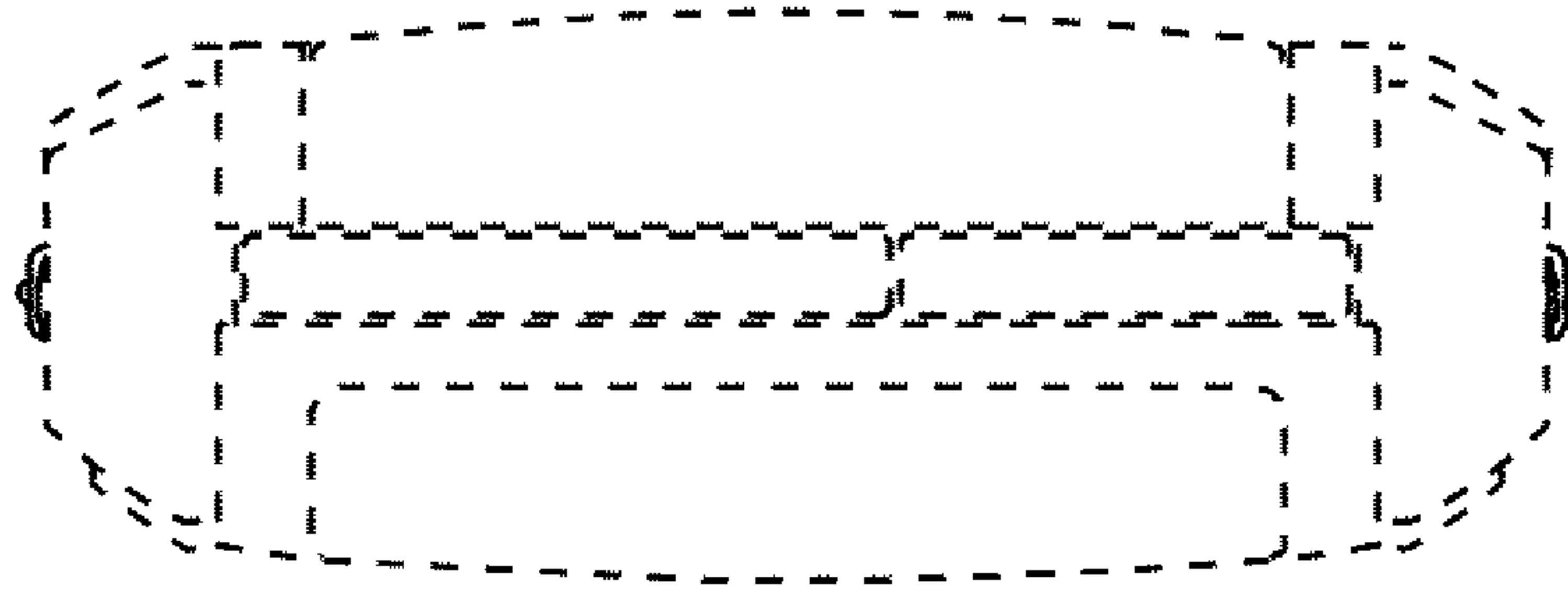


FIG. 14

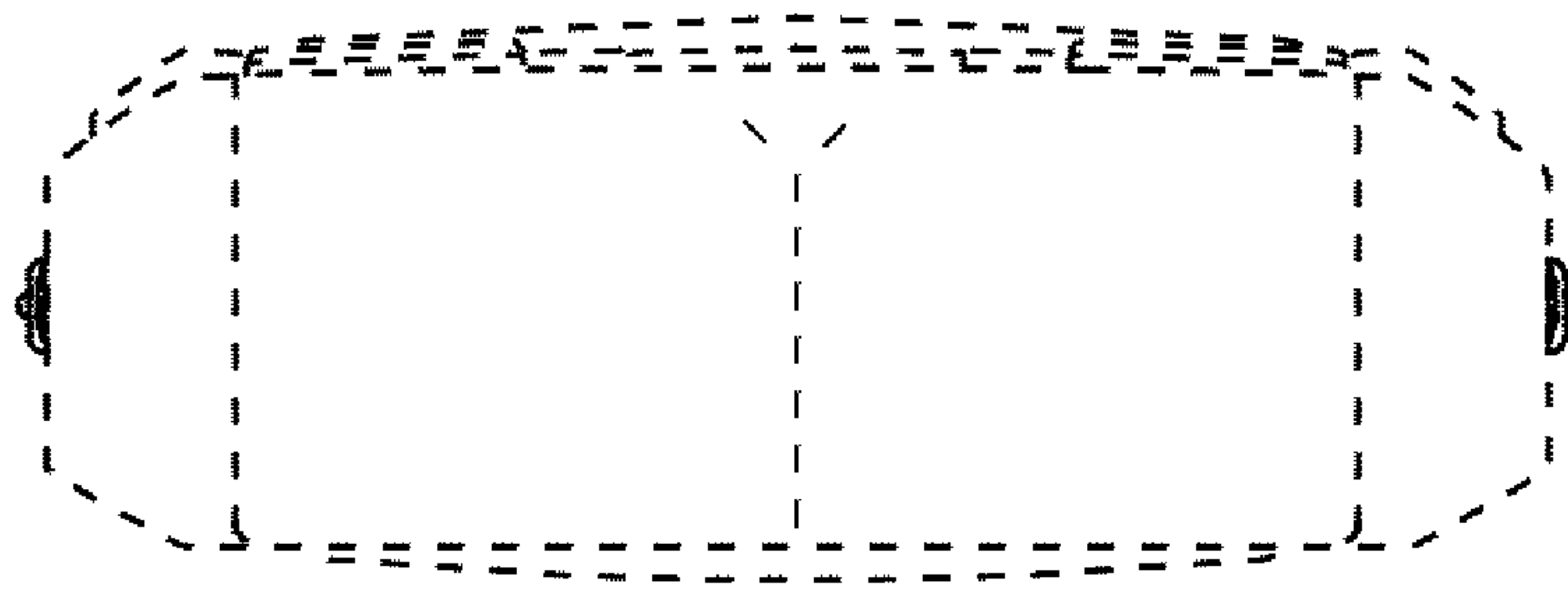


FIG. 15

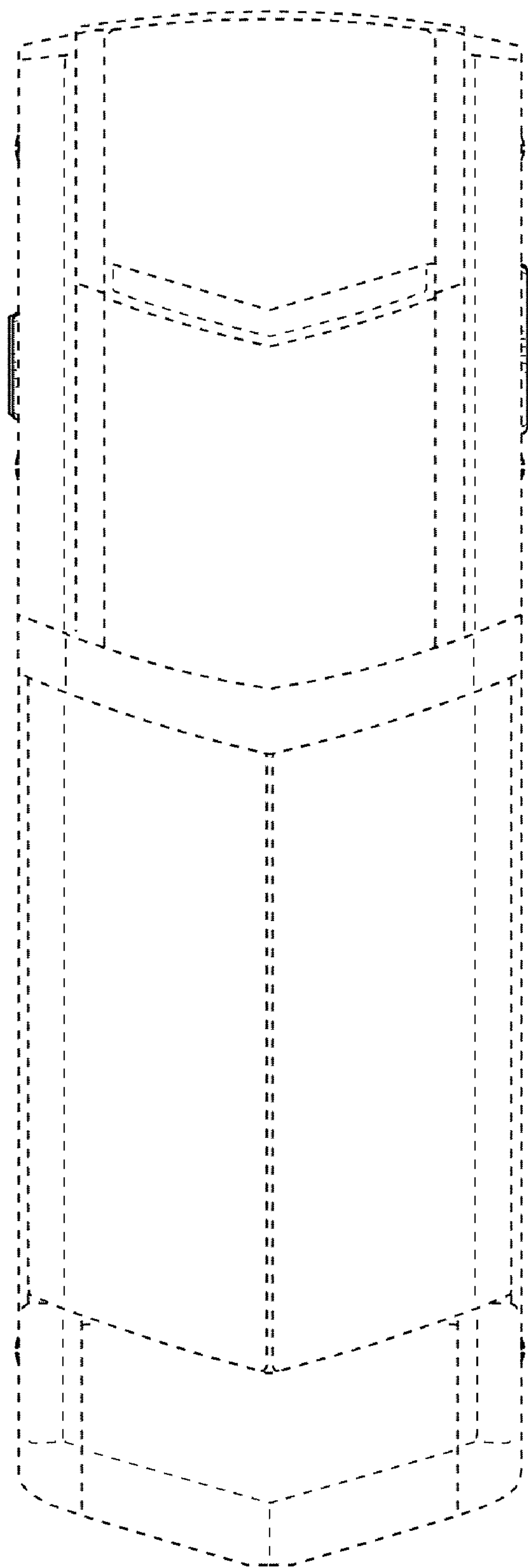


FIG. 16