



US00D603853S

(12) **United States Design Patent**
Lee

(10) **Patent No.:** **US D603,853 S**
(45) **Date of Patent:** **** Nov. 10, 2009**

(54) **KEYPAD FOR A MOBILE PHONE**

(75) Inventor: **Sang-Yong Lee**, Seoul (KR)

(73) Assignee: **Samsung Electronics Co., Ltd.**,
Suwon-Si (KR)

(**) Term: **14 Years**

(21) Appl. No.: **29/328,787**

(22) Filed: **Dec. 2, 2008**

(30) **Foreign Application Priority Data**

Sep. 18, 2008 (KR) 30-2008-0040304

(51) **LOC (9) Cl.** **14-03**

(52) **U.S. Cl.** **D14/247**

(58) **Field of Classification Search** D14/247–248,
D14/138 R, 138 AD, 138 AC, 138 C, 138 G,
D14/191, 203.1–203.8, 496, 144, 244, 432,
D14/439, 455, 456, 138 AA, 138 AB, 137,
D14/147, 218, 341–347; D10/65, 78, 104;
D13/168; D18/7; 455/566, 575.1, 575.3;
345/169; D21/478–480

See application file for complete search history.

(56) **References Cited**

U.S. PATENT DOCUMENTS

260,594 A * 7/1882 Mehner 273/157 R
D26,317 S * 11/1896 Kloman D21/480
D262,389 S * 12/1981 Bogue D21/480
D265,919 S * 8/1982 Spiecker D21/480

(Continued)

OTHER PUBLICATIONS

LG KF700, announced Feb. 2008, [online], [retrieved on Mar. 21, 2008 & May 14, 2008]. Retrieved from Internet ,<URL: http://www.gsmarena.com>.*

LG KF600, announced Feb. 2008, [online], [retrieved on Mar. 21, 2008]. Retrieved from Internet ,<URL: http://www.gsmarena.com>.*

Nokia 7610, announced Mar. 2004, [online], [retrieved on May 29, 2009]. Retrieved from Internet ,<URL: http://www.gsmarena.com>.*

Primary Examiner—Jeffrey D Asch

Assistant Examiner—Bridget L Eland

(74) *Attorney, Agent, or Firm*—Staas & Halsey LLP

(57) **CLAIM**

The ornamental design for a keypad for a mobile phone, as shown and described.

DESCRIPTION

FIG. 1 is a front perspective view of a keypad for a mobile phone;

FIG. 2 is a front view of the keypad for a mobile phone of FIG. 1;

FIG. 3 is a rear view of the keypad for a mobile phone of FIG. 1;

FIG. 4 is a left-side view of the keypad for a mobile phone of FIG. 1;

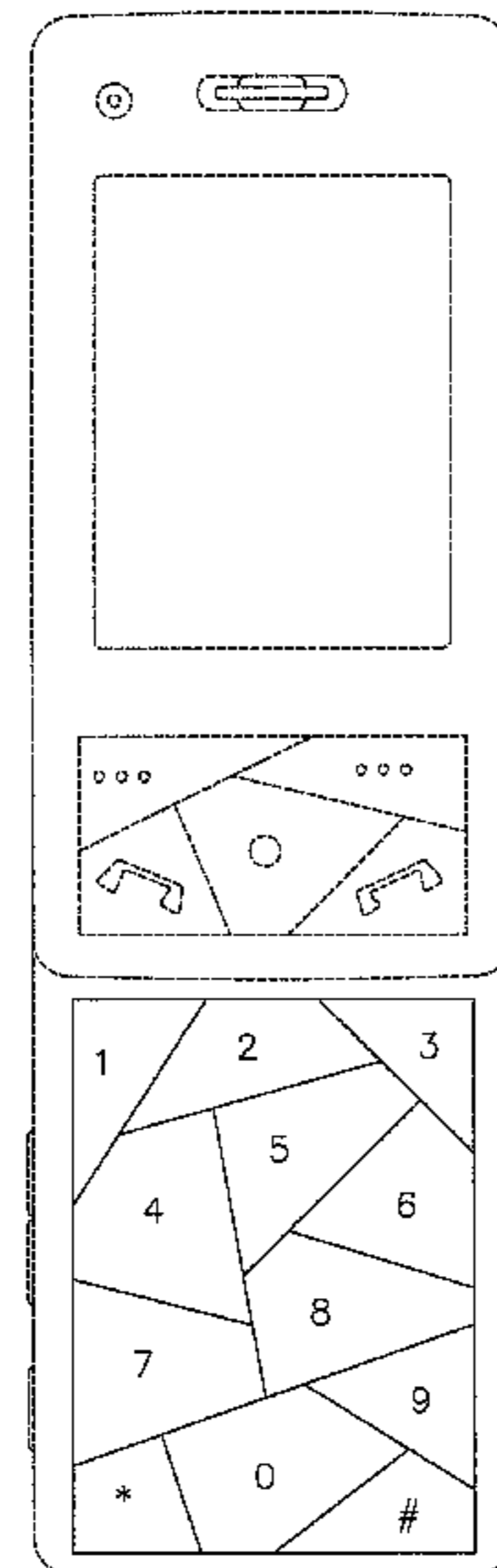
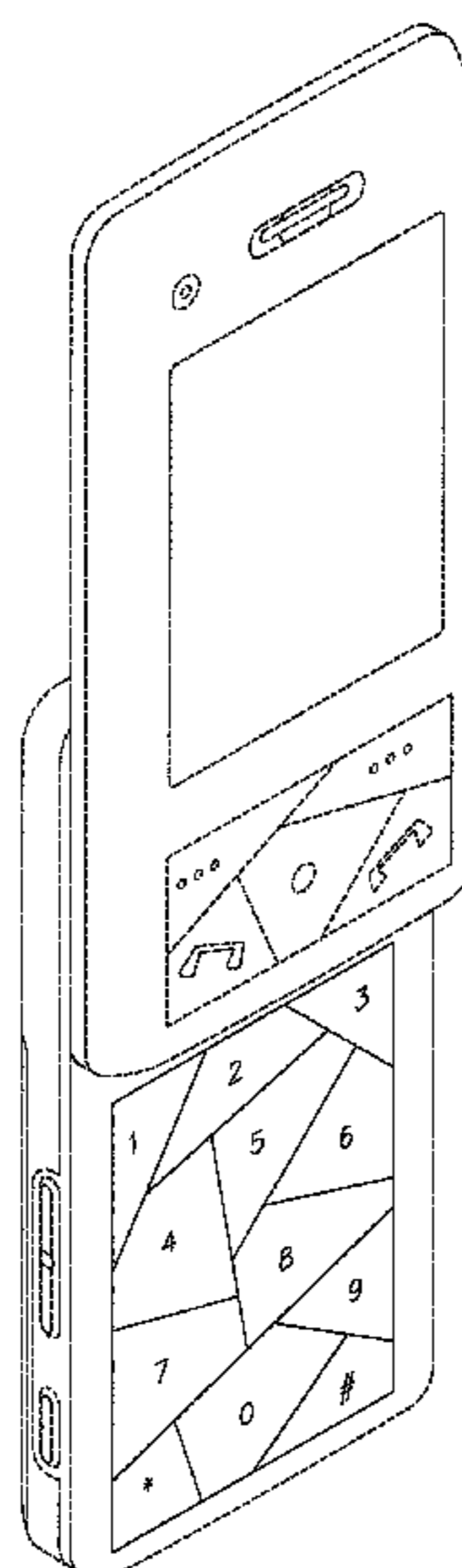
FIG. 5 is a right-side view of the keypad for a mobile phone of FIG. 1;

FIG. 6 is a top plan view of the keypad for a mobile phone of FIG. 1; and,

FIG. 7 is a bottom plan view of the keypad for a mobile phone of FIG. 1.

The keypad design consists of the outermost solid line boundary and everything within. The broken line showing of the remainder of the handset is directed to environment and is for illustrative purposes only; the broken lines form no part of the claimed design.

1 Claim, 4 Drawing Sheets



US D603,853 S

Page 2

U.S. PATENT DOCUMENTS

D413,361 S *	8/1999	Silvey	D21/478	D588,564 S *	3/2009	Pegon et al.	D14/138 AA
6,256,039 B1 *	7/2001	Krishnamurthy	345/420	D589,505 S *	3/2009	He	D14/248
D493,156 S *	7/2004	Hamann et al.	D14/138 AD	D590,818 S *	4/2009	He	D14/247
D500,758 S *	1/2005	Widiaman et al.	D14/247	D590,823 S *	4/2009	Wong et al.	D14/248
D539,258 S *	3/2007	Wang et al.	D14/138 AA	D591,740 S *	5/2009	Luke et al.	D14/341
D539,259 S *	3/2007	Wang et al.	D14/138 AA	2002/0042291 A1 *	4/2002	Lahteenmaki et al.	455/566
D546,309 S *	7/2007	Lee	D14/138 AB	2002/0130845 A1 *	9/2002	Abe	345/169
D557,238 S *	12/2007	Kim	D14/138 AD	2004/0009788 A1 *	1/2004	Mantjarvi et al.	455/550.1
7,307,620 B2 *	12/2007	Siddeeq	345/169	2004/0203729 A1 *	10/2004	Makipaa et al.	455/426.1
D580,900 S *	11/2008	Wong et al.	D14/138 AA	2008/0018607 A1 *	1/2008	Joo	345/169
D586,773 S *	2/2009	Kim et al.	D14/138 AB	2008/0218484 A1 *	9/2008	Nishiwaki	345/169

* cited by examiner

FIG. 1

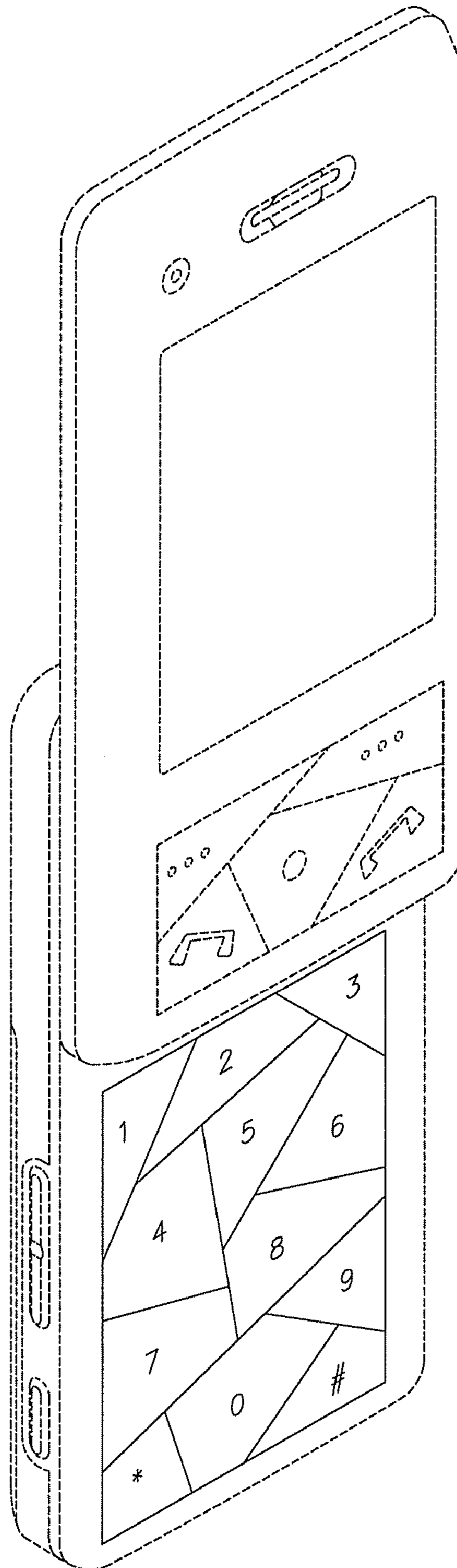


FIG. 2

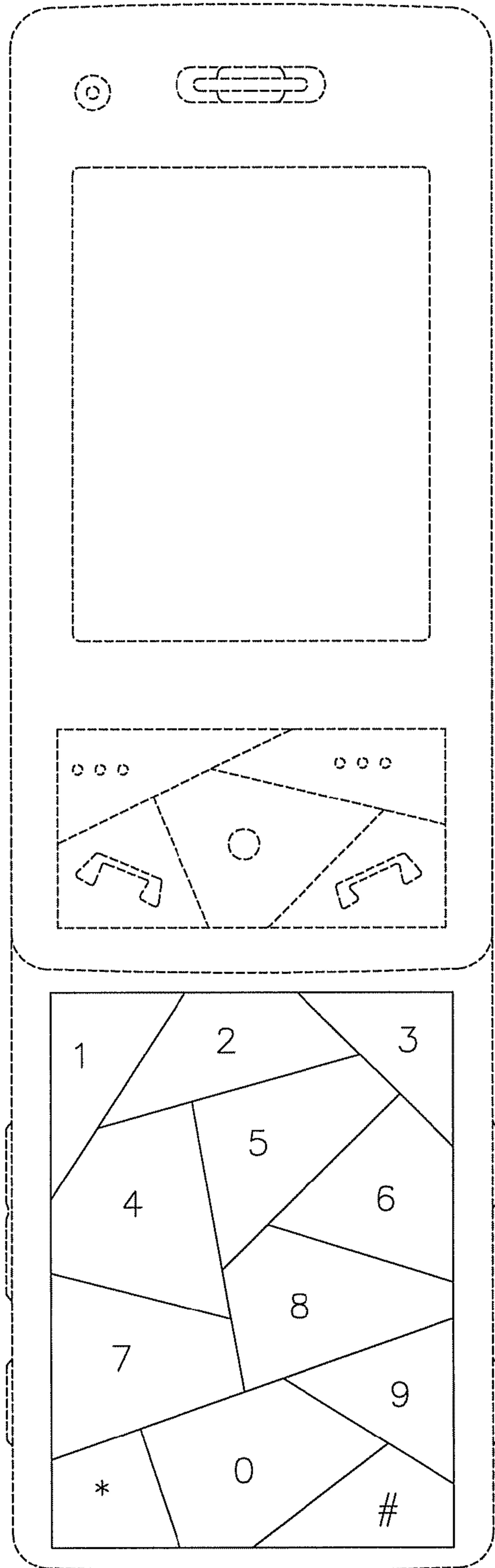


FIG. 3

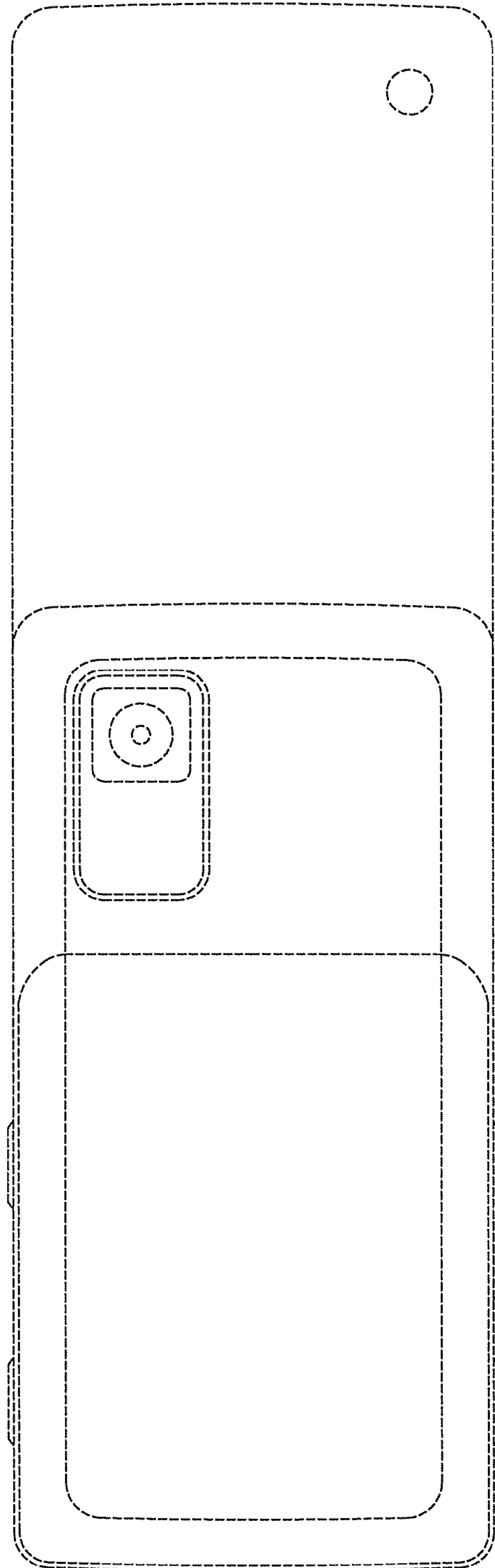


FIG. 4

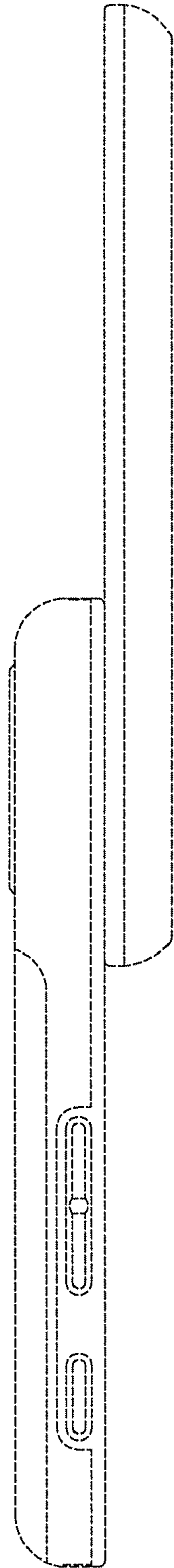


FIG. 5

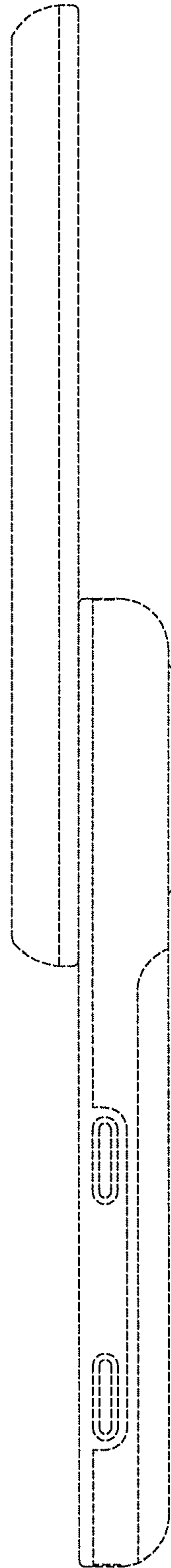


FIG. 6

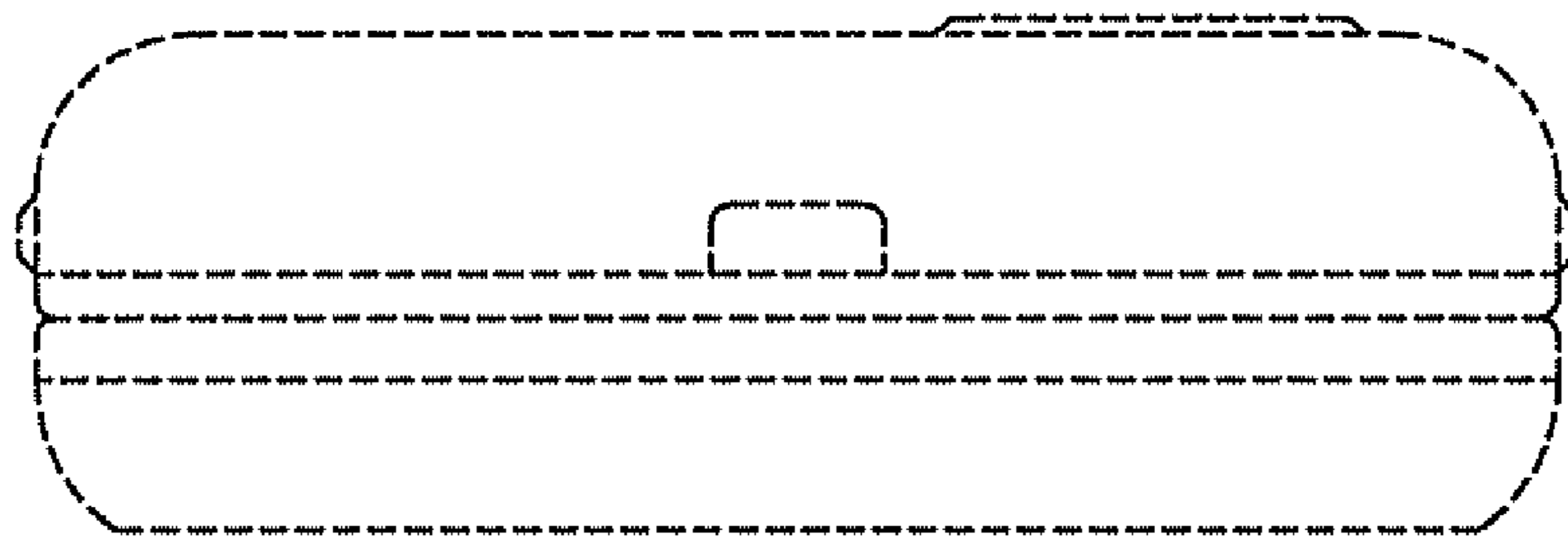


FIG. 7

