



US00D603852S

(12) **United States Design Patent**
Le

(10) **Patent No.:** **US D603,852 S**

(45) **Date of Patent:** **** Nov. 10, 2009**

(54) **PANEL TV WALL RACK**

(76) Inventor: **Jianrong Le**, Xinle, Qiu'ai Town,
Yinzhou District, Ningbo (CN) 315101

(**) Term: **14 Years**

(21) Appl. No.: **29/330,727**

(22) Filed: **Jan. 13, 2009**

(51) **LOC (9) Cl.** **14-03**

(52) **U.S. Cl.** **D14/239**

(58) **Field of Classification Search** D14/125-134,
D14/239, 371, 136, 374-377; D8/363, 373,
D8/349, 394; 248/465, 917-924, 123.11;
348/825, 827, 836, 837, 838, 180, 184, 325,
348/739; 600/443; D6/477-479, 407, 474,
D6/460, 461, 468; 312/7.2; 341/12; 345/87,
345/104, 133, 156, 168, 169, 173; 720/605,
720/669, 600, 655; 369/99, 197; 455/344-347;
349/1, 2, 11, 62; 108/59, 91, 92, 96; 211/40,
211/41.12, 42, 49.1, 50, 85.2, 90.04, 187,
211/190, 119.003, 134.153, 87.01, 71.01

See application file for complete search history.

(56) **References Cited**

U.S. PATENT DOCUMENTS

D507,477 S * 7/2005 Pfister D8/363
D569,381 S * 5/2008 Sculler et al. D14/452
D580,421 S * 11/2008 Sculler et al. D14/239
D580,742 S * 11/2008 Short D8/363

D581,915 S * 12/2008 Sculler et al. D14/239
D581,916 S * 12/2008 Sculler et al. D14/239
D582,401 S * 12/2008 Stenhouse et al. D14/239
D585,449 S * 1/2009 Anderson et al. D14/451
D593,080 S * 5/2009 Russell et al. D14/239
D594,001 S * 6/2009 Sexton D14/239

* cited by examiner

Primary Examiner—Raphael Barkai

Assistant Examiner—Randall H Gholson

(74) *Attorney, Agent, or Firm*—Morrison & Foerster LLP

(57) **CLAIM**

The ornamental design for a panel TV wall rack, as shown and described.

DESCRIPTION

FIG. 1 is a top perspective view of a panel TV wall rack showing my new design;

FIG. 2 is a front view thereof;

FIG. 3 is a back view thereof;

FIG. 4 is a left side view thereof;

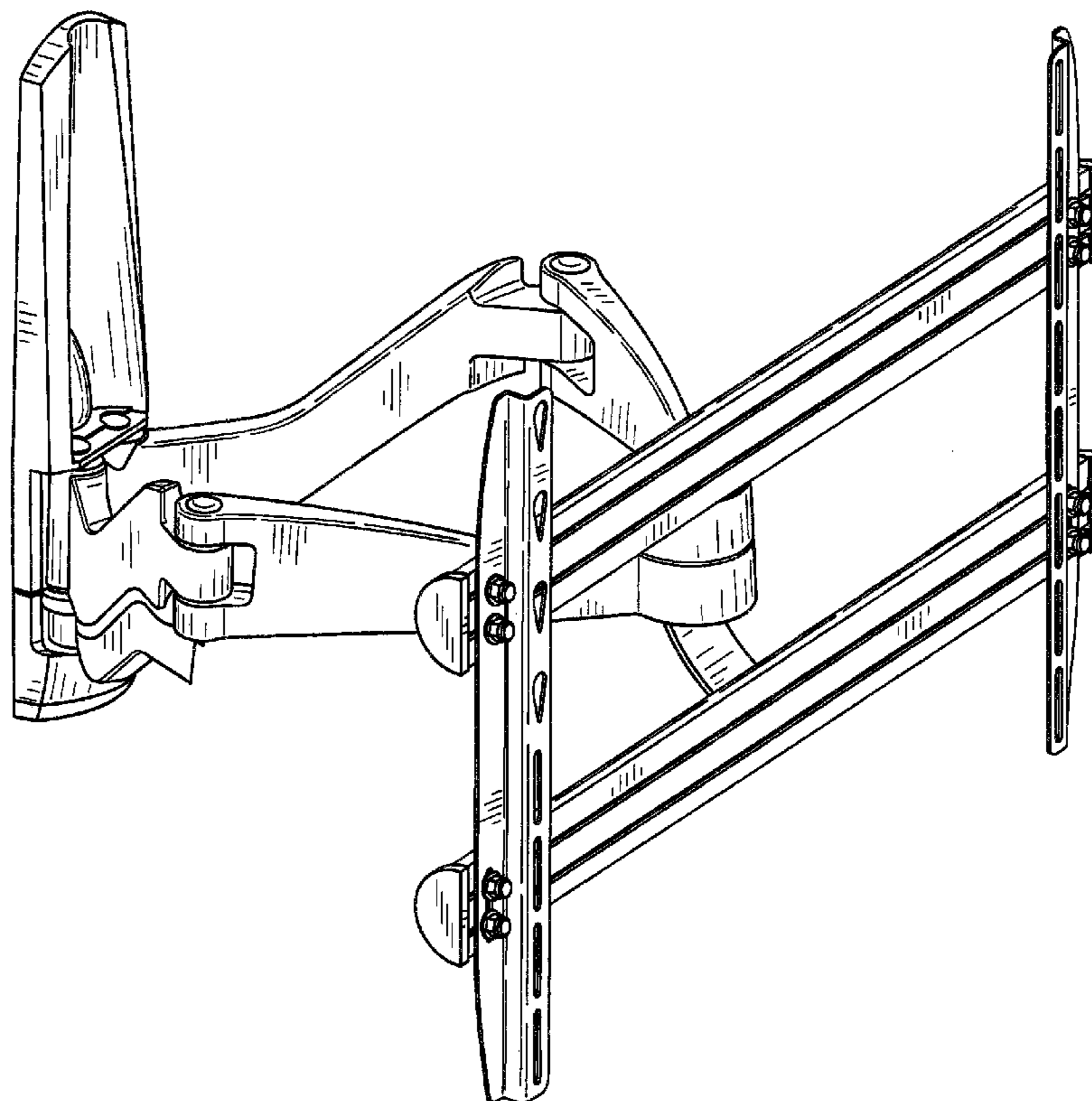
FIG. 5 is a right side view thereof;

FIG. 6 is a top view thereof; and,

FIG. 7 is a bottom view thereof.

The broken lines are for illustrative purposes only and form no part of the claimed design.

1 Claim, 4 Drawing Sheets



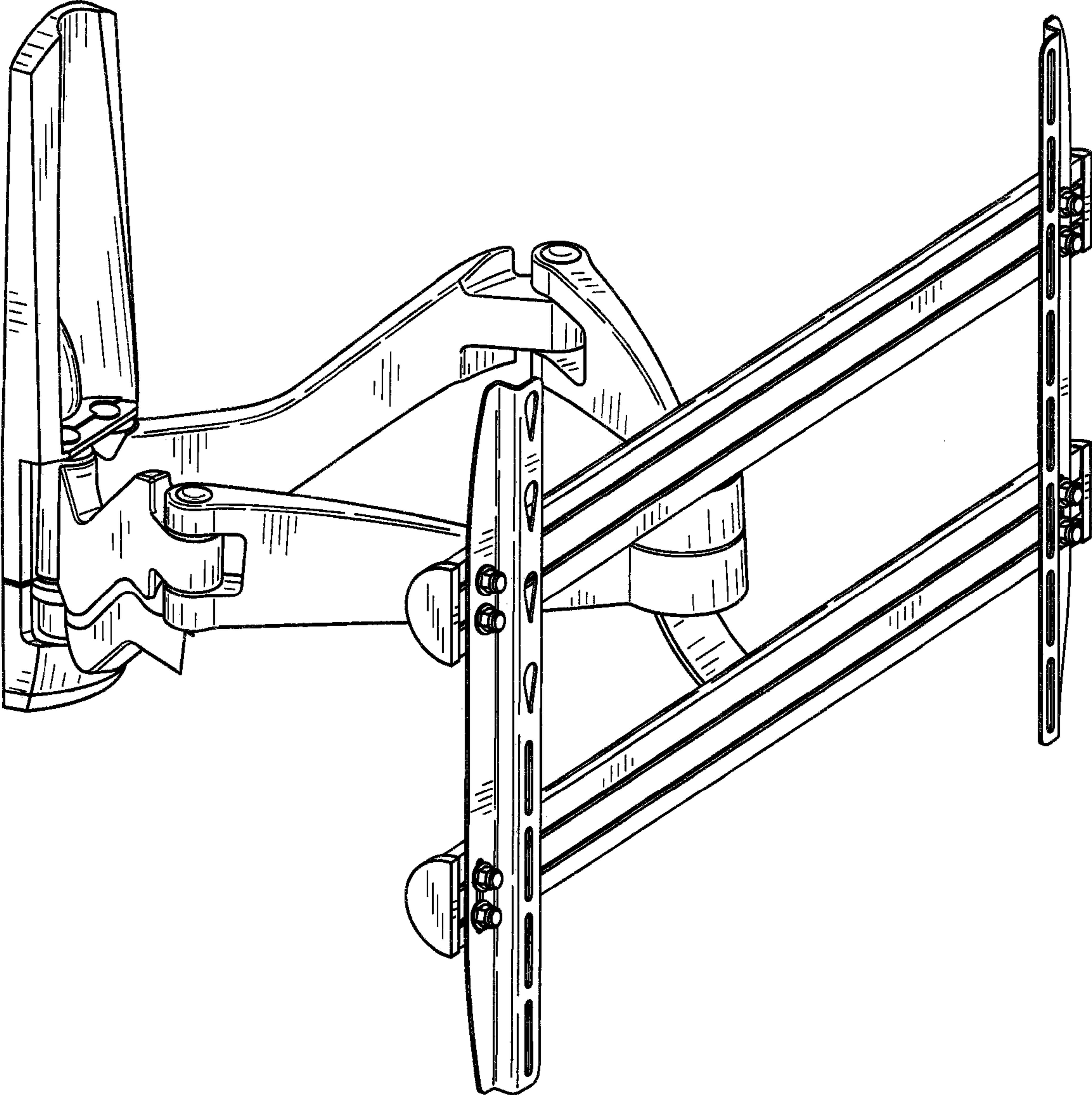


FIG. 1

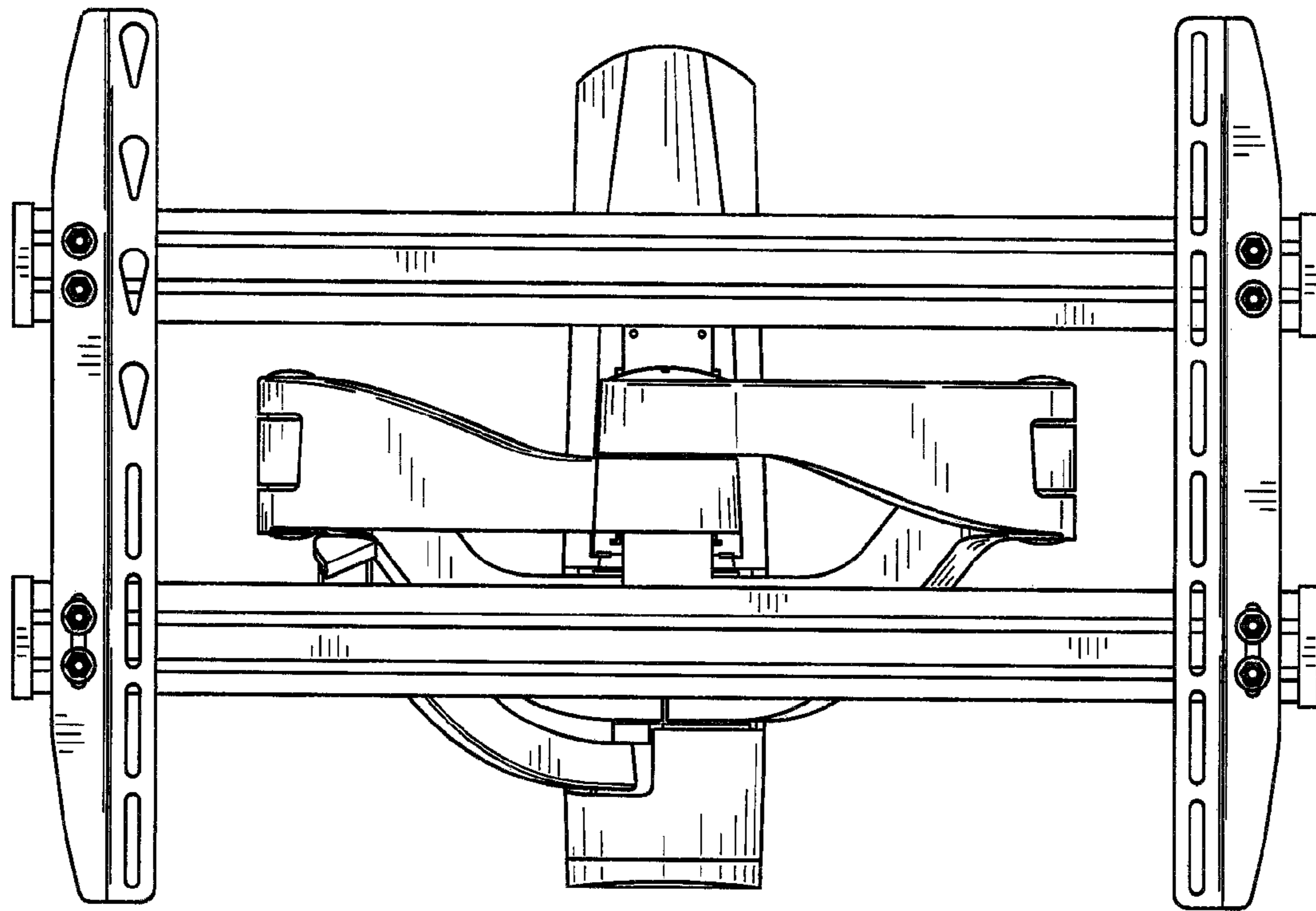


FIG. 2

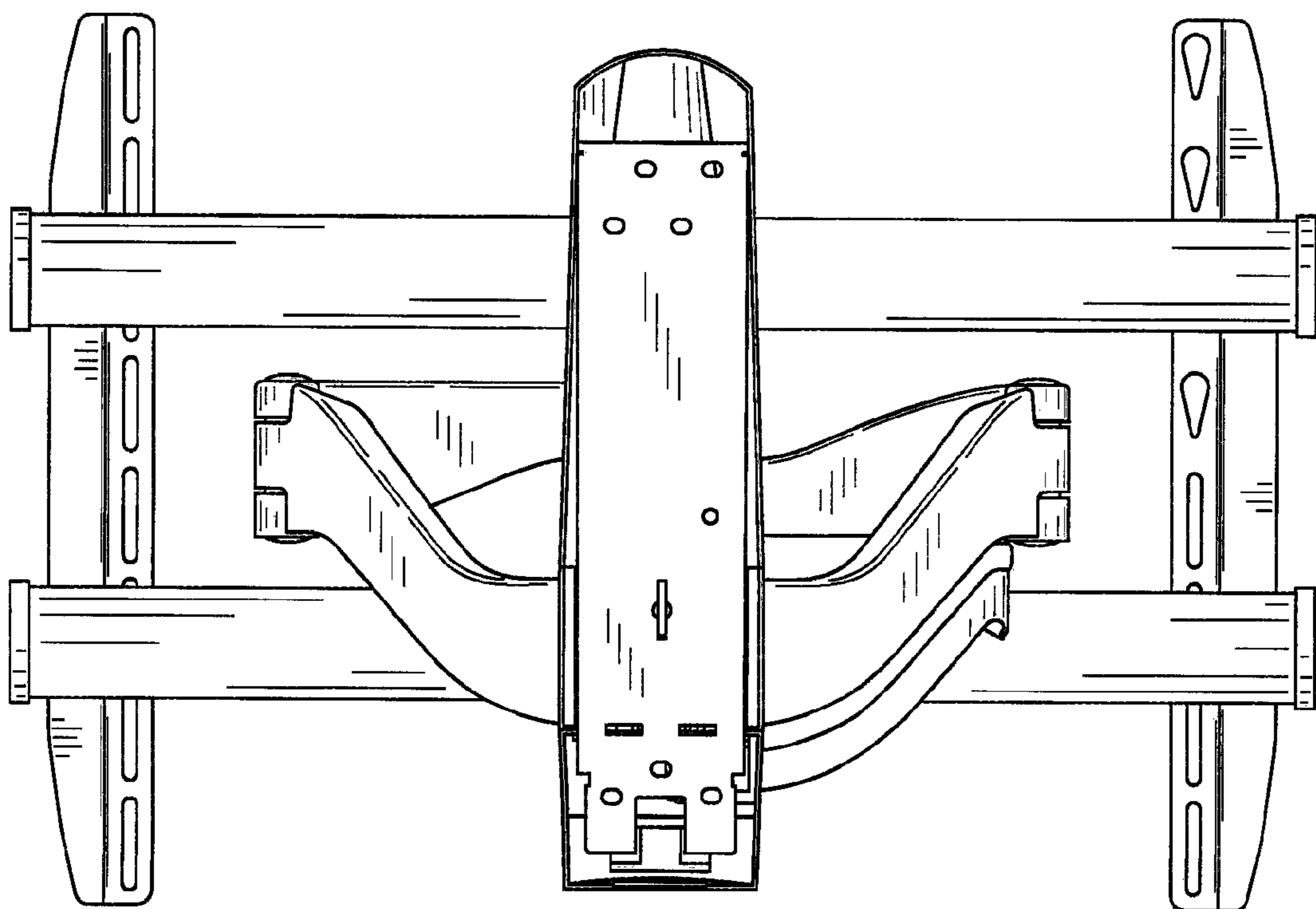


FIG. 3

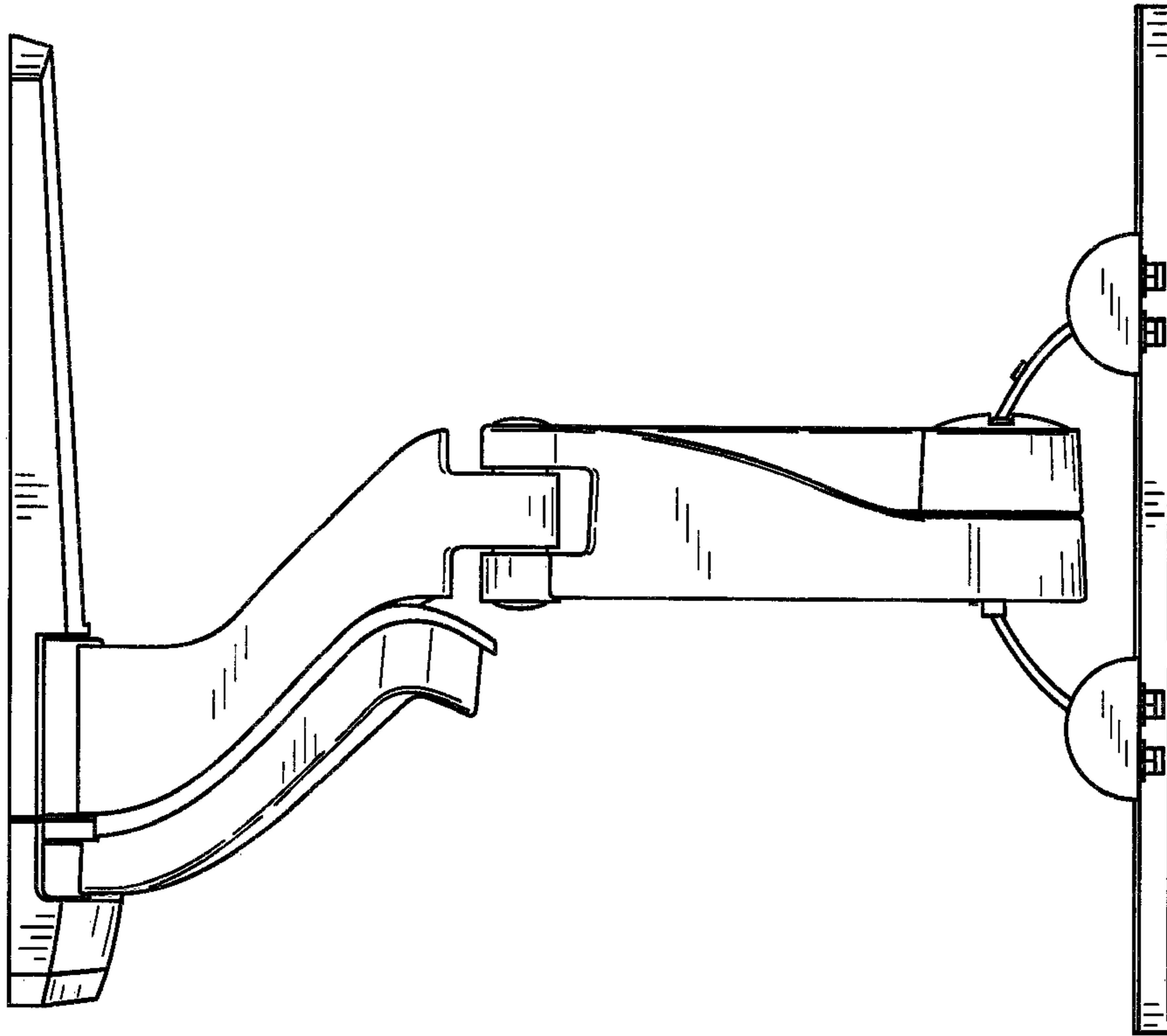


FIG. 4

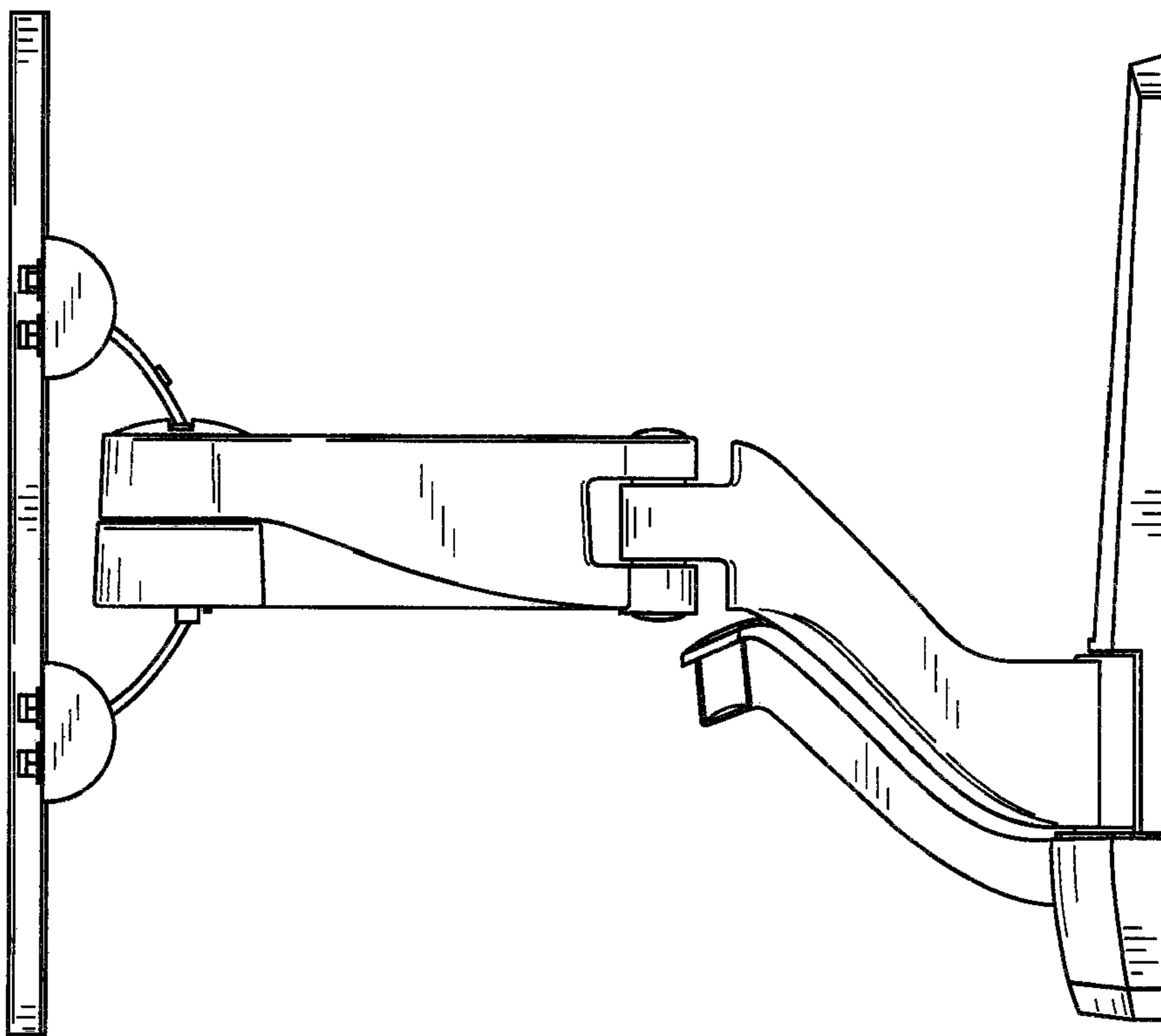


FIG. 5

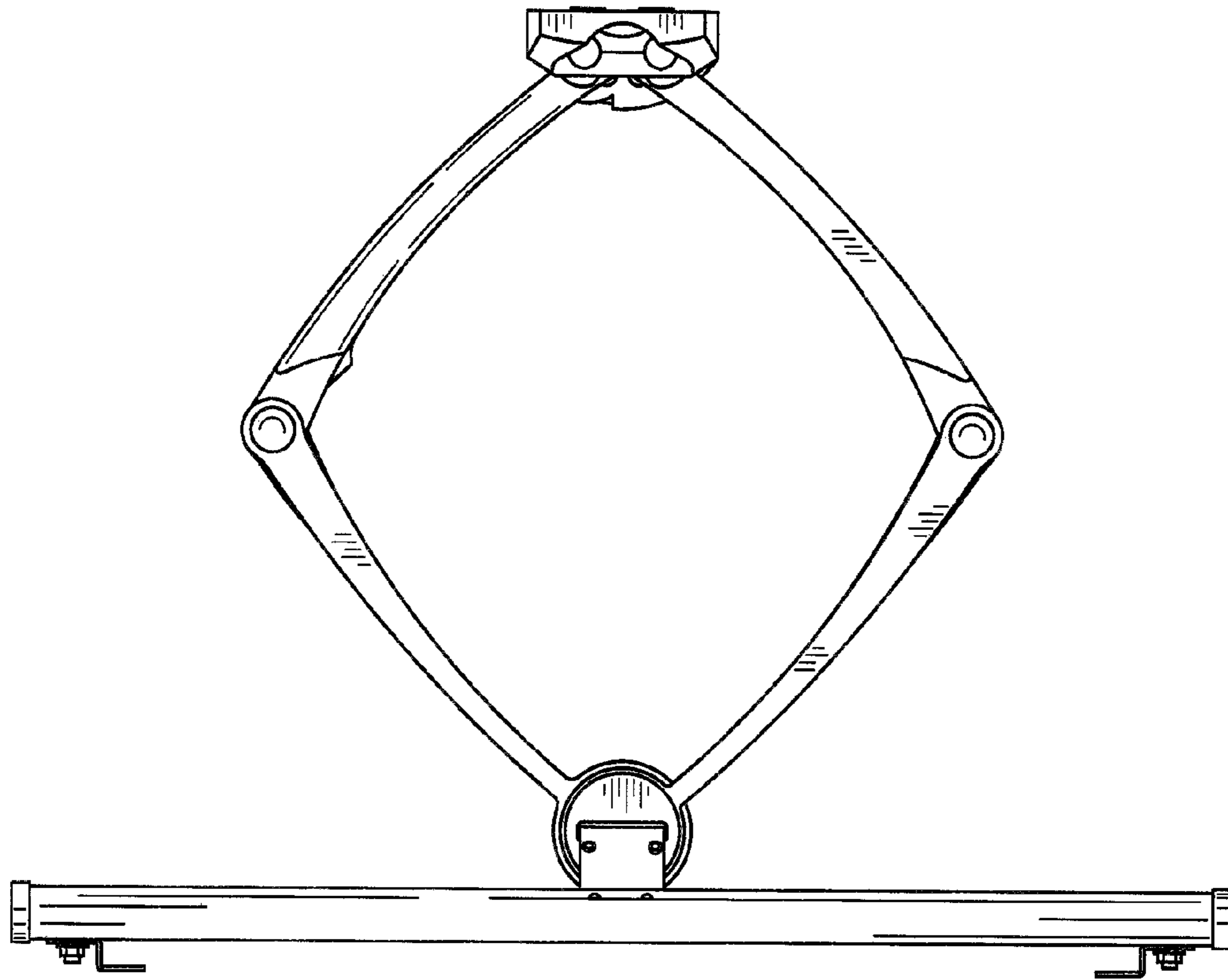


FIG. 6

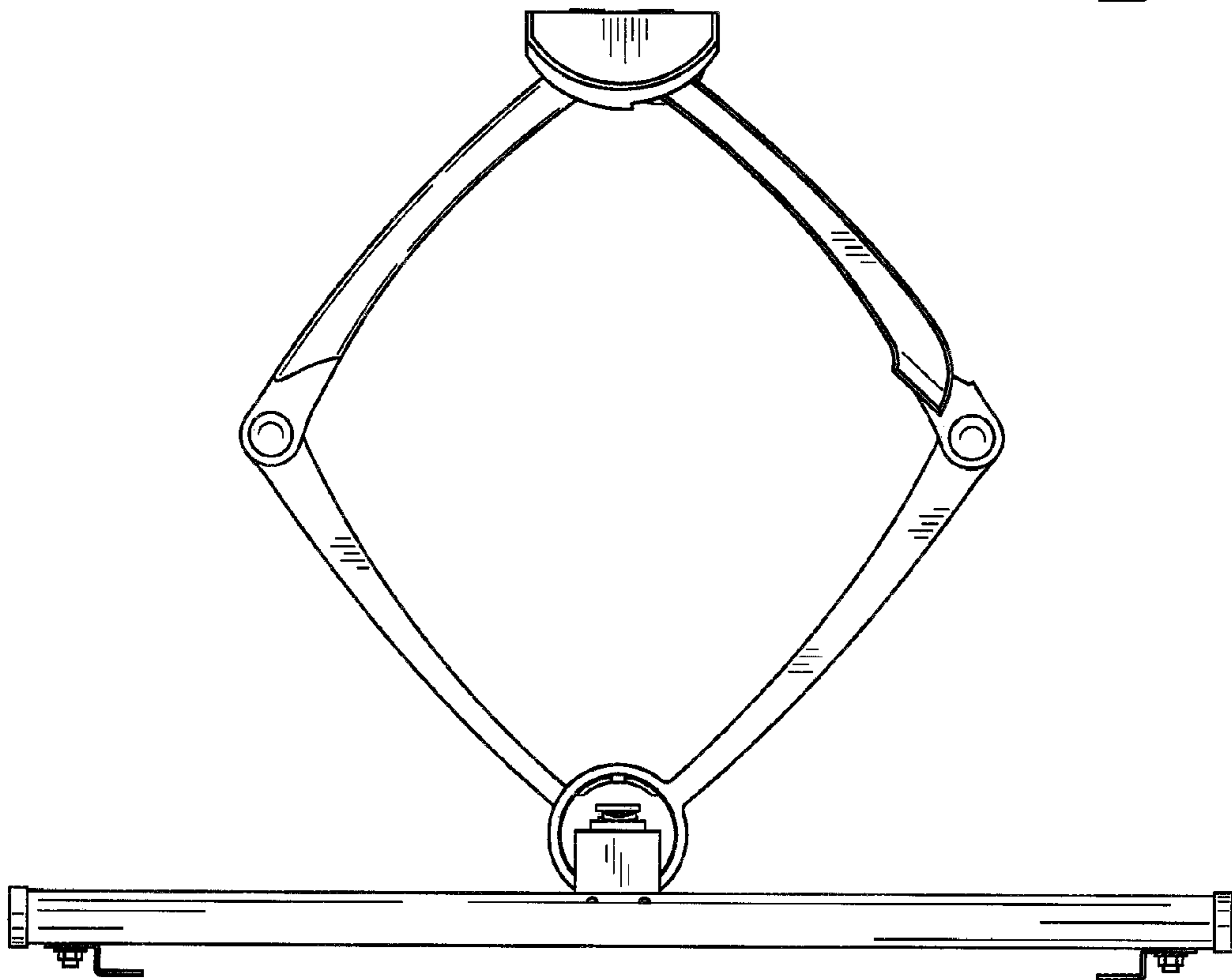


FIG. 7