



US00D603850S

(12) **United States Design Patent**
Wu et al.

(10) **Patent No.:** **US D603,850 S**

(45) **Date of Patent:** **** Nov. 10, 2009**

(54) **DOUBLE-BAND ANTENNA**

(75) Inventors: **Hsin Tsung Wu**, Tu-Cheng (TW); **Yu Hung Su**, Tu-Cheng (TW); **Shin Ting Yeh**, Tu-Cheng (TW)

(73) Assignee: **Cheng Uei Precision Industry Co., Ltd.**, Taipei Hsien (TW)

(**) Term: **14 Years**

(21) Appl. No.: **29/311,642**

(22) Filed: **May 13, 2009**

(51) **LOC (9) Cl.** **14-03**

(52) **U.S. Cl.** **D14/230**

(58) **Field of Classification Search** D14/138,
D14/230-238, 299, 358; D12/42, 43; 343/700 MS,
343/700 R-705, 711-713, 741, 748, 767,
343/795, 819, 840, 846, 866, 871-908; 455/90.2,
455/90.3, 91, 128, 269, 344, 347, 562.1
See application file for complete search history.

(56) **References Cited**

U.S. PATENT DOCUMENTS

6,529,168	B2 *	3/2003	Mikkola et al.	343/702
D554,111	S *	10/2007	Su et al.	D14/230
D555,155	S *	11/2007	Su et al.	D14/230
D581,910	S *	12/2008	Takisawa et al.	D14/230
7,501,991	B2 *	3/2009	Yeap	343/795
2003/0122722	A1 *	7/2003	Sugiyama et al.	343/767

2003/0189522	A1 *	10/2003	Zeilinger	343/702
2005/0062655	A1 *	3/2005	Suganthan et al.	343/702
2006/0187121	A1 *	8/2006	Chang et al.	343/700 MS
2007/0040751	A1 *	2/2007	Boyle	343/702
2007/0115189	A1 *	5/2007	Wen et al.	343/702
2007/0171128	A1 *	7/2007	Chen	343/700 MS
2008/0030411	A1 *	2/2008	Wen et al.	343/702
2009/0140942	A1 *	6/2009	Mikkola et al.	343/767

* cited by examiner

Primary Examiner—T. Chase Nelson

Assistant Examiner—John Windmuller

(74) *Attorney, Agent, or Firm*—Rosenberg, Klein & Lee

(57) **CLAIM**

The ornamental design for a double-band antenna, as shown and described.

DESCRIPTION

FIG. 1 is a perspective view of a double-band antenna showing our new design;

FIG. 2 is a front elevational view thereof;

FIG. 3 is a rear elevational view thereof;

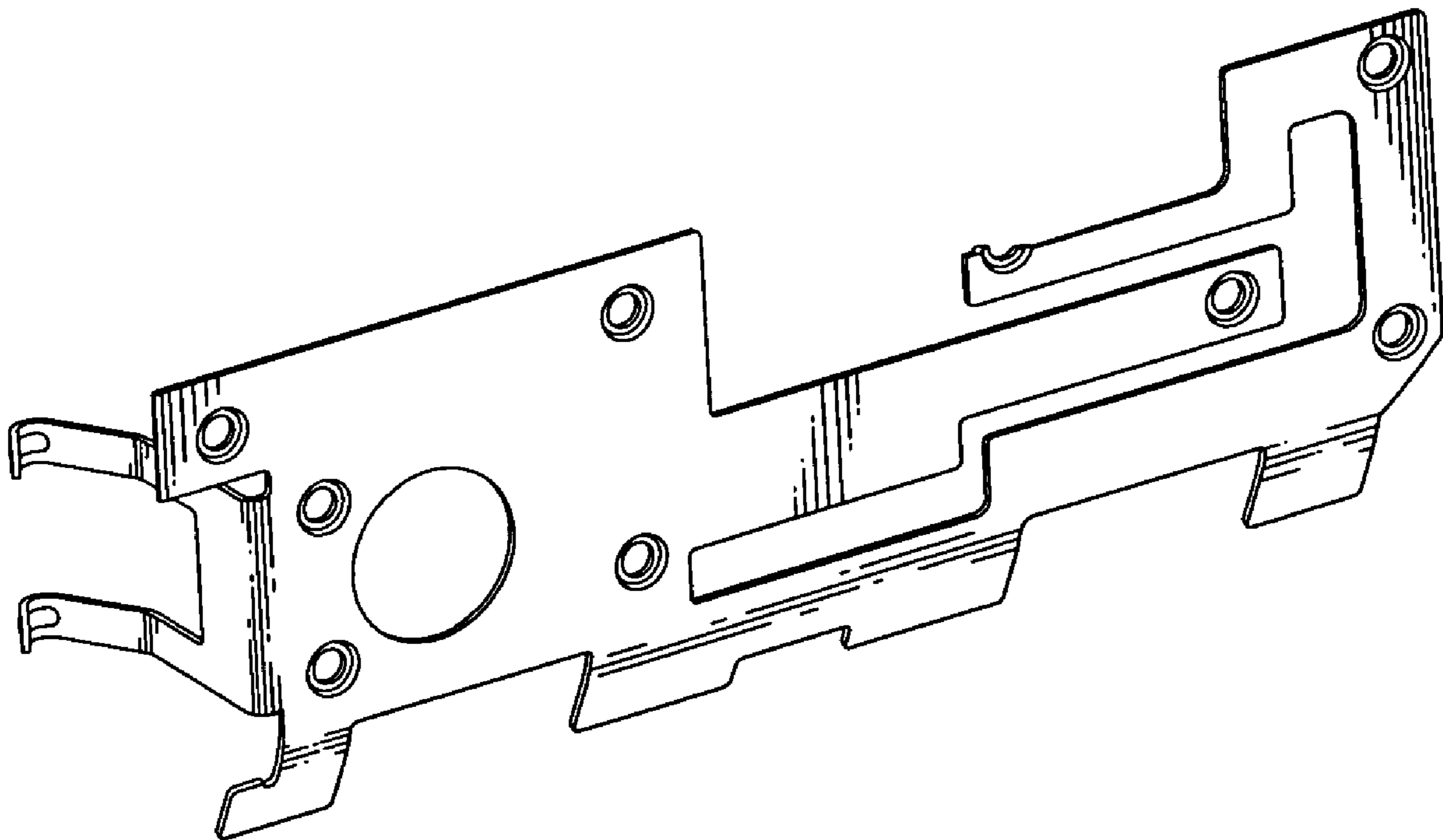
FIG. 4 is a left side elevational view thereof;

FIG. 5 is a right side elevational view thereof;

FIG. 6 is a top plan view thereof; and,

FIG. 7 is a bottom plan view thereof.

1 Claim, 7 Drawing Sheets



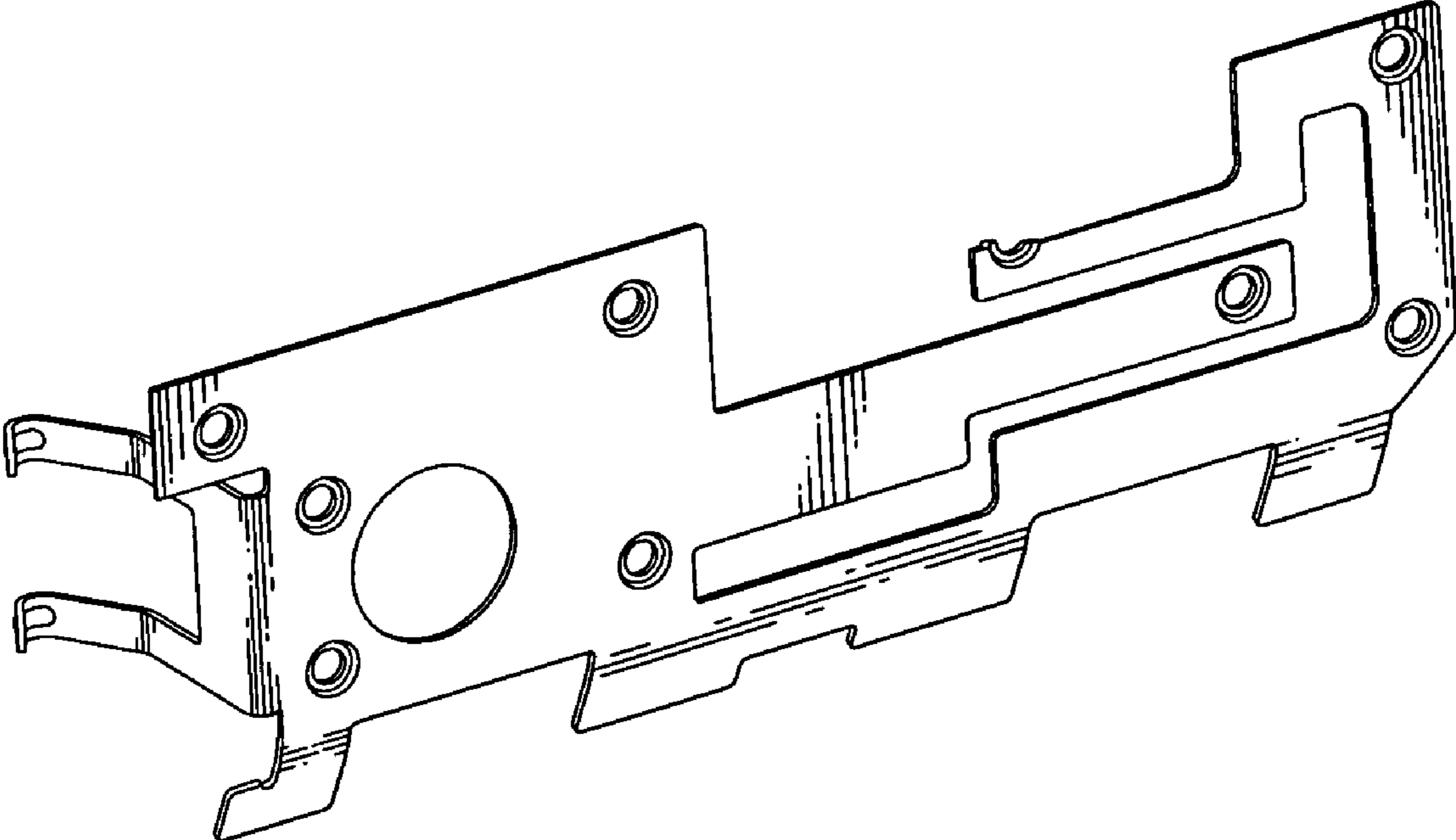


FIG. 1

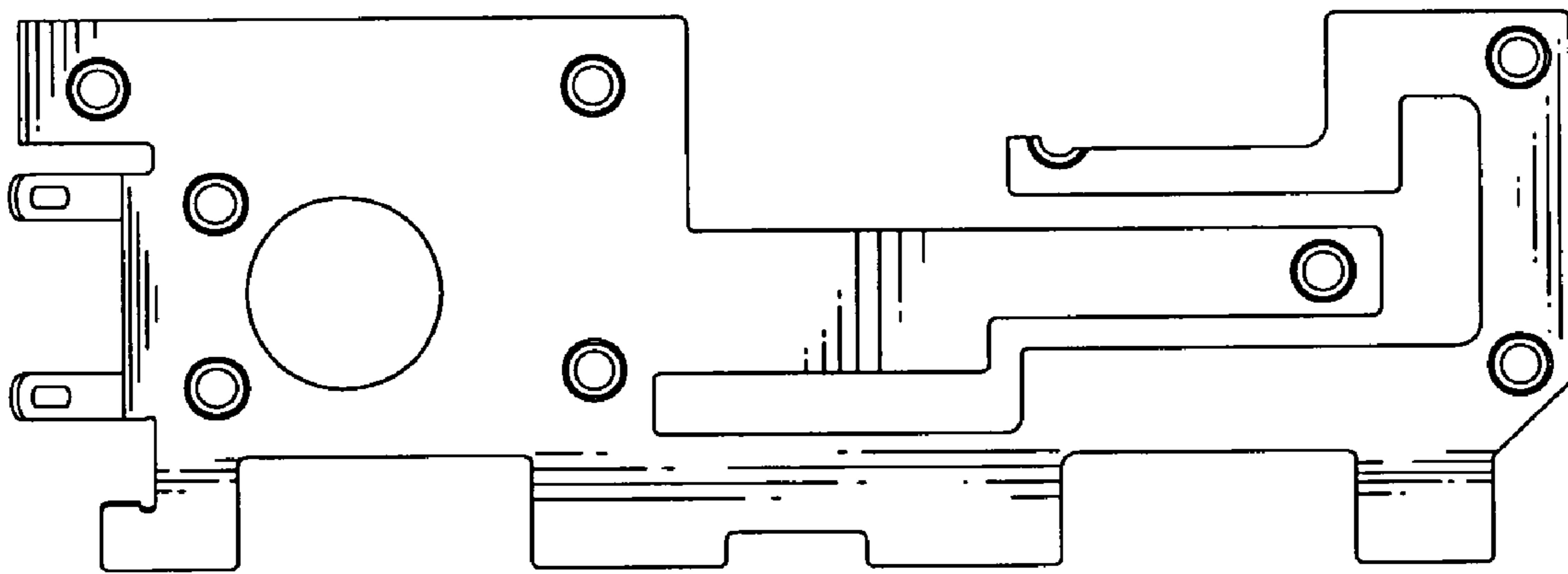


FIG. 2

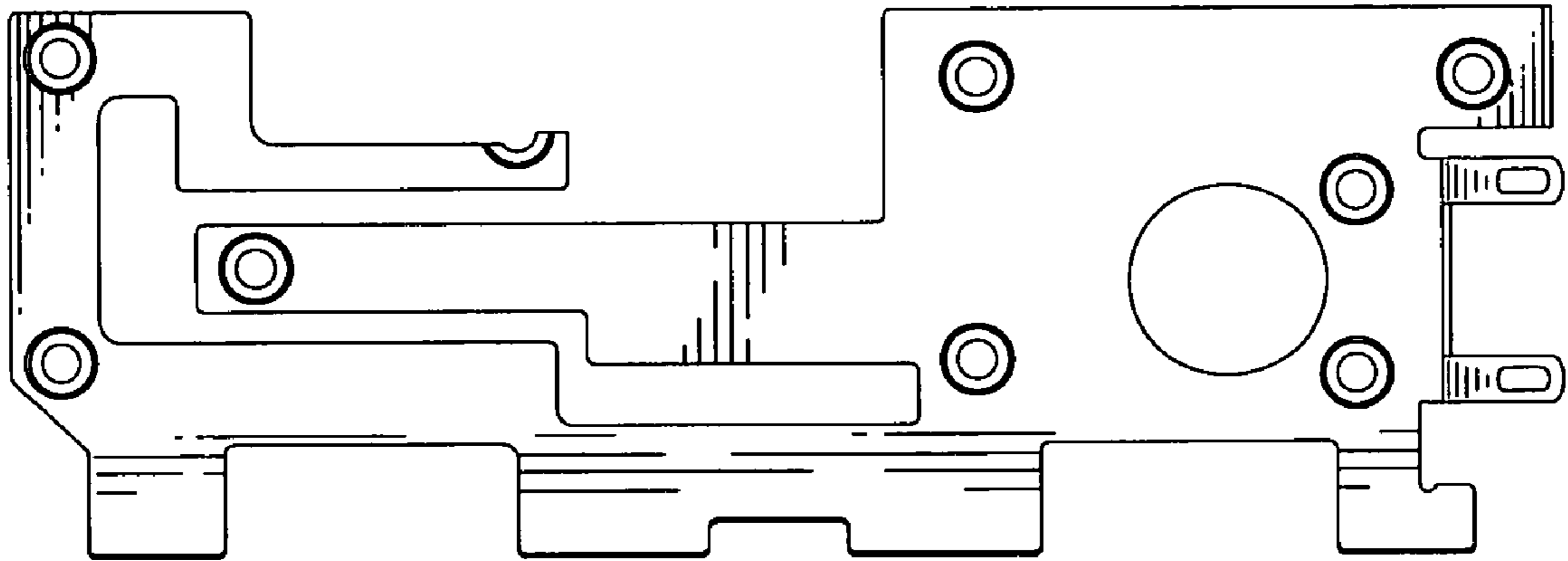


FIG. 3

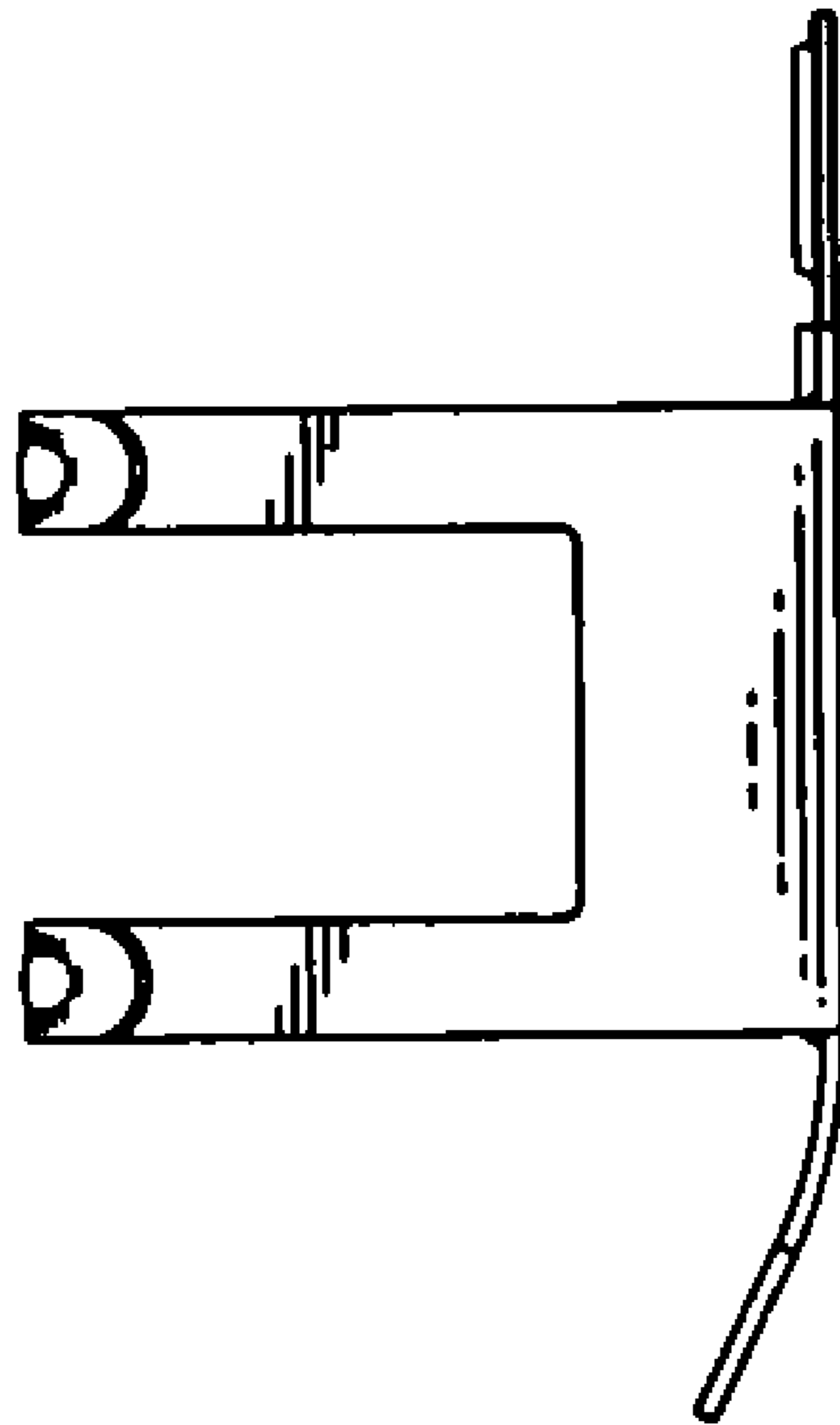


FIG. 4

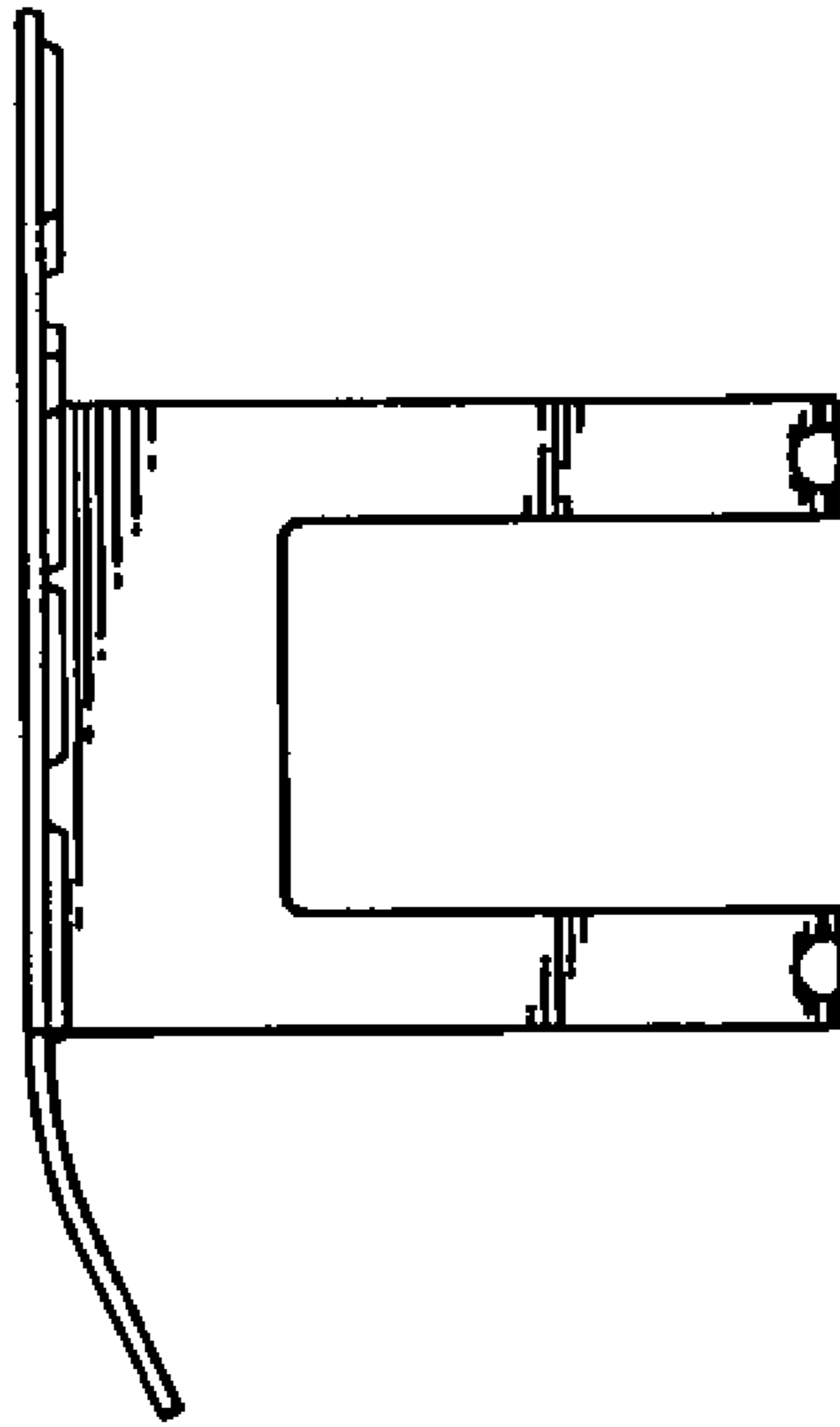


FIG. 5



FIG. 6

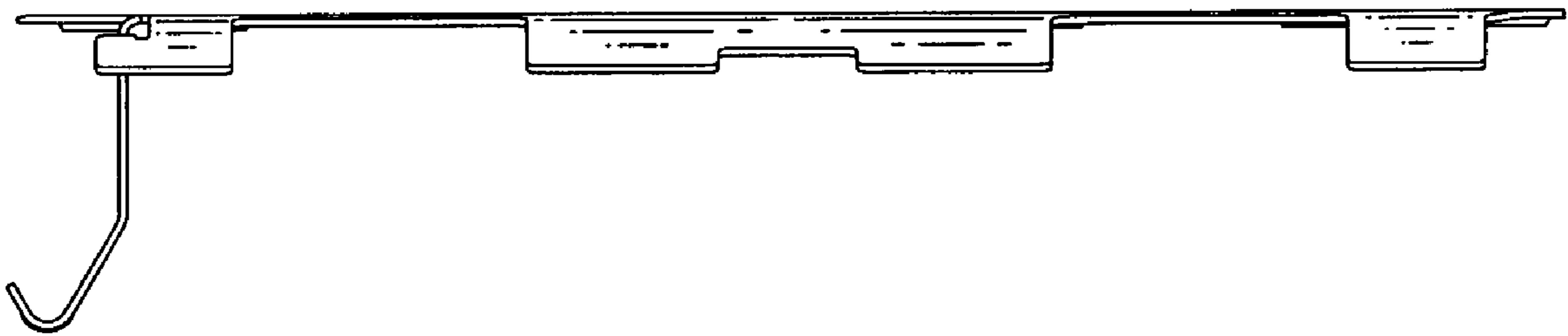


FIG. 7