

US00D603849S

(12) **United States Design Patent**
Durrett et al.

(10) **Patent No.:** **US D603,849 S**
(45) **Date of Patent:** **** *Nov. 10, 2009**

(54) **MICROPHONE**

FOREIGN PATENT DOCUMENTS

(75) Inventors: **James Daniel Durrett**, Chicago, IL (US); **Kenneth Alvin Tarbell**, Roselle, IL (US); **Michael Chad Wiggins**, Gilberts, IL (US); **John P. Devlin**, Tewksbury, MA (US); **Kurt M. Maw**, Salem, MA (US); **Mark A. Nichols**, Newton, MA (US); **Gabor Zaroni**, Cambridge, MA (US)

JP 32990 4/1971

OTHER PUBLICATIONS

Advertisement for Audix CX-101 and CX-111 microphones, 1997.

(Continued)

Primary Examiner—Paula Greene
(74) *Attorney, Agent, or Firm*—Banner & Witcoff, Ltd.

(73) Assignee: **Shure Acquisition Holdings, Inc.**, Niles, IL (US)

(57) **CLAIM**

The ornamental design for a microphone, as shown and described.

(**) Term: **14 Years**

DESCRIPTION

(21) Appl. No.: **29/322,323**

FIG. 1 is a front right perspective view of a microphone showing a first embodiment of our new design;

(22) Filed: **Aug. 1, 2008**

(51) **LOC (9) Cl.** **14-01**

(52) **U.S. Cl.** **D14/228**

(58) **Field of Classification Search** D14/225, D14/226, 227, 228, 229; 181/158, 242; D17/10, D17/99; D21/513; 446/416; 455/95, 128; 381/157, 158, 181, 355-360, 369, 361
See application file for complete search history.

FIG. 2 is a front view thereof;

FIG. 3 is a right side view thereof;

FIG. 4 is a rear view thereof;

FIG. 5 is a left side view thereof;

FIG. 6 is a top view thereof;

FIG. 7 is a bottom view thereof;

FIG. 8 is a front right perspective view of a microphone showing a second embodiment of our new design;

FIG. 9 is a front view thereof;

FIG. 10 is a right side view thereof;

FIG. 11 is a rear view thereof;

FIG. 12 is a left side view thereof;

FIG. 13 is a top view thereof; and,

FIG. 14 is a bottom view thereof.

The dash-dot-dash broken line showing immediately adjacent to the shaded area in the figures represents an unclaimed boundary of the design. The dot-dot-dot broken line showing of the remainder of the microphone in the figures is for illustrative purposes only and forms no part of the claimed design.

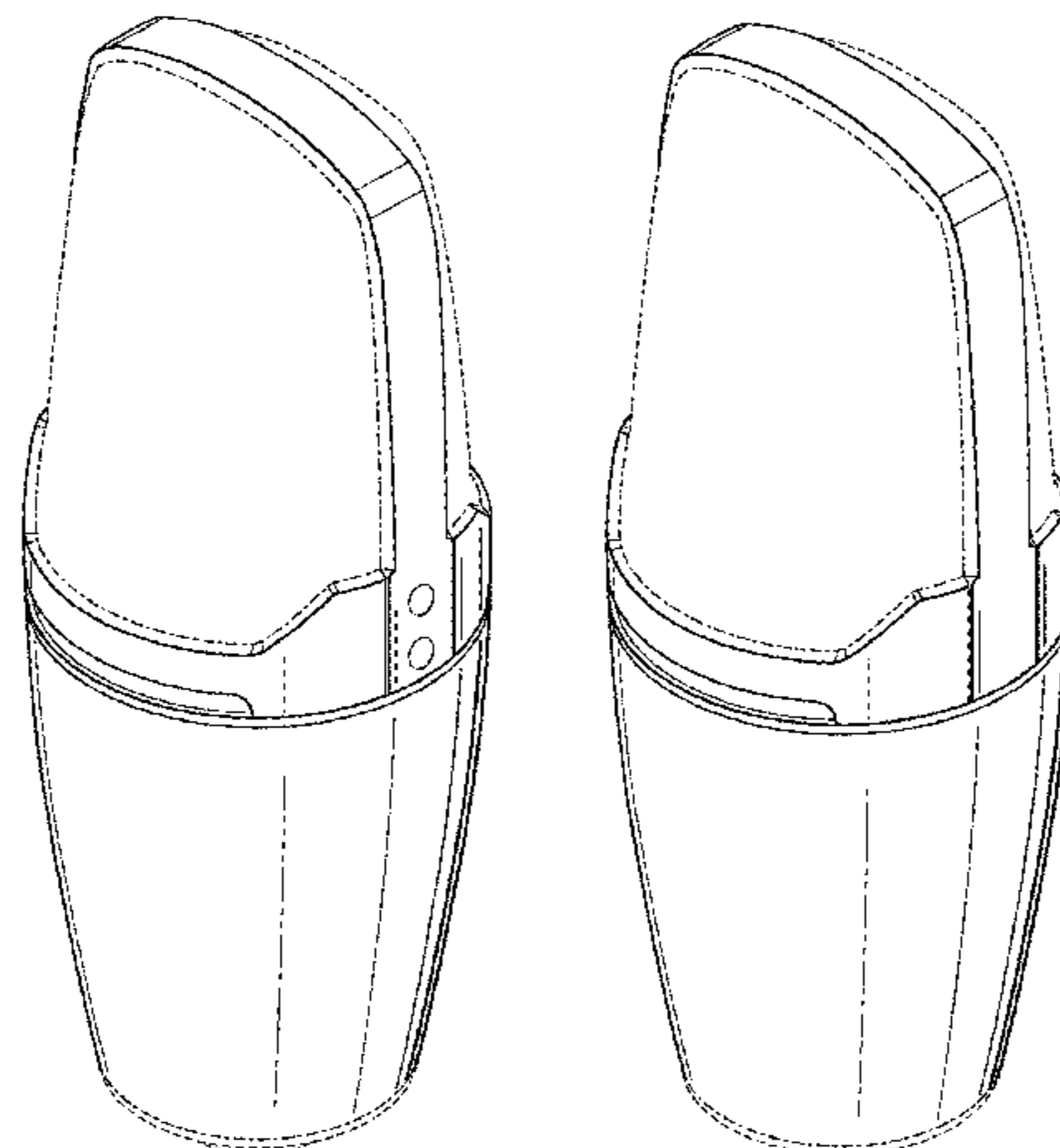
(56) **References Cited**

U.S. PATENT DOCUMENTS

| | | | | | | |
|-----------|---|---|---------|------------------|-------|---------|
| D155,270 | S | * | 9/1949 | Burroughs et al. | | D14/227 |
| D171,055 | S | * | 12/1953 | Schell, Jr. | | D14/225 |
| D190,864 | S | | 7/1961 | Deschamps | | |
| D190,865 | S | | 7/1961 | Levy et al. | | |
| D205,403 | S | | 8/1966 | Wilson | | |
| 3,265,153 | A | | 8/1966 | Burroughs | | |
| D220,108 | S | * | 3/1971 | van de Poel | | D14/228 |
| D247,707 | S | | 4/1978 | Armstrong | | |
| D292,701 | S | * | 11/1987 | Drever | | D14/228 |
| D300,821 | S | | 4/1989 | Kubota | | |
| D300,822 | S | | 4/1989 | Kubota | | |

(Continued)

1 Claim, 12 Drawing Sheets



U.S. PATENT DOCUMENTS

| | | | |
|------------|-----------|---------------|---------------|
| D300,823 S | 4/1989 | Kubota | |
| D300,855 S | 4/1989 | Kay | |
| D302,819 S | 8/1989 | Kubota | |
| D376,803 S | 12/1996 | Lee | |
| D400,540 S | * 11/1998 | Cruver et al. | D14/228 |
| D447,131 S | * 8/2001 | Hough et al. | D14/228 |
| D516,546 S | * 3/2006 | Sobol | D14/228 |
| D535,645 S | * 1/2007 | Probst | D14/225 |
| D551,661 S | * 9/2007 | Probst et al. | D14/225 |

OTHER PUBLICATIONS

Advertisement for audio-technica AT 3525 microphone, 1998.
 Advertisement for AKG Acoustics Solid Tube microphone, 1997.
 Advertisement for AKG Acoustics C 414 B microphone, 1995.
 Advertisement for AKG Acoustics C 12 VR microphone, Jul. 1997.
 Advertisement for Rode Classic microphone, 1997.
 Advertisement for Rode NT1 microphone, 1997.
 Advertisement for Neumann TLM 170 microphone, Mar. 1996.
 Advertisement for Neumann U 87 Ai microphone, 1995.
 Advertisement for Electro-Voice RE2000 microphone, 1995.
 Advertisement for audio-technica AT 4060 microphone, 1998.
 Advertisement for audio-technica AT 4050/CM5 and AT4033a microphones, 1995.
 Advertisement for Conneaut Audio Devices e-100, e-200, and e-300 microphones, 1997.
 Advertisement for Conneaut Audio Devices VSM-1 microphone, 1998.
 Advertisement for Audio-technica AT 4047/SV microphone, 1999.
 Advertisement for AKG Acoustics C 3000 B microphone, Mar. 2000.
 Advertisement for AKG Acoustics Perception 100 Large Diaphragm Condenser Microphone, date unknown but prior to one year before the filing date of present application.

Advertisement for AT3035 Cardioid Condenser Microphone, date unknown but prior to one year before the filing date of present application.
 Advertisement for Rode NT2 microphone, 1997.
 Advertisement for Blue (Baltic Latvian Universal Electronics) Blueberry, Cranberry, and Kiwi microphones, 1998.
 Advertisement for Conneaut Audio Devices e-100, e-200, and e-300 microphones, 1997.
 Advertisement for Neumann M147 microphone, Apr. 1999.
 Advertisement for Conneaut Audio Devices M 177 microphone, 1999.
 Advertisement for Alesis/GT AM51, AM52, AM61, and AM62 microphones, Oct. 1998.
 Advertisement for AKG Acoustics C 4000 B microphone, Jan. 1999.
 Advertisement for AKG Acoustics Perception 100 Large Diaphragm Condenser Microphone, date unknown but prior to one year before the filed of present application.
 Advertisement for AT3035 Cardioid Condenser Microphone, date unknown but prior to one year before the filed of present application.
 Advertisement for Rode NT2 microphone, 1997.
 Steve La Cerra, Blue The Mouse Microphone, EQ, Mar. 2000, p. 136.
 Advertisement for Blue (Baltic Latvian Universal Electronics) Blueberry, Cranberry, and Kiwi microphones, 1998.
 Advertisement for Neumann M149 microphone, Mar. 1998.
 Rick, Auricchio, BPM Studio Technik CR-10, CR-95, and TB-95 condenser mics, Recording, Jun. 1998.
 Advertisement for Conneaut Audio Devices M 277VP microphone, 1999.
 Advertisement for Microtech Gefell UMT 800 microphone; Mix magazine, Apr. 1998.
 Advertisement for Marshall Electronics MXL 2001 microphone, www.mars-cam.com, Aug. 1999.
 Advertisement for Electro-Voice RE2000 microphone, 1995.

* cited by examiner

Fig. 1

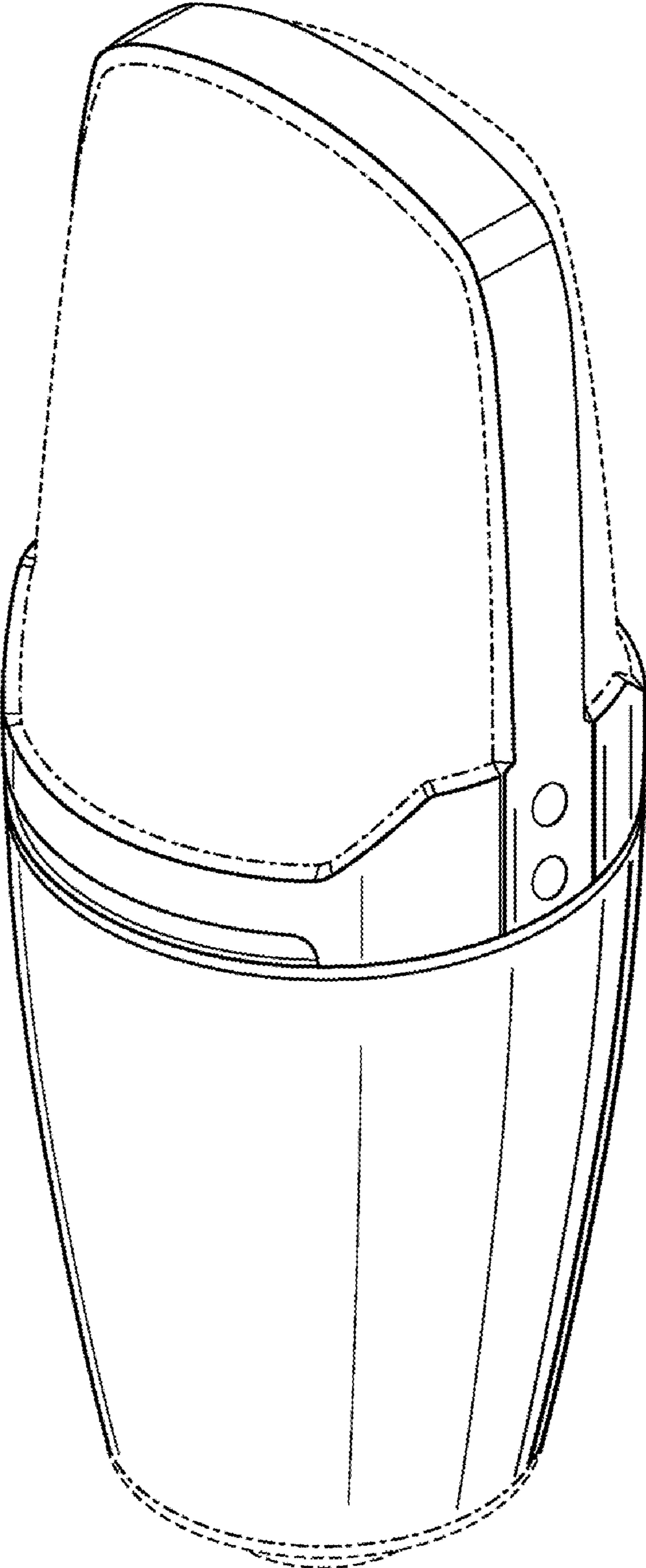


Fig. 2

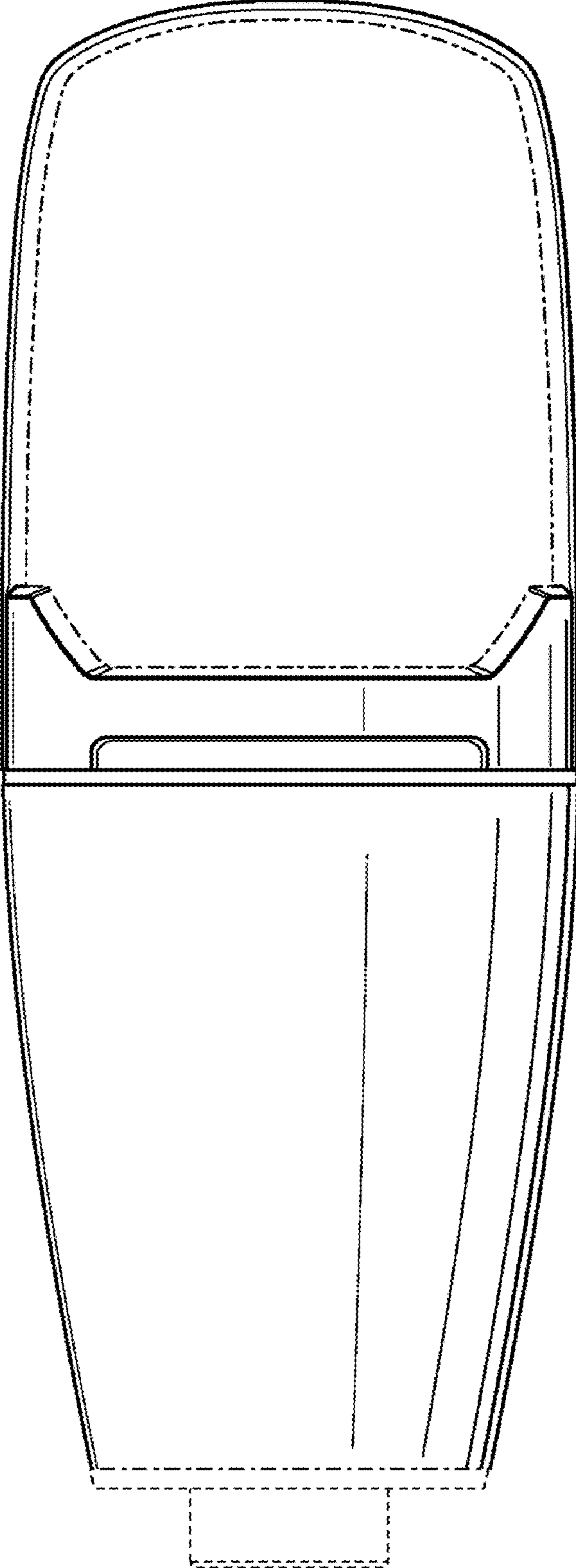


Fig. 3

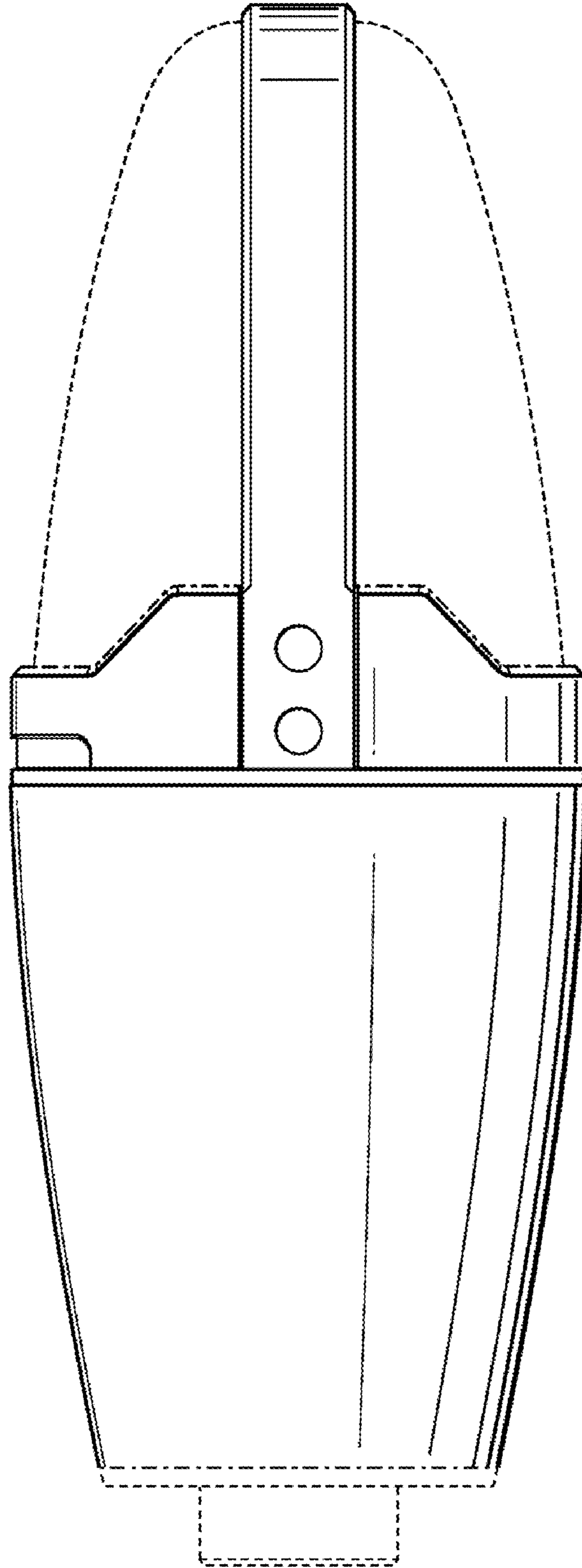


Fig. 4

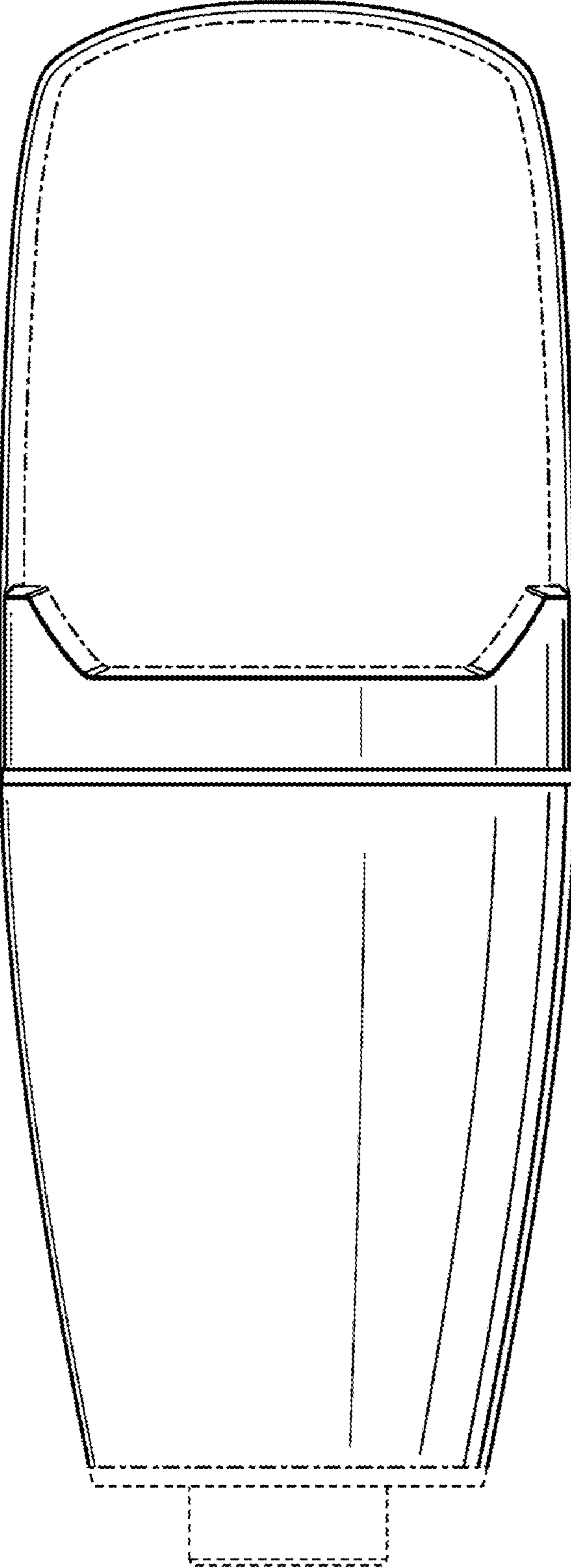


Fig. 5

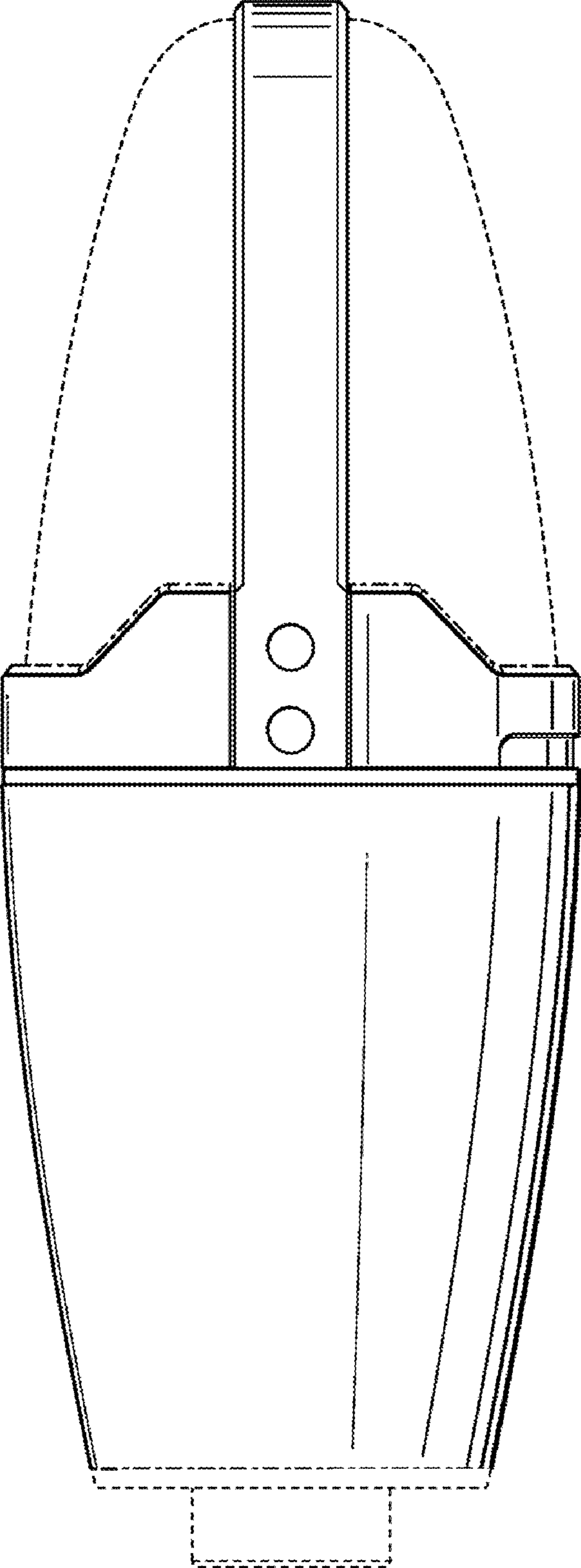


Fig. 6

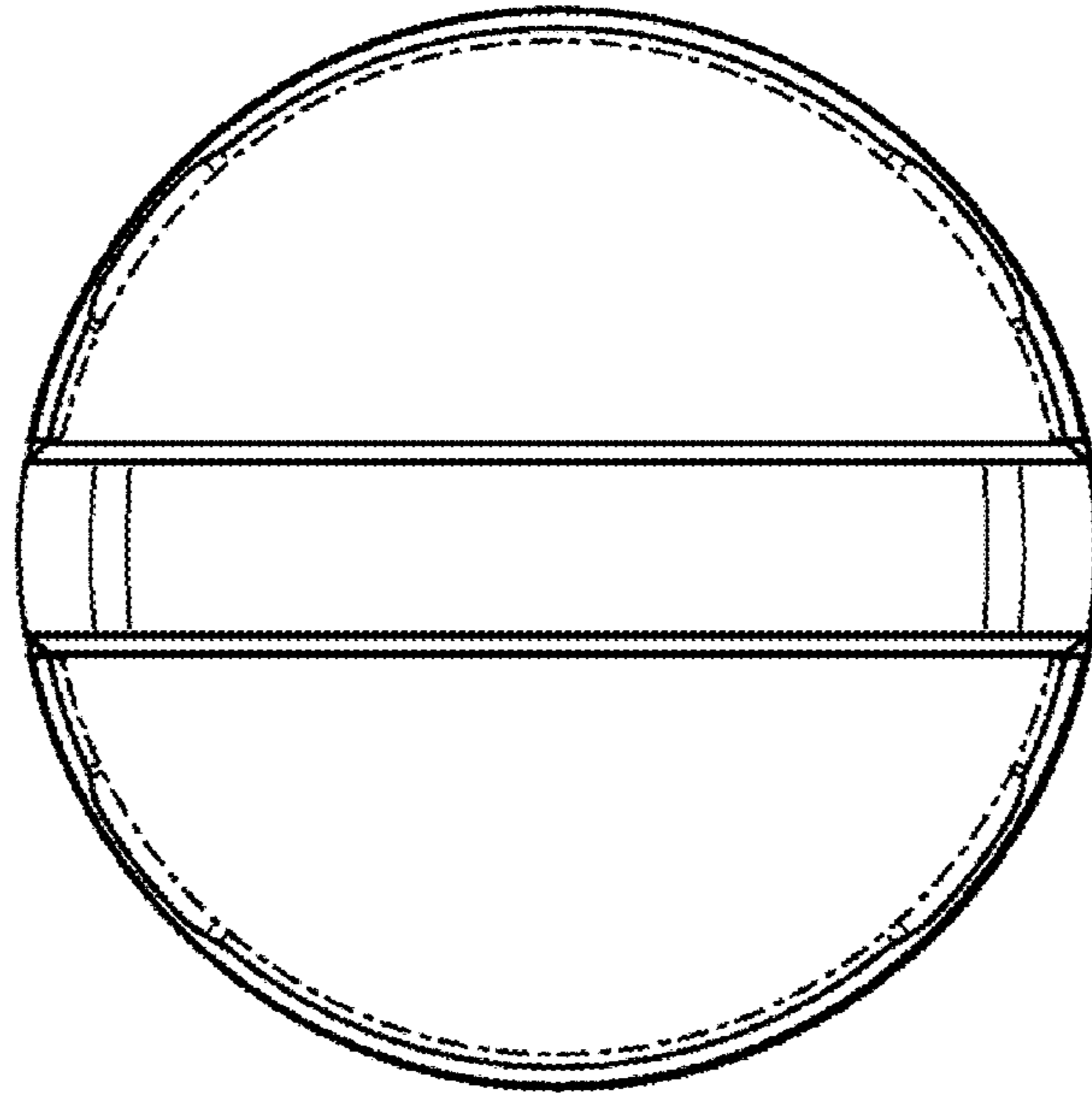


Fig. 7

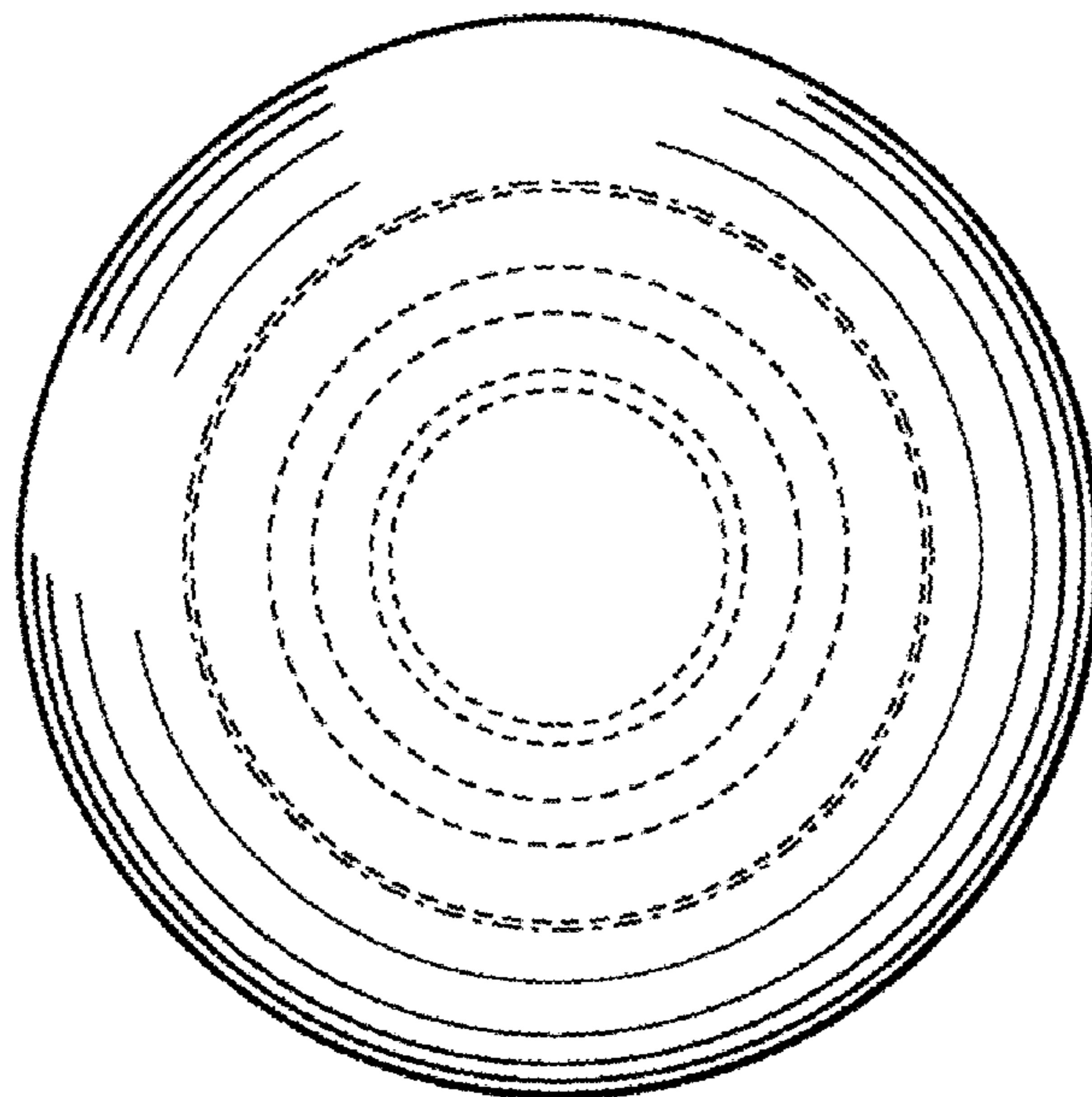


Fig. 8

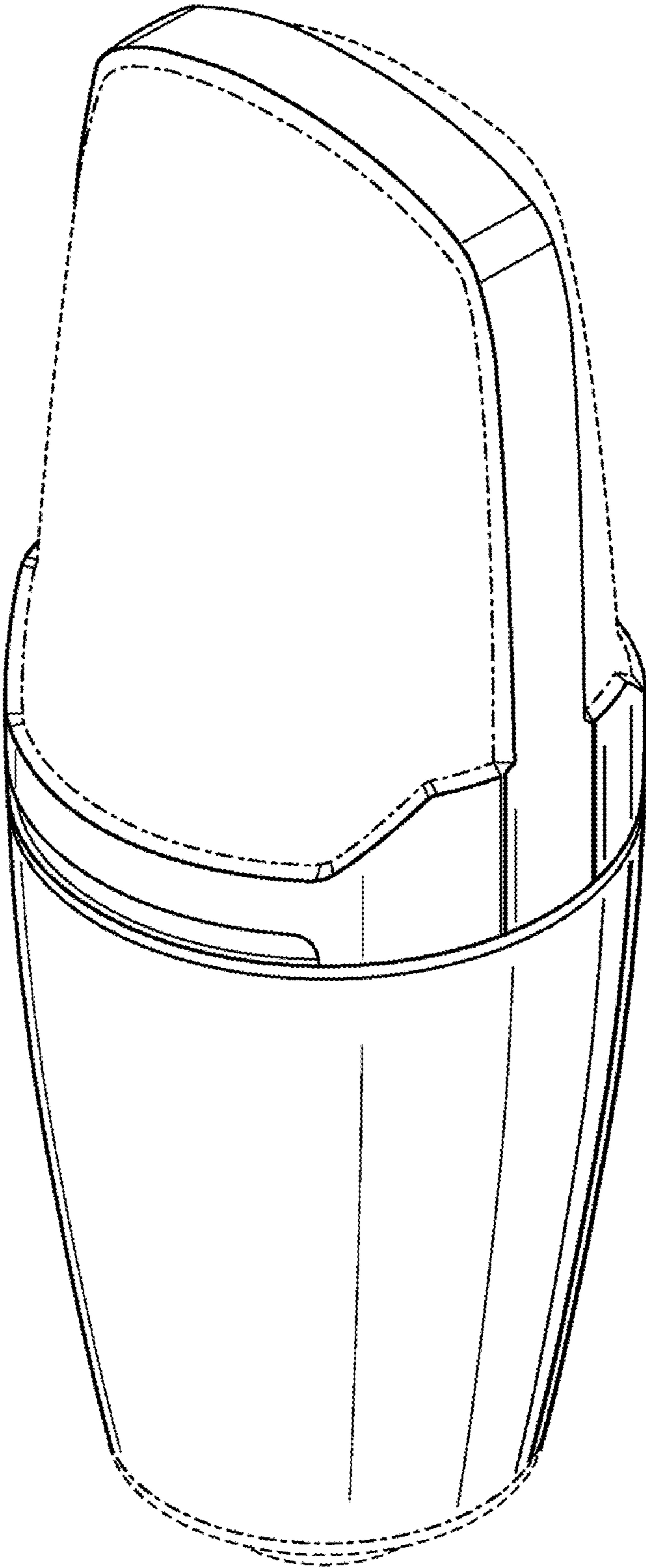


Fig. 9

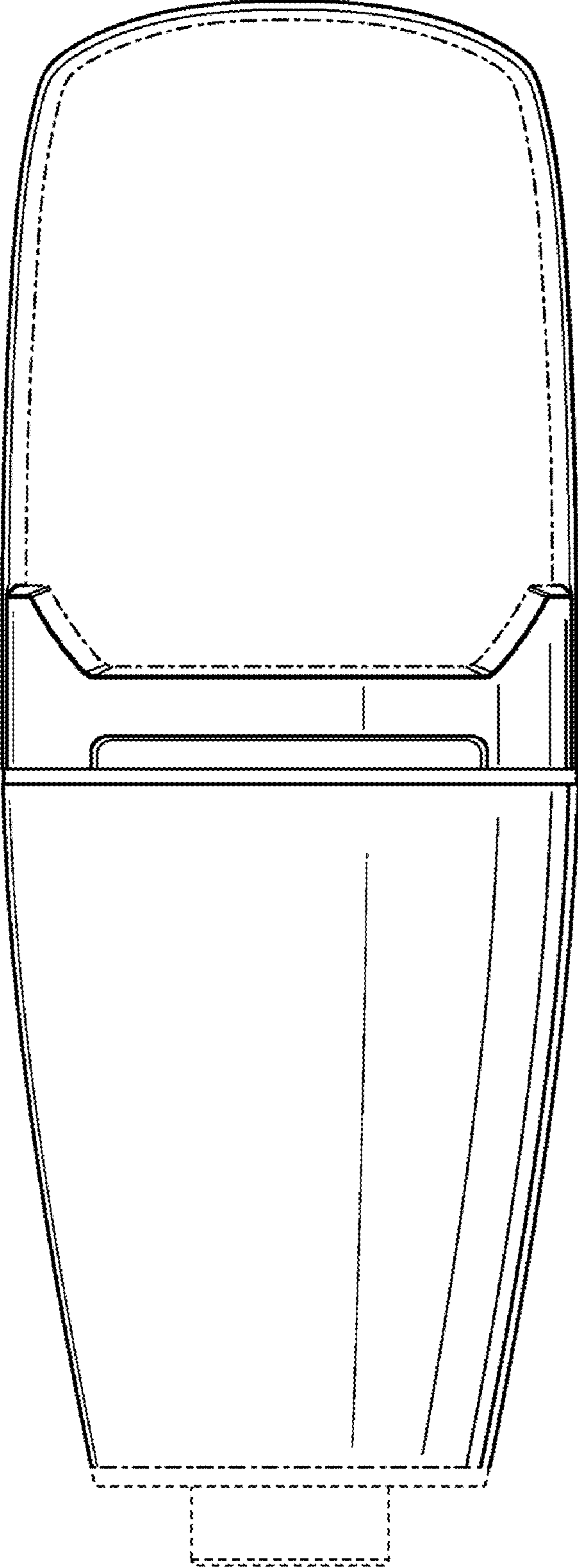


Fig. 10

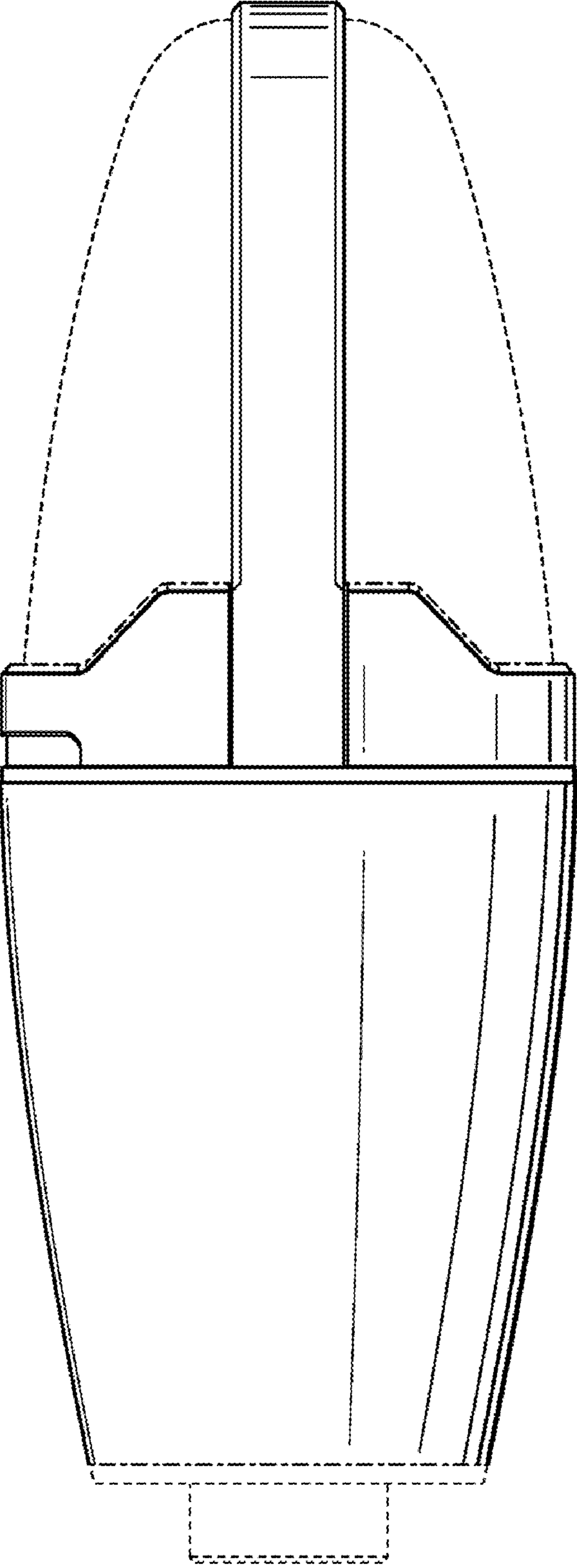


Fig. 11

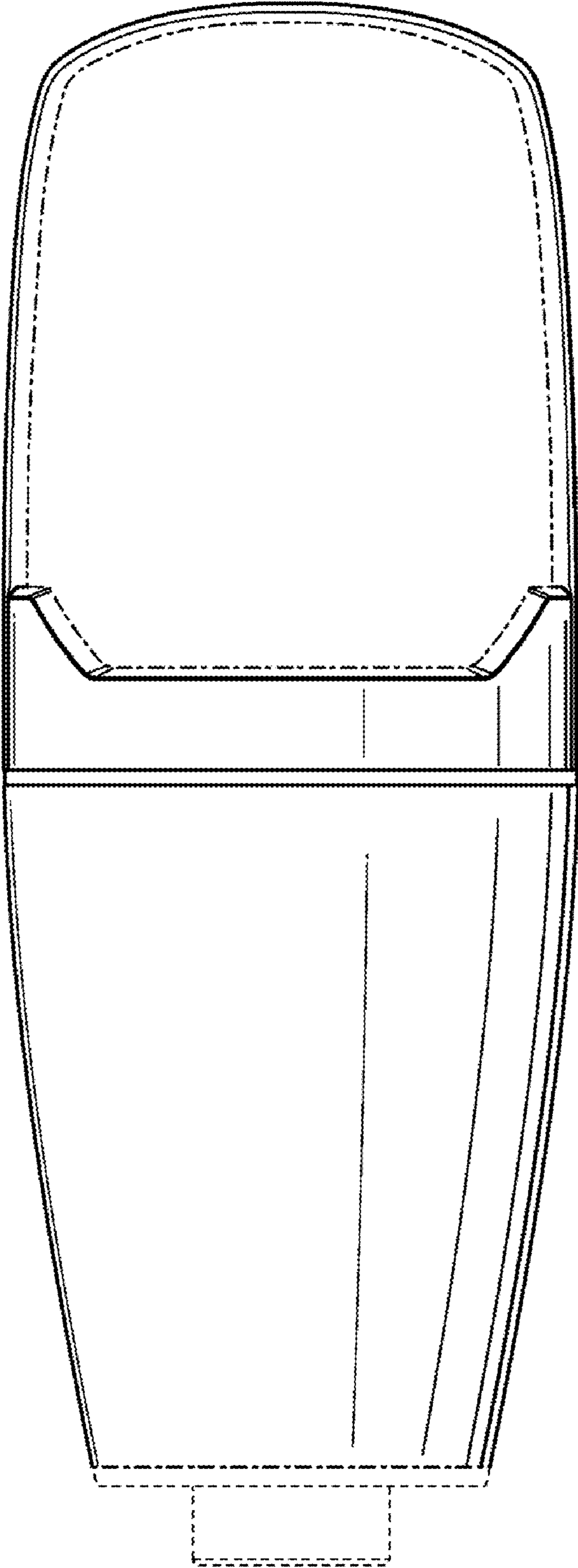


Fig. 12

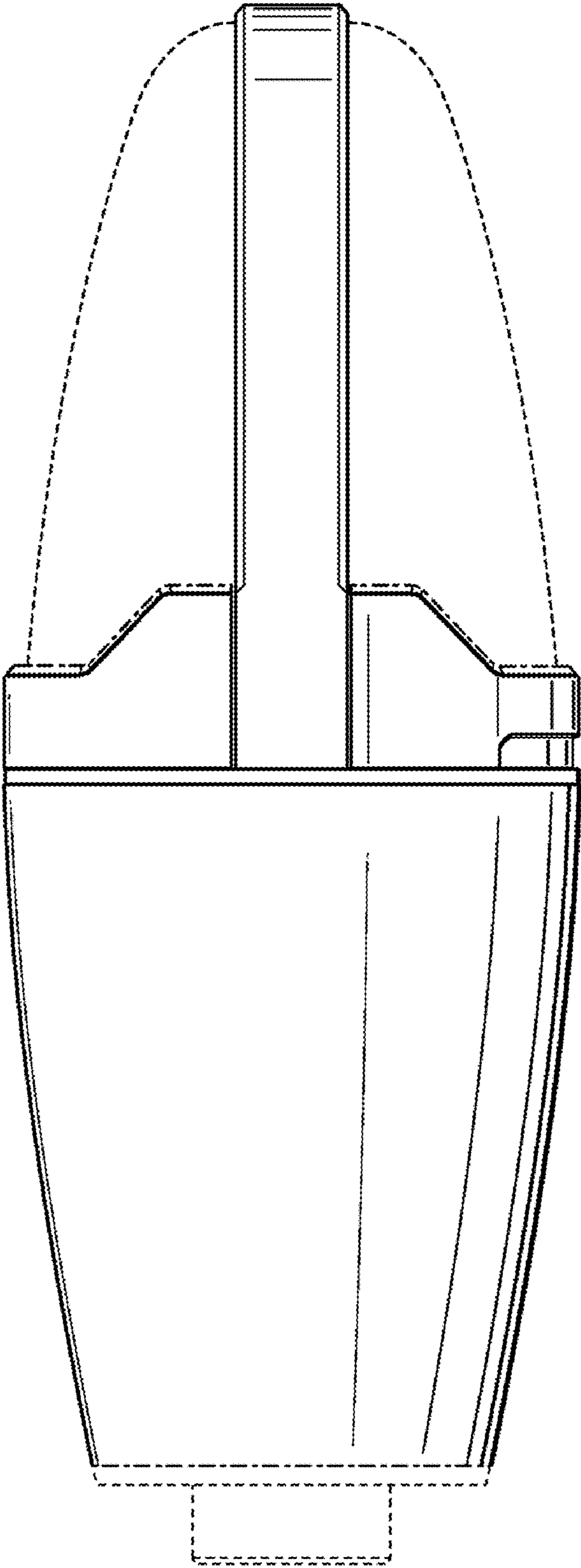


Fig. 13

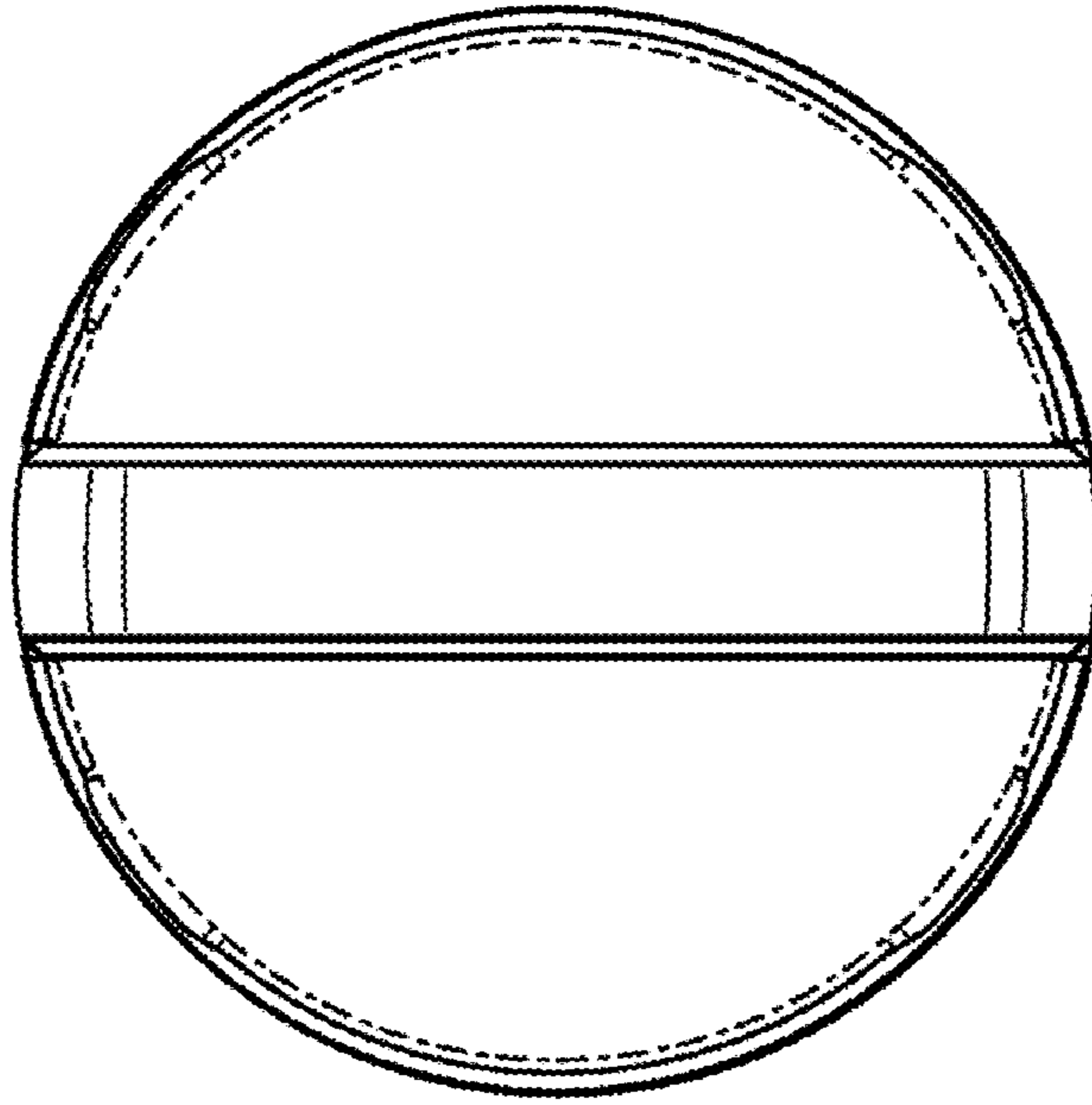


Fig. 14

