



US00D603843S

(12) **United States Design Patent**  
**Einaudi et al.**

(10) **Patent No.:** **US D603,843 S**

(45) **Date of Patent:** **\*\* Nov. 10, 2009**

(54) **ENTERTAINMENT DEVICE REMOTE CONTROL**

(75) Inventors: **Andrew Einaudi**, San Francisco, CA (US); **Gadi Amit**, San Mateo, CA (US); **Inbal Etgar**, San Francisco, CA (US)

(73) Assignee: **EchoStar Technologies, L.L.C.**, Englewood, CO (US)

(\*\*) Term: **14 Years**

(21) Appl. No.: **29/334,603**

(22) Filed: **Mar. 30, 2009**

(51) **LOC (9) Cl.** ..... **14-03**

(52) **U.S. Cl.** ..... **D14/218**

(58) **Field of Classification Search** ..... D14/218, D14/455; D13/168; D21/566; D10/104, D10/106; 345/169; 348/14.05, 114, 211.99, 348/734; 340/825.24; 341/22; 455/92, 95, 455/128, 151.1–151.4, 352, 355, FOR. 121; 700/65

See application file for complete search history.

(56) **References Cited**

**U.S. PATENT DOCUMENTS**

D365,101 S	*	12/1995	Gioscia	.....	D14/218
D365,102 S	*	12/1995	Gioscia	.....	D14/218
D368,718 S	*	4/1996	Starck	.....	D14/218
D375,271 S	*	11/1996	Battah	.....	D10/104
D392,641 S	*	3/1998	Fenner	.....	D14/218
D416,261 S	*	11/1999	Gerba et al.	.....	D14/218
D429,714 S	*	8/2000	Lytel	.....	D14/147

D430,861 S	*	9/2000	Lytel	.....	D14/147
D435,544 S	*	12/2000	Gioscia	.....	D14/218
D463,388 S	*	9/2002	Thomsen	.....	D14/148
D485,547 S	*	1/2004	Olson et al.	.....	D14/218
D498,748 S	*	11/2004	Borsboom	.....	D14/218
D532,779 S	*	11/2006	Kim et al.	.....	D14/218
D597,082 S	*	7/2009	Bang et al.	.....	D14/218

**OTHER PUBLICATIONS**

Samsung Remote control, date unknown.

\* cited by examiner

*Primary Examiner*—T. Chase Nelson

*Assistant Examiner*—John Windmuller

(74) *Attorney, Agent, or Firm*—Max S. Gratton

(57) **CLAIM**

The ornamental design for an entertainment device remote control, as shown and described.

**DESCRIPTION**

FIG. 1 is a perspective view of the top of entertainment device remote control showing our new design;

FIG. 2 is a top view thereof;

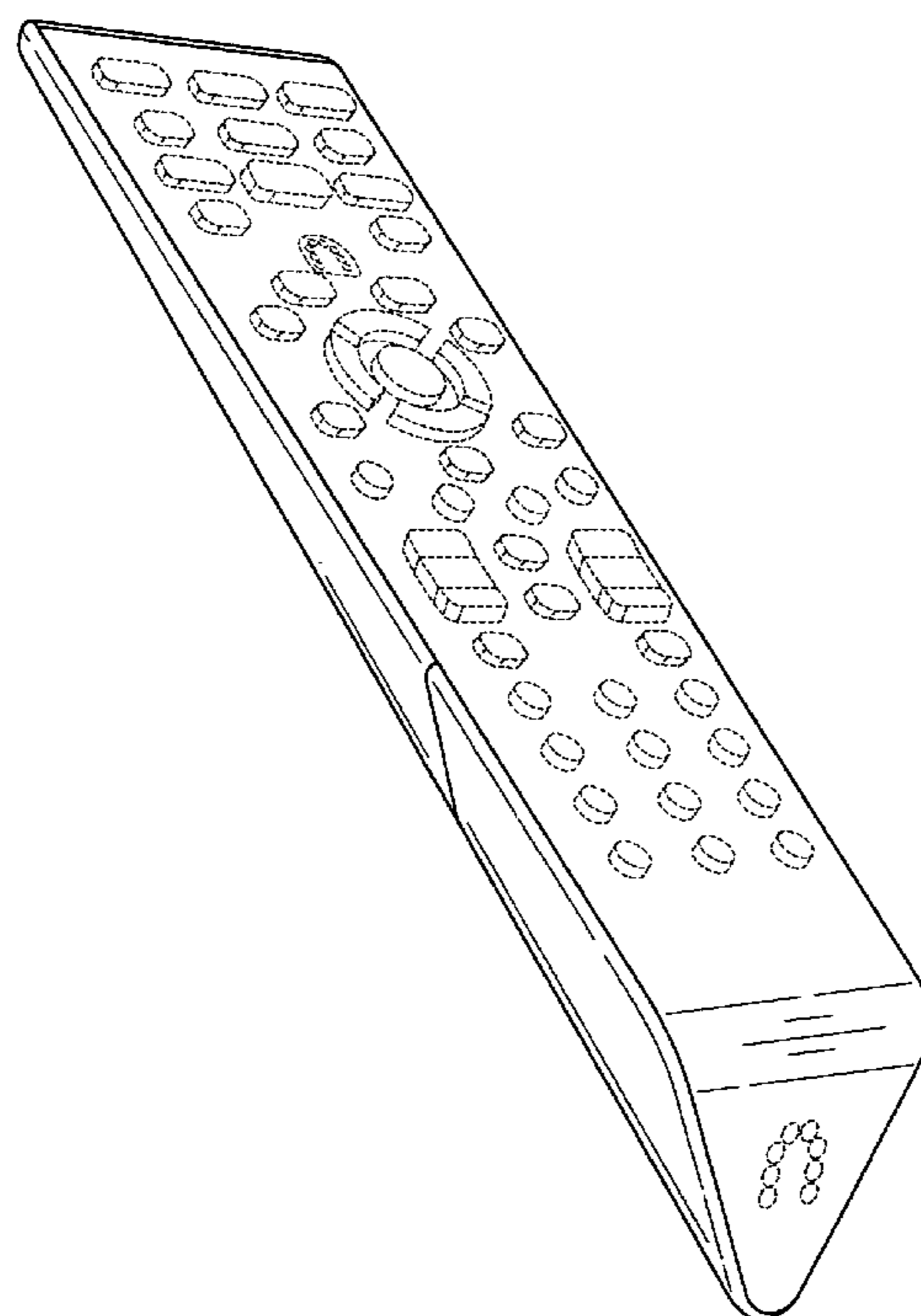
FIG. 3 is a left side view thereof;

FIG. 4 is a bottom view thereof; and,

FIG. 5 is a perspective view of the bottom of entertainment device remote control.

In the drawings, the broken-line buttons depict environmental subject matter only and form no part of the claimed design.

**1 Claim, 5 Drawing Sheets**



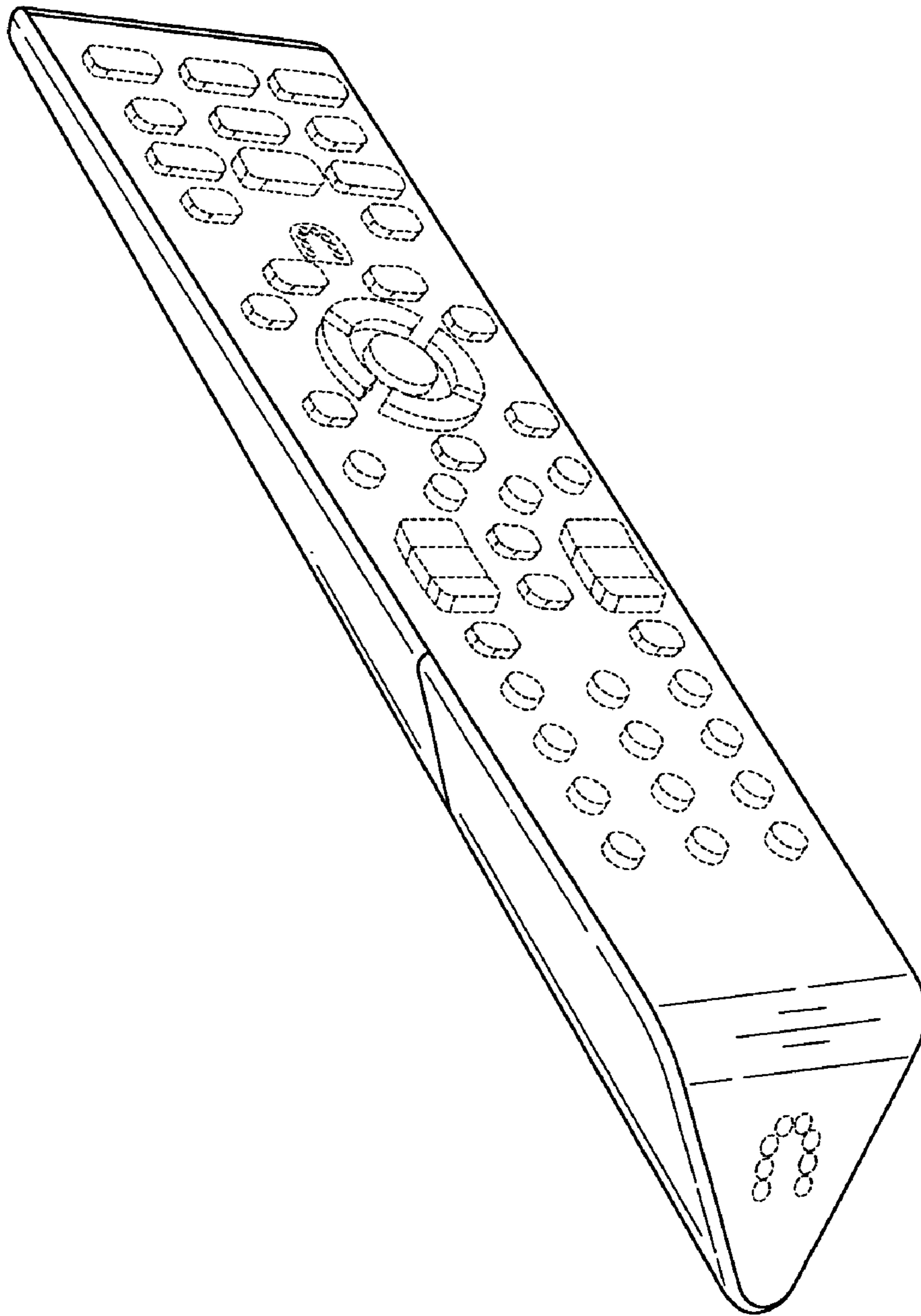


FIG. 1

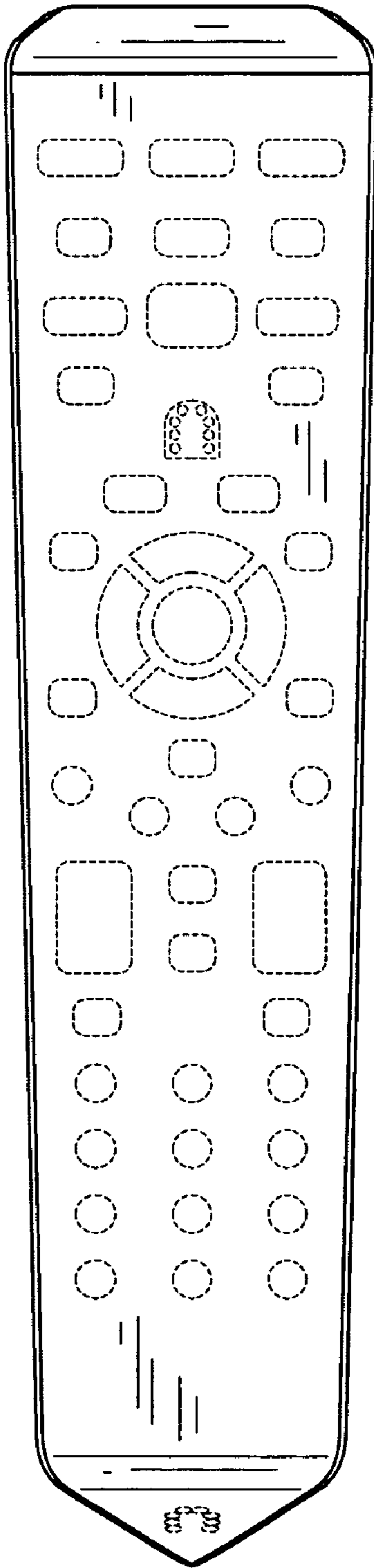


FIG. 2

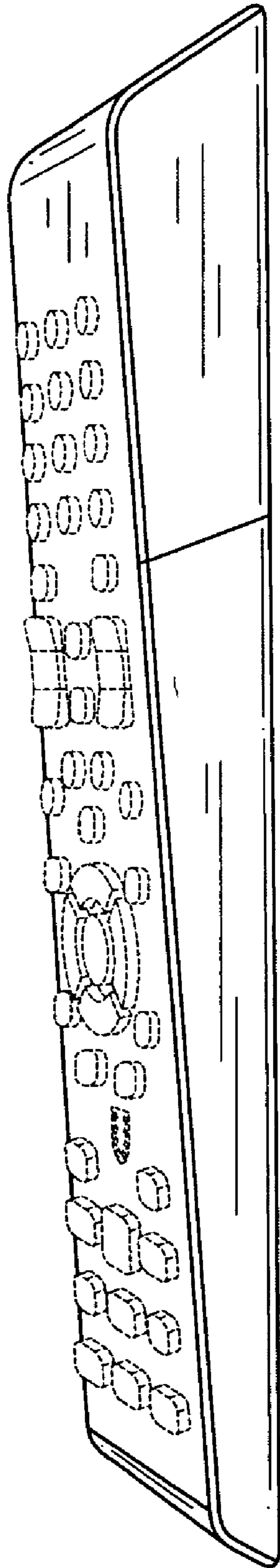


FIG. 3

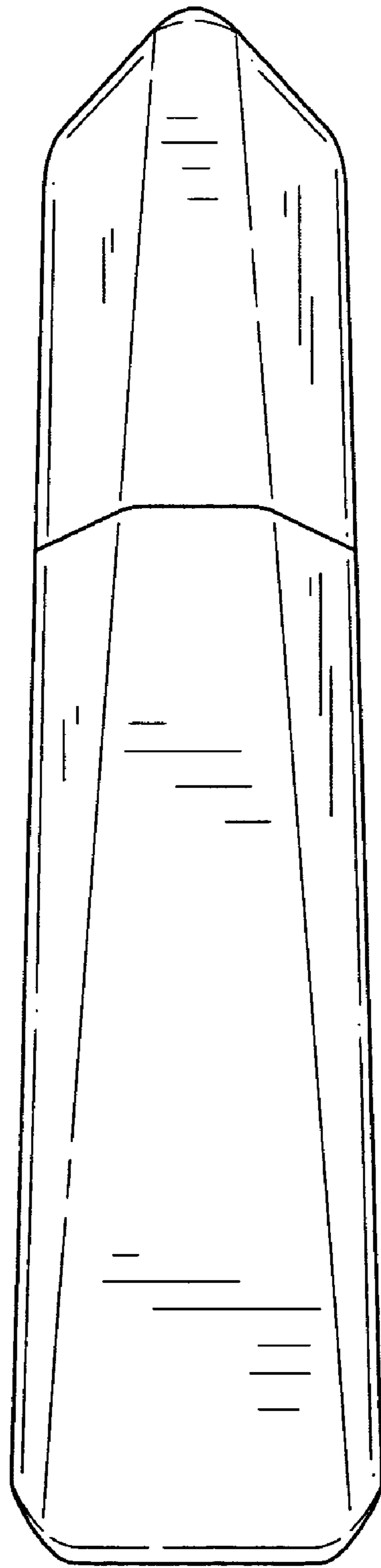


FIG.4

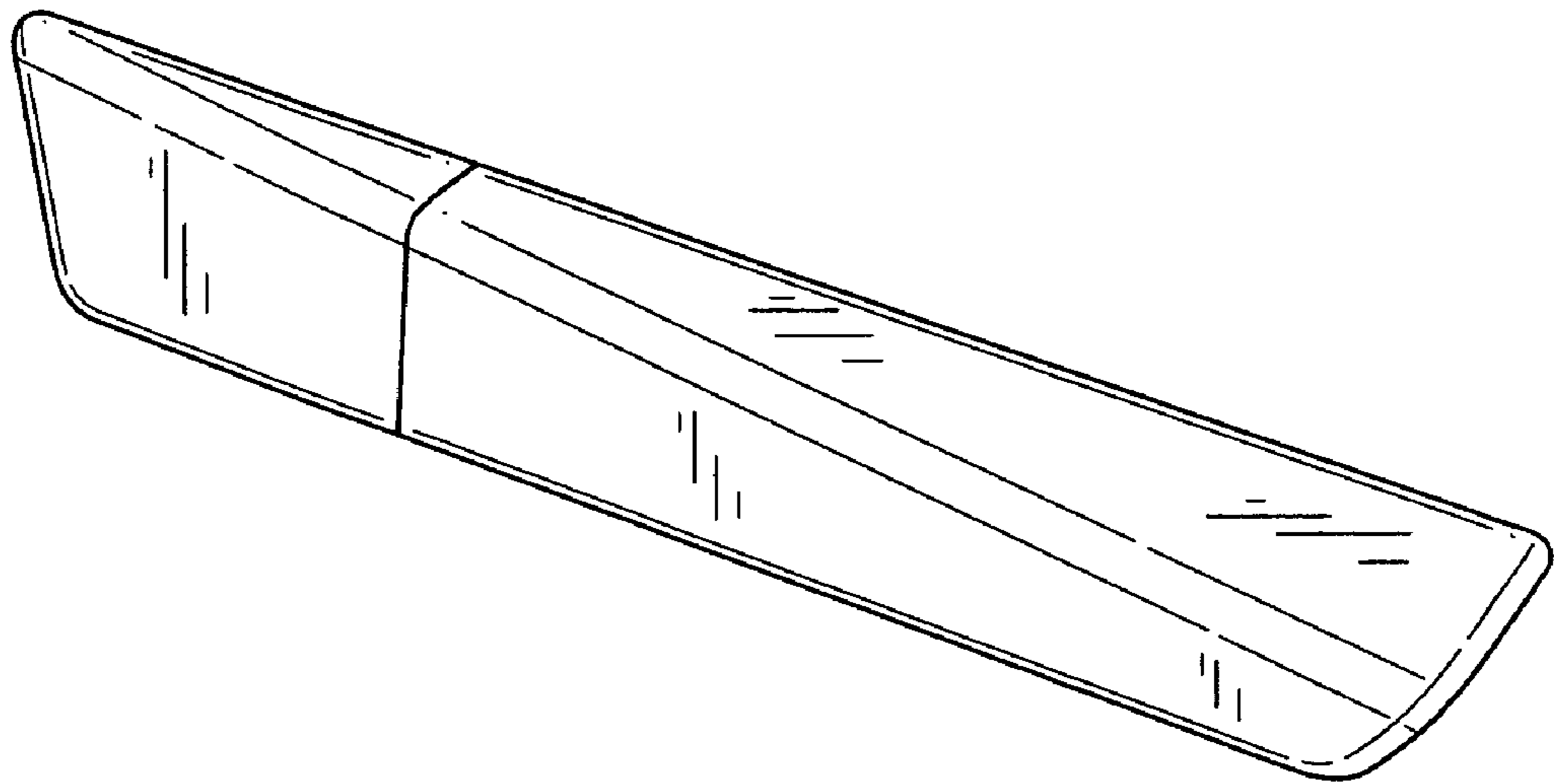


FIG.5