



US00D603839S

(12) **United States Design Patent**
Willis

(10) **Patent No.:** **US D603,839 S**

(45) **Date of Patent:** **** *Nov. 10, 2009**

(54) **RACECAR DOCKING STATION FOR MEDIA PLAYER**

(75) Inventor: **Lavetta Willis**, Los Angeles, CA (US)

(73) Assignee: **LL International Shoe Company, Inc.**, Encino, CA (US)

(*) Notice: This patent is subject to a terminal disclaimer.

(**) Term: **14 Years**

(21) Appl. No.: **29/326,311**

(22) Filed: **Oct. 15, 2008**

(51) **LOC (9) Cl.** **14-03**

(52) **U.S. Cl.** **D14/217; D21/549**

(58) **Field of Classification Search** D14/142, D14/149, 155, 157, 188, 191-193, 203.1-203.8, D14/204, 217, 251, 253, 432-435.1, 447, D14/451, 474, 480.1-480.7, 496; D13/107, D13/108, 118; D3/218; 248/221.11, 309.1; 320/107, 110, 113-115; 361/600, 679, 683, 361/686; 439/529, 534; 455/556.1-556.2, 455/557; D21/424, 433, 483, 533, 548-550
See application file for complete search history.

(56) **References Cited**

U.S. PATENT DOCUMENTS

D305,758 S *	1/1990	Wilson	D14/248
D330,203 S *	10/1992	Yeh	D14/217
D337,117 S *	7/1993	Yeh	D14/217
D419,207 S *	1/2000	Lieberman	D21/549
D428,874 S *	8/2000	White	D14/207
D437,309 S *	2/2001	Brennan	D14/218
D438,529 S *	3/2001	Brennan	D14/189
D461,049 S *	8/2002	White	D3/218
D487,887 S *	3/2004	Hutchinson	D14/508
D518,739 S *	4/2006	Dreggors	D10/12

D543,471 S *	5/2007	Hancock	D10/12
D549,645 S *	8/2007	Prelec, Sr.	D13/108
D551,037 S *	9/2007	Mandel	D7/702
D554,711 S *	11/2007	Yuen	D21/548
D591,611 S *	5/2009	Wilburn	D9/675

OTHER PUBLICATIONS

FarEastGizmos.com, "Corgi launches Exos musing docking station for Apple's iPod," http://www.fareeastgizmos.com/mp3/corgi_launches_exos_music_docking_station_for_apples_ipod.php, dated Jan. 31, 2007, accessed May 7, 2009, 1 pg.*

* cited by examiner

Primary Examiner—Stella M Reid

Assistant Examiner—Keli L Hill

(74) *Attorney, Agent, or Firm*—Seth D. Levy; Davis Wright Tremaine LLP

(57) **CLAIM**

The ornamental design for a racecar docking station for a media player, as shown.

DESCRIPTION

FIG. 1 is a perspective view of a racecar docking station for a media player of the present invention;

FIG. 2 is a front view thereof;

FIG. 3 is a rear view thereof;

FIG. 4 is a right side view thereof;

FIG. 5 is a left side view thereof;

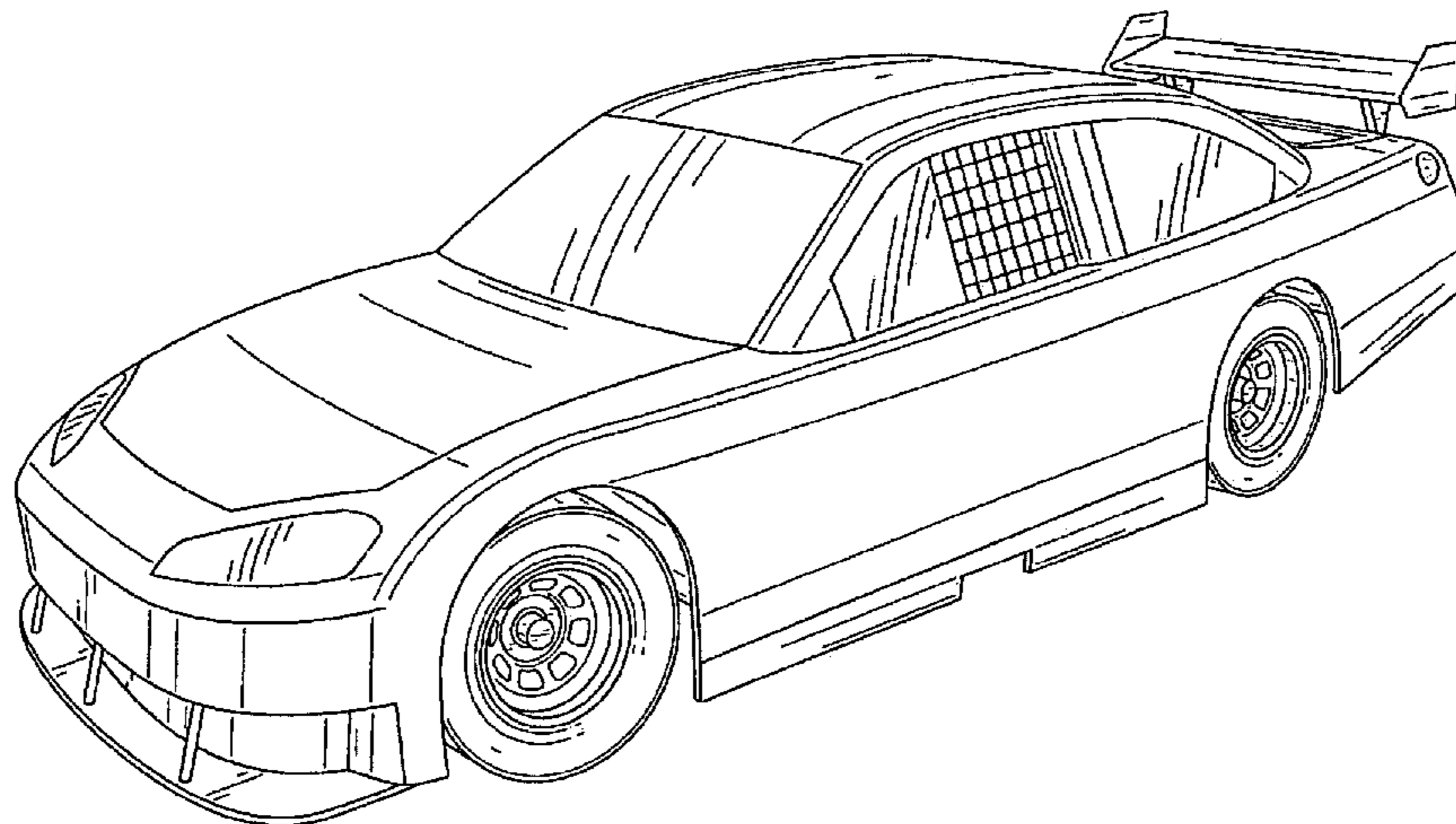
FIG. 6 is a top view thereof;

FIG. 7 is a bottom view thereof; and,

FIG. 8 is a perspective view thereof with a media player shown in dotted lines.

The broken lines represent the portions of the design that form no part of the claim.

1 Claim, 7 Drawing Sheets



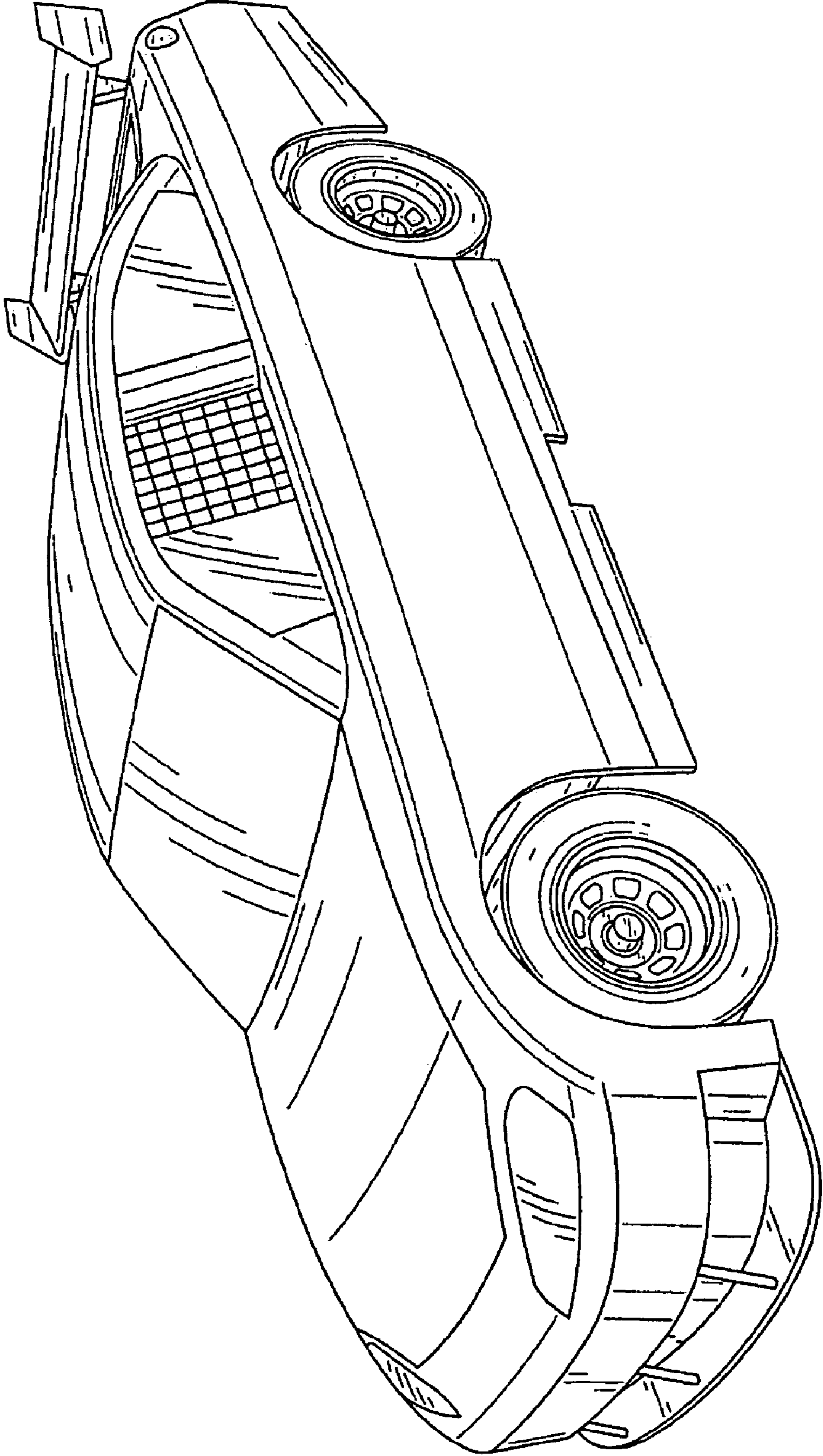


FIG. 1

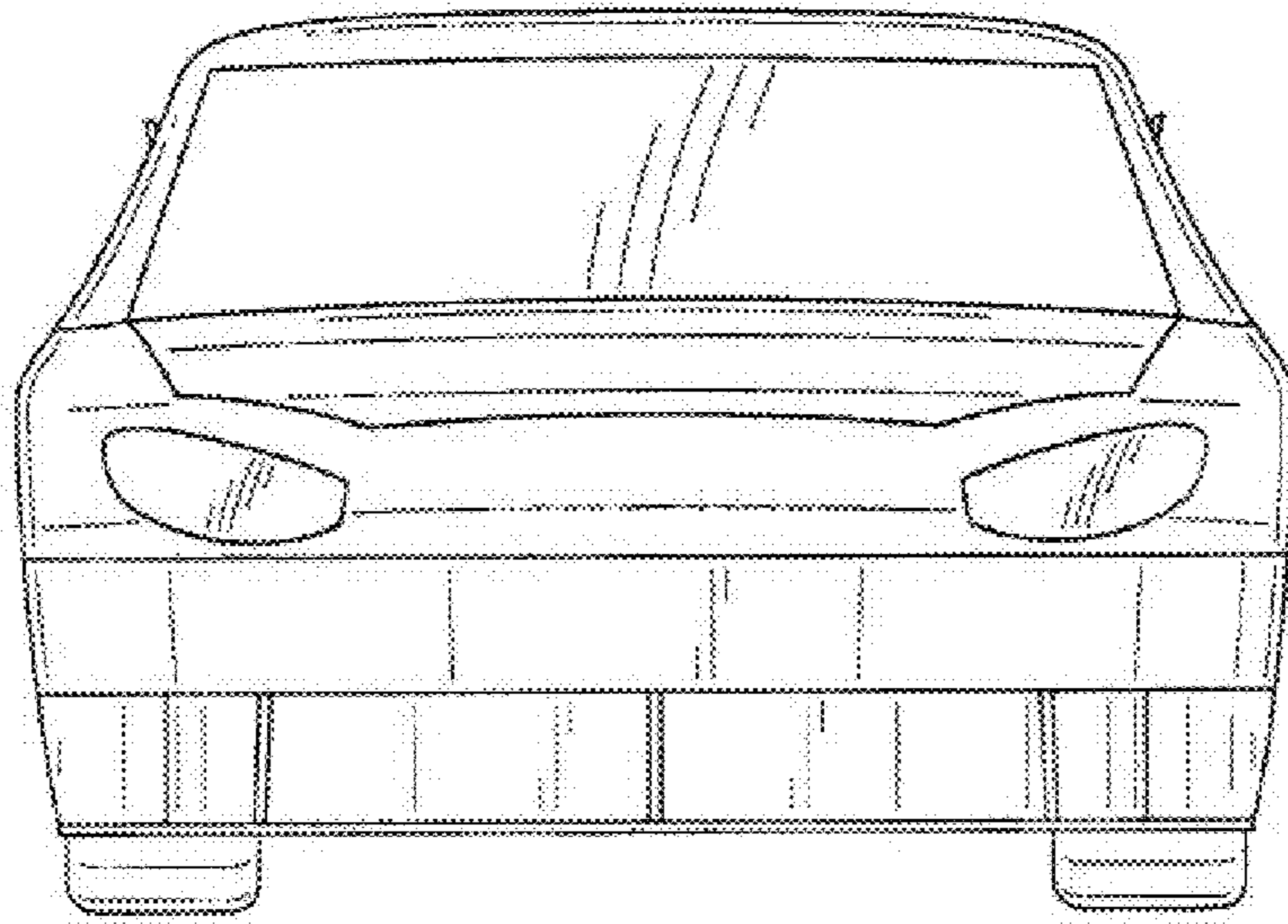


FIG. 2

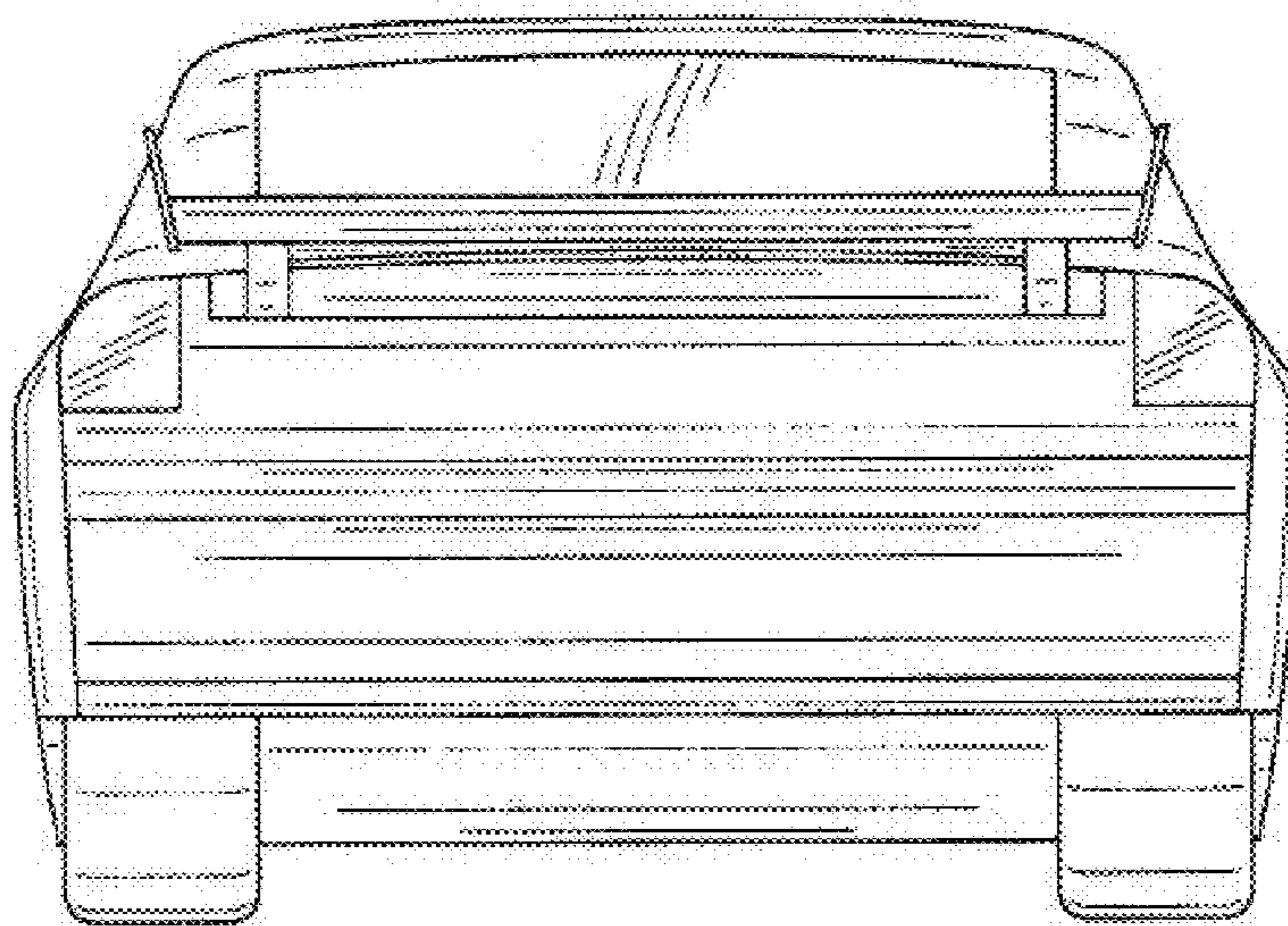


FIG. 3

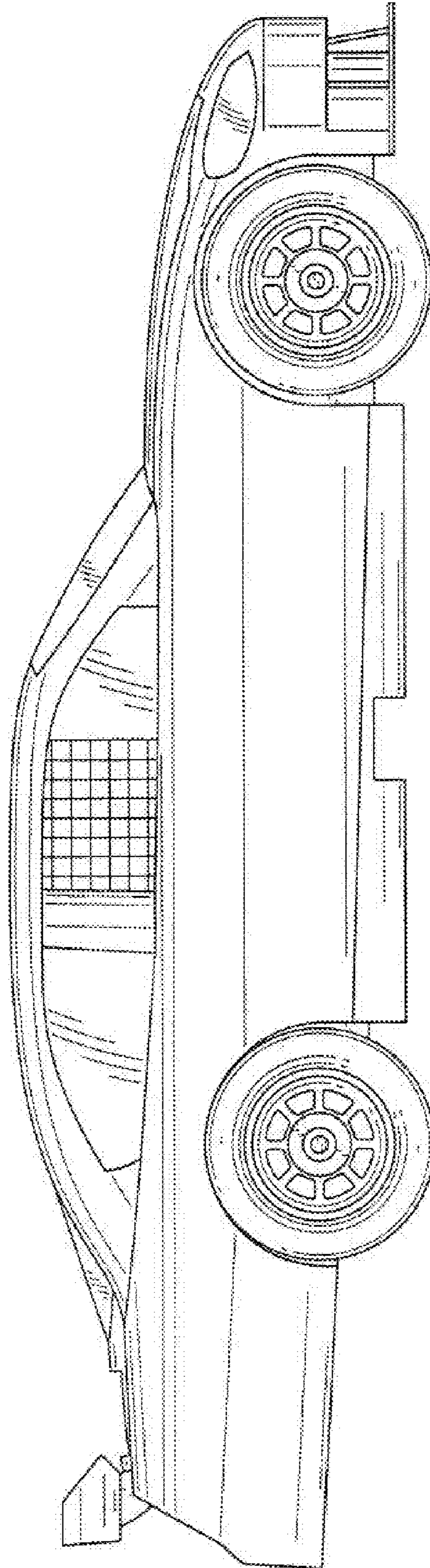


FIG. 4

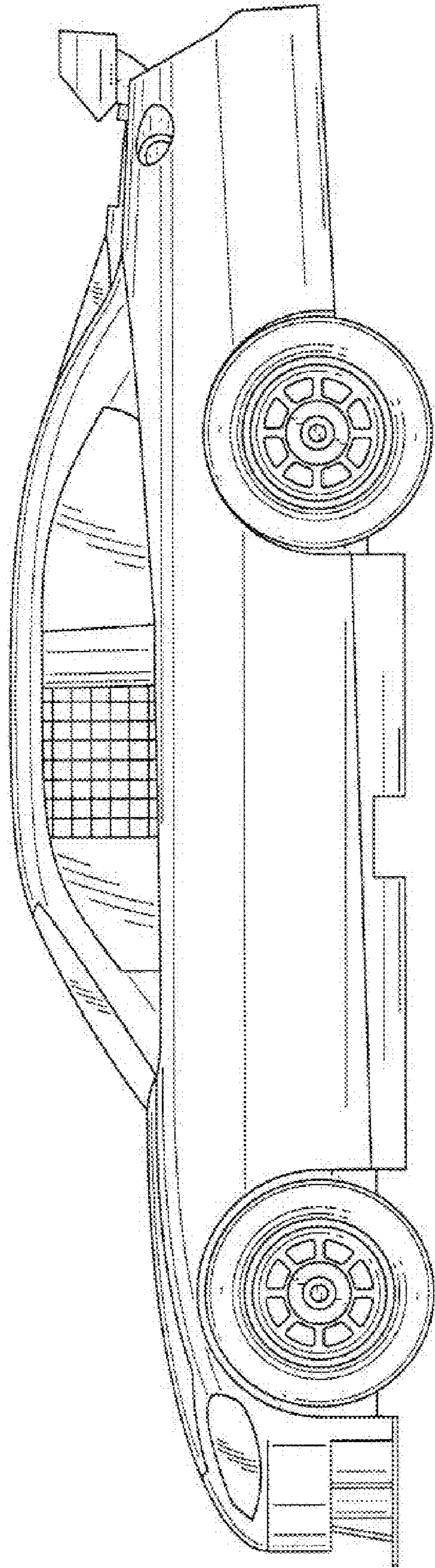


FIG. 5

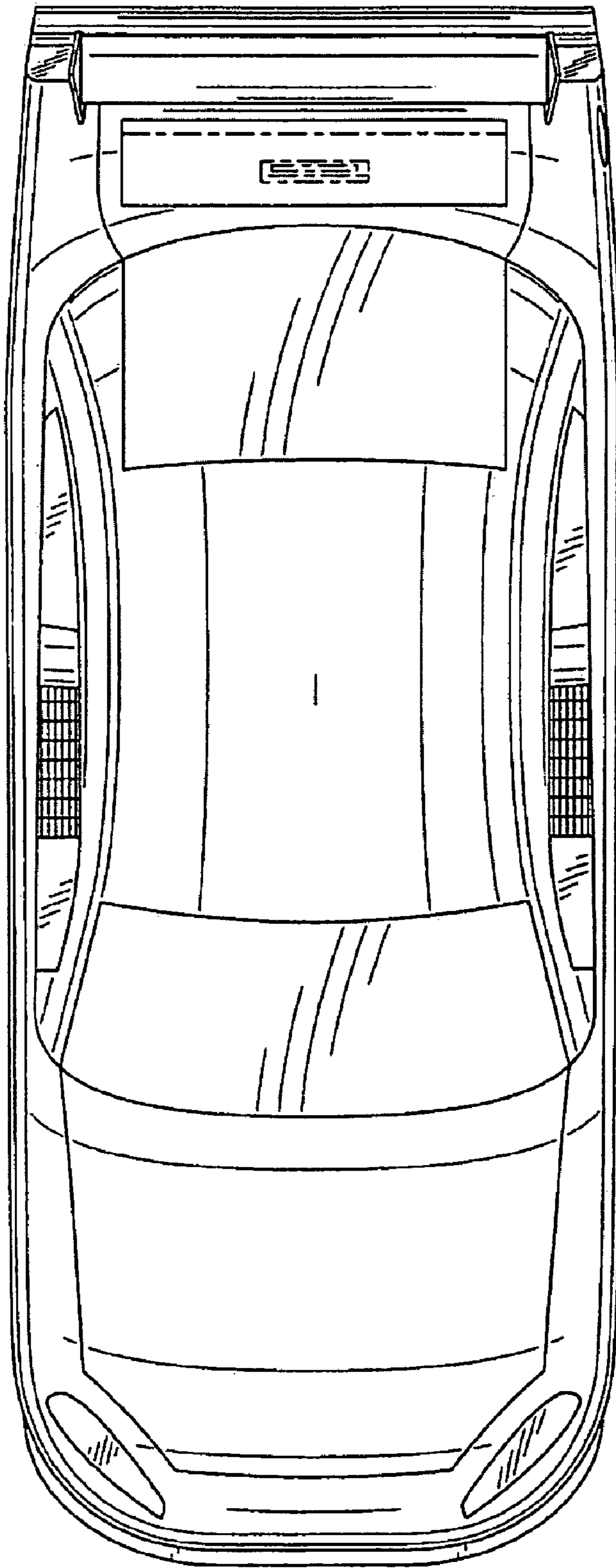


FIG. 6

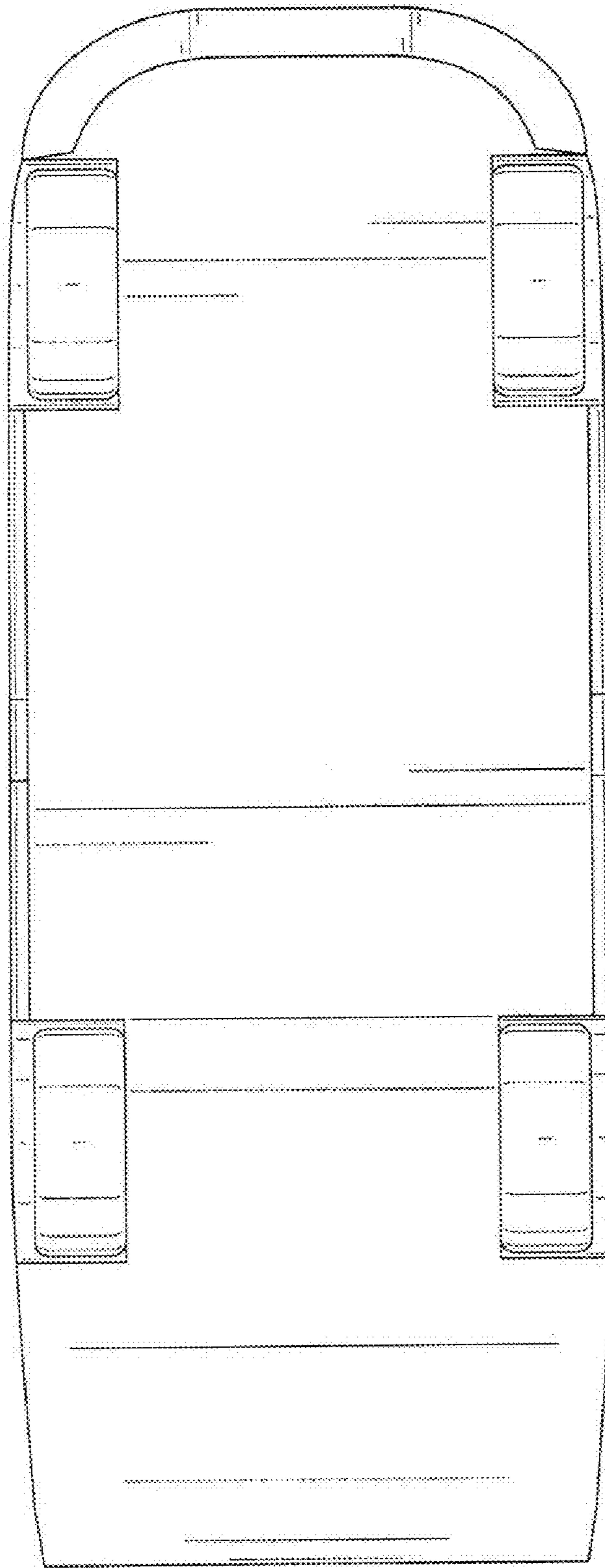


FIG. 7

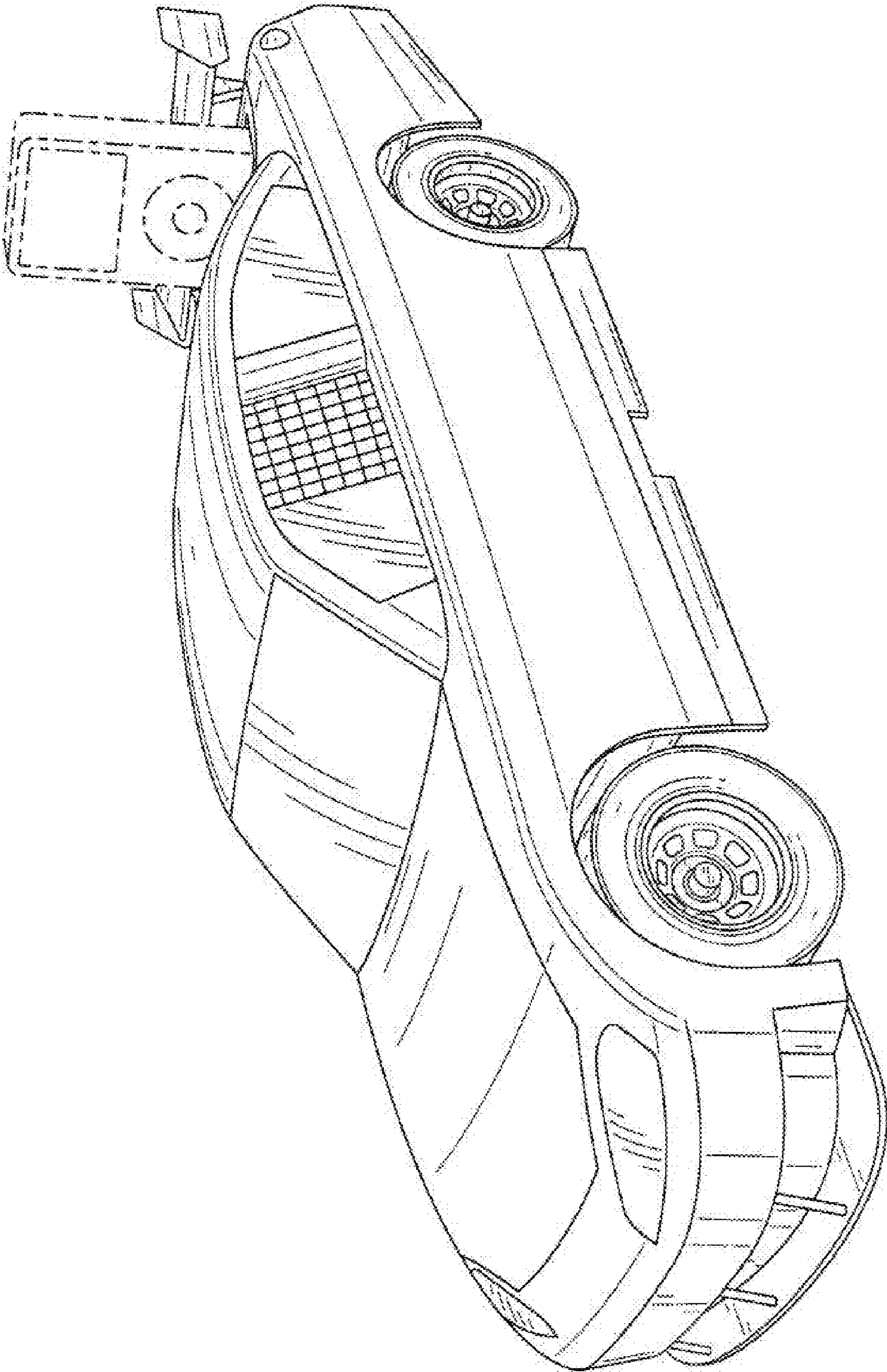


FIG. 8