



US00D603837S

(12) **United States Design Patent**
Martin

(10) **Patent No.:** **US D603,837 S**

(45) **Date of Patent:** **** Nov. 10, 2009**

(54) **HEADPHONE ASSEMBLY**

(75) Inventor: **Michael Joseph Martin**, Los Angeles, CA (US)

(73) Assignee: **V-Moda, LLC**, Hollywood, CA (US)

(**) Term: **14 Years**

(21) Appl. No.: **29/330,406**

(22) Filed: **Jan. 6, 2009**

(51) **LOC (9) Cl.** **14-01**

(52) **U.S. Cl.** **D14/206**

(58) **Field of Classification Search** D14/205, D14/206, 223, 218, 192, 138, 188, 142; 181/129, 181/130, 135; 379/430, 433.05, 433.01, 379/438; D24/174; 128/864, 866, 867; 455/569.1, 455/575.2, 575.3

See application file for complete search history.

(56) **References Cited**

U.S. PATENT DOCUMENTS

2,504,307	A *	4/1950	Dalton	381/91
D230,280	S *	2/1974	Nygaard	D24/174
4,588,867	A *	5/1986	Konomi	379/430
D318,670	S *	7/1991	Taniguchi	D14/205
D326,655	S *	6/1992	Iribe	D14/192
5,222,151	A *	6/1993	Nagayoshi et al.	381/380
5,373,555	A *	12/1994	Norris et al.	379/430
D430,139	S *	8/2000	Peters et al.	D14/205
D435,036	S *	12/2000	Koss et al.	D14/223
D457,514	S *	5/2002	Marion et al.	D14/223
D462,945	S *	9/2002	Skulley	D14/218
D463,787	S *	10/2002	Beraut et al.	D14/218
D463,790	S *	10/2002	Beraut et al.	D14/223
D464,949	S *	10/2002	DeKalb et al.	D14/218
D465,476	S *	11/2002	Golding et al.	D14/238.1
D465,477	S *	11/2002	Beraut et al.	D14/218

D470,833	S *	2/2003	Rath et al.	D14/205
D473,217	S *	4/2003	Rivera	D14/223
D517,052	S *	3/2006	Skulley	D14/223
D533,866	S *	12/2006	Morisawa	D14/218
D552,595	S *	10/2007	Viduya et al.	D14/205
D567,217	S *	4/2008	Kamo et al.	D14/205
D567,218	S *	4/2008	Viduya et al.	D14/205
D572,703	S *	7/2008	Ledbetter et al.	D14/205
D572,706	S *	7/2008	Schaefer	D14/225
D574,361	S *	8/2008	Sasaki	D14/205
D576,154	S *	9/2008	Ledbetter et al.	D14/223
D587,681	S *	3/2009	Yanai	D14/205
D589,028	S *	3/2009	Haapapuro et al.	D14/206

* cited by examiner

Primary Examiner—Paula Greene

(74) *Attorney, Agent, or Firm*—Edwin Tarver; Larson & Tarver LLP

(57) **CLAIM**

The ornamental design for a headphone assembly, as shown and described.

DESCRIPTION

FIG. 1 is a perspective view of a headphone assembly according to the new design.

FIG. 2 is a front view of a headphone assembly according to the new design.

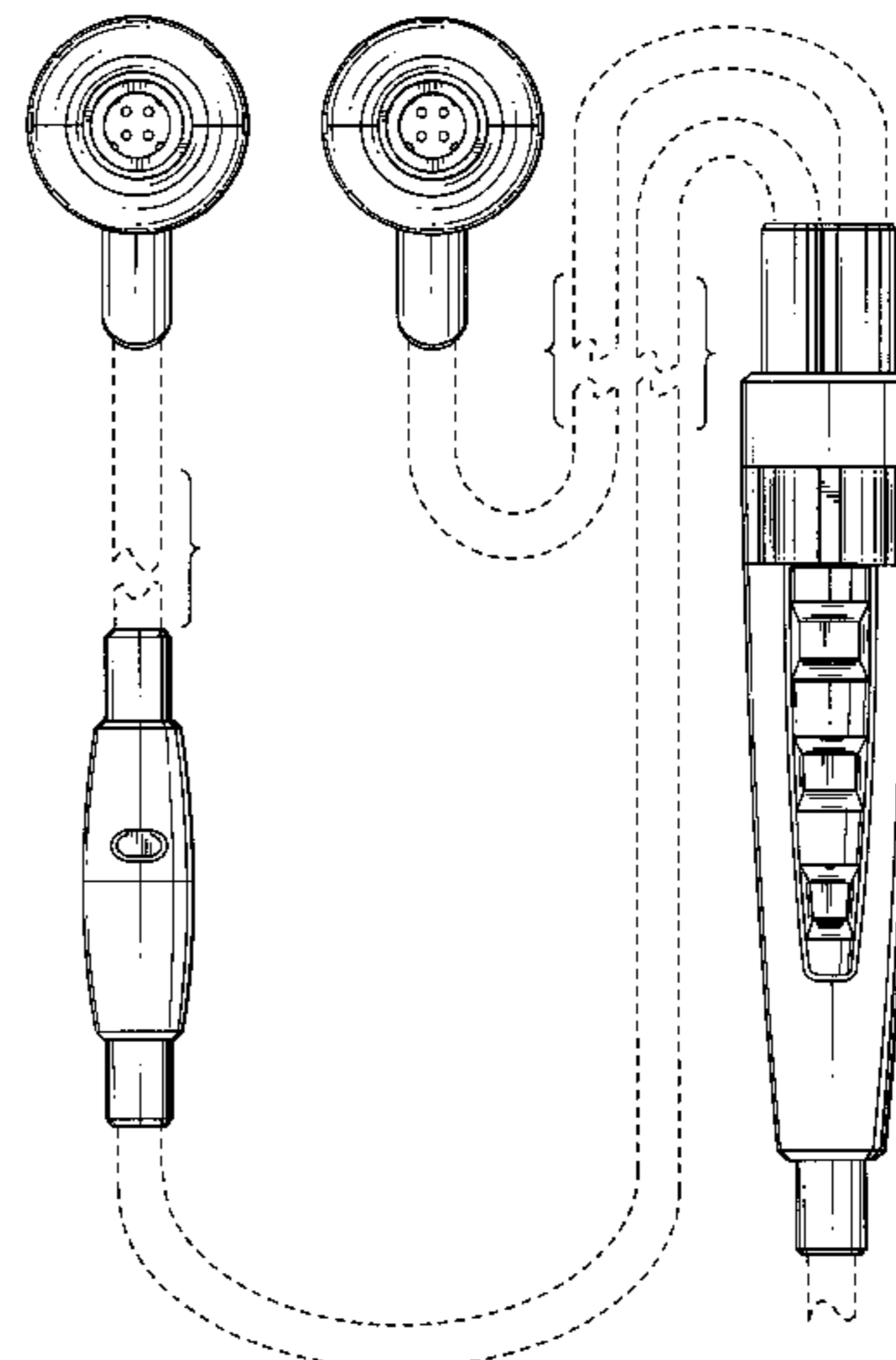
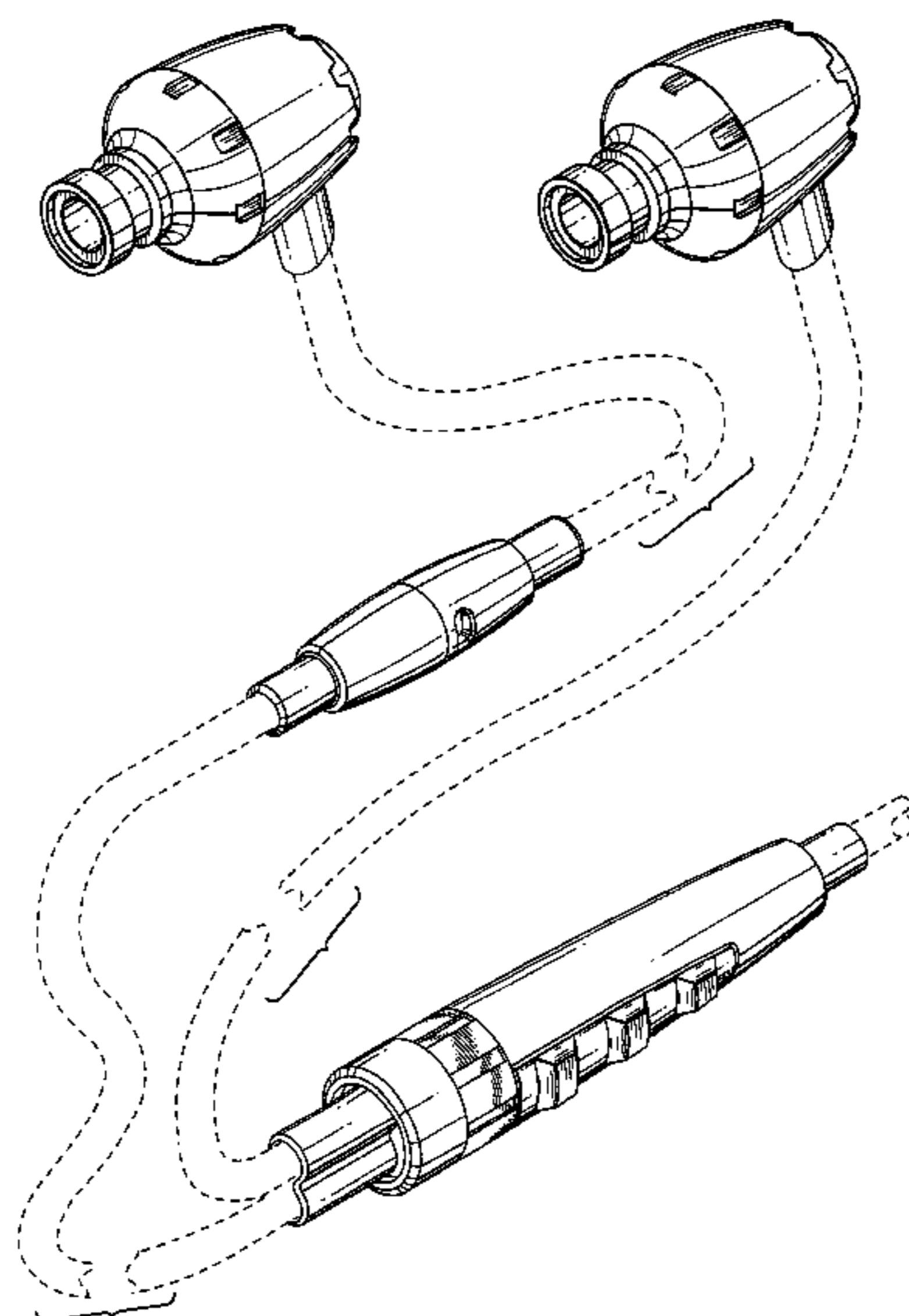
FIG. 3 is a rear view of a headphone assembly according to the new design.

FIG. 4 is a left side view of a headphone assembly according to the new design; and,

FIG. 5 is a right side view of a headphone assembly according to the new design.

Portions of the drawings shown in dashed line are for illustrative purposes only, and form no part of the claimed design.

1 Claim, 5 Drawing Sheets



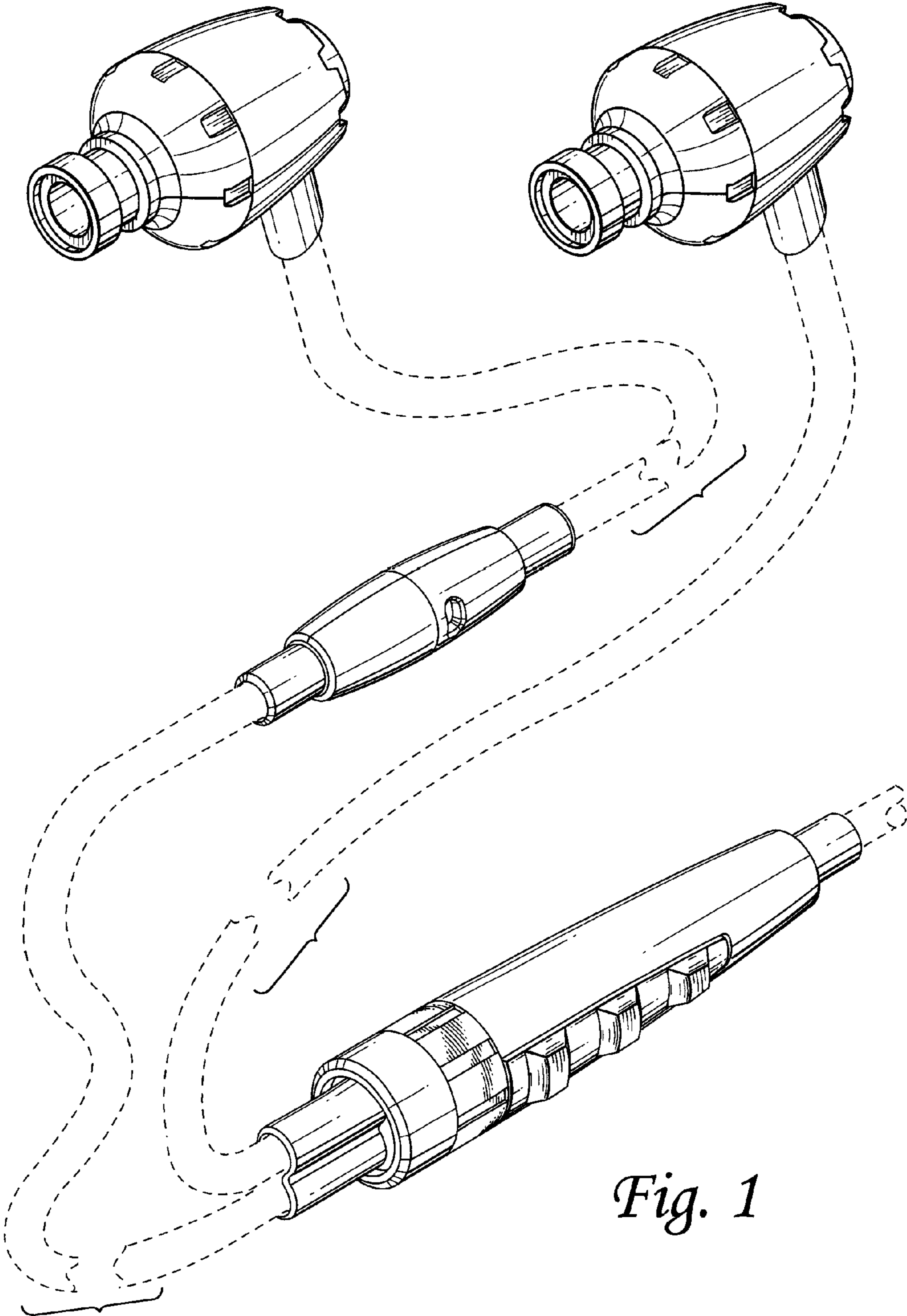


Fig. 1

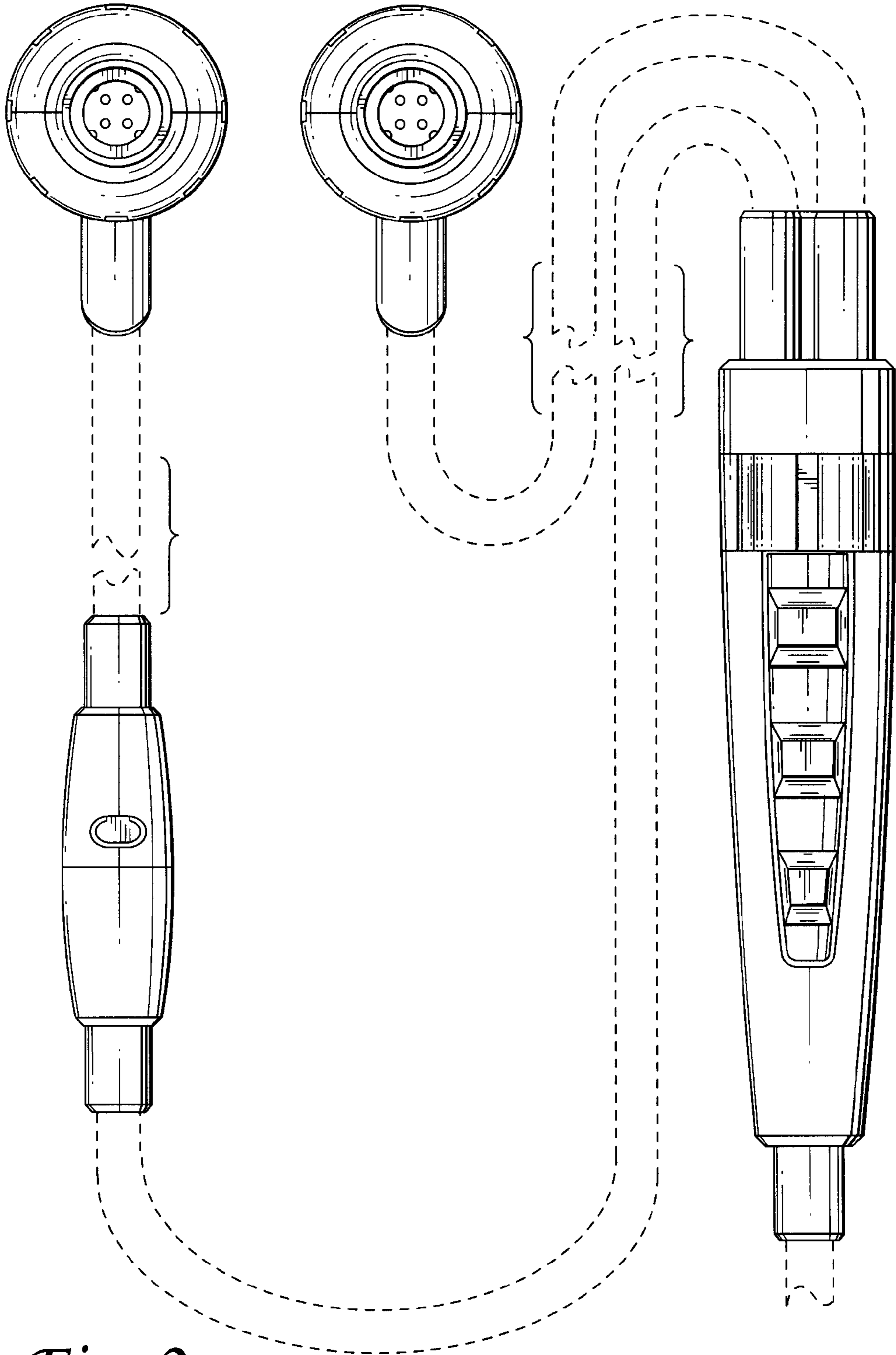


Fig. 2

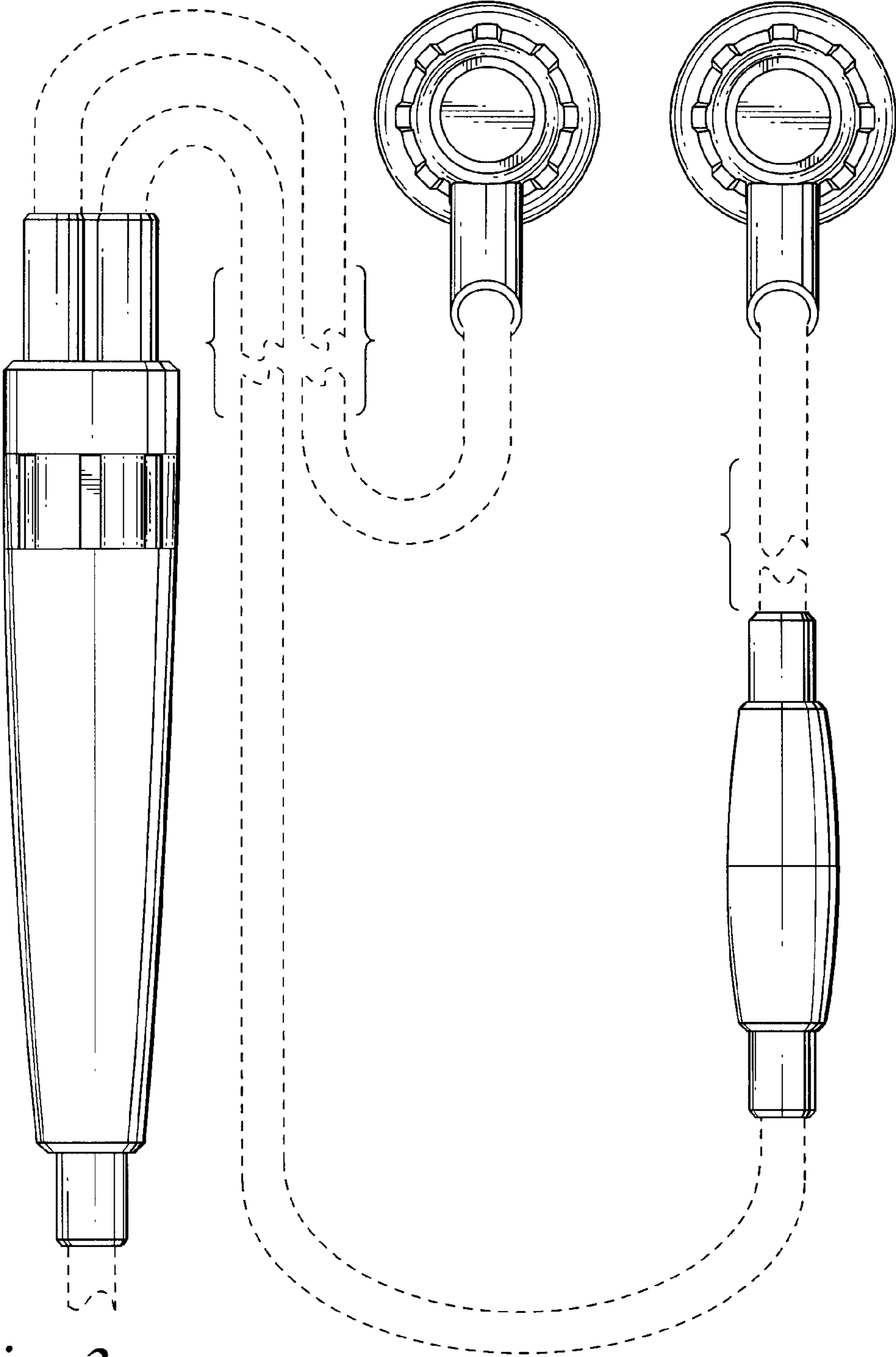


Fig. 3

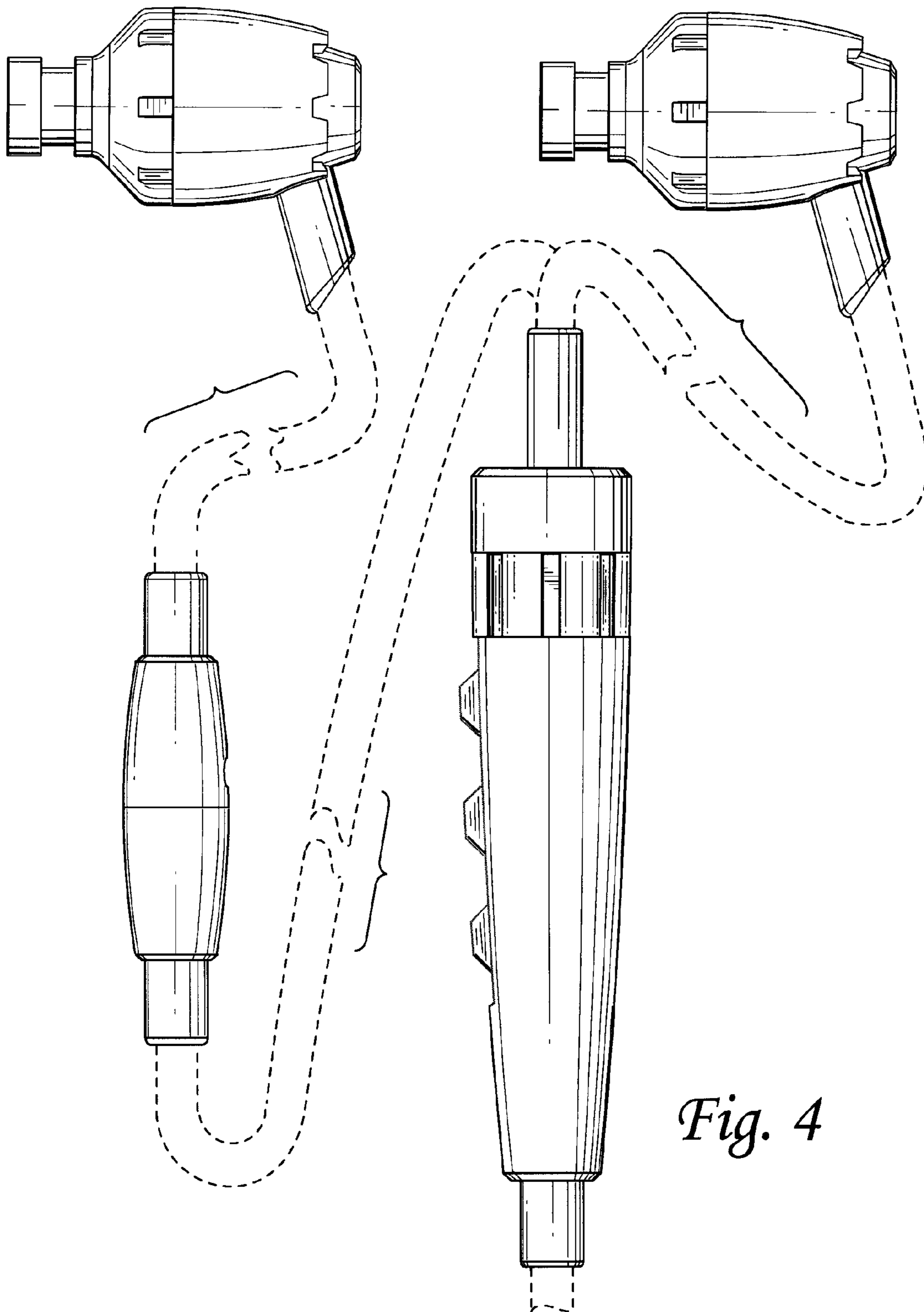


Fig. 4

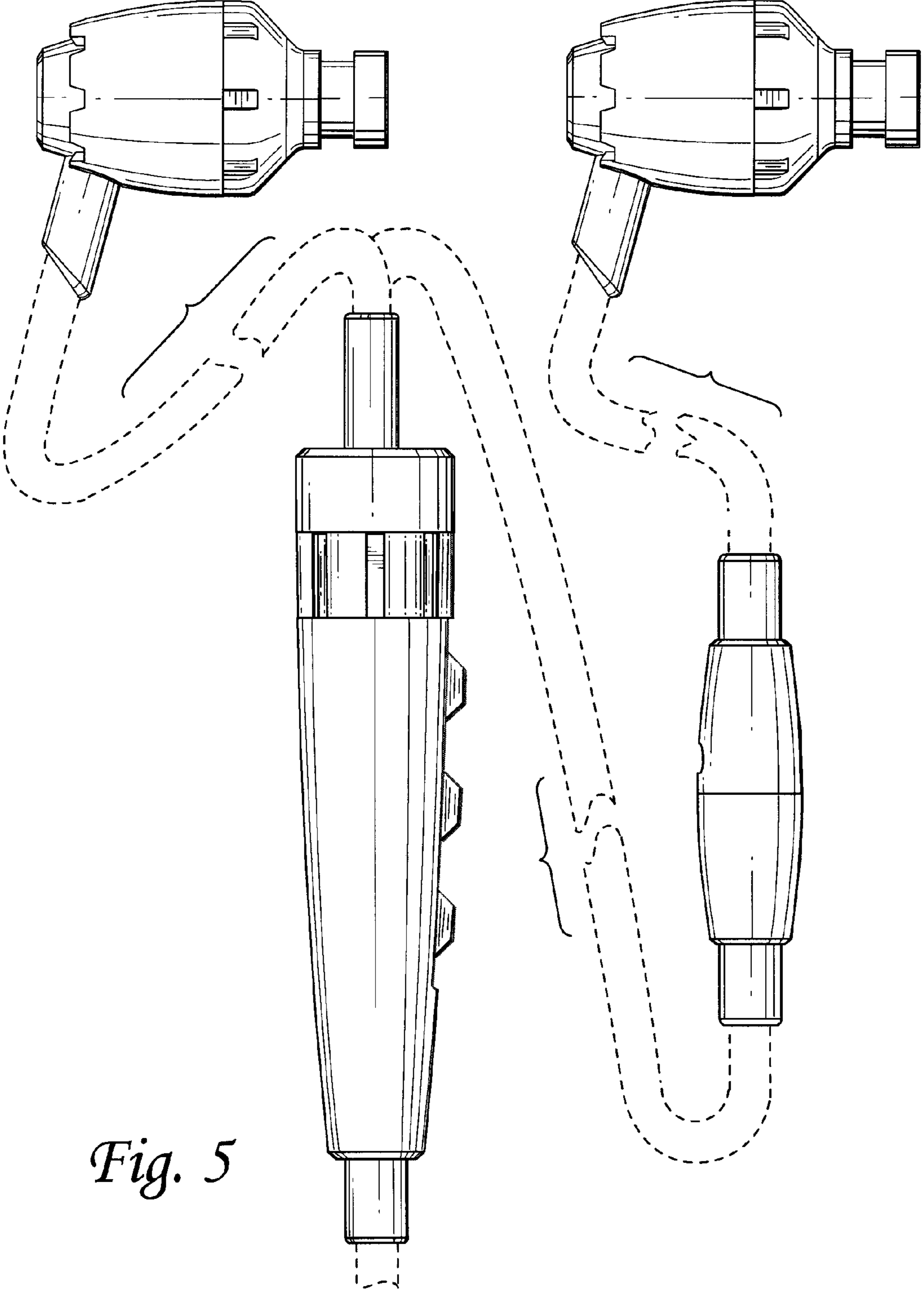


Fig. 5