



US00D603836S

(12) **United States Design Patent**
Hibbard et al.

(10) **Patent No.:** **US D603,836 S**

(45) **Date of Patent:** **** Nov. 10, 2009**

(54) **PAGER**

(75) Inventors: **Craig L. Hibbard**, Palos Verdes Estates, CA (US); **Gary S. Smock**, Arvada, CO (US); **William C. McClure**, Centennial, CO (US)

(73) Assignee: **Command Communications, Inc.**, Centennial, CO (US)

(**) Term: **14 Years**

(21) Appl. No.: **29/330,562**

(22) Filed: **Jan. 9, 2009**

(51) **LOC (9) Cl.** **14-03**

(52) **U.S. Cl.** **D14/191**

(58) **Field of Classification Search** D10/2,
D10/106; D14/137, 155, 159, 191-193,
D14/299, 496; 340/7.1, 7.2-7.28, 7.63, 539.13-539.15;
380/31-34, 270-271; 455/3.01-3.05, 90.1-90.3,
455/95, 128, 347, 351

See application file for complete search history.

(56) **References Cited**

U.S. PATENT DOCUMENTS

D295,501 S * 5/1988 Brayford D10/31

D313,758 S * 1/1991 Klose D10/31

D313,759 S * 1/1991 Nomizu D10/31

D401,935 S * 12/1998 Scalisi et al. D14/191

D484,400 S * 12/2003 Blake et al. D8/394

D532,316 S * 11/2006 Barbeau et al. D10/2

D554,616 S * 11/2007 Pierce D14/191

D576,889 S * 9/2008 Mandel D10/2

* cited by examiner

Primary Examiner—Stella M Reid

Assistant Examiner—Keli L Hill

(74) *Attorney, Agent, or Firm*—Dorr, Carson & Birney, P.C.

(57) **CLAIM**

The ornamental design for a pager, as shown and described.

DESCRIPTION

FIG. 1 is a front perspective view of a pager showing my new design.

FIG. 2 is a rear perspective view thereof.

FIG. 3 is a front elevational view thereof.

FIG. 4 is a right side elevational view thereof.

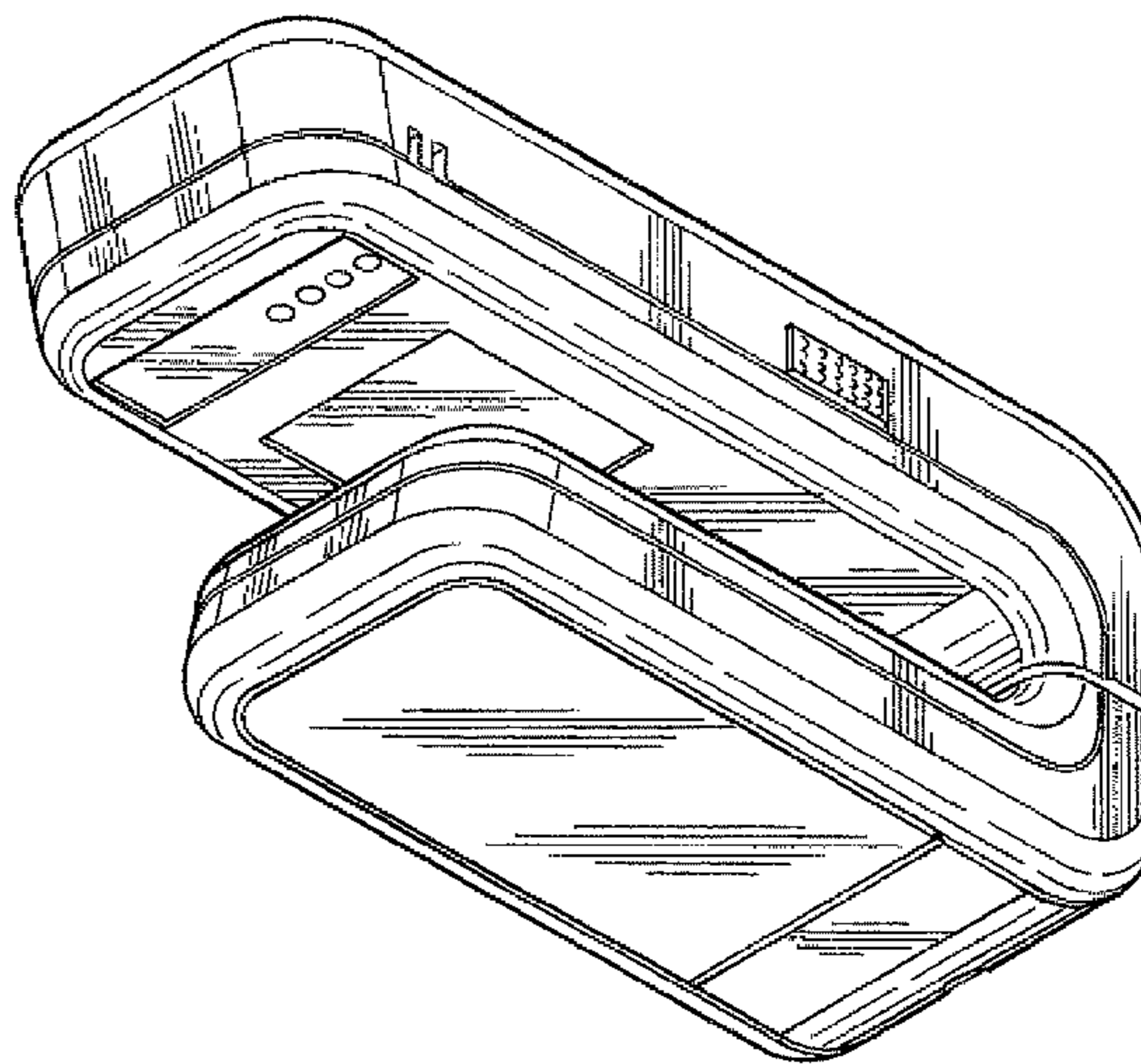
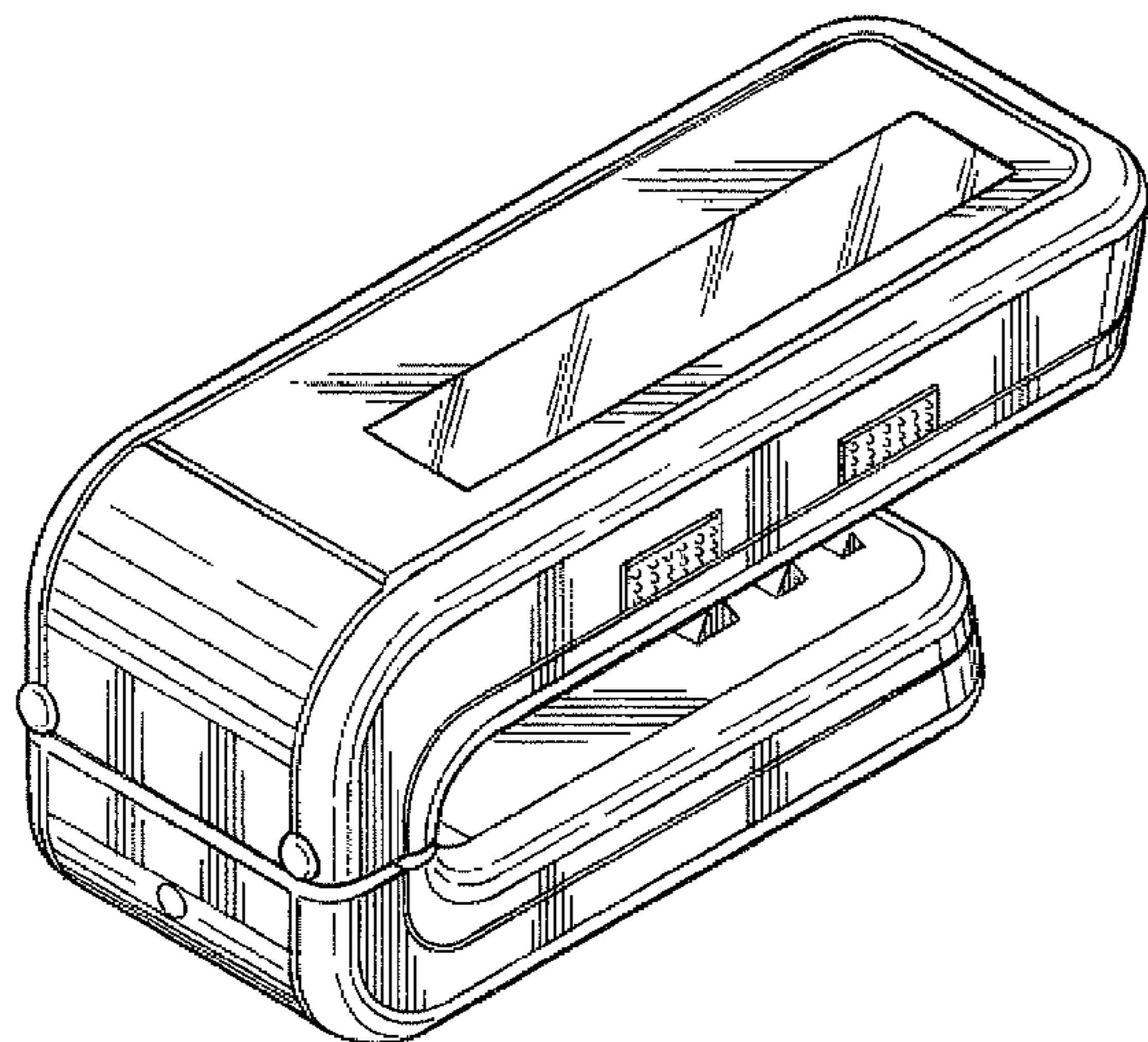
FIG. 5 is a rear elevational view thereof.

FIG. 6 is a left side elevational view thereof.

FIG. 7 is a top plan view thereof; and,

FIG. 8 is a bottom plan view thereof.

1 Claim, 3 Drawing Sheets



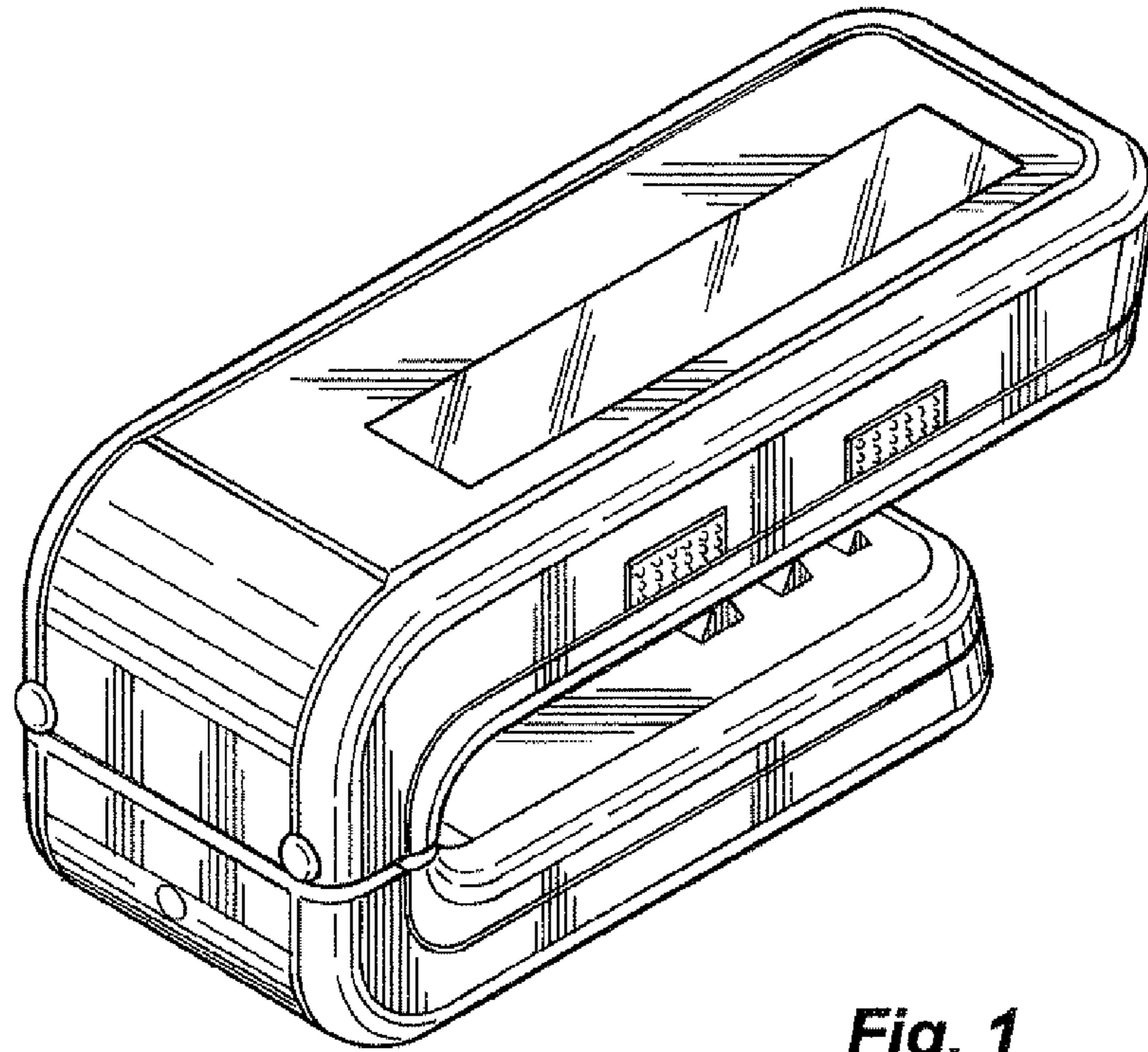


Fig. 1

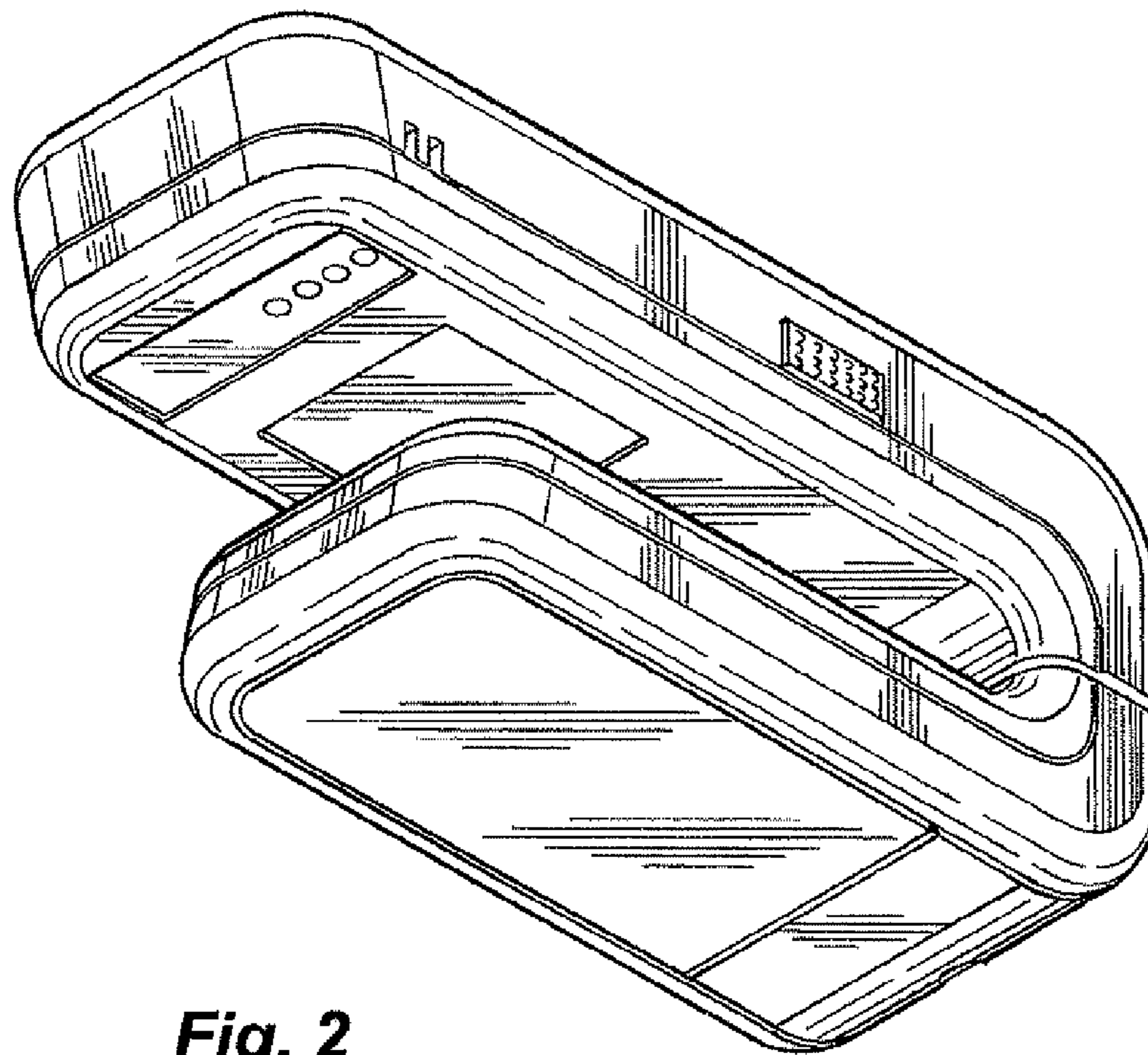


Fig. 2

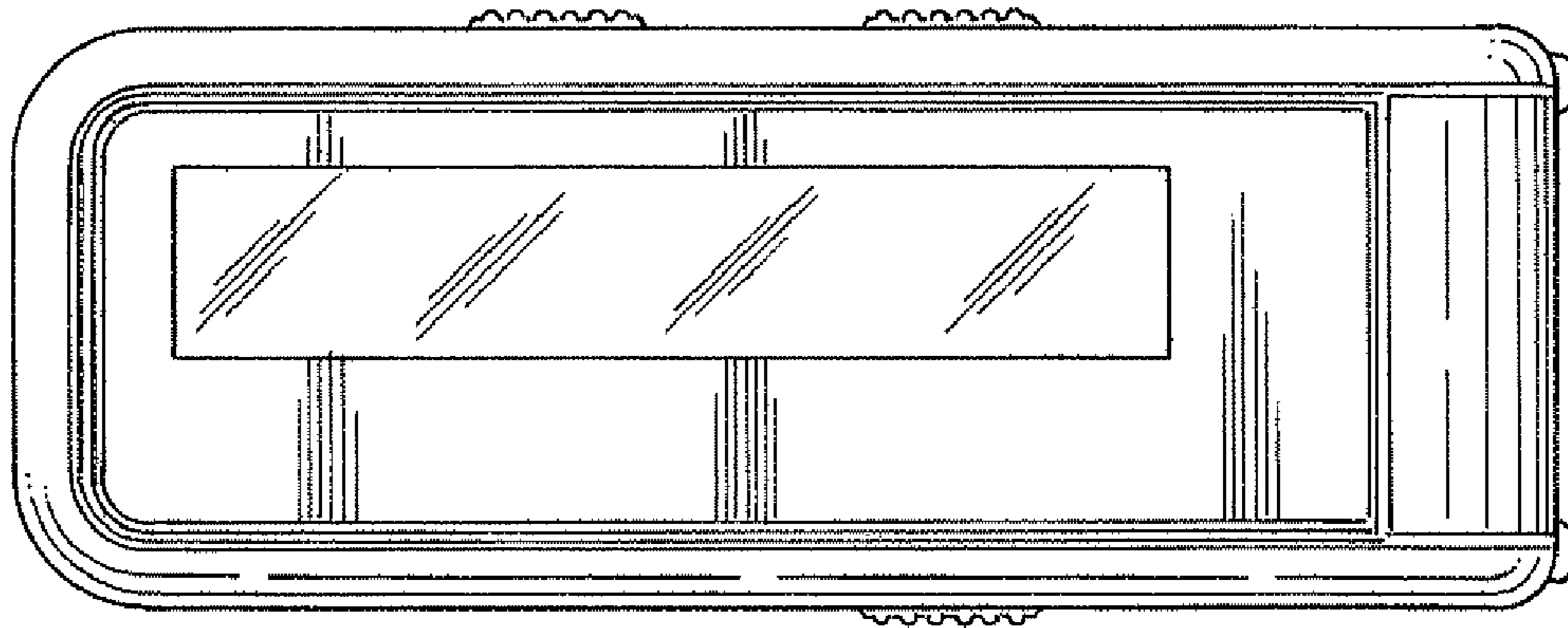


Fig. 3

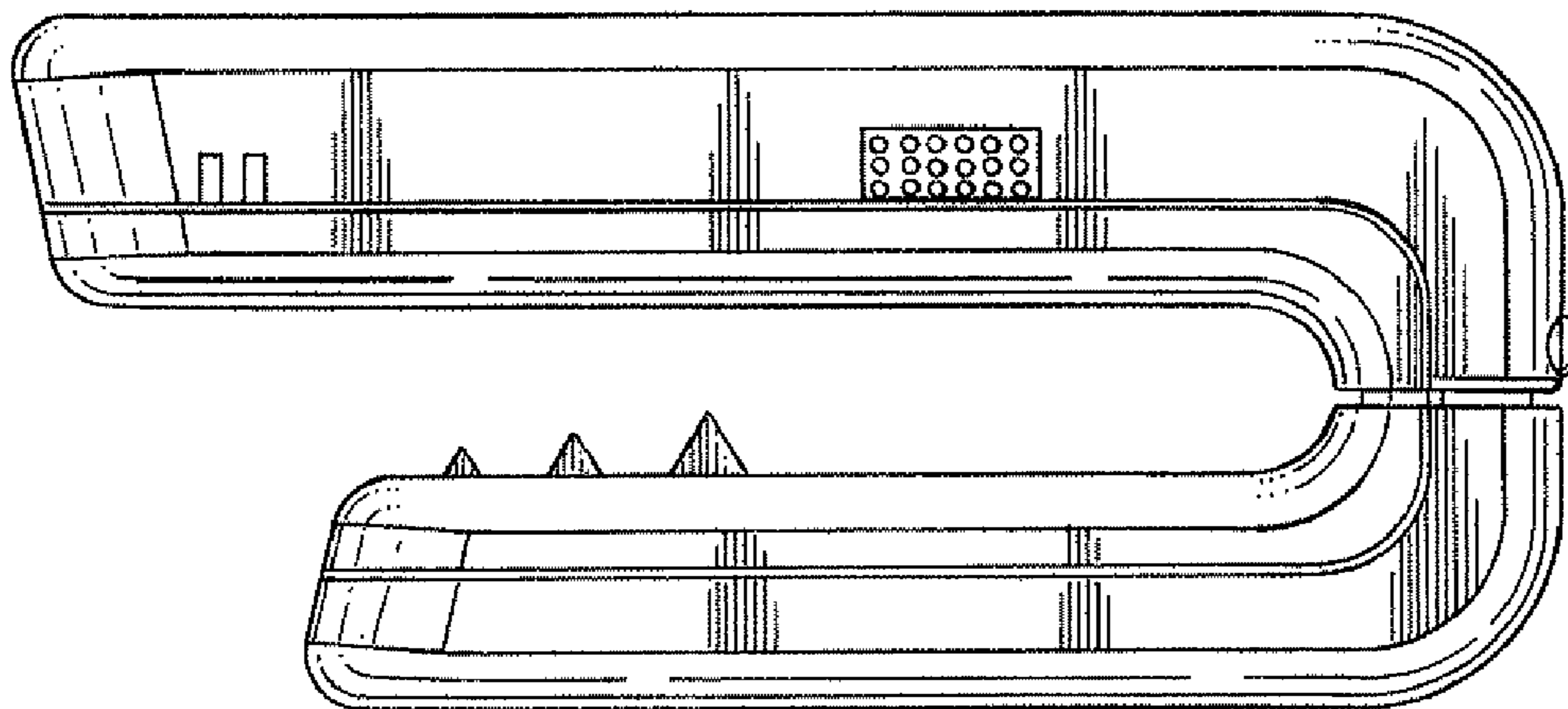


Fig. 4

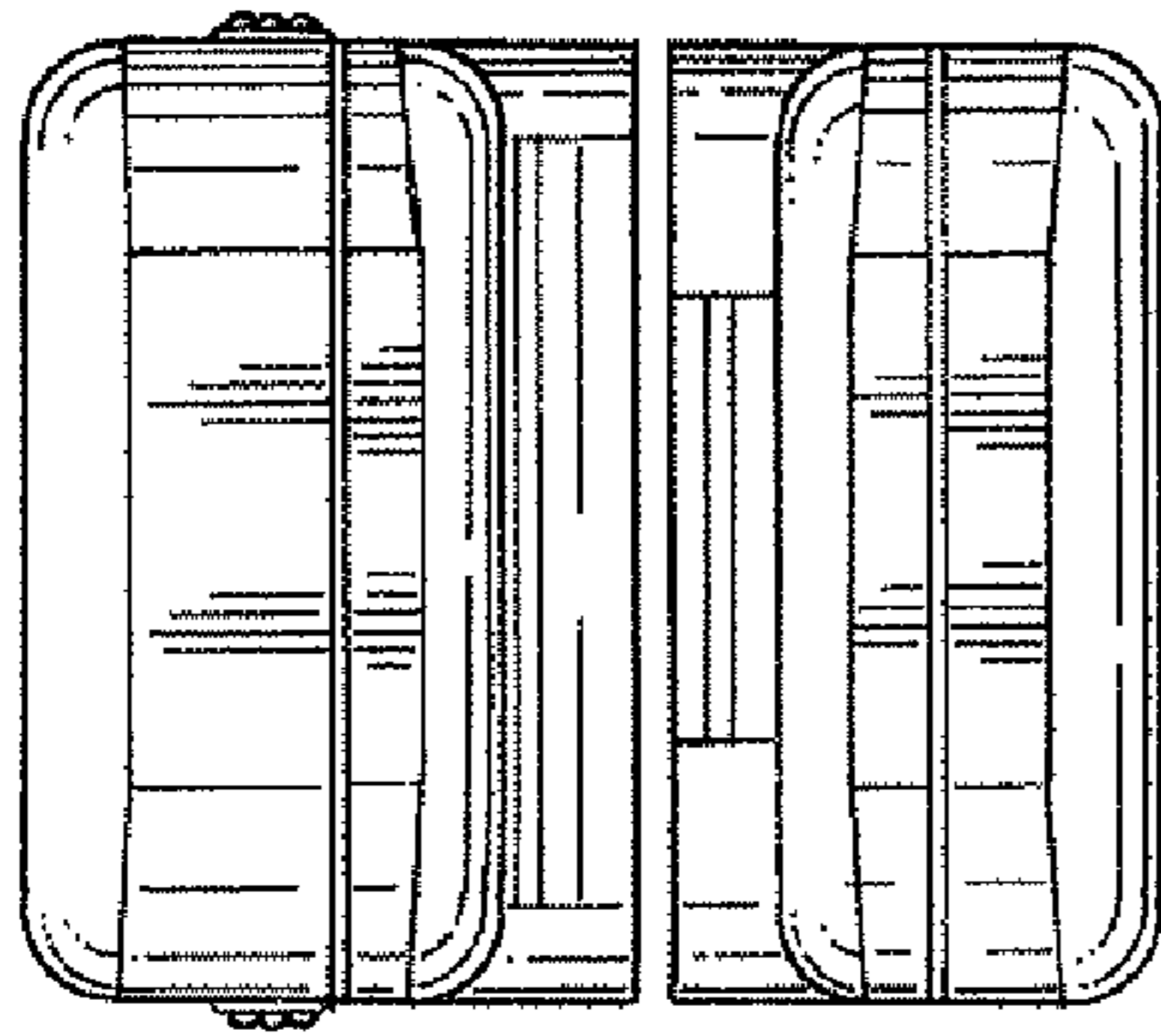


Fig. 8

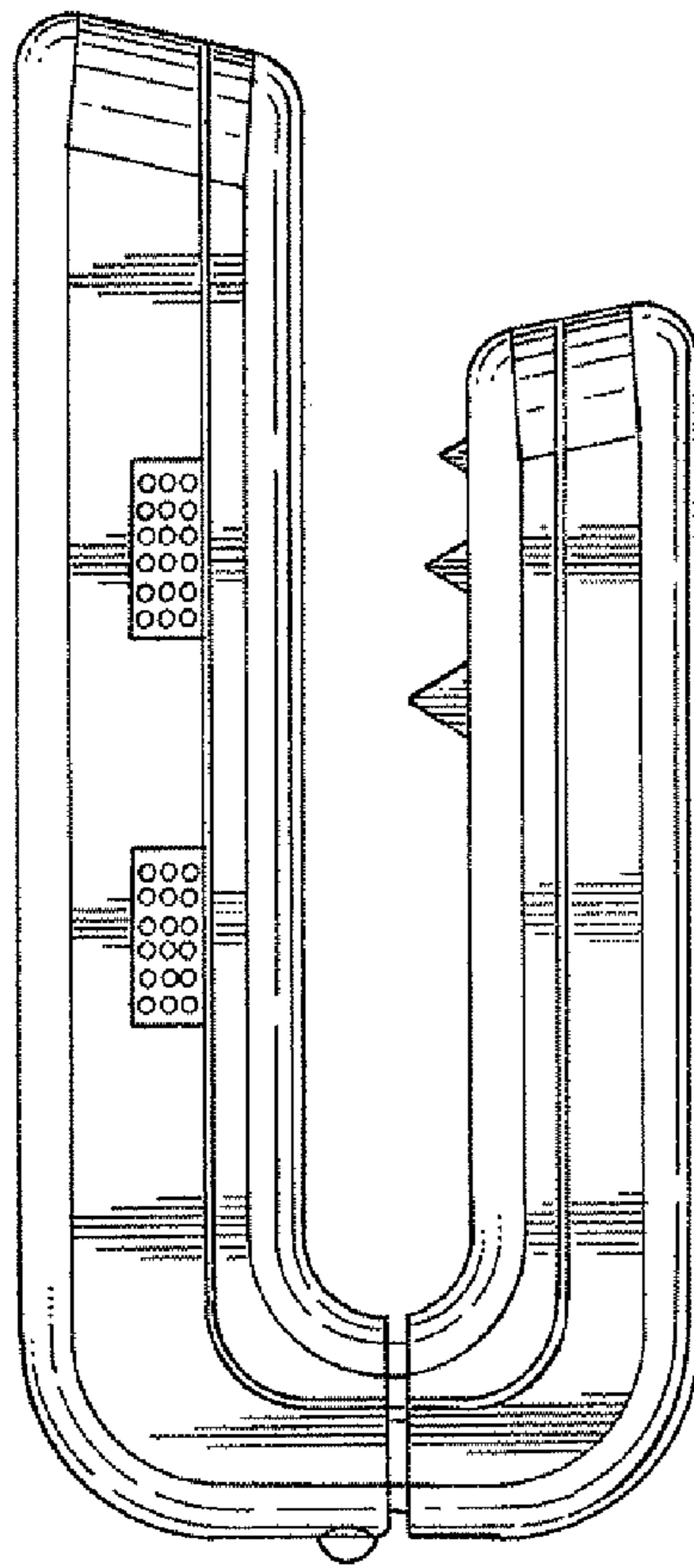


Fig. 6

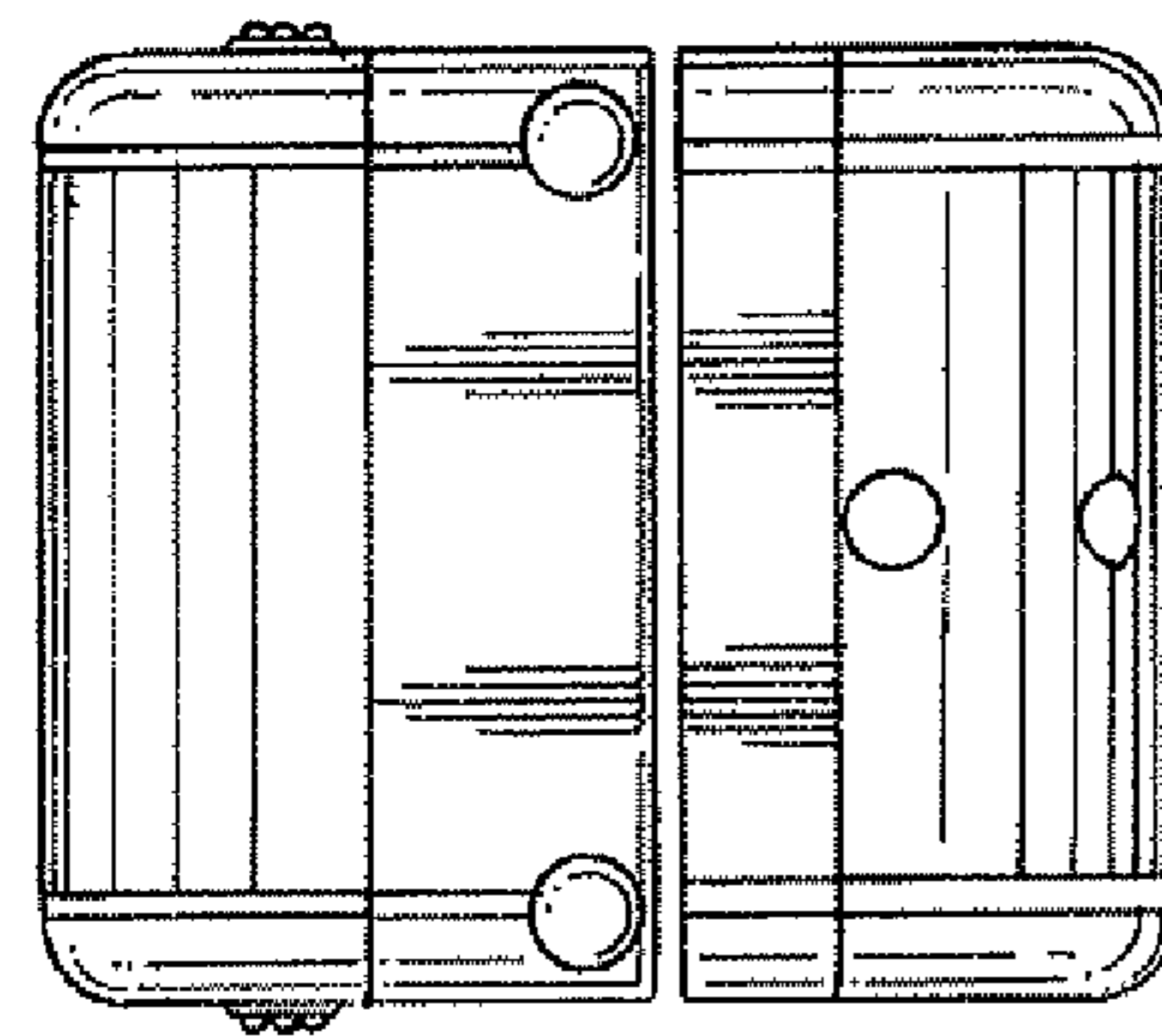


Fig. 7

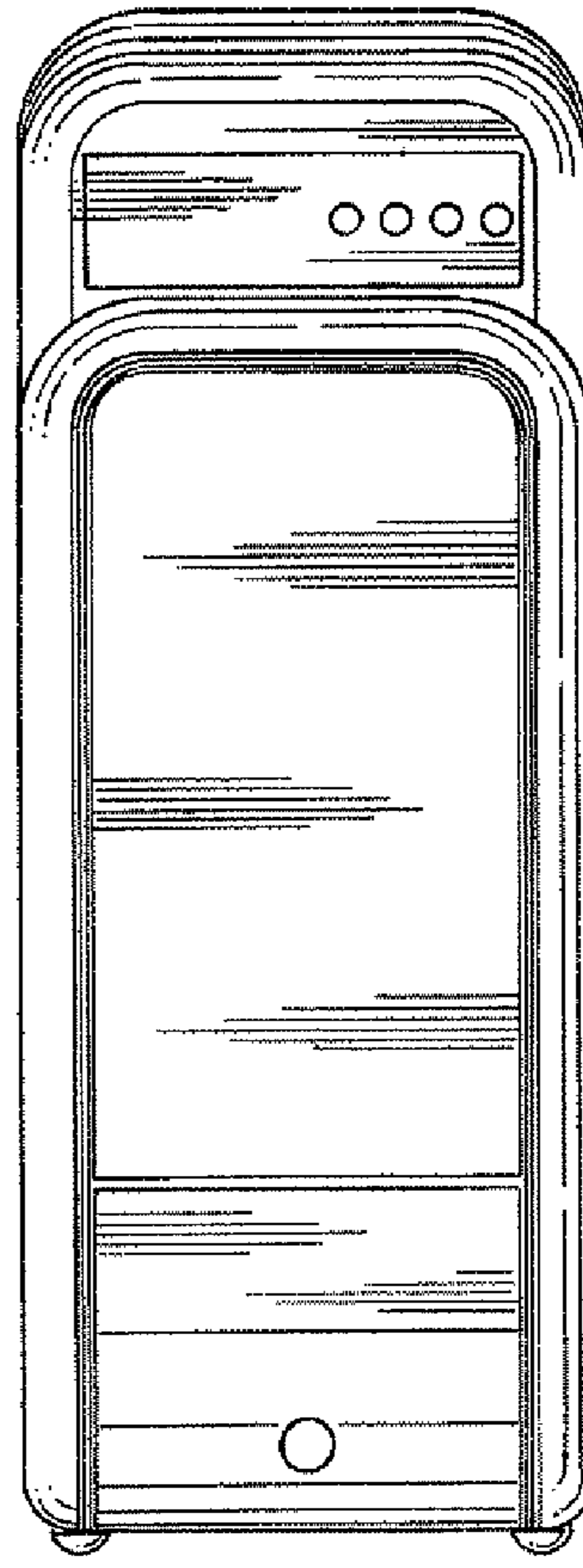


Fig. 5