



US00D603832S

(12) **United States Design Patent**
Ho

(10) **Patent No.:** **US D603,832 S**

(45) **Date of Patent:** **** Nov. 10, 2009**

(54) **MOBILE PHONE**

(75) Inventor: **Po-Lin Ho**, Taoyuan County (TW)

(73) Assignee: **HTC Corporation**, Taoyuan (TW)

(**) Term: **14 Years**

(21) Appl. No.: **29/334,352**

(22) Filed: **Mar. 25, 2009**

(51) **LOC (9) Cl.** **14-03**

(52) **U.S. Cl.** **D14/138 AA; D14/346**

(58) **Field of Classification Search** **D14/138 AA,**
D14/138 R, 138 AD, 341-347; 455/575.1,
455/575.4, 556.2

See application file for complete search history.

(56) **References Cited**

U.S. PATENT DOCUMENTS

D470,842 S *	2/2003	Bhatia et al.	D14/346
D477,596 S *	7/2003	Hayes	D14/343
D548,218 S *	8/2007	Hong et al.	D14/138 AA
D550,641 S *	9/2007	Wang	D14/138 AA
D550,664 S *	9/2007	Leung	D14/346
D554,612 S *	11/2007	Wang	D14/138 AA
D556,726 S *	12/2007	Dai	D14/138 AA
D559,223 S *	1/2008	Kim et al.	D14/138 AA
D562,828 S *	2/2008	Griffin et al.	D14/439
D563,378 S *	3/2008	Tseng et al.	D14/138 AA
D563,402 S *	3/2008	Tomasso et al.	D14/248
D566,086 S *	4/2008	Hong et al.	D14/138 AA
7,363,064 B2 *	4/2008	Rak et al.	455/575.1
D570,839 S *	6/2008	Hofer et al.	D14/341
D576,593 S *	9/2008	Chang et al.	D14/138 AA
D576,988 S *	9/2008	Kim et al.	D14/138 AA
D584,262 S *	1/2009	Hu et al.	D14/138 AA
D585,889 S *	2/2009	Rak et al.	D14/346
D591,742 S *	5/2009	Hofer et al.	D14/346
D593,554 S *	6/2009	Griffin et al.	D14/346
D597,511 S *	8/2009	Park	D14/138 AA
2006/0209032 A1 *	9/2006	Chiang et al.	345/169

2009/0011806 A1* 1/2009 Man et al. 455/575.7

OTHER PUBLICATIONS

Motorola Q 11 telephone, announced Oct. 2008, [online], [site visited Aug. 19, 2009]. Available from Internet ,<URL: http://www.gsmarena.com>.*

HTC Snap telephone, announced Mar. 2009, [online], [site visited Aug. 19, 2009]. Available from Internet ,<URL: http://www.gsmarena.com>.*

Asus M530w telephone, announced May 2007, [online], [site visited Aug. 19, 2009]. Available from Internet ,<URL: http://www.gsmarena.com>.*

Palm Treo Pro telephone, announced Aug. 2008, [online], [site visited Aug. 19, 2009]. Available from Internet ,<URL: http://www.gsmarena.com>.*

Blackberry Bold 9000 telephone, announced May 2008, [online], [site visited Aug. 19, 2009]. Available from Internet ,<URL: http://www.gsmarena.com>.*

T-Mobile Dash 3G telephone, announced Mar. 2009, [online], [site visited Aug. 19, 2009]. Available from Internet ,<URL: http://www.gsmarena.com>.*

* cited by examiner

Primary Examiner—Jeffrey D Asch

(74) *Attorney, Agent, or Firm*—Birch, Stewart, Kolasch & Birch, LLP

(57) **CLAIM**

The ornamental design for mobile phone, as shown and described.

DESCRIPTION

FIG. 1 is a front perspective view thereof;

FIG. 2 is a front view thereof;

FIG. 3 is a rear view thereof;

FIG. 4 is a left side view thereof;

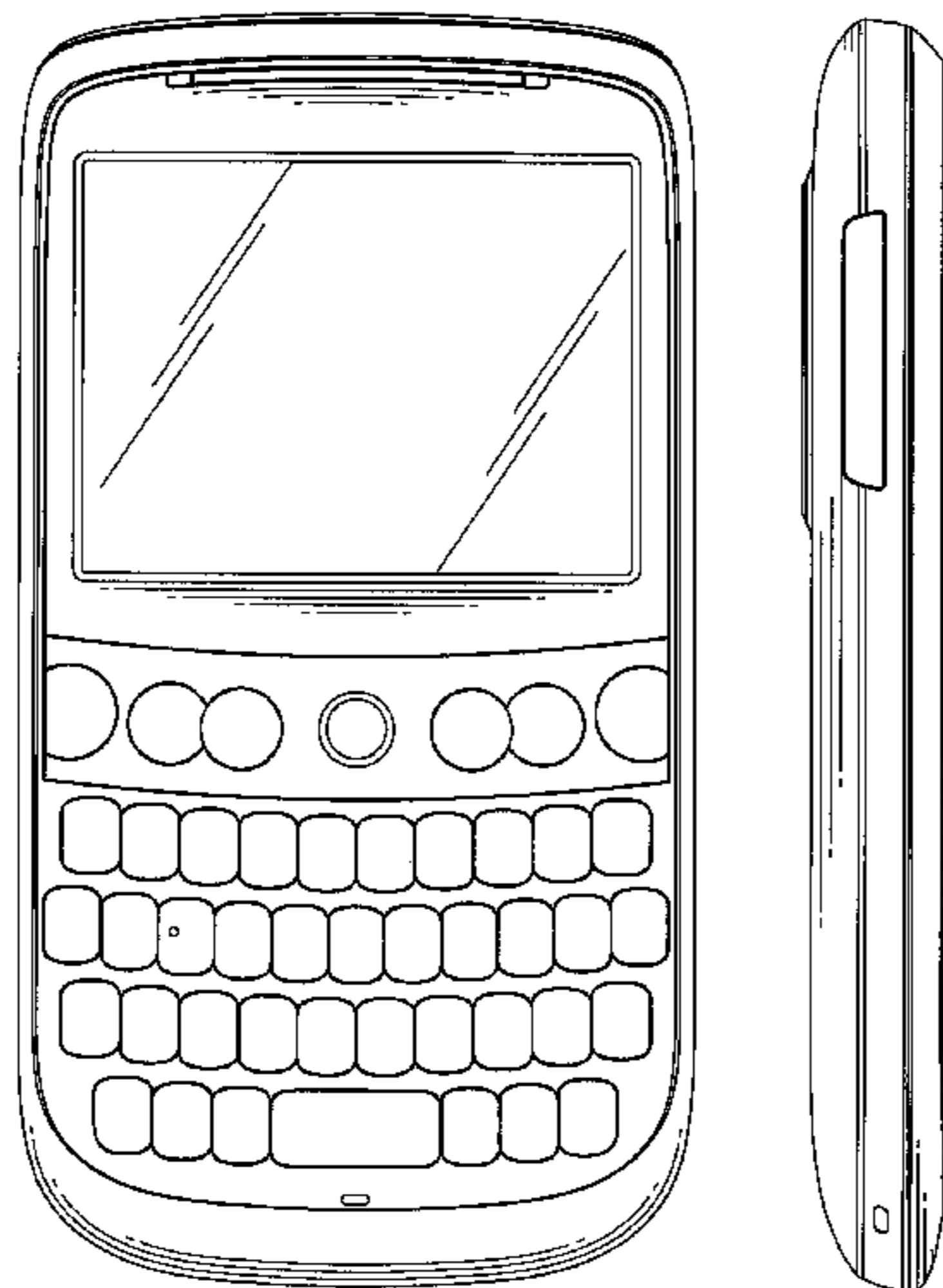
FIG. 5 is a right side view thereof;

FIG. 6 is a top plan view thereof;

FIG. 7 is a bottom plan view thereof; and,

FIG. 8 is a rear perspective view thereof.

1 Claim, 7 Drawing Sheets



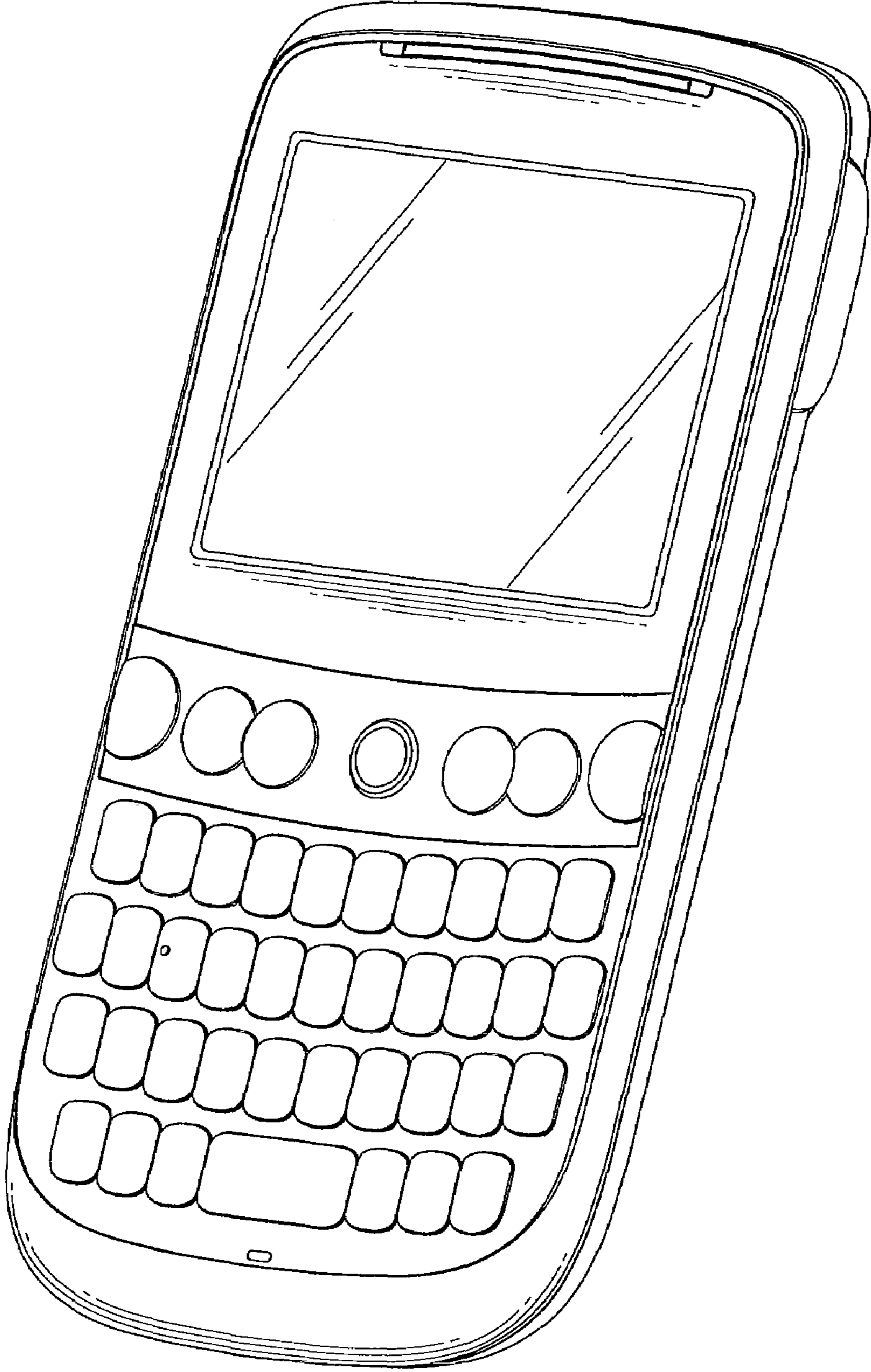


FIG. 1

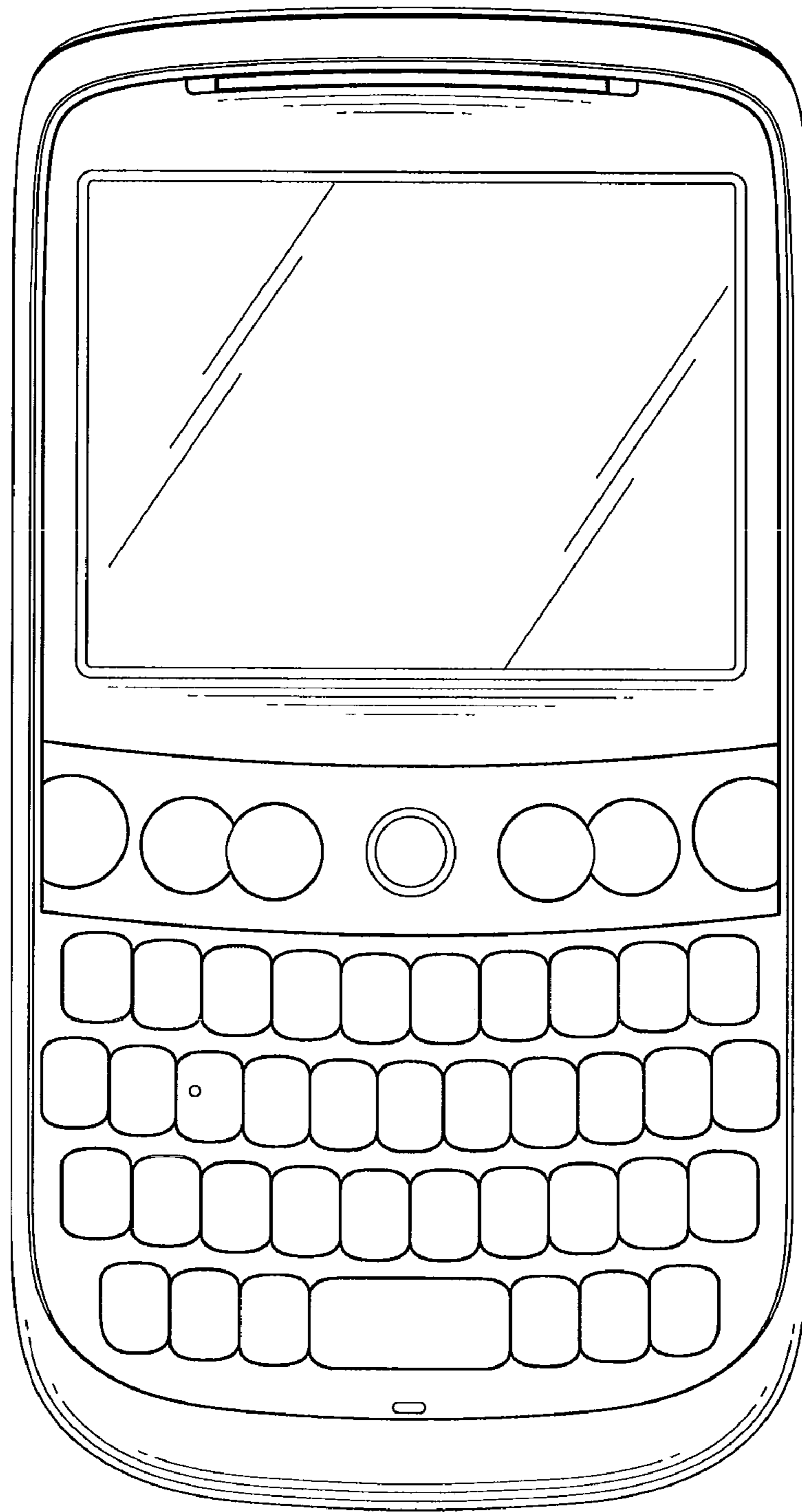


FIG. 2

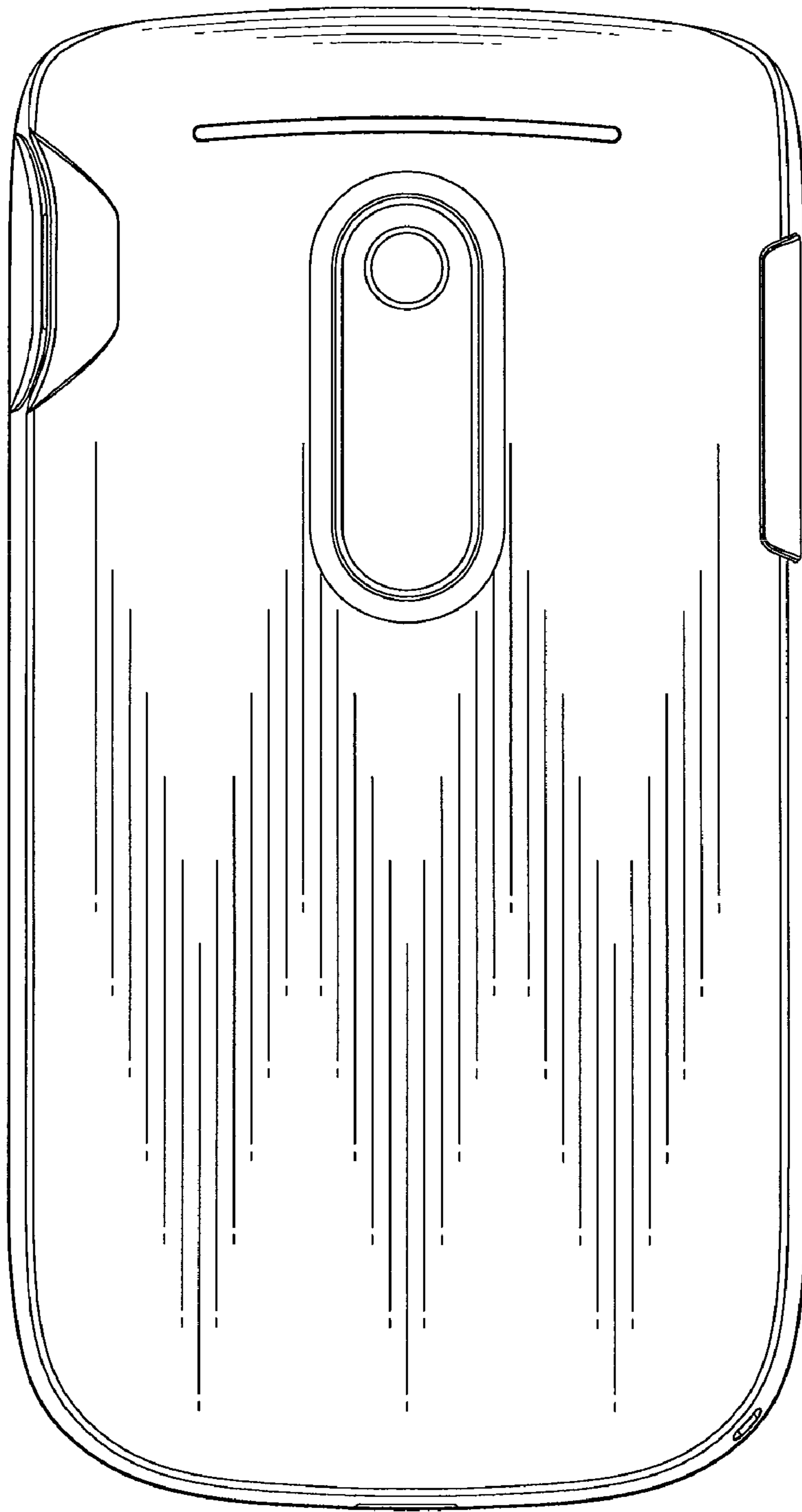


FIG. 3

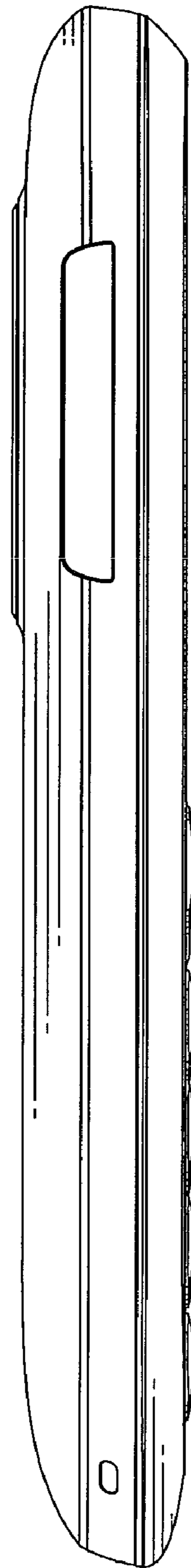


FIG. 4

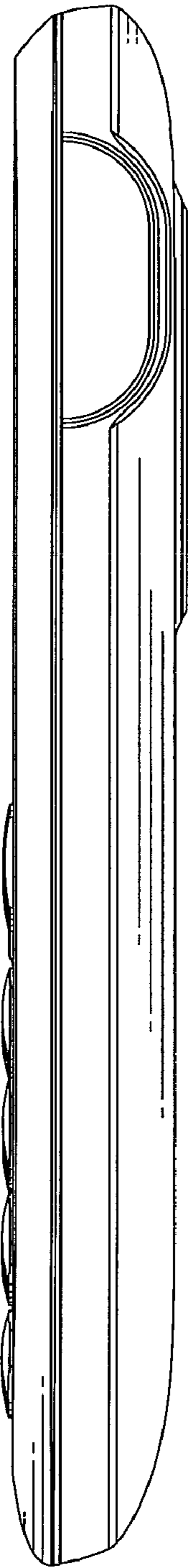


FIG. 5

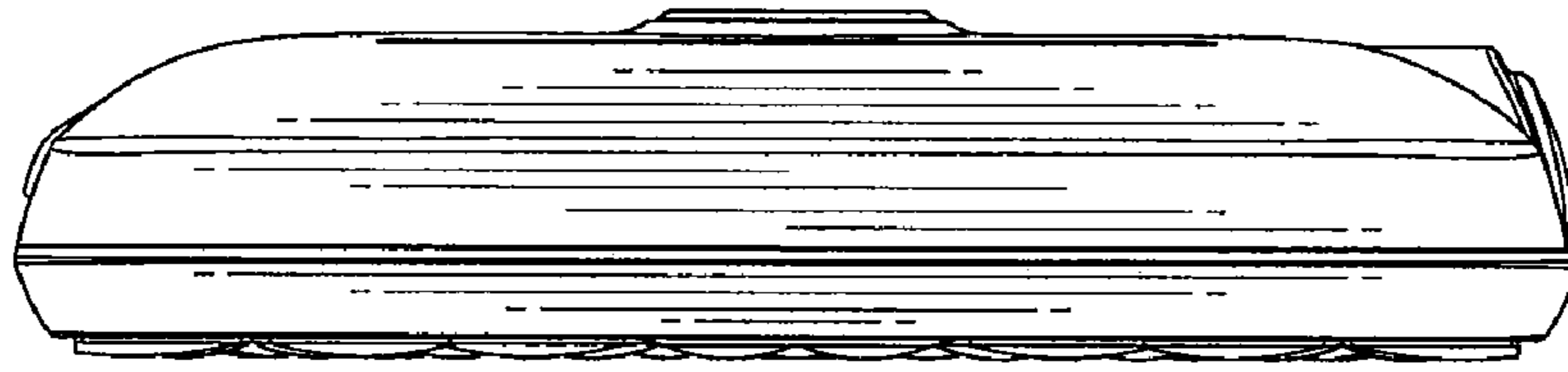


FIG. 6

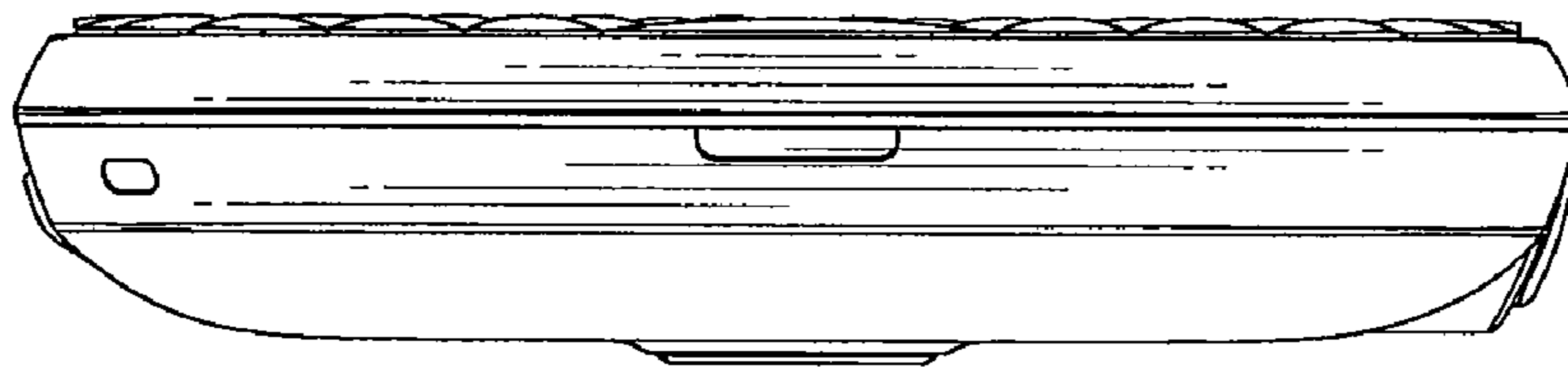


FIG. 7

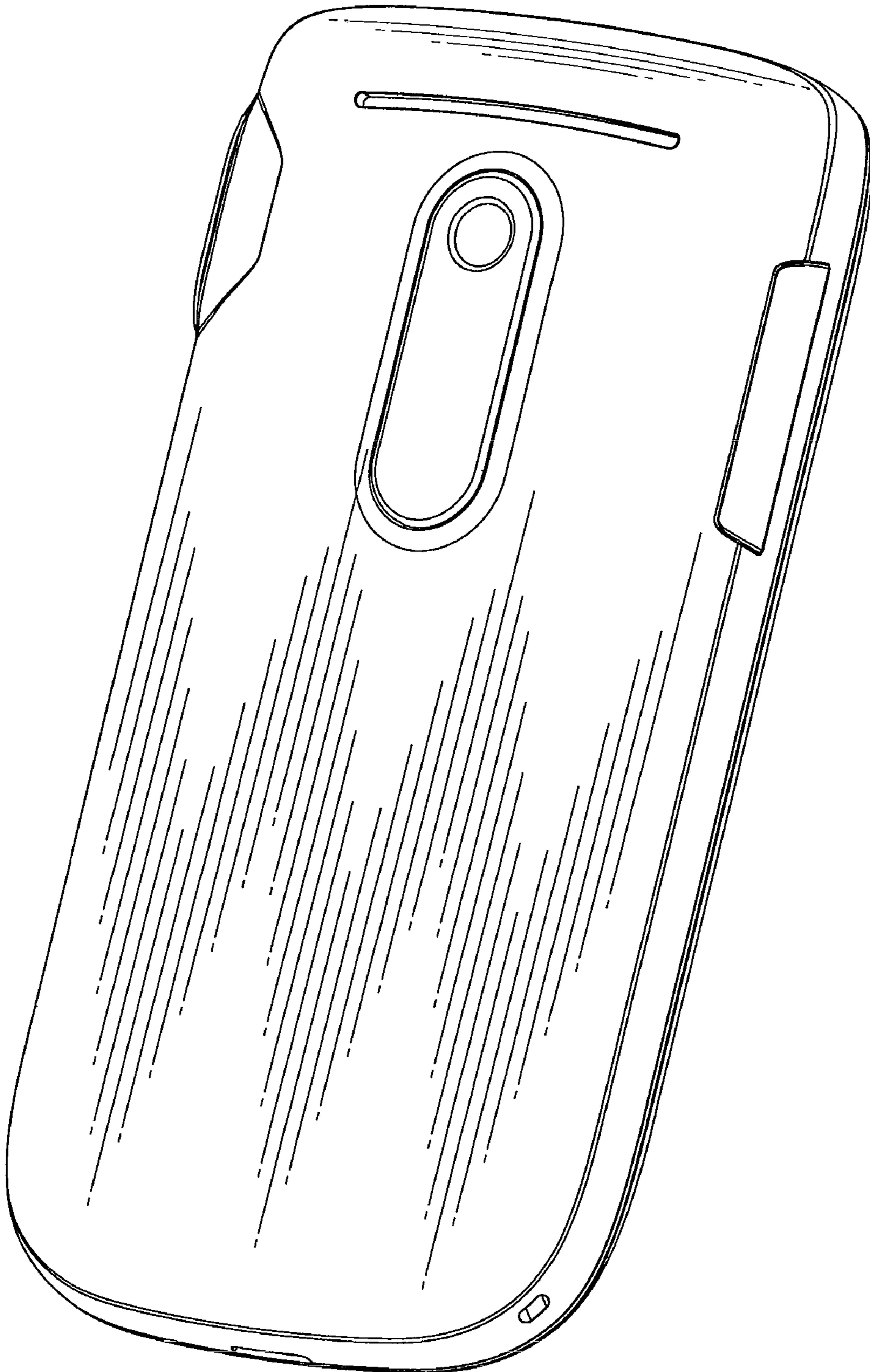


FIG. 8