



US00D603823S

(12) **United States Design Patent**  
**Chon et al.**

(10) **Patent No.:** **US D603,823 S**

(45) **Date of Patent:** **\*\* Nov. 10, 2009**

(54) **PORTABLE PHONE**

(75) Inventors: **Alex Chon**, Rancho Dominguez, CA (US); **Steven Tkachuk**, Los Angeles, CA (US); **Mark Sterzick**, Rancho Dominguez, CA (US); **Naoki Shimada**, Rancho Dominguez, CA (US)

(73) Assignee: **Samsung Electronics Co., Ltd.**, Suwon-Si (KR)

(\*\*) Term: **14 Years**

(21) Appl. No.: **29/328,059**

(22) Filed: **Nov. 18, 2008**

(30) **Foreign Application Priority Data**

Sep. 25, 2008 (KR) ..... 30-2008-0041419

(51) **LOC (9) Cl.** ..... **14-03**

(52) **U.S. Cl.** ..... **D14/138 AA; D14/346**

(58) **Field of Classification Search** ..... D14/138 AA, D14/138 R, 138 AD, 341-347, 432, 439, D14/147; 455/575.1, 575.4, 556.2  
See application file for complete search history.

(56) **References Cited**

**U.S. PATENT DOCUMENTS**

- D502,159 S \* 2/2005 Chan et al. .... D14/138 AA
- D546,314 S \* 7/2007 Im ..... D14/138 AA
- D548,218 S \* 8/2007 Hong et al. .... D14/138 AA
- D549,208 S \* 8/2007 Huang et al. .... D14/138 AA
- D551,227 S \* 9/2007 Griffin et al. .... D14/346
- D555,127 S \* 11/2007 Park et al. .... D14/138 AA
- D556,726 S \* 12/2007 Dai ..... D14/138 AA
- D560,631 S \* 1/2008 Sheu et al. .... D14/138 AA
- D563,378 S \* 3/2008 Tseng et al. .... D14/138 AA
- D570,840 S \* 6/2008 Rak et al. .... D14/346
- D572,700 S \* 7/2008 Kwon et al. .... D14/138 AA
- D576,593 S \* 9/2008 Chang et al. .... D14/138 AA
- D576,993 S \* 9/2008 Park et al. .... D14/138 AA
- D577,351 S \* 9/2008 Kim et al. .... D14/138 AA

- D581,923 S \* 12/2008 Griffin et al. .... D14/346
- D583,350 S \* 12/2008 Park et al. .... D14/138 AA
- D583,352 S \* 12/2008 Son et al. .... D14/138 AA
- D584,271 S \* 1/2009 Ko et al. .... D14/138 R
- D586,344 S \* 2/2009 Rak et al. .... D14/346
- D587,263 S \* 2/2009 Rak et al. .... D14/346
- D588,565 S \* 3/2009 Liu et al. .... D14/138 AA
- D589,043 S \* 3/2009 Rak et al. .... D14/346
- D589,925 S \* 4/2009 Shi ..... D14/138 AA
- D590,821 S \* 4/2009 Rouger ..... D14/248
- 2008/0064451 A1 \* 3/2008 Lee et al. .... 455/575.1

**OTHER PUBLICATIONS**

i-mate Ultimate 8502 telephone, announced Oct. 2007, [online], [site visited Apr. 25, 2009]. Available from Internet ,<URL: http://www.gsmarena.com>.\*

BenQ-Siemens P51 telephone, announced Mar. 2006, [online], [site visited Apr. 25, 2009]. Available from Internet ,<URL: http://www.gsmarena.com>.\*

BenQ P50 telephone, announced 1st quarter 2004, [online], [site visited Apr. 25, 2009]. Available from Internet ,<URL: http://www.gsmarena.com>.\*

\* cited by examiner

*Primary Examiner*—Jeffrey D Asch

(74) *Attorney, Agent, or Firm*—Staas & Halsey LLP

(57) **CLAIM**

The ornamental design for portable phone, as shown and described.

**DESCRIPTION**

FIG. 1 is a perspective view of a portable phone;  
FIG. 2 is a front view of the portable phone of FIG. 1;  
FIG. 3 is a rear view of the portable phone of FIG. 1;  
FIG. 4 is a left-side view of portable phone of FIG. 1;  
FIG. 5 is a right-side view of portable phone of FIG. 1;  
FIG. 6 is a top plan view of portable phone of FIG. 1; and,  
FIG. 7 is a bottom plan view of the portable phone of FIG. 1.

**1 Claim, 4 Drawing Sheets**

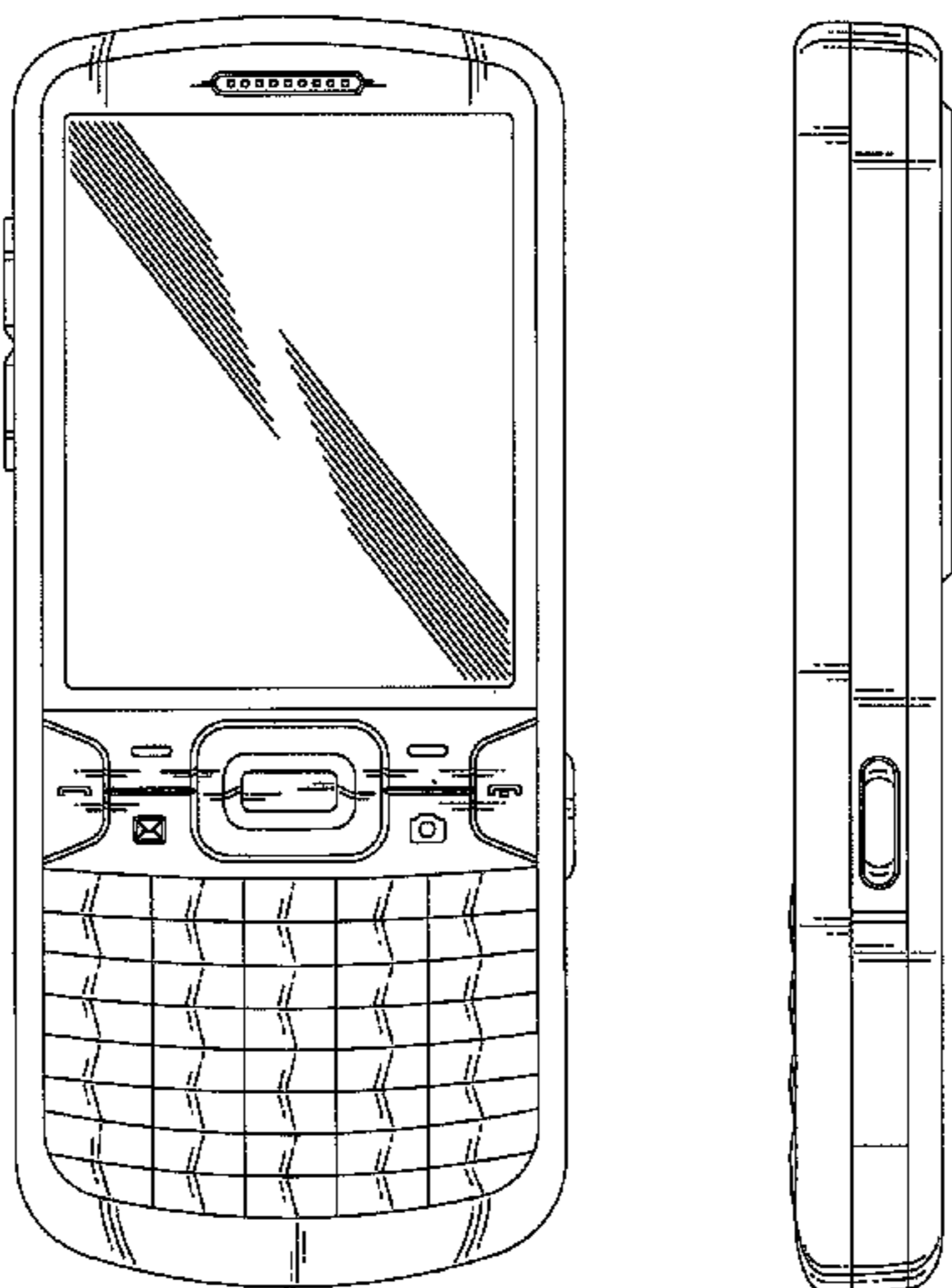


FIG. 1

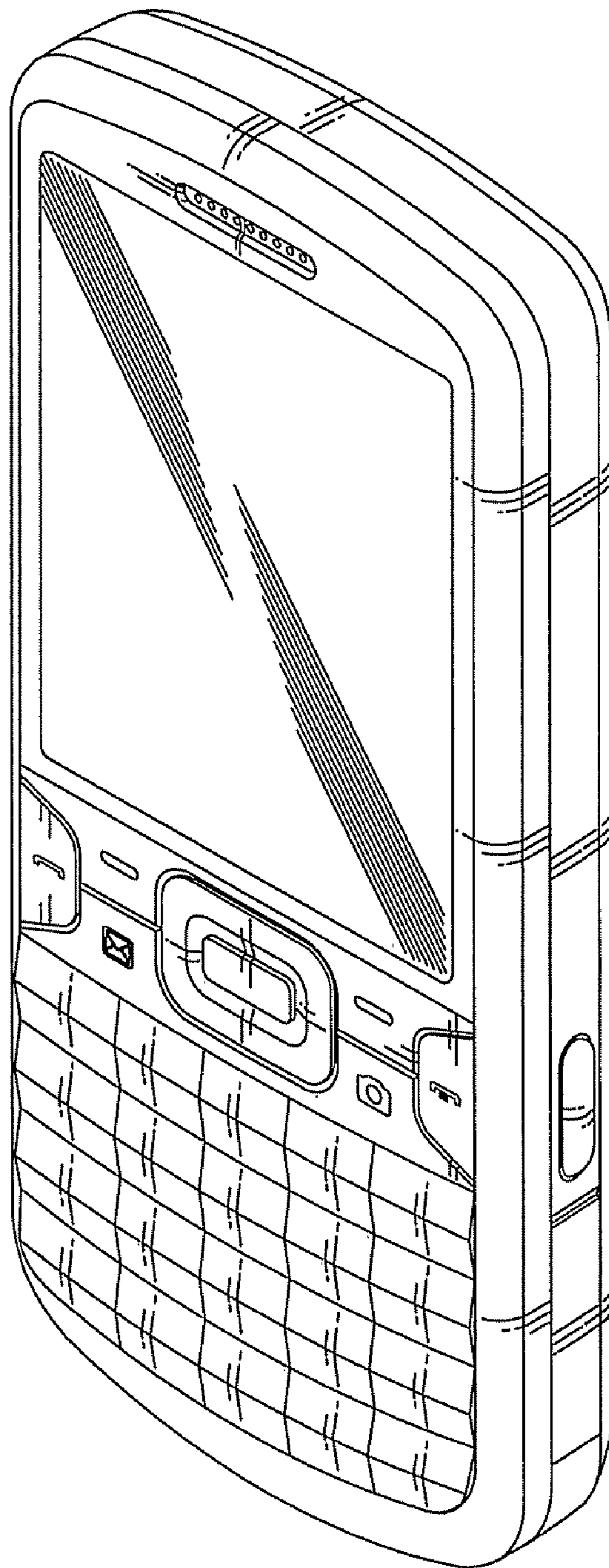


FIG. 2

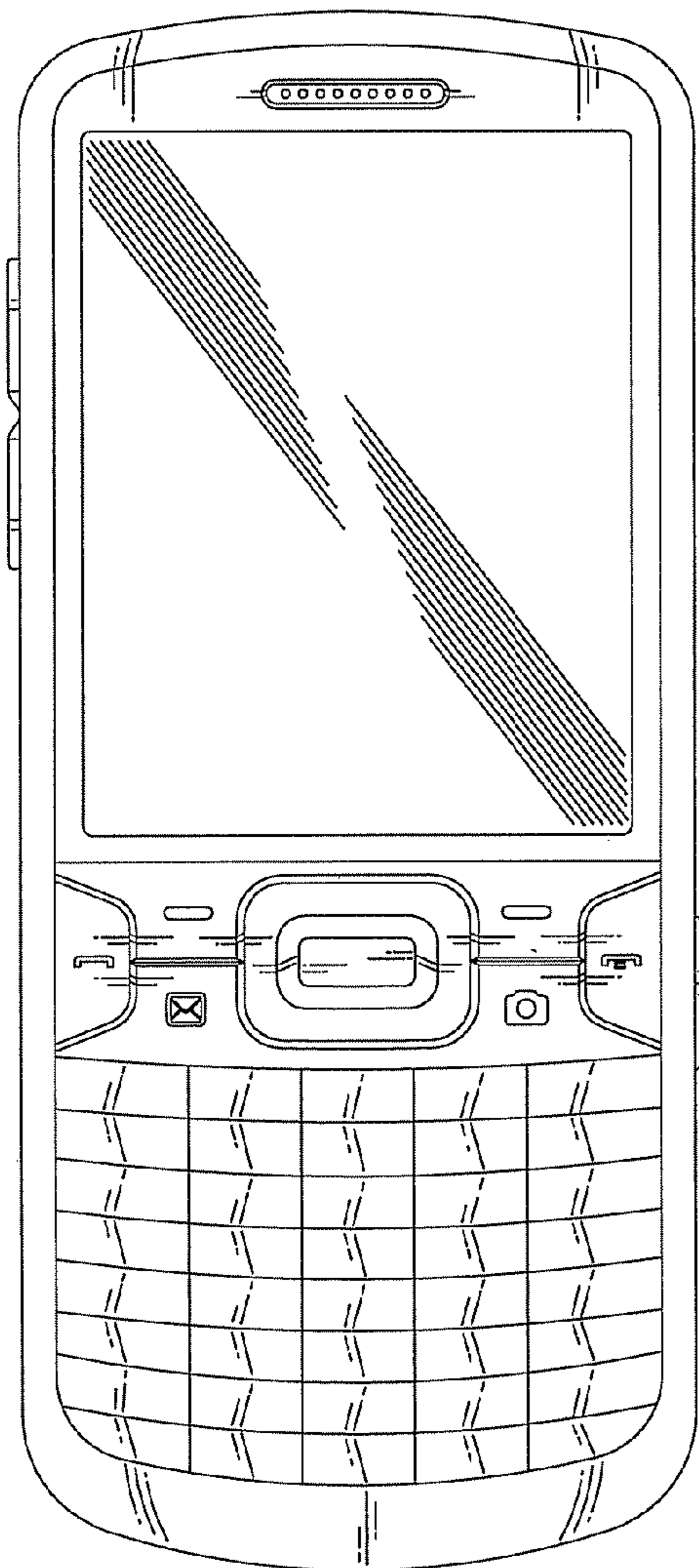


FIG. 3

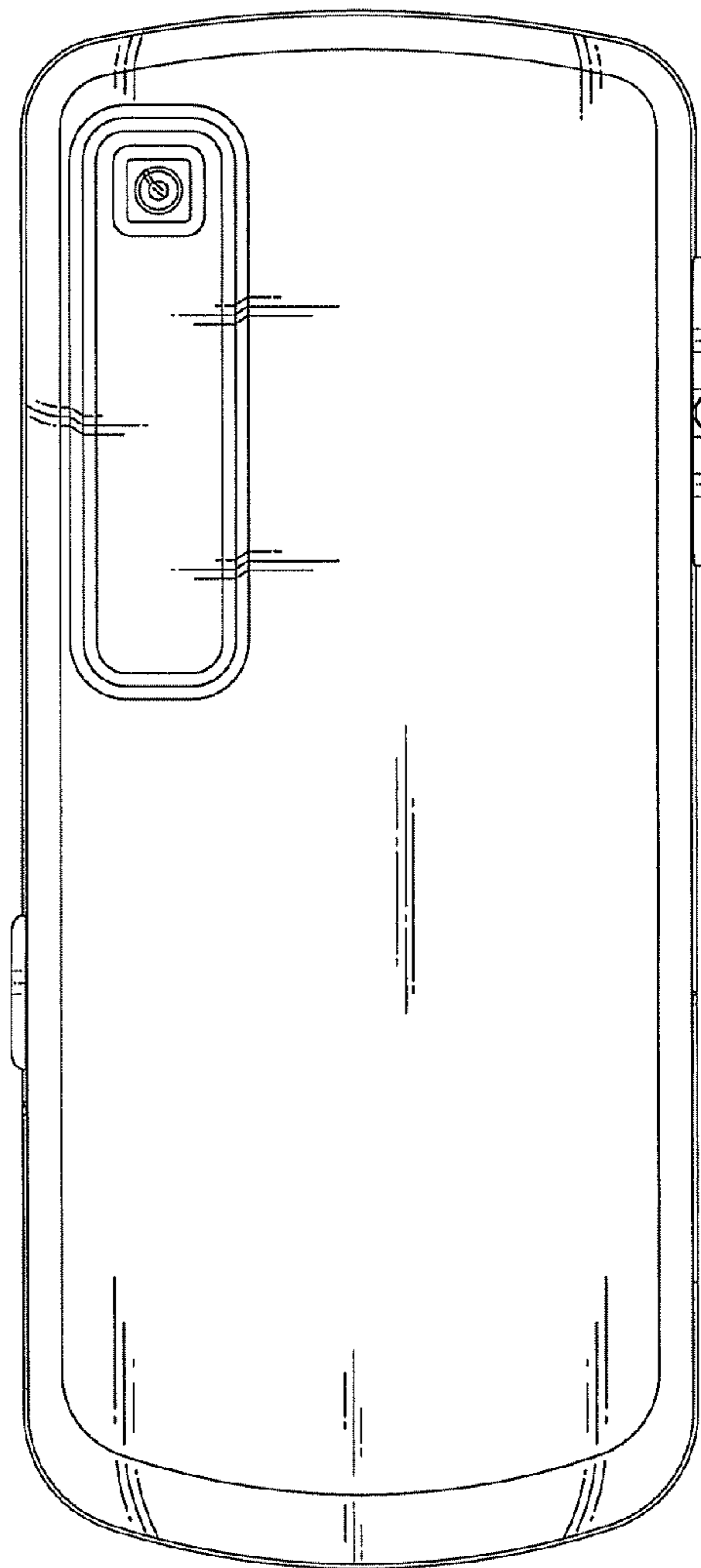


FIG. 4

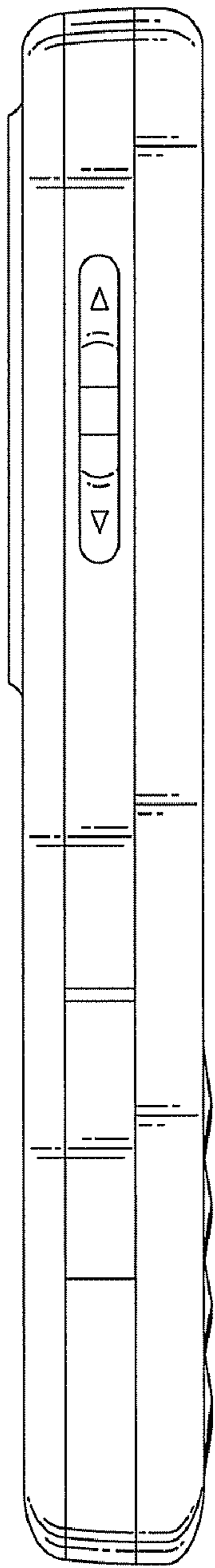


FIG. 5

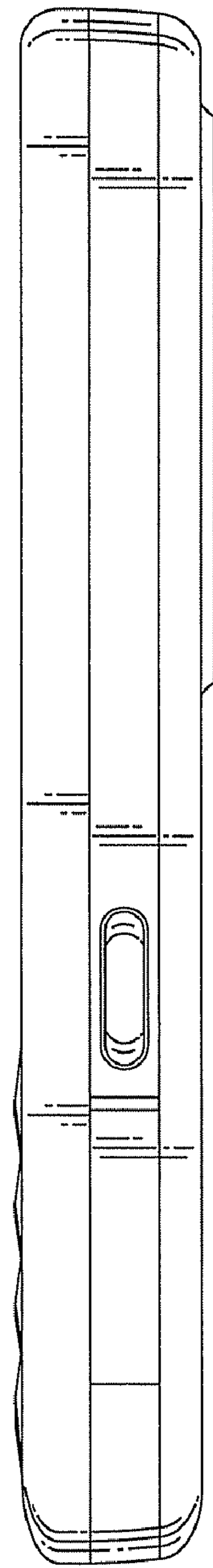


FIG. 6

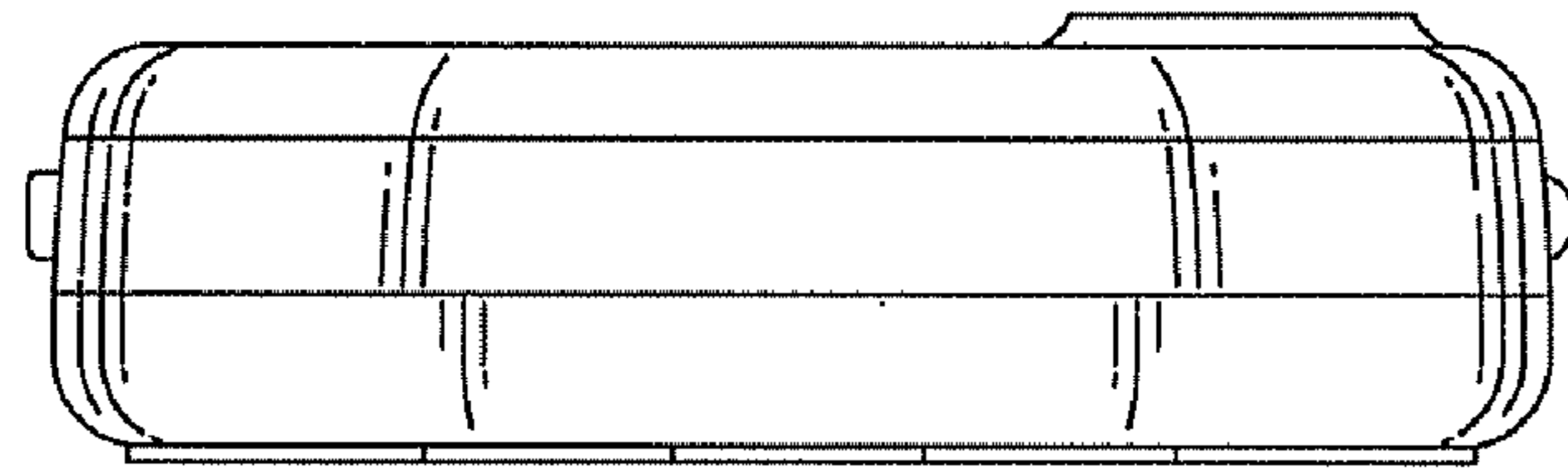


FIG. 7

