

US00D603821S

(12) **United States Design Patent**
Hansen

(10) **Patent No.:** **US D603,821 S**

(45) **Date of Patent:** **** Nov. 10, 2009**

(54) **SLIDER PHONE**

D576,141 S * 9/2008 Moon et al. D14/138 G
D576,144 S * 9/2008 Han et al. D14/138 AD

(75) Inventor: **Anders Hansen**, Lund (SE)

(Continued)

(73) Assignee: **Sony Ericsson Mobile Communications AB**, Lund (SE)

OTHER PUBLICATIONS

(**) Term: **14 Years**

Asus P535, announced Nov. 2006, [online], [retrieved on Feb. 20, 2007]. Retrieved from Internet ,<URL: <http://www.gsmarena.com>>.*

(21) Appl. No.: **29/325,021**

(Continued)

(22) Filed: **Sep. 25, 2008**

Primary Examiner—Jeffrey D Asch
Assistant Examiner—Bridget L Eland
(74) *Attorney, Agent, or Firm*—Young & Thompson

(30) **Foreign Application Priority Data**

Mar. 25, 2008 (EM) 000902663-0004
Mar. 25, 2008 (EM) 000902663-0005

(57) **CLAIM**

(51) **LOC (9) Cl.** **14-03**

The ornamental design for a slider phone, as shown and described.

(52) **U.S. Cl.** **D14/138 AD**

(58) **Field of Classification Search** D14/138 R,
D14/138 AD, 138 AC, 138 C, 138 G, 191,
D14/203.1–203.8, 496, 138 AA, 138 AB,
D14/247–248, 137, 147, 218, 341–347; D10/65,
D10/78, 104; D13/168; D18/7; 455/566,
455/575.1, 575.3

DESCRIPTION

See application file for complete search history.

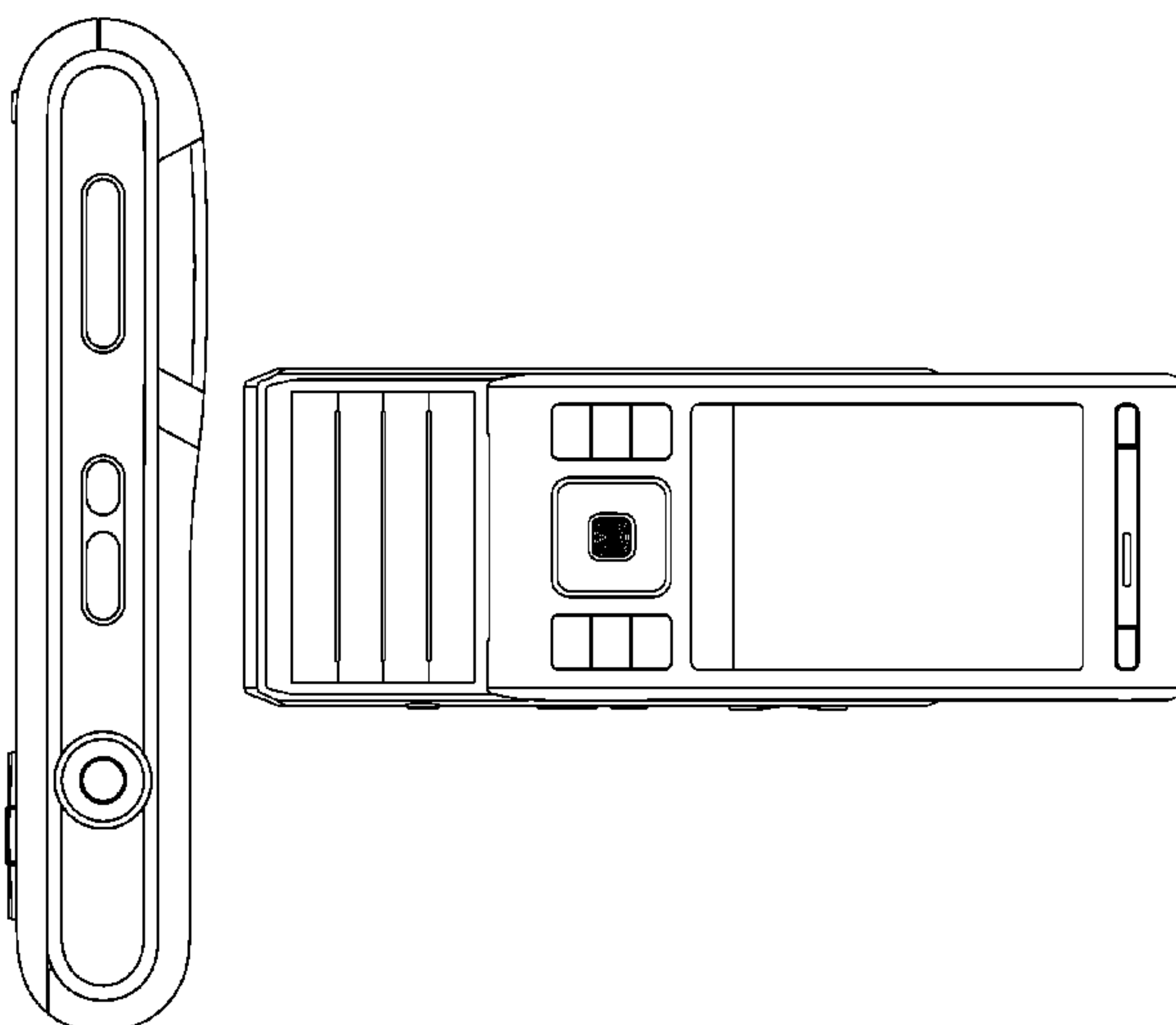
FIG. 1 is a front, side and bottom perspective view of a slider phone showing my new design;
FIG. 2 is a front elevational view thereof;
FIG. 3 is a left side elevational view thereof;
FIG. 4 is a right side elevational view thereof;
FIG. 5 is a rear elevational view thereof;
FIG. 6 is a top plan view thereof;
FIG. 7 is a bottom plan view thereof;
FIG. 8 is a rear, side and bottom perspective view thereof in an open position;
FIG. 9 is a front elevational view thereof in an open position;
FIG. 10 is a left side elevational view thereof in an open position;
FIG. 11 is a right side elevational view thereof in an open position; and,
FIG. 12 is a rear elevational view thereof in an open position.

(56) **References Cited**

U.S. PATENT DOCUMENTS

D517,042 S * 3/2006 Byun et al. D14/191
D547,743 S * 7/2007 Kim et al. D14/138 AA
D548,715 S * 8/2007 Lee et al. D14/138 AD
D554,096 S * 10/2007 Cho et al. D14/138 AD
D556,178 S * 11/2007 Kim et al. D14/138 AD
D558,619 S * 1/2008 Bloem D10/65
D559,823 S * 1/2008 Kim et al. D14/138 AB
D561,155 S * 2/2008 Kim et al. D14/138 AD
D561,204 S * 2/2008 Toh D14/496
D567,791 S * 4/2008 Chung et al. D14/138 AD
D568,861 S * 5/2008 Kim et al. D14/138 AD
D570,815 S * 6/2008 Son et al. D14/138 AD
D572,229 S * 7/2008 Kim et al. D14/138 AD
D572,699 S * 7/2008 Ahn et al. D14/138 G

1 Claim, 5 Drawing Sheets



U.S. PATENT DOCUMENTS

D579,904 S * 11/2008 Kim et al. D14/138 AD
D583,344 S * 12/2008 Sohn et al. D14/138 AD
D584,274 S * 1/2009 Kim et al. D14/138 AD
D585,418 S * 1/2009 Laine D14/138 AD
D589,021 S * 3/2009 Millora D14/138 AD
D590,796 S * 4/2009 Kim et al. D14/138 AD
D590,799 S * 4/2009 Laine D14/138 AD
D591,714 S * 5/2009 Kim et al. D14/138 AD
2006/0205438 A1* 9/2006 Jung 455/566
2006/0205450 A1* 9/2006 Amano et al. 455/575.4

OTHER PUBLICATIONS

Eten glofish M800, announced Oct. 2007, [online], [retrieved on Dec. 13, 2007]. Retrieved from Internet ,<URL: <http://www.gsmarena.com>>.*

Gigabyte g-Smart i (128), announced 2005, [online], [retrieved on Feb. 20, 2007]. Retrieved from Internet ,<URL: <http://www.gsmarena.com>>.*

LG V9000, announced Feb. 2006, [online], [retrieved on Feb. 20, 2007]. Retrieved from Internet ,<URL: <http://www.gsmarena.com>>.*

LG KU380, announced Nov. 2007, [online], [retrieved on Jan. 18, 2008]. Retrieved from Internet ,<URL: <http://www.gsmarena.com>>.*

LG KC550, announced May 2008, [online], [retrieved on May 30, 2008]. Retrieved from Internet ,<URL: <http://www.gsmarena.com>>.*

LG KS500, announced Oct. 2008, [online], [retrieved on Nov. 8, 2008]. Retrieved from Internet ,<URL: <http://www.gsmarena.com>>.*

Sony Ericsson C905, announced Jun. 2008, [online], [retrieved on Jun. 27, 2008]. Retrieved from Internet ,<URL: <http://www.gsmarena.com>>.*

* cited by examiner

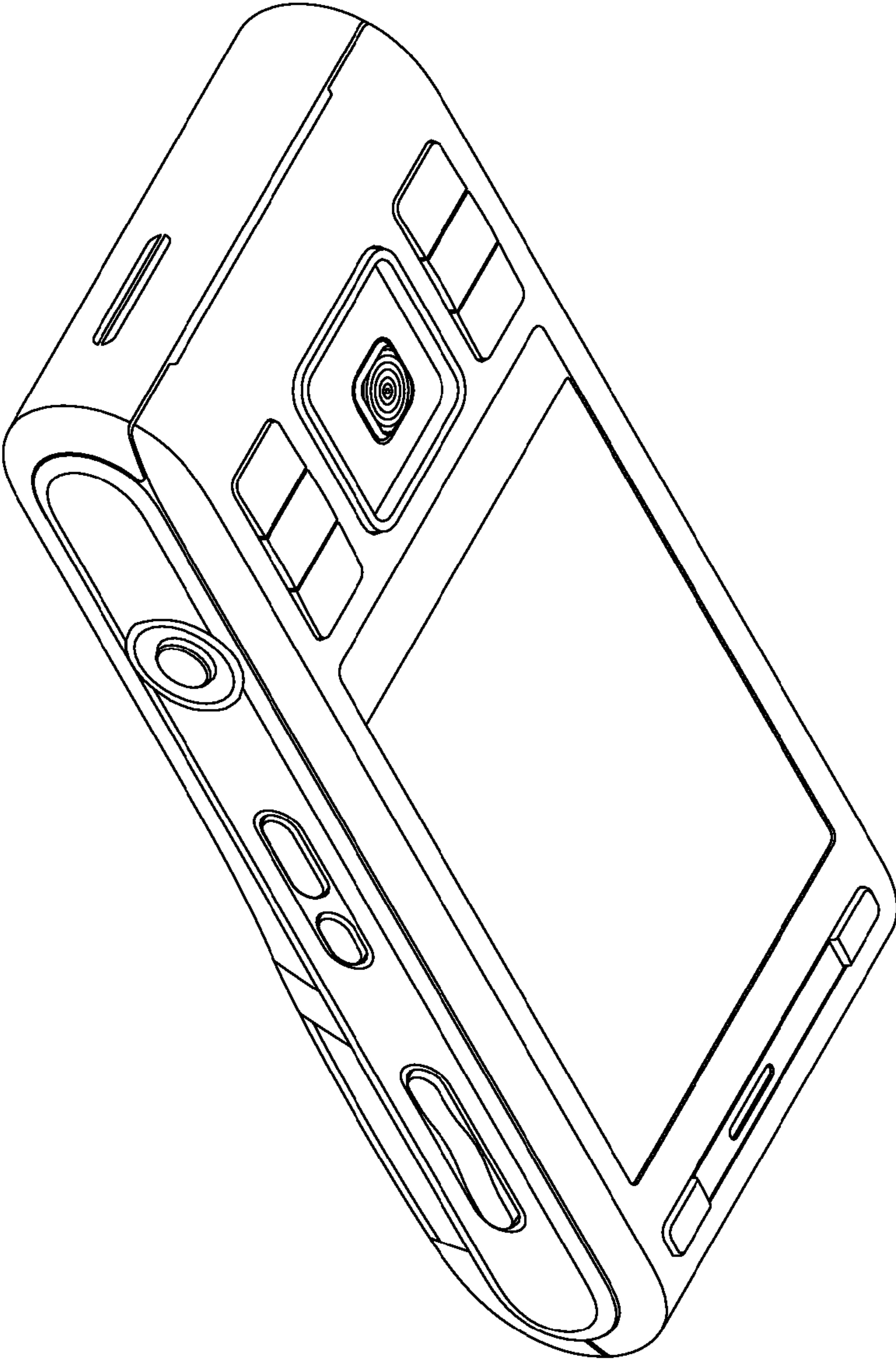


FIGURE 1

FIGURE 6

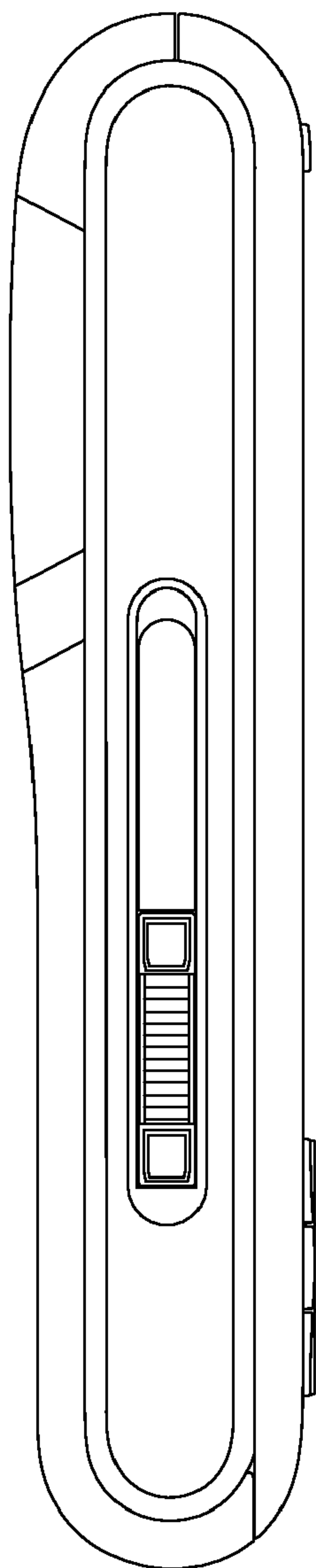
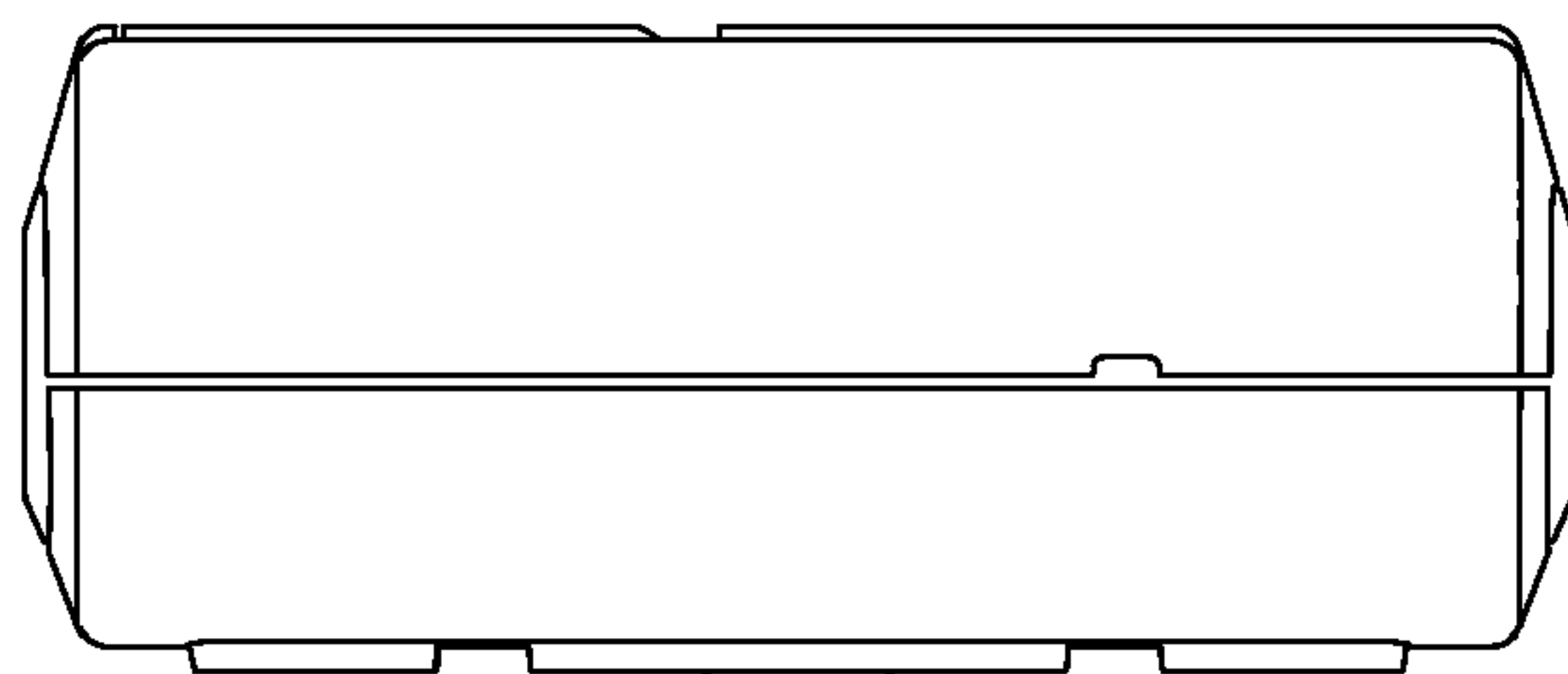


FIGURE 3

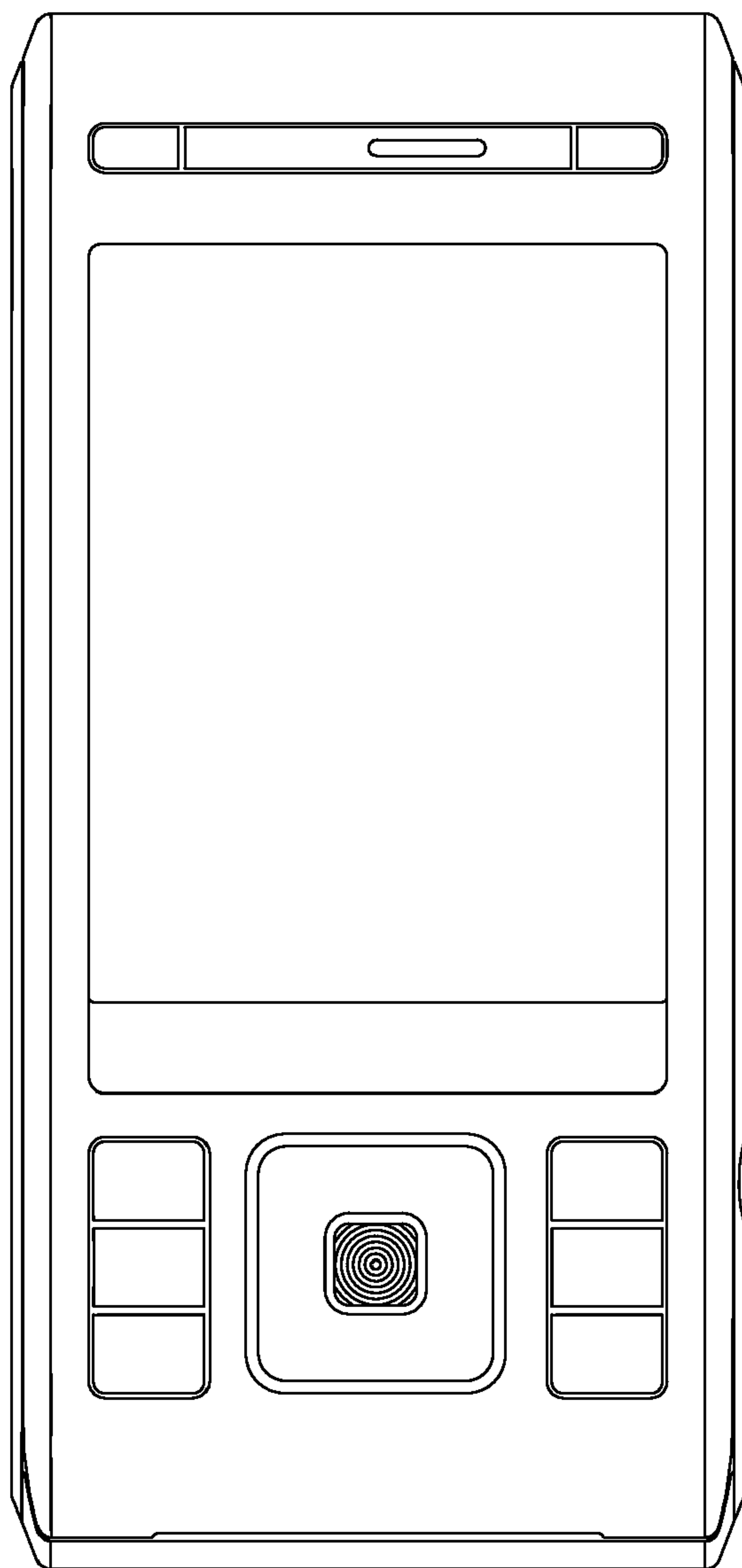


FIGURE 2

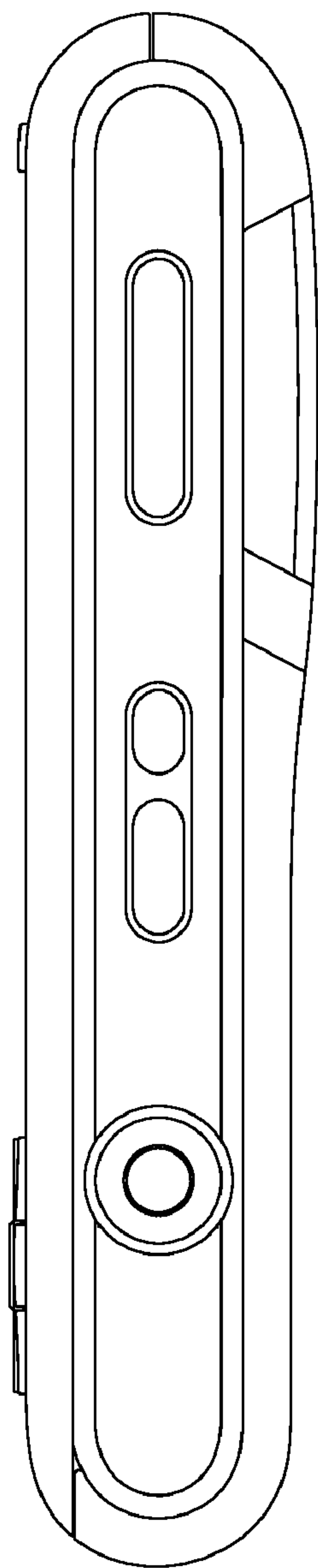


FIGURE 4

FIGURE 5

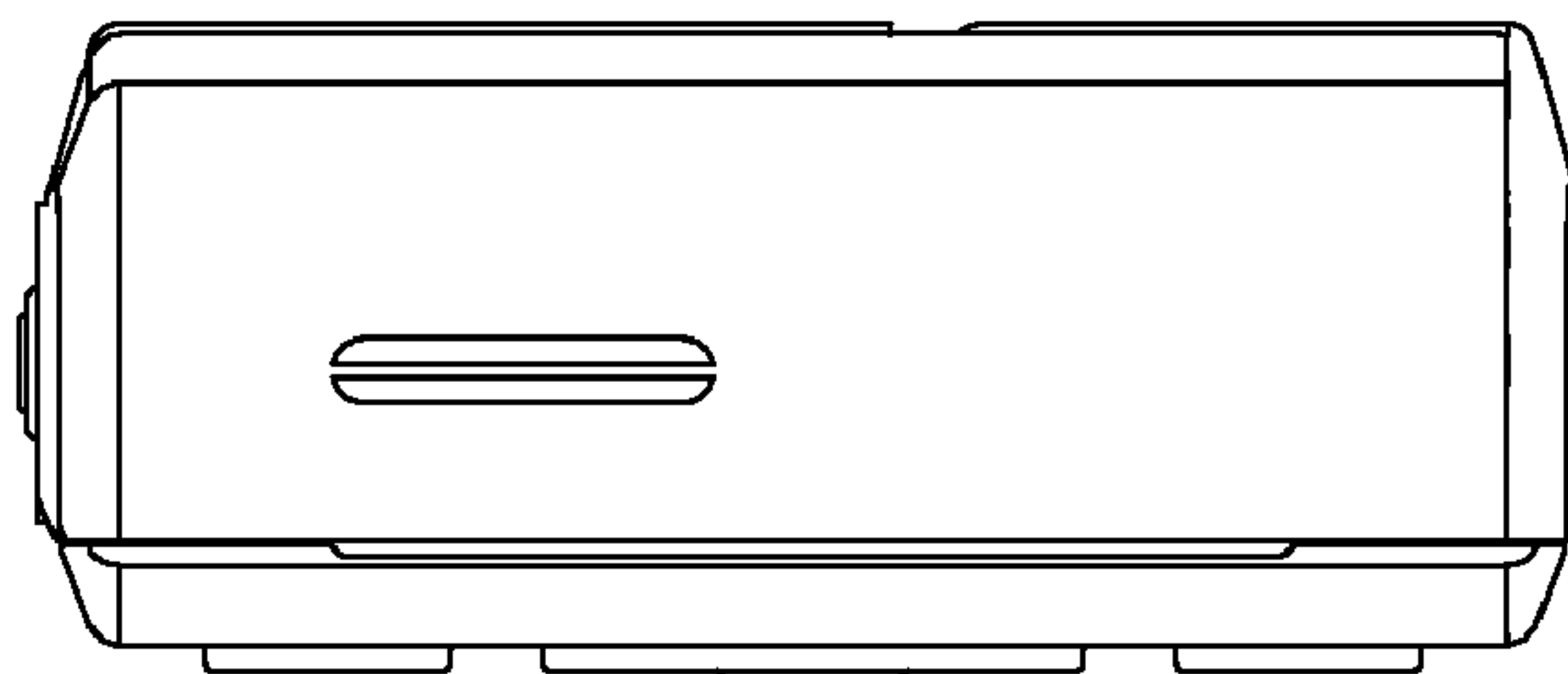
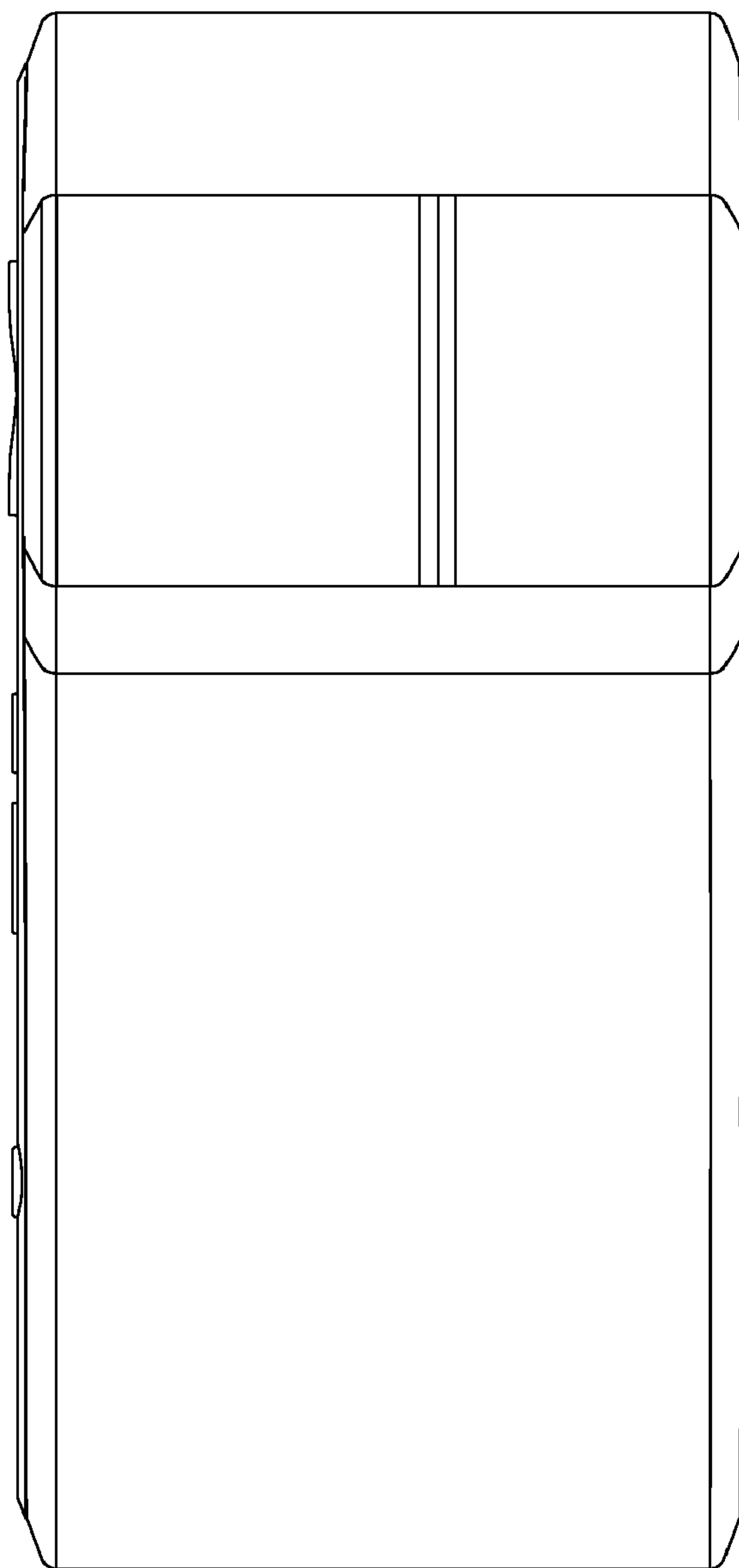


FIGURE 7

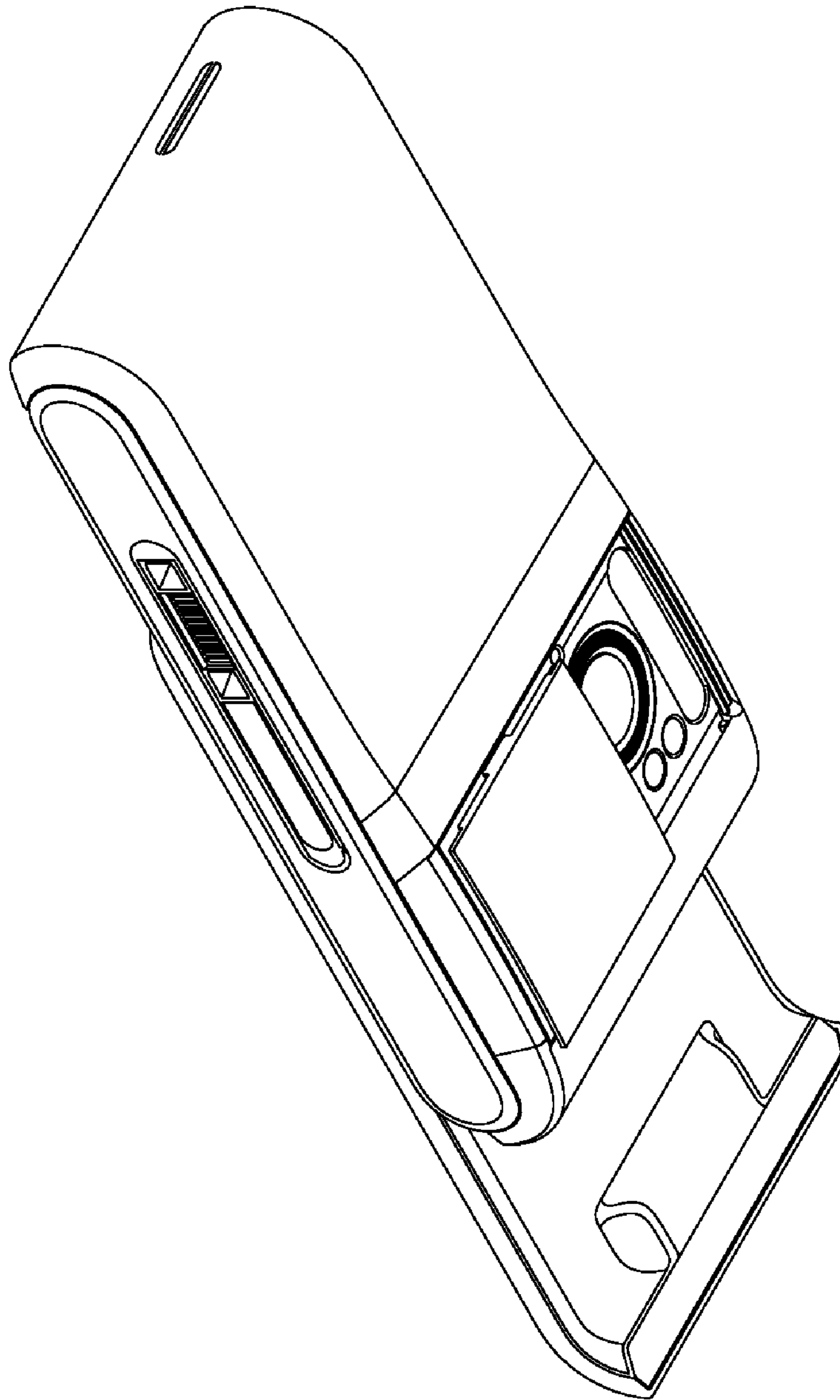


FIGURE 8

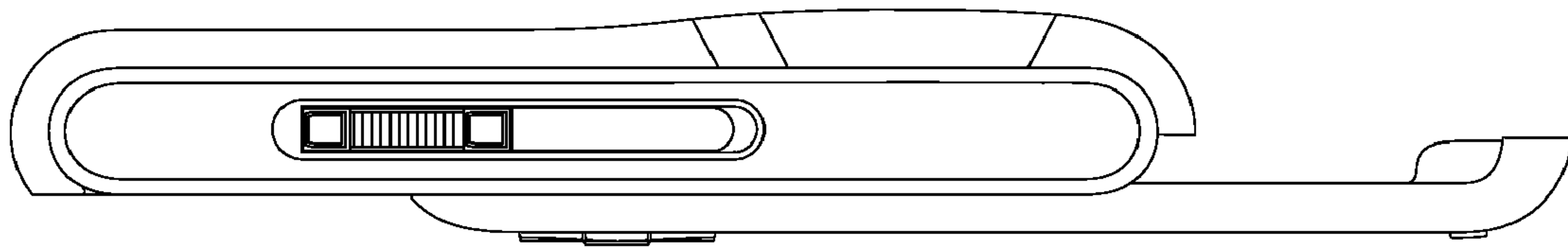


FIGURE 10

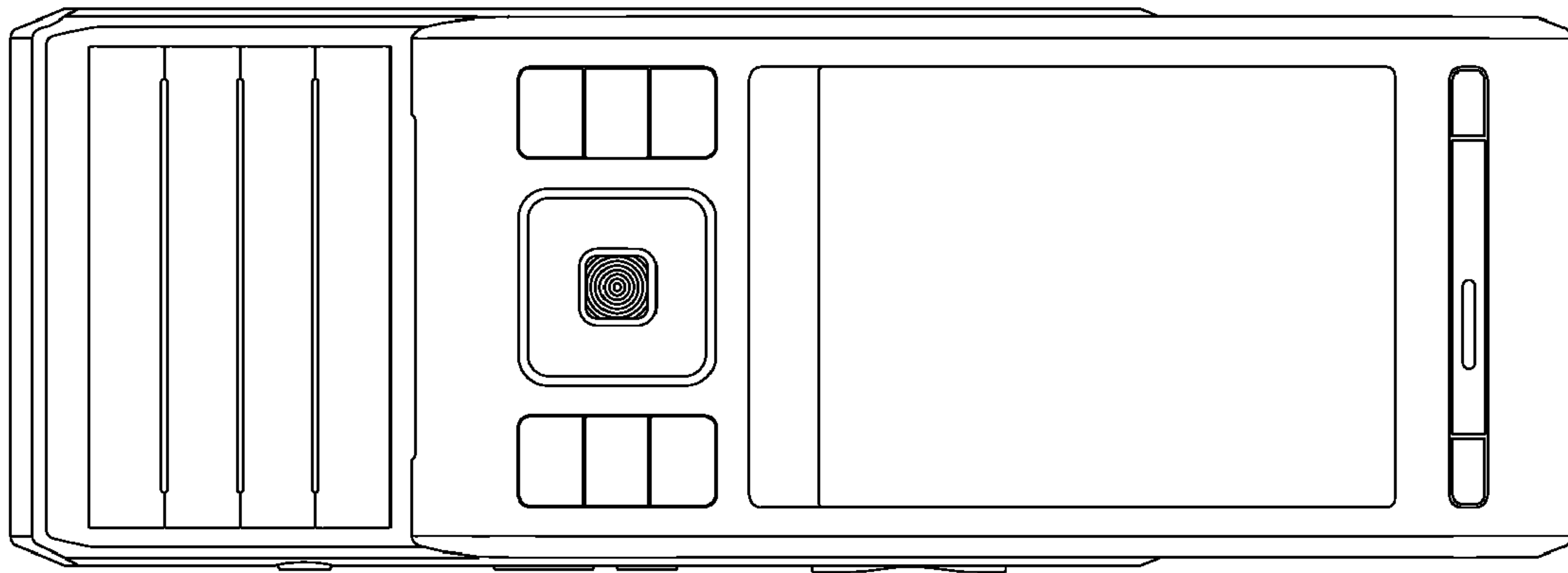


FIGURE 9

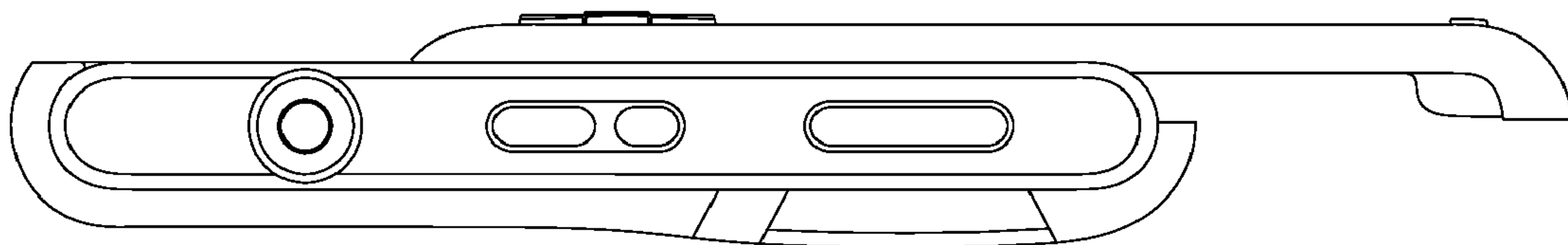


FIGURE 11

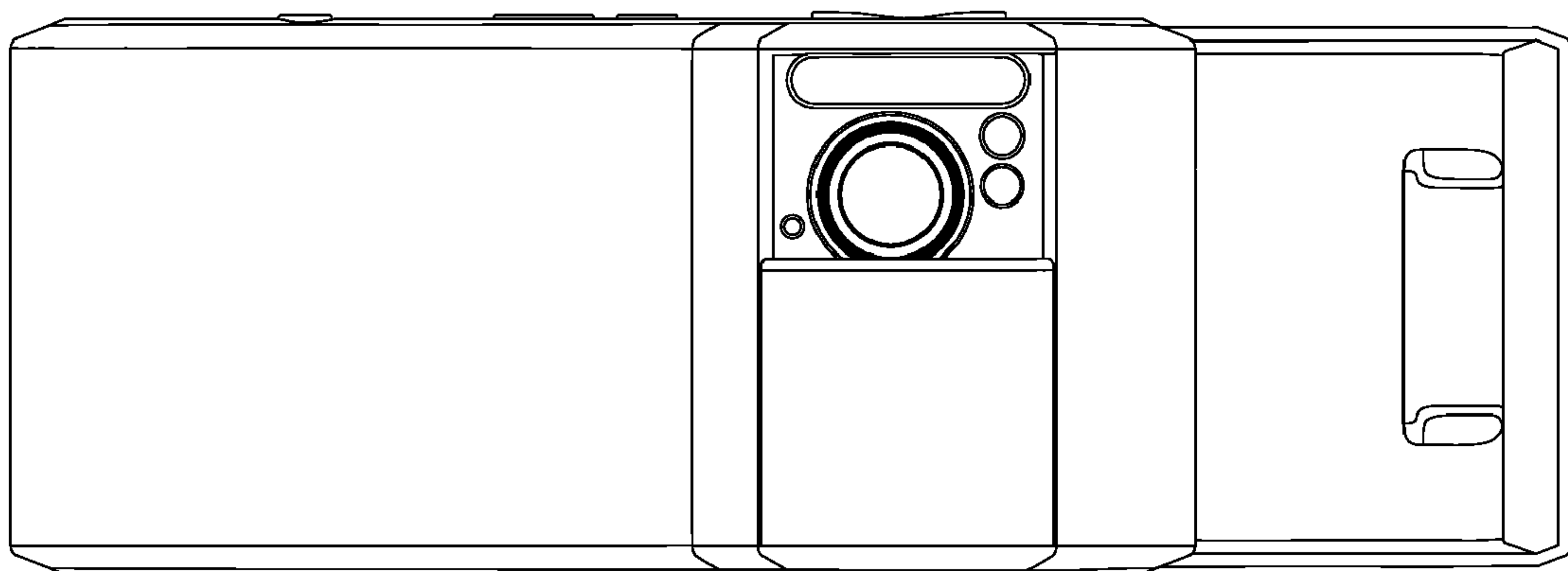


FIGURE 12