



US00D603817S

(12) **United States Design Patent**  
**Kim et al.**

(10) **Patent No.:** **US D603,817 S**  
(45) **Date of Patent:** **\*\* Nov. 10, 2009**

(54) **TV RECEIVER**

(75) Inventors: **Kyoung Hoon Kim**, Seoul (KR); **Jun Ho Yang**, Kyungki-Do (KR); **Yun Je Kang**, Kyungki-Do (KR)

(73) Assignee: **Samsung Electronics Co., Ltd.**, Suwon (KR)

(\*\*) Term: **14 Years**

(21) Appl. No.: **29/335,493**

(22) Filed: **Apr. 16, 2009**

(51) **LOC (9) Cl.** ..... **14-03**

(52) **U.S. Cl.** ..... **D14/126**

(58) **Field of Classification Search** ..... D14/125-134,  
D14/239, 371-377, 440, 450; 312/7.2; 348/836,  
348/838, 180, 184; 341/12; 248/917-924,  
248/465; 345/104, 133, 156, 168, 87, 173;  
D21/329, 515, 577, 622, 333, 433, 448, 452,  
D21/450, 331; D6/477, 479, 300; 273/148 B;  
446/484, 176, 356; D10/15, 26

See application file for complete search history.

(56) **References Cited**

**U.S. PATENT DOCUMENTS**

D500,991 S \* 1/2005 Niitsu ..... D14/126

D545,315 S \* 6/2007 Kim ..... D14/375  
D548,708 S \* 8/2007 Park et al. .... D14/126  
D582,365 S \* 12/2008 Yang et al. .... D14/126  
D584,258 S \* 1/2009 Yang et al. .... D14/126

\* cited by examiner

*Primary Examiner*—Raphael Barkai

(74) *Attorney, Agent, or Firm*—Ladas and Parry LLP

(57) **CLAIM**

I claim the ornamental design for TV receiver, as shown.

**DESCRIPTION**

FIG. 1 is a front/right-side/top perspective view of a TV receiver showing our new design;

FIG. 2 is a front-side elevational view thereof;

FIG. 3 is a rear-side elevational view thereof;

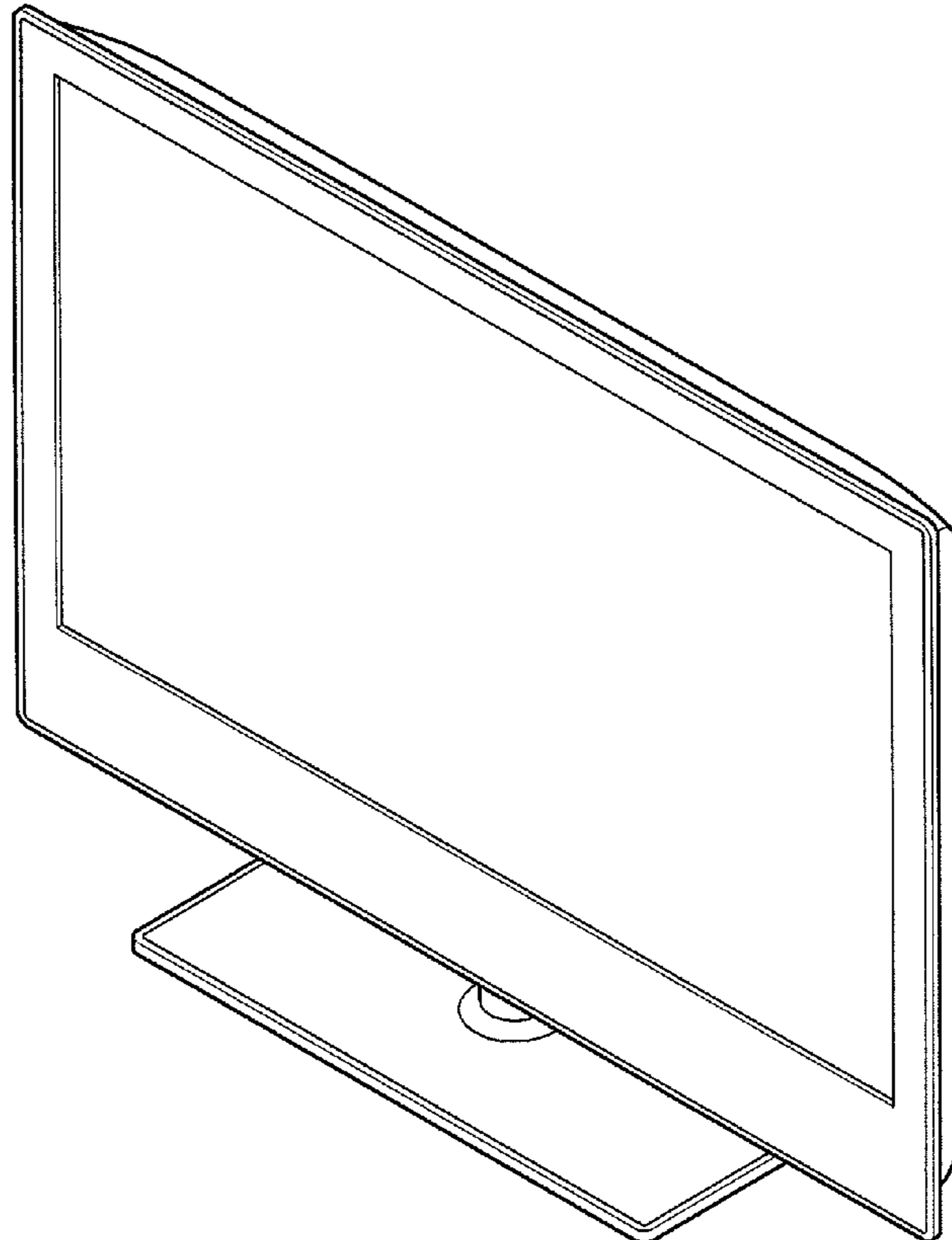
FIG. 4 is a left-side elevational view thereof;

FIG. 5 is a right-side elevational view thereof;

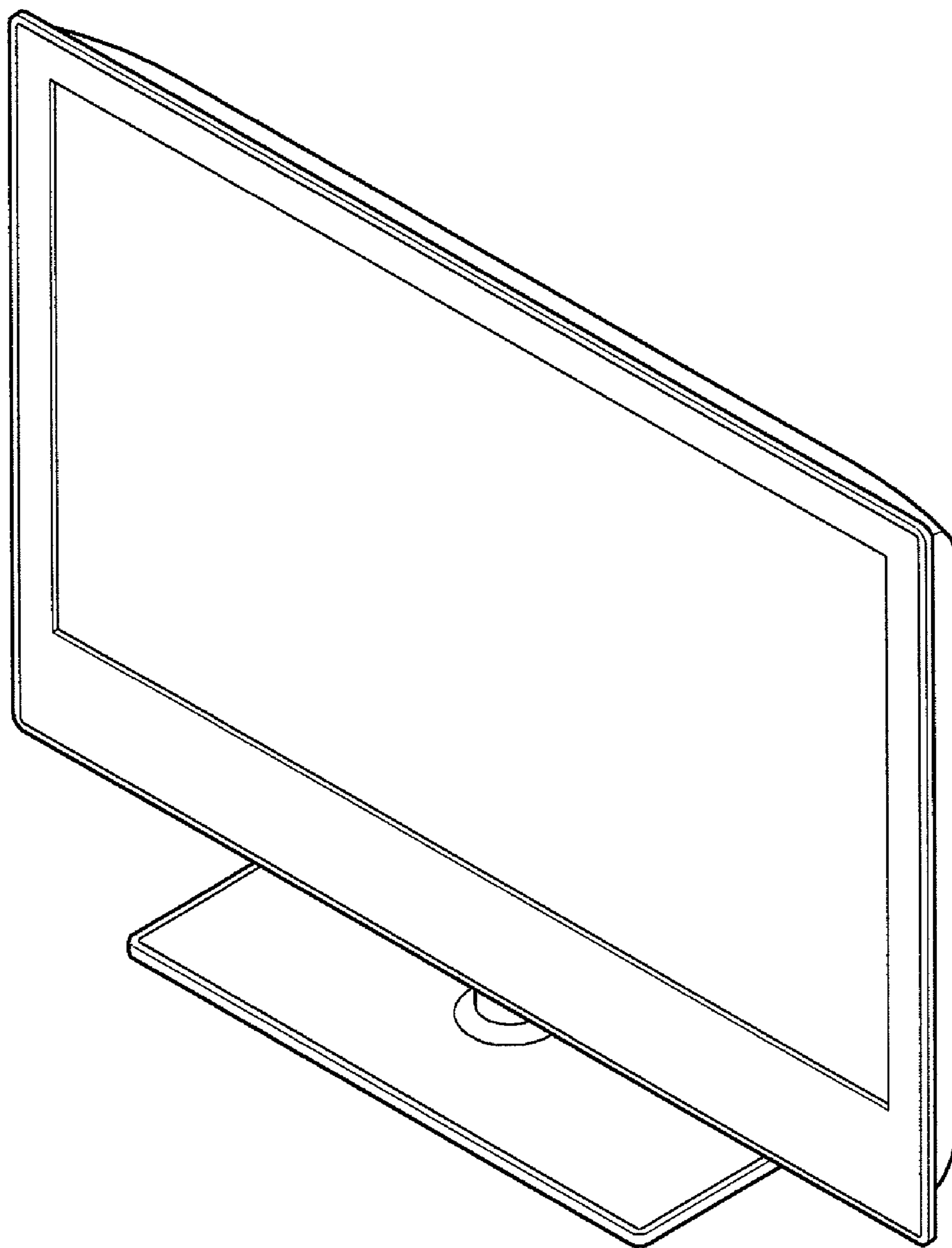
FIG. 6 is a top-side elevational view thereof; and,

FIG. 7 is a bottom-side elevational view thereof.

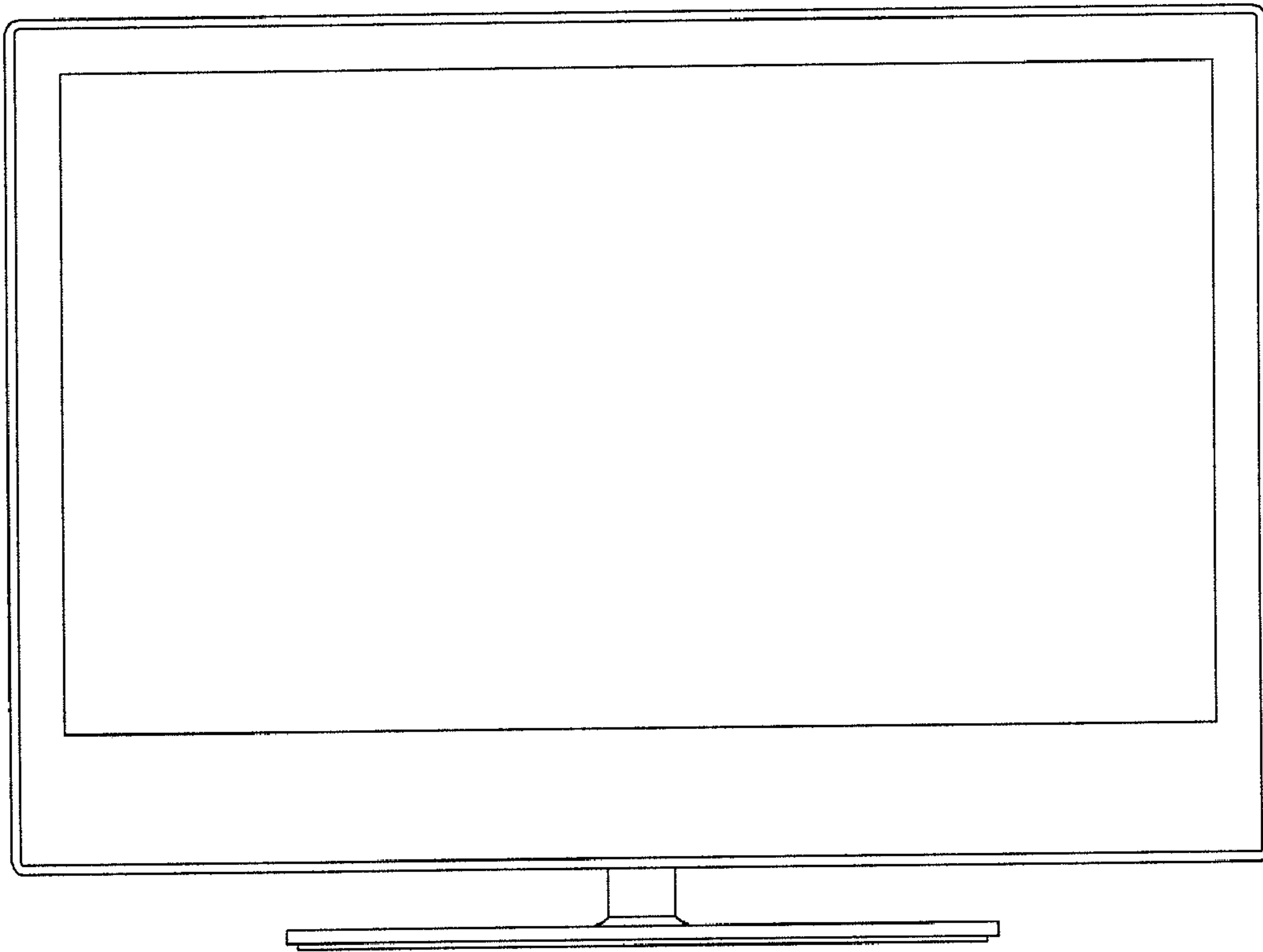
**1 Claim, 6 Drawing Sheets**



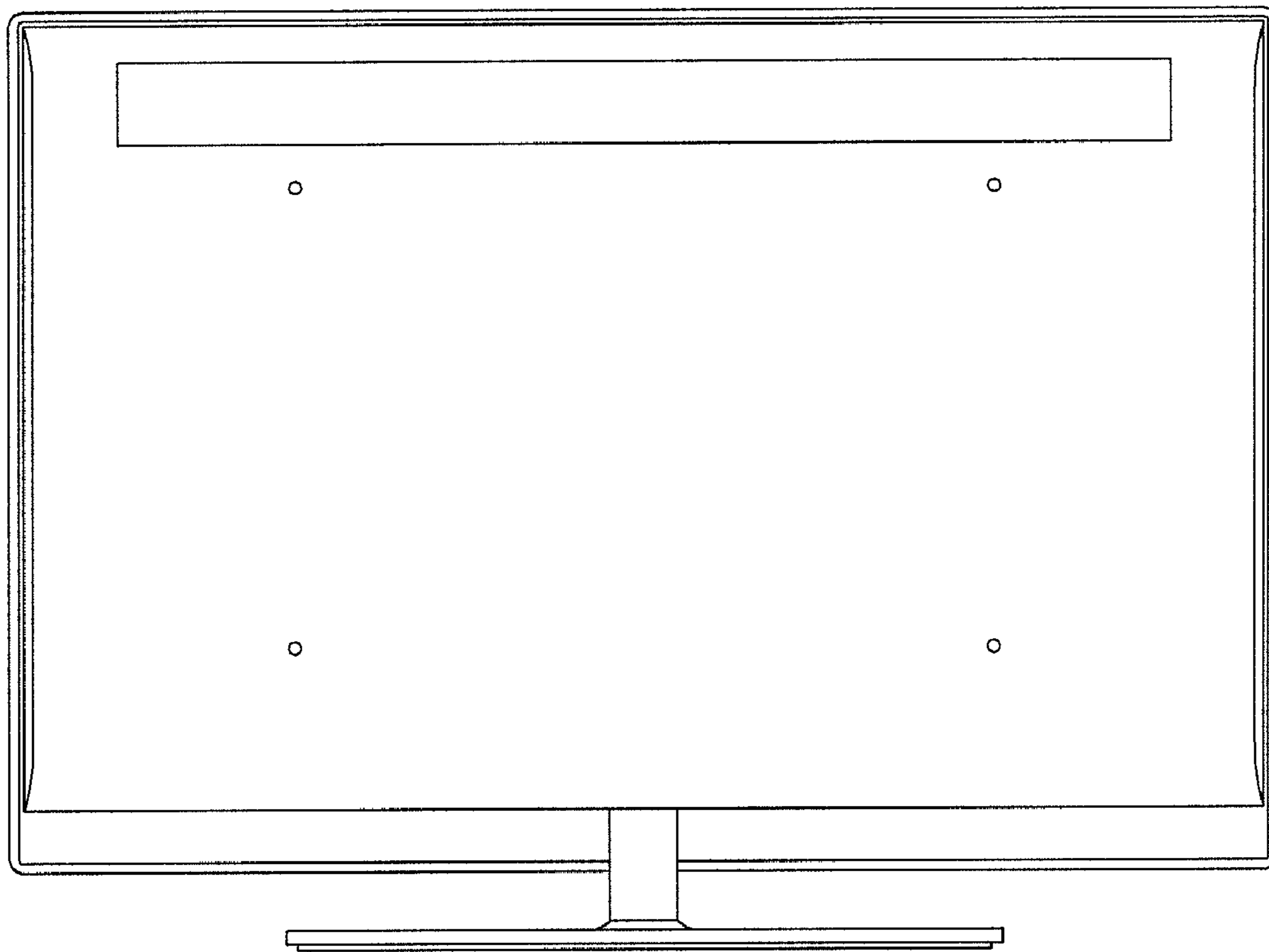
**FIG. 1**



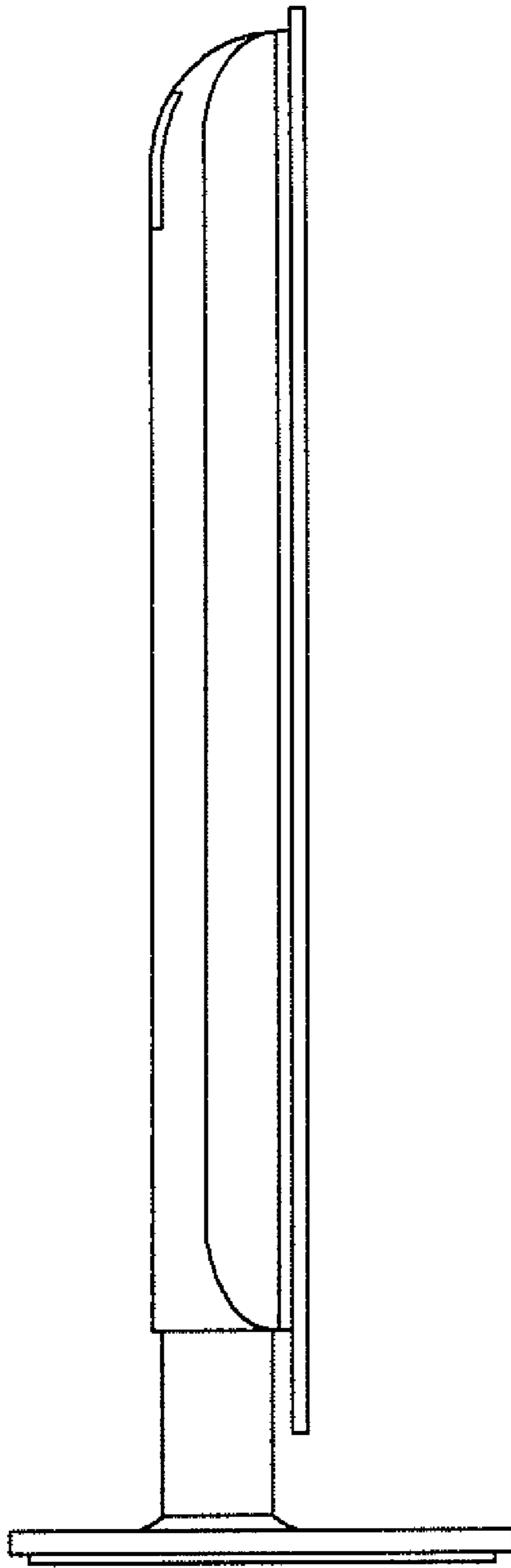
**FIG. 2**



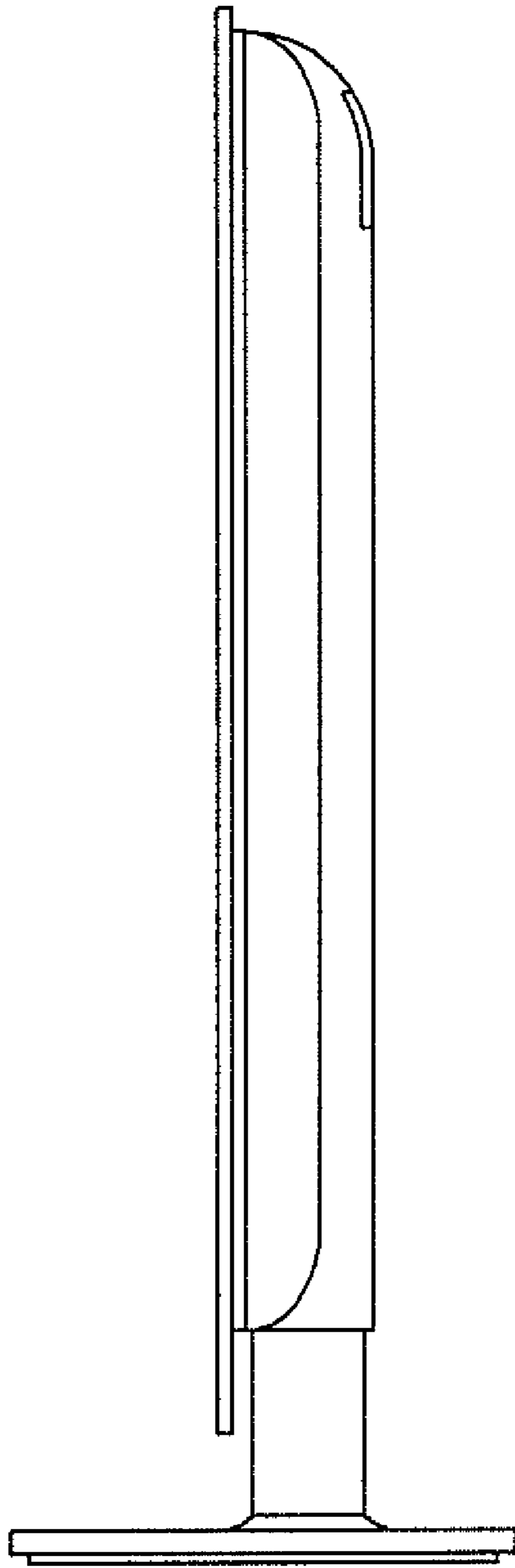
**FIG. 3**



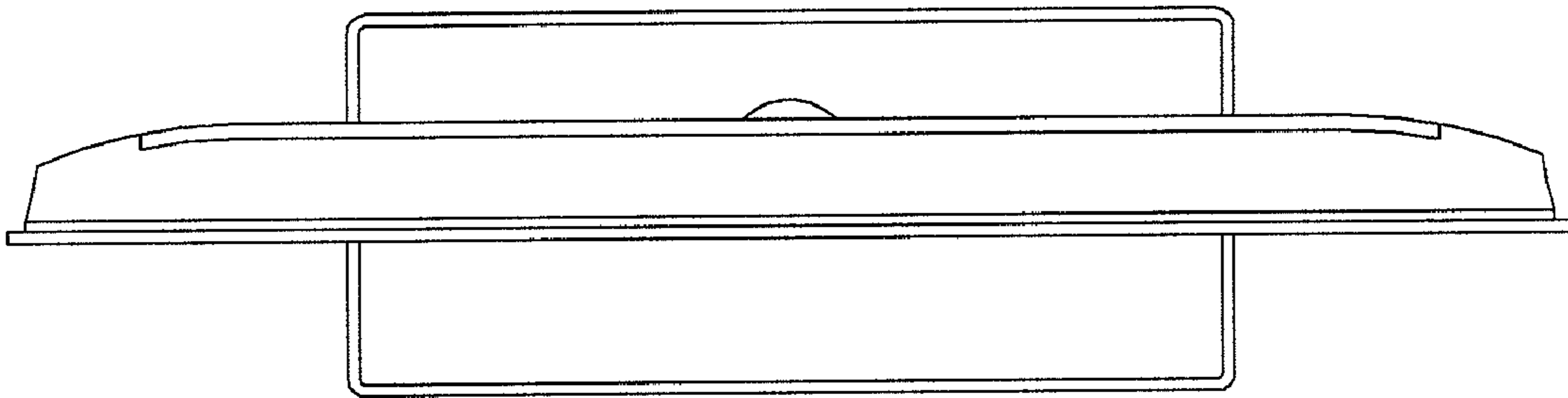
**FIG. 4**



**FIG. 5**



**FIG. 6**



**FIG. 7**

