



US00D603816S

(12) **United States Design Patent**
Kim et al.

(10) **Patent No.:** **US D603,816 S**
(45) **Date of Patent:** **** Nov. 10, 2009**

(54) **TV RECEIVER**

(75) Inventors: **Kyoung Hoon Kim**, Seoul (KR); **Jun Ho Yang**, Kyungki-Do (KR); **Yun Je Kang**, Kyungki-Do (KR)

(73) Assignee: **Samsung Electronics Co., Ltd.**, Suwon (KR)

(**) Term: **14 Years**

(21) Appl. No.: **29/335,486**

(22) Filed: **Apr. 16, 2009**

(51) **LOC (9) Cl.** **14-03**

(52) **U.S. Cl.** **D14/126**

(58) **Field of Classification Search** D14/125-134,
D14/239, 371, 136, 374-377, 440, 450, 448,
D14/336, 342; 312/7.2; 348/836, 838, 180,
348/184, 325, 739; 341/12; 248/917-924,
248/465; 345/104, 133, 156, 168, 87, 173;
720/605, 669, 600, 655; 369/99, 197; D21/329,
D21/515, 577, 622, 333, 433, 448, 452, 450,
D21/331; D6/477, 479, 300; 273/148 B;
446/484, 175, 356; D10/15, 26
See application file for complete search history.

(56) **References Cited**

U.S. PATENT DOCUMENTS

D455,131 S * 4/2002 Reynaga et al. D14/126

D524,313 S * 7/2006 Boo et al. D14/375
D534,138 S * 12/2006 Lee et al. D14/126
D545,776 S * 7/2007 Kwon D14/126
D548,708 S * 8/2007 Park et al. D14/126
2003/0058372 A1* 3/2003 Williams et al. 348/836

* cited by examiner

Primary Examiner—Raphael Barkai

(74) *Attorney, Agent, or Firm*—Ladas and Parry LLP

(57) **CLAIM**

I claim the ornamental design for TV receiver, as shown.

DESCRIPTION

FIG. 1 is a front/right-side/top perspective view of a TV receiver showing our new design;

FIG. 2 is a front-side elevational view thereof;

FIG. 3 is a rear-side elevational view thereof;

FIG. 4 is a left-side elevational view thereof;

FIG. 5 is a right-side elevational view thereof;

FIG. 6 is a top-side elevational view thereof; and,

FIG. 7 is a bottom-side elevational view thereof.

1 Claim, 6 Drawing Sheets

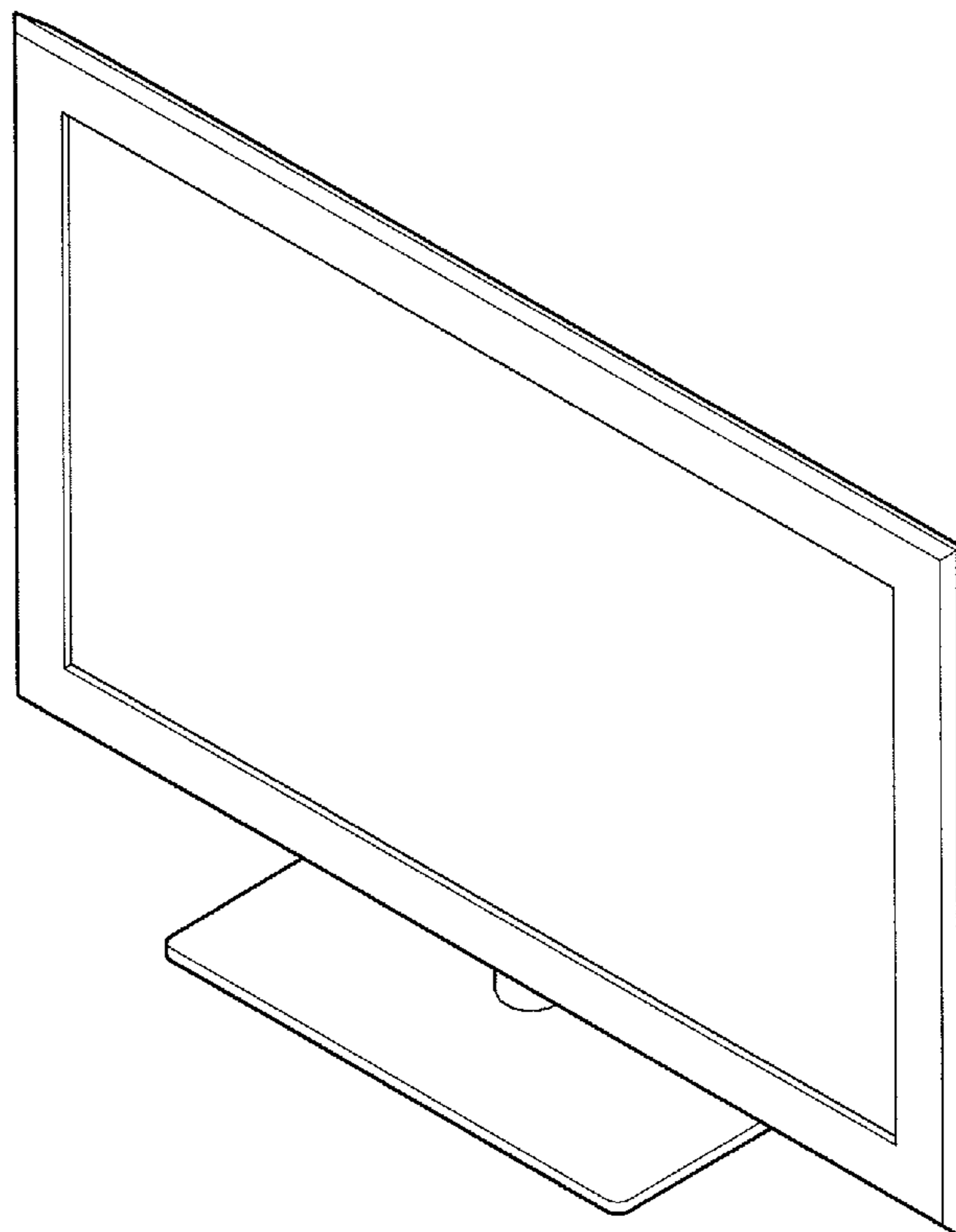


FIG. 1

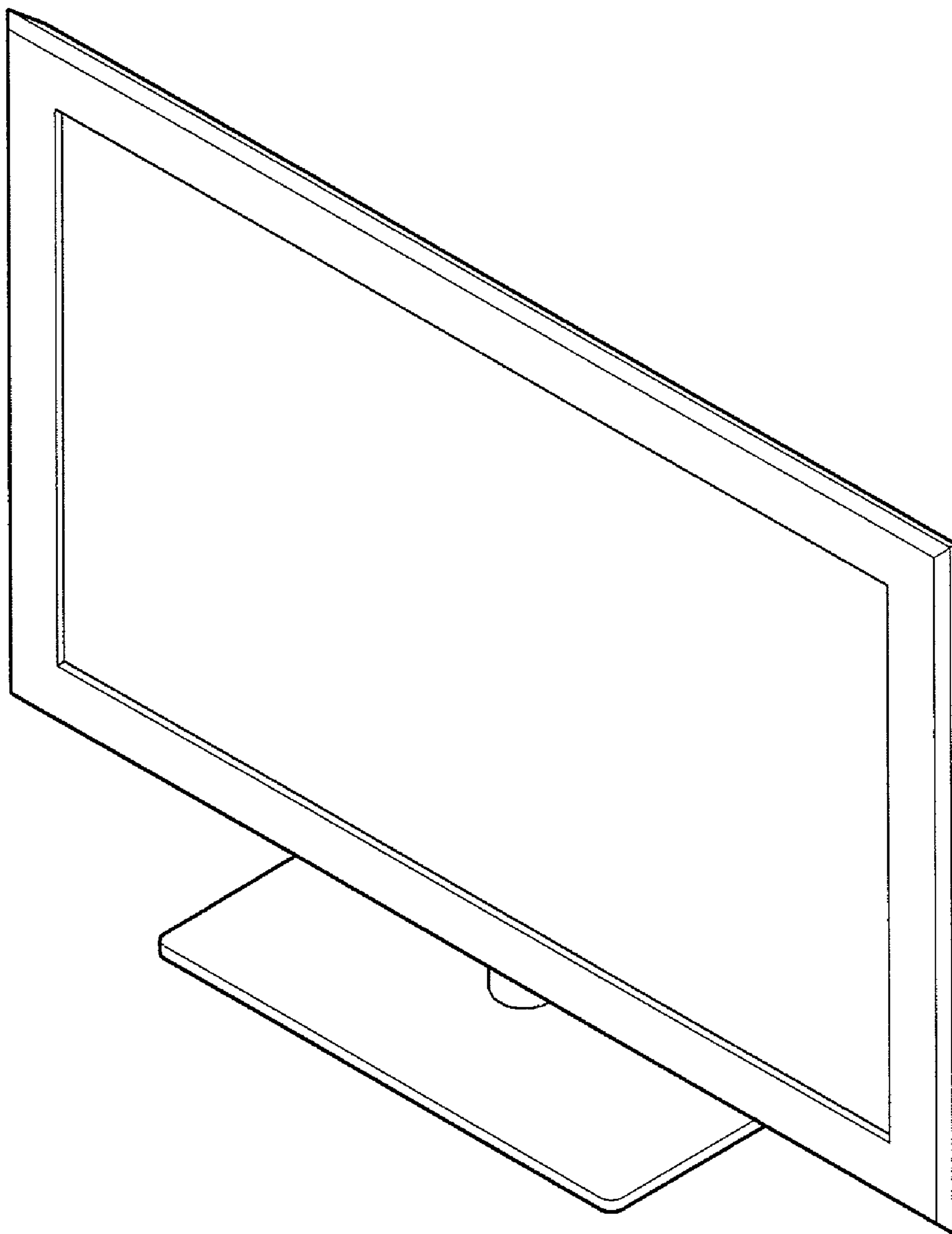


FIG. 2

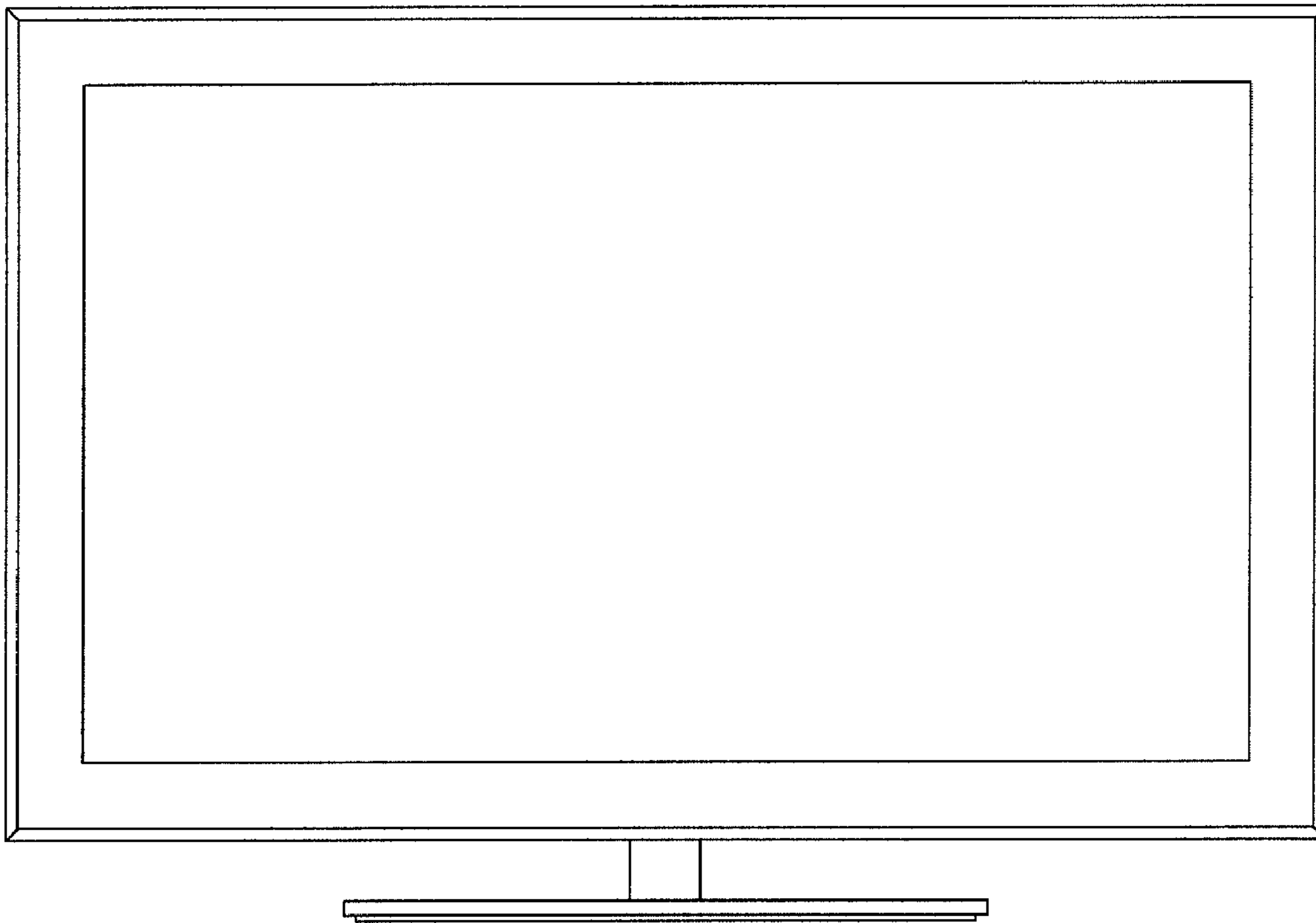


FIG. 3

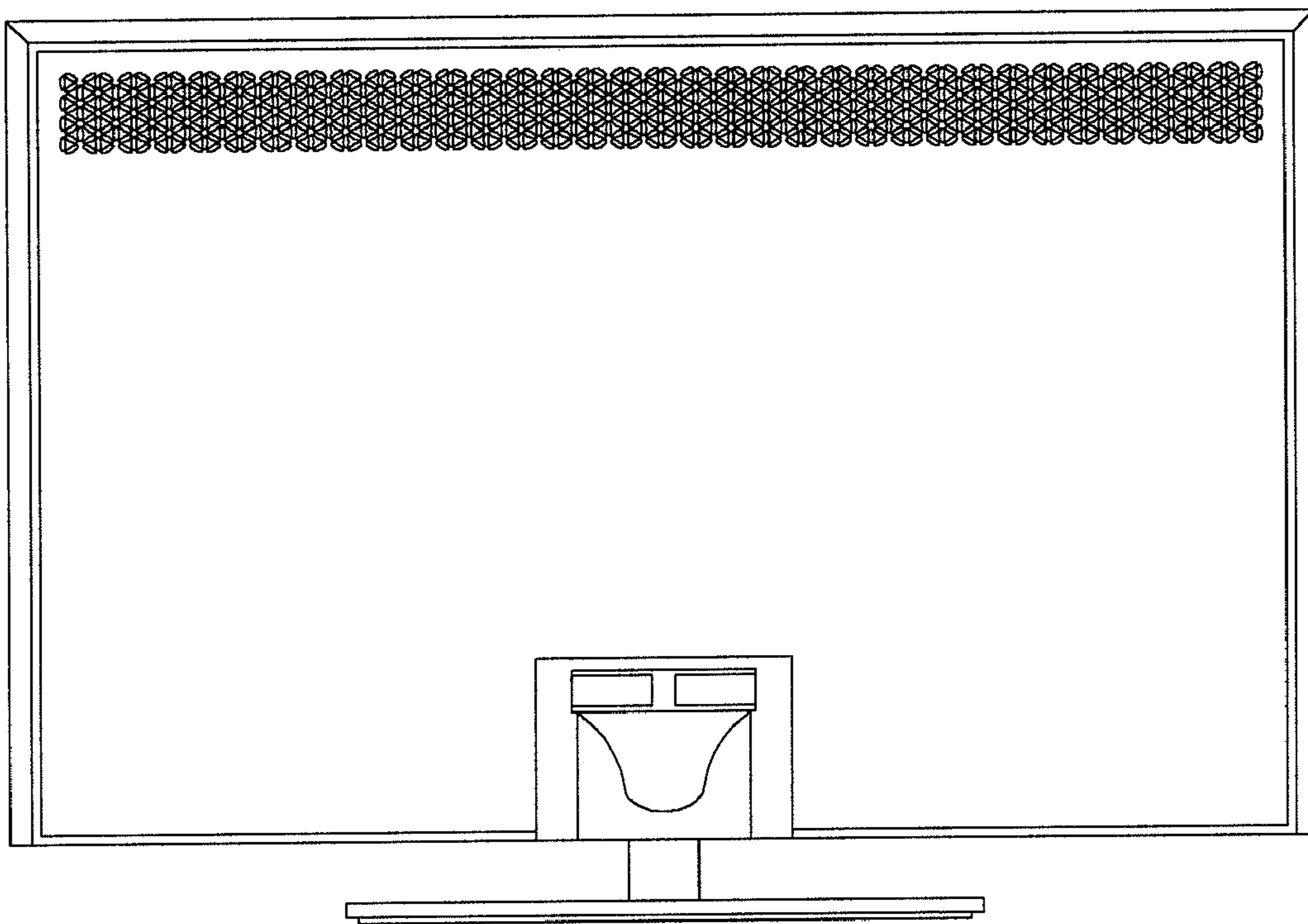


FIG. 4

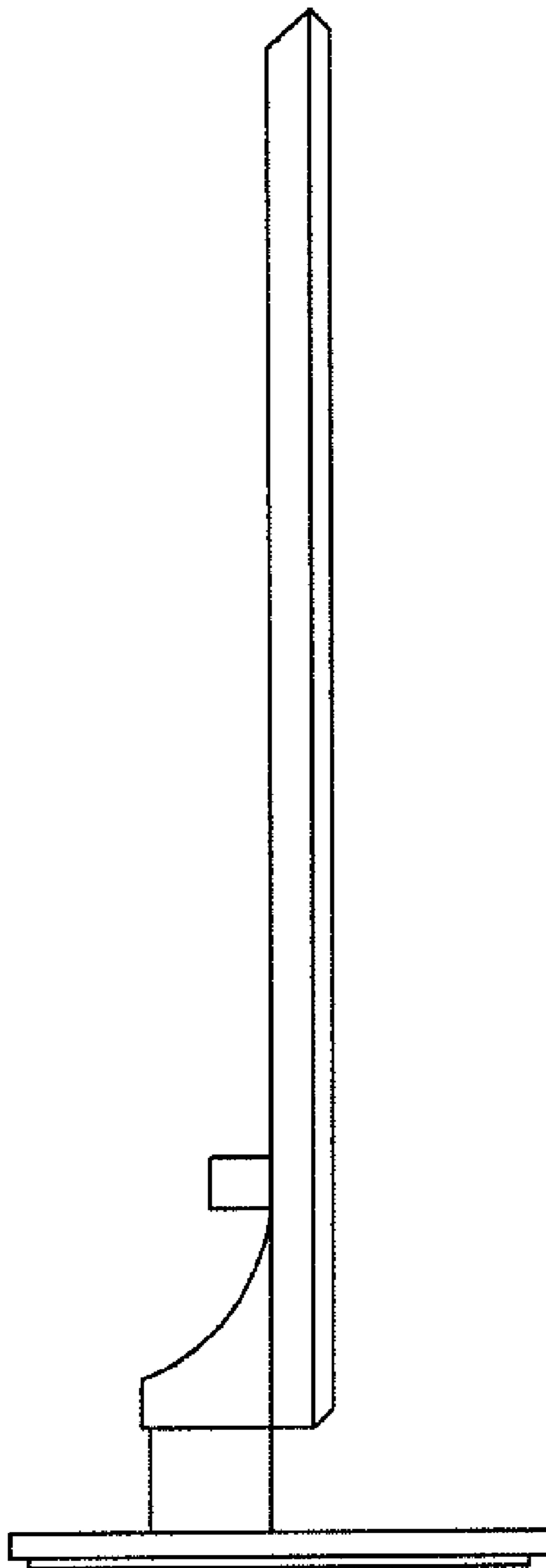


FIG. 5

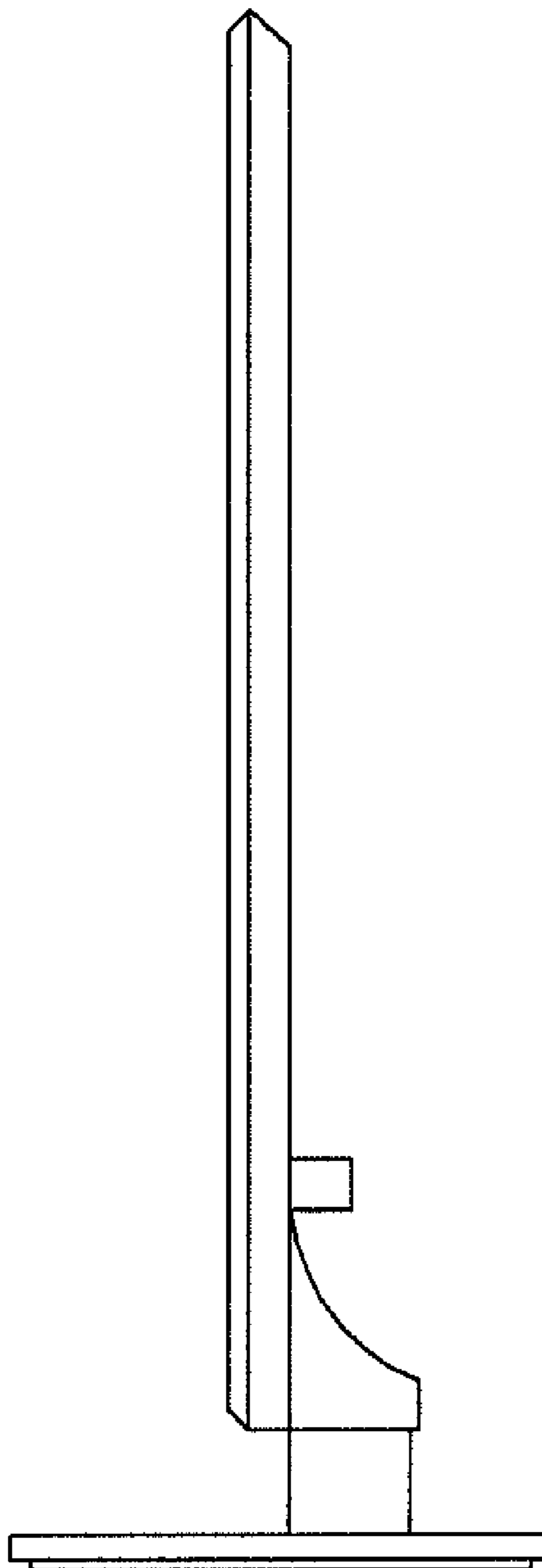


FIG. 6

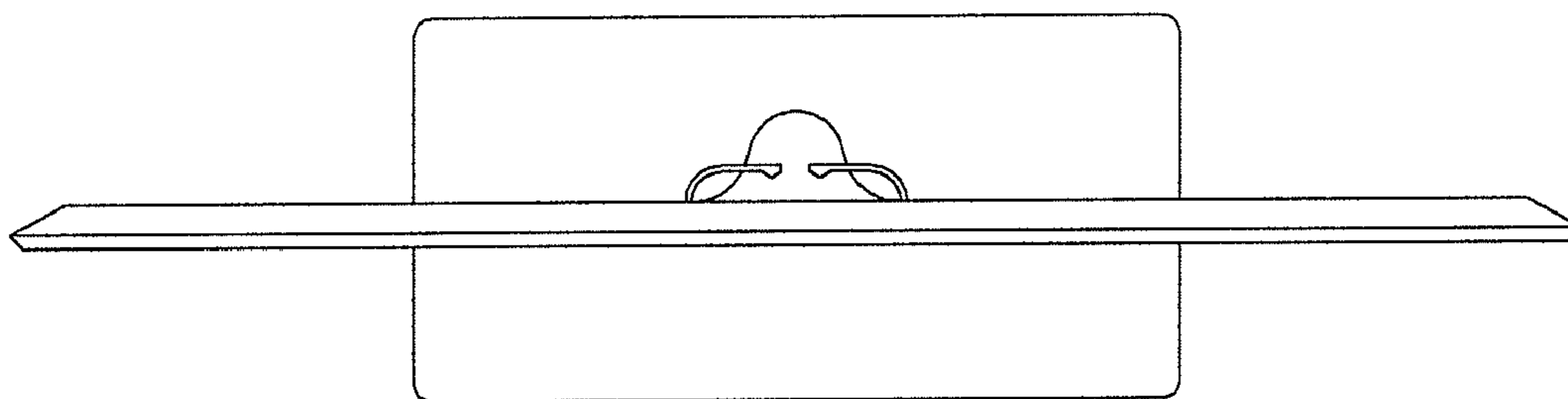


FIG. 7

