



US00D603815S

(12) **United States Design Patent**  
**Hirasawa et al.**

(10) **Patent No.:** **US D603,815 S**

(45) **Date of Patent:** **\*\* \*Nov. 10, 2009**

(54) **DISPLAY**

(75) Inventors: **Kenichi Hirasawa**, Tokyo (JP);  
**Yoshihito Mochizuki**, Tokyo (JP);  
**Chin-Jen Lin**, Taipei (TW)

(73) Assignee: **NEC Display Solutions, Ltd.**, Tokyo (JP)

(\*) Notice: This patent is subject to a terminal disclaimer.

(\*\*) Term: **14 Years**

(21) Appl. No.: **29/321,624**

(22) Filed: **Jul. 21, 2008**

(30) **Foreign Application Priority Data**

Jan. 28, 2008 (JP) ..... 2008-001589

(51) **LOC (9) Cl.** ..... **14-03**

(52) **U.S. Cl.** ..... **D14/126**

(58) **Field of Classification Search** ..... D14/125-134,  
D14/239, 371, 136, 374-377, 440, 450, 448,  
D14/336, 342; 312/7.2; 348/836, 838, 180,  
348/184, 325, 739; 341/12; 248/917-924,  
248/465; 345/104, 133, 156, 168, 87, 173;  
720/605, 669, 600, 655; 369/99, 197; 455/344,  
455/347; D21/329, 515, 577, 622, 333, 433,  
D21/448, 452, 450, 331; D6/477, 479, 300;  
273/148 B; 446/484, 175, 356; D10/15,  
D10/26

See application file for complete search history.

(56) **References Cited**

**U.S. PATENT DOCUMENTS**

D434,738 S \* 12/2000 Takemasa ..... D14/133  
D469,432 S \* 1/2003 Tsuji ..... D14/375  
D483,020 S \* 12/2003 Nagao et al. .... D14/126  
D517,549 S \* 3/2006 Depay ..... D14/375

D517,551 S \* 3/2006 Kim et al. .... D14/375  
D529,498 S \* 10/2006 Chen et al. .... D14/375  
D540,321 S \* 4/2007 Hasegawa et al. .... D14/375  
D541,773 S \* 5/2007 Chong et al. .... D14/126  
D550,222 S \* 9/2007 Park ..... D14/375  
D554,120 S \* 10/2007 Hasegawa et al. .... D14/375  
D556,709 S \* 12/2007 Kim et al. .... D14/126  
D558,200 S \* 12/2007 Tsai ..... D14/375  
D578,529 S \* 10/2008 Huang et al. .... D14/375  
D578,530 S \* 10/2008 Hasegawa et al. .... D14/375  
2004/0113031 A1 \* 6/2004 Sung ..... 248/917

\* cited by examiner

*Primary Examiner*—Raphael Barkai

(74) *Attorney, Agent, or Firm*—Sughrue Mion, PLLC

(57) **CLAIM**

The ornamental design for a display, as shown and described.

**DESCRIPTION**

FIG. 1 is a front, right side, top perspective view of a display showing our new design;

FIG. 2 is a front elevational view thereof;

FIG. 3 is a rear elevational view thereof;

FIG. 4 is a left side view thereof;

FIG. 5 is a right side view thereof;

FIG. 6 is a top plan view thereof;

FIG. 7 is a bottom plan view thereof;

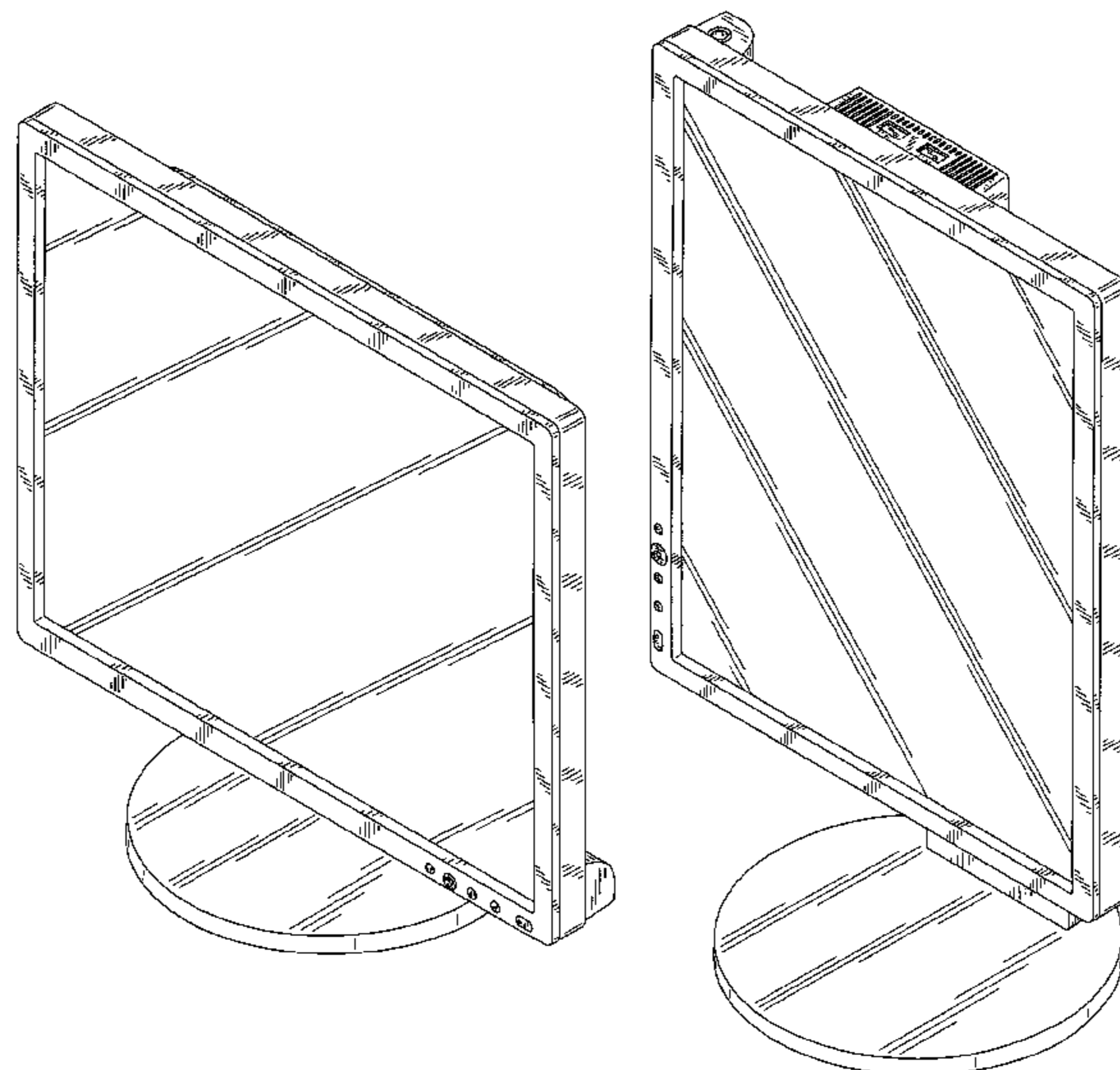
FIG. 8 is a perspective view thereof showing a state in which the leg part is extended;

FIG. 9 is a rear elevational view thereof showing a state in which the leg part is extended;

FIG. 10 is a right side view thereof showing a state in which the leg part is extended; and,

FIG. 11 is a perspective view thereof showing a state in which the leg part is extended and the display portion is rotated.

**1 Claim, 10 Drawing Sheets**



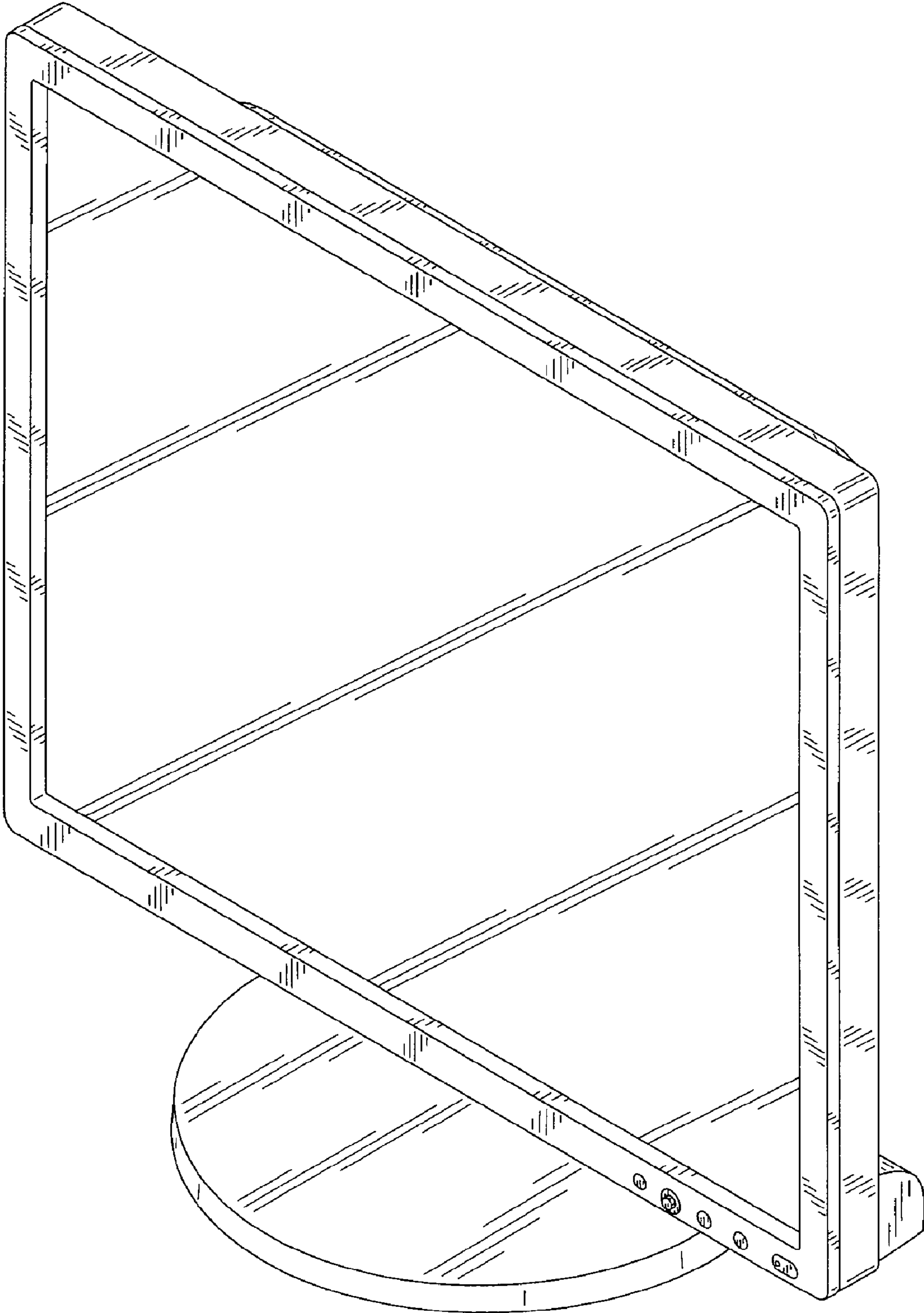


FIG. 1

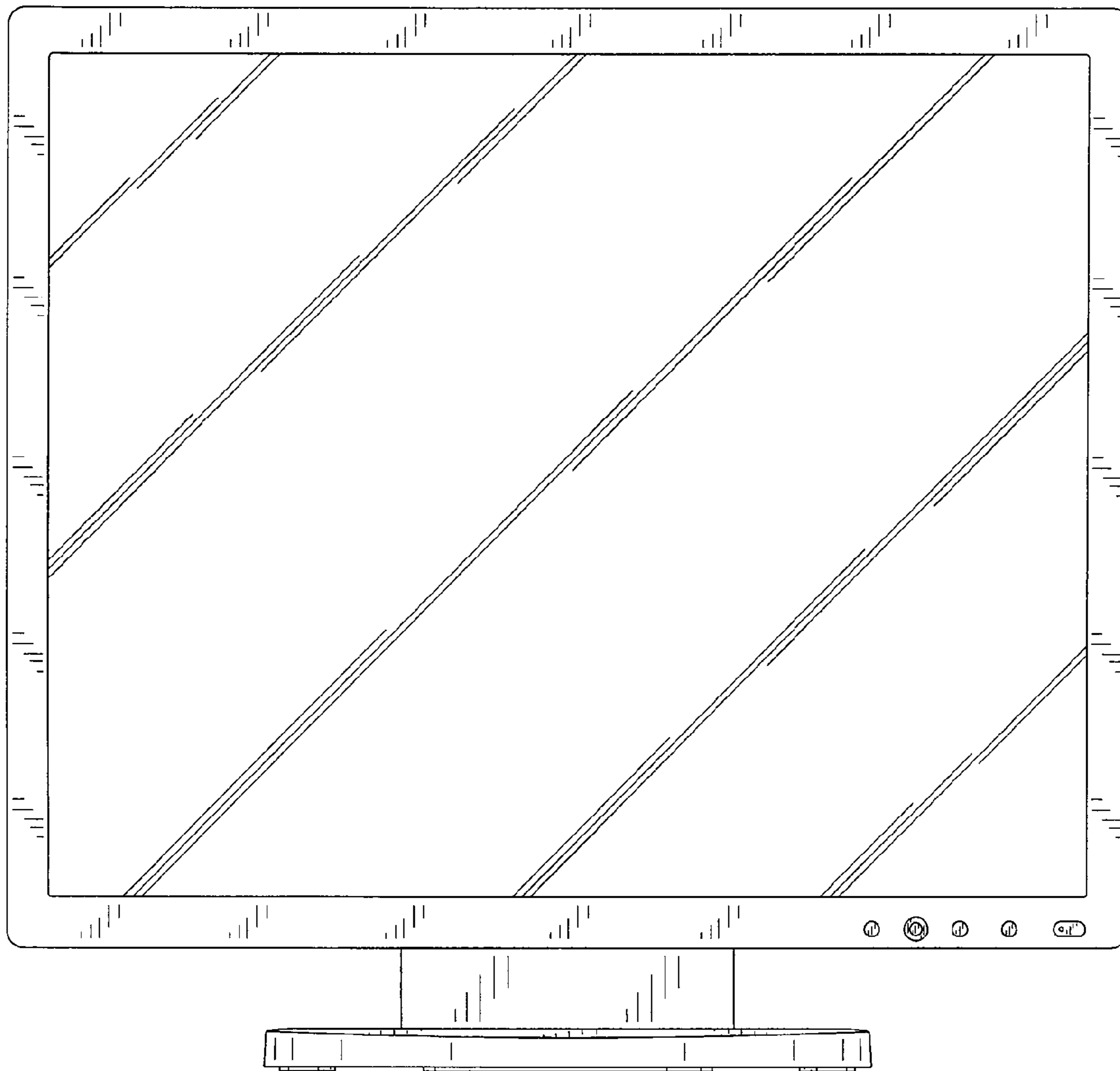


FIG. 2

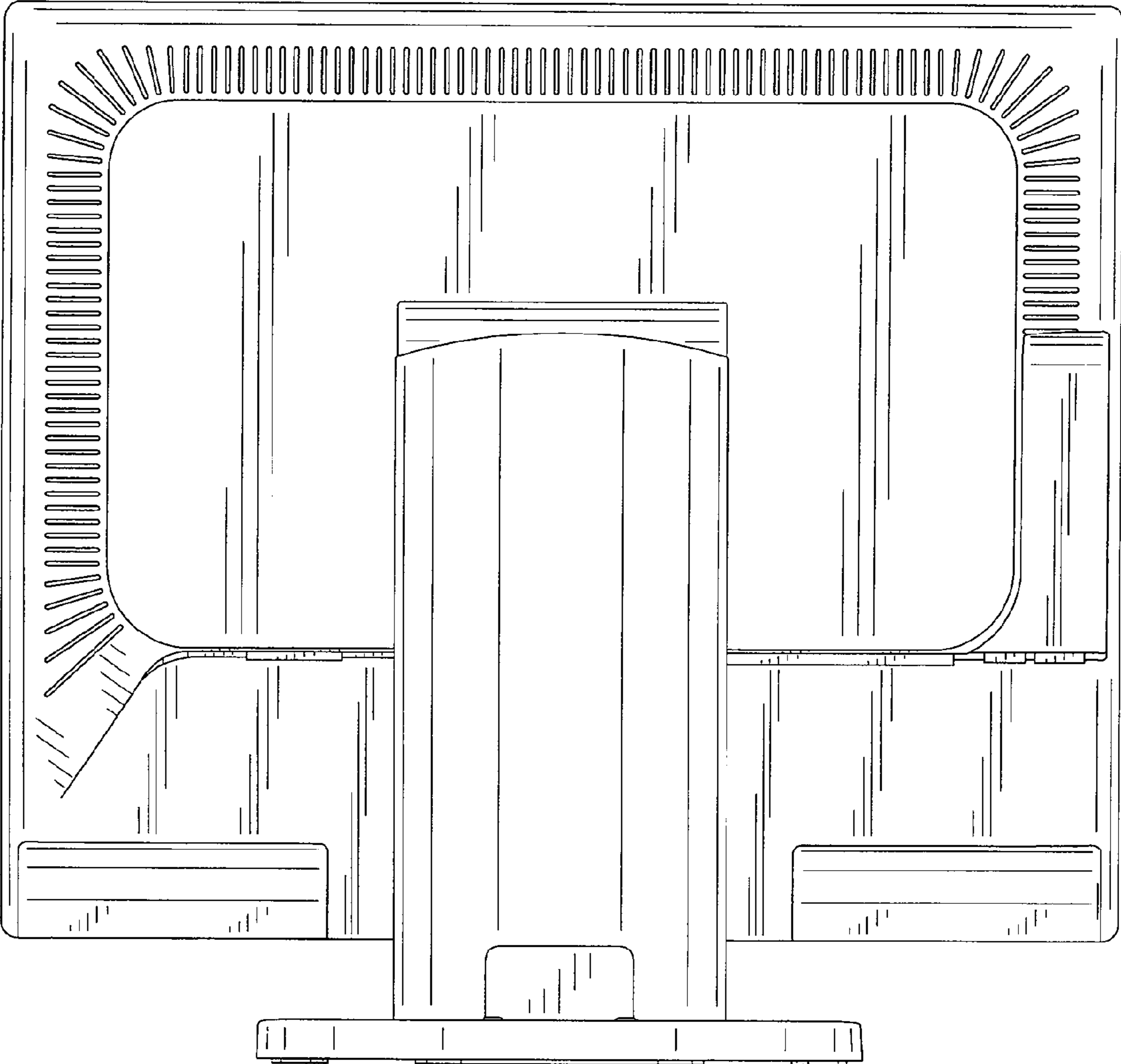


FIG. 3

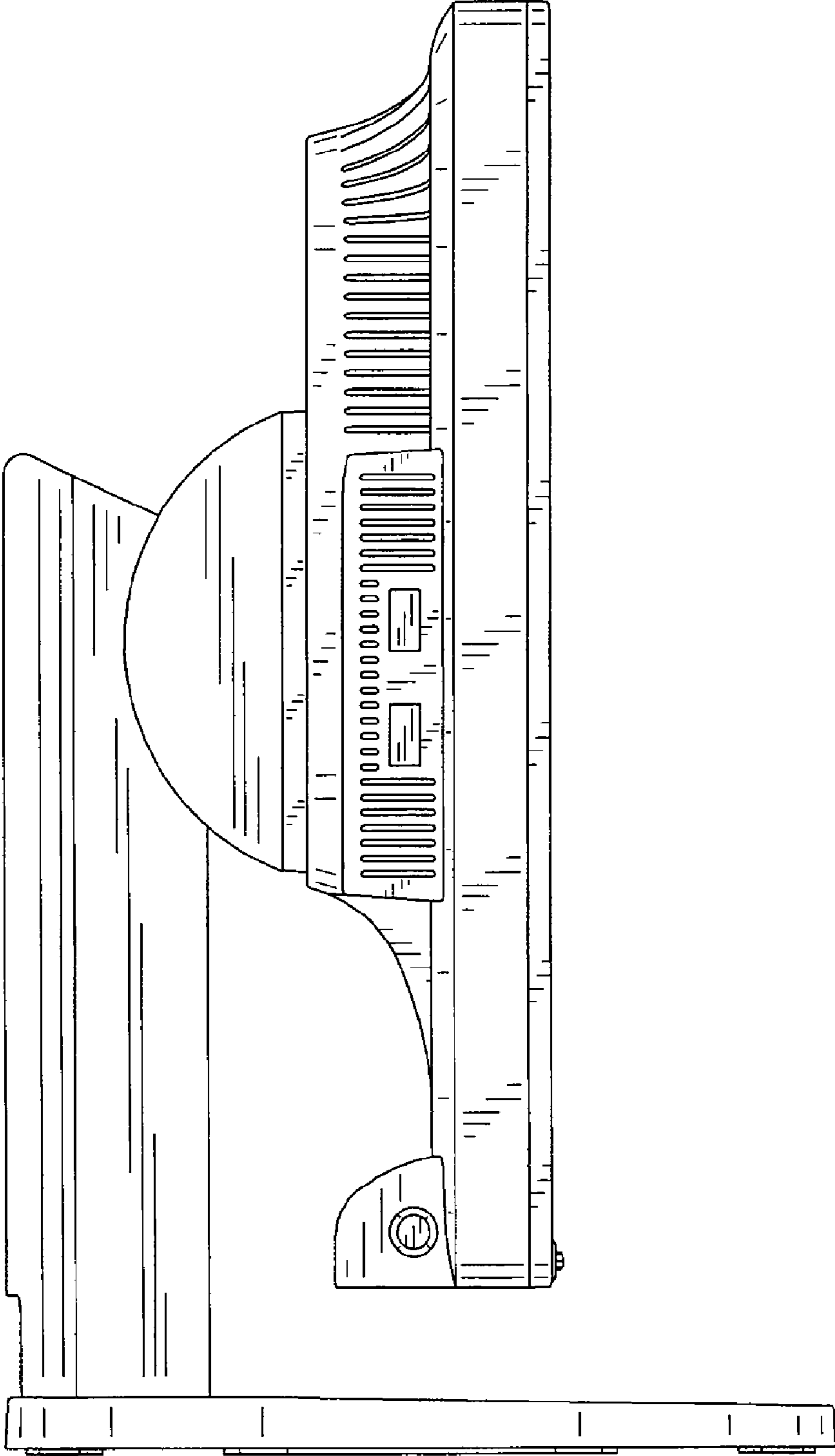


FIG. 4

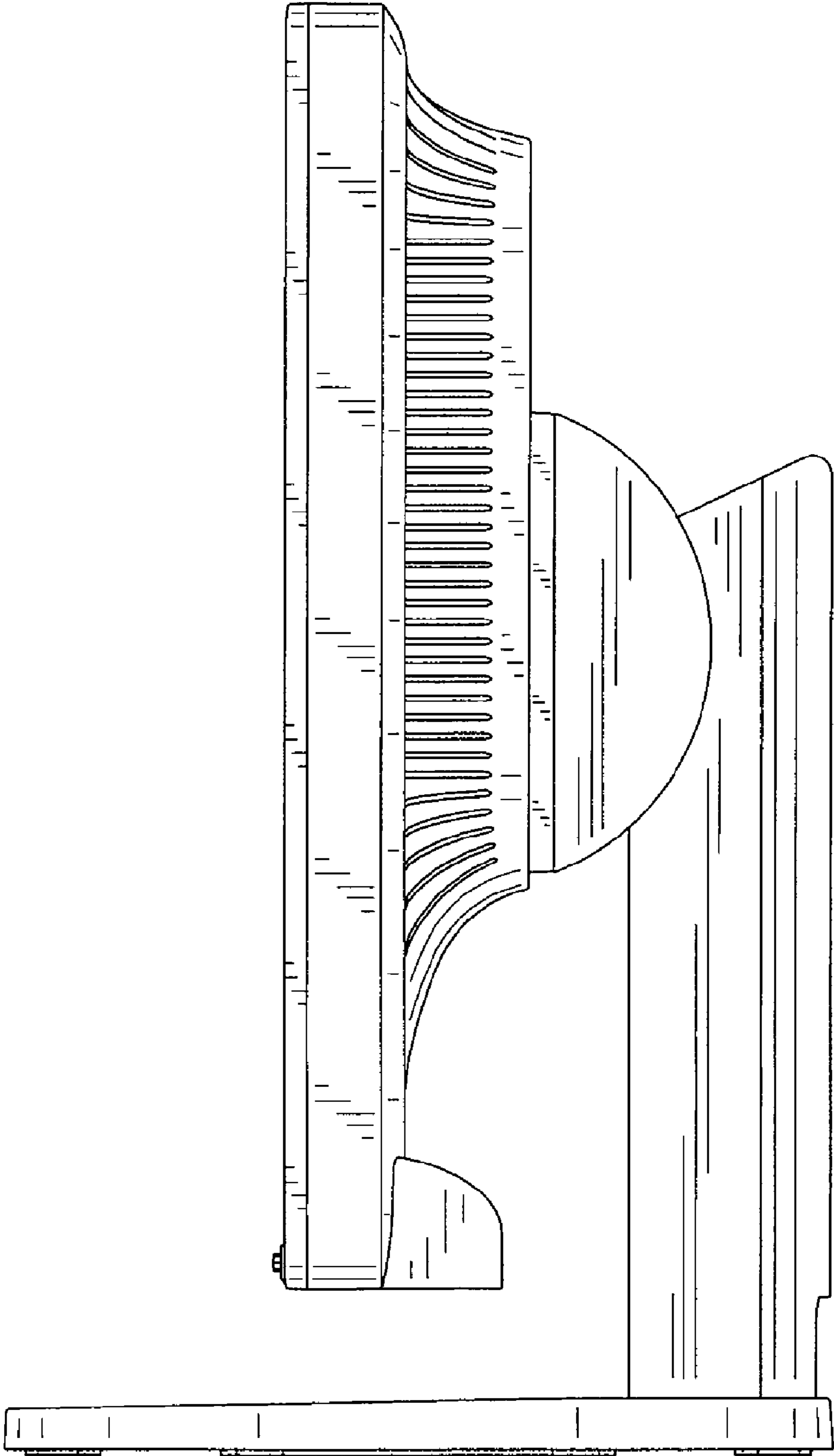
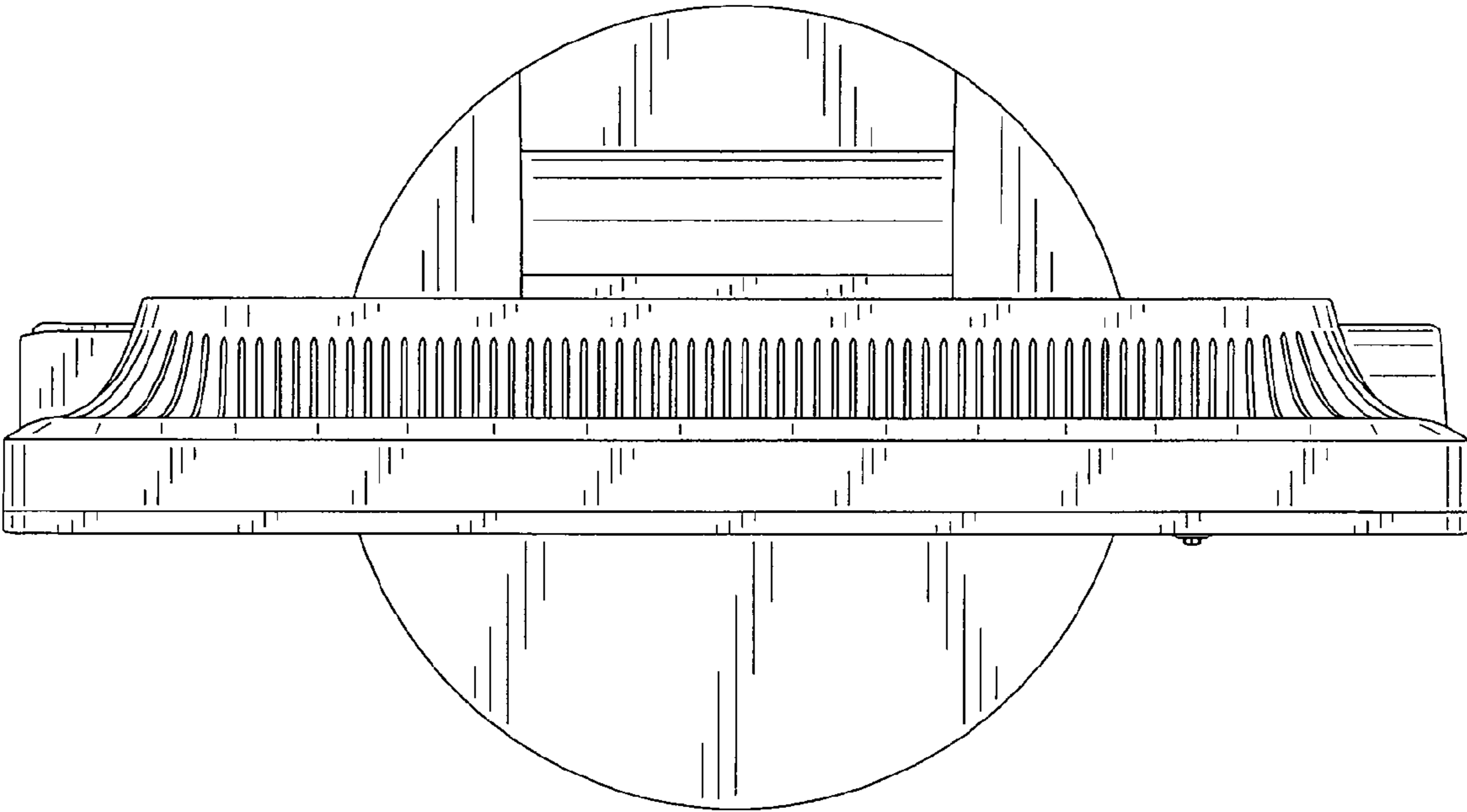
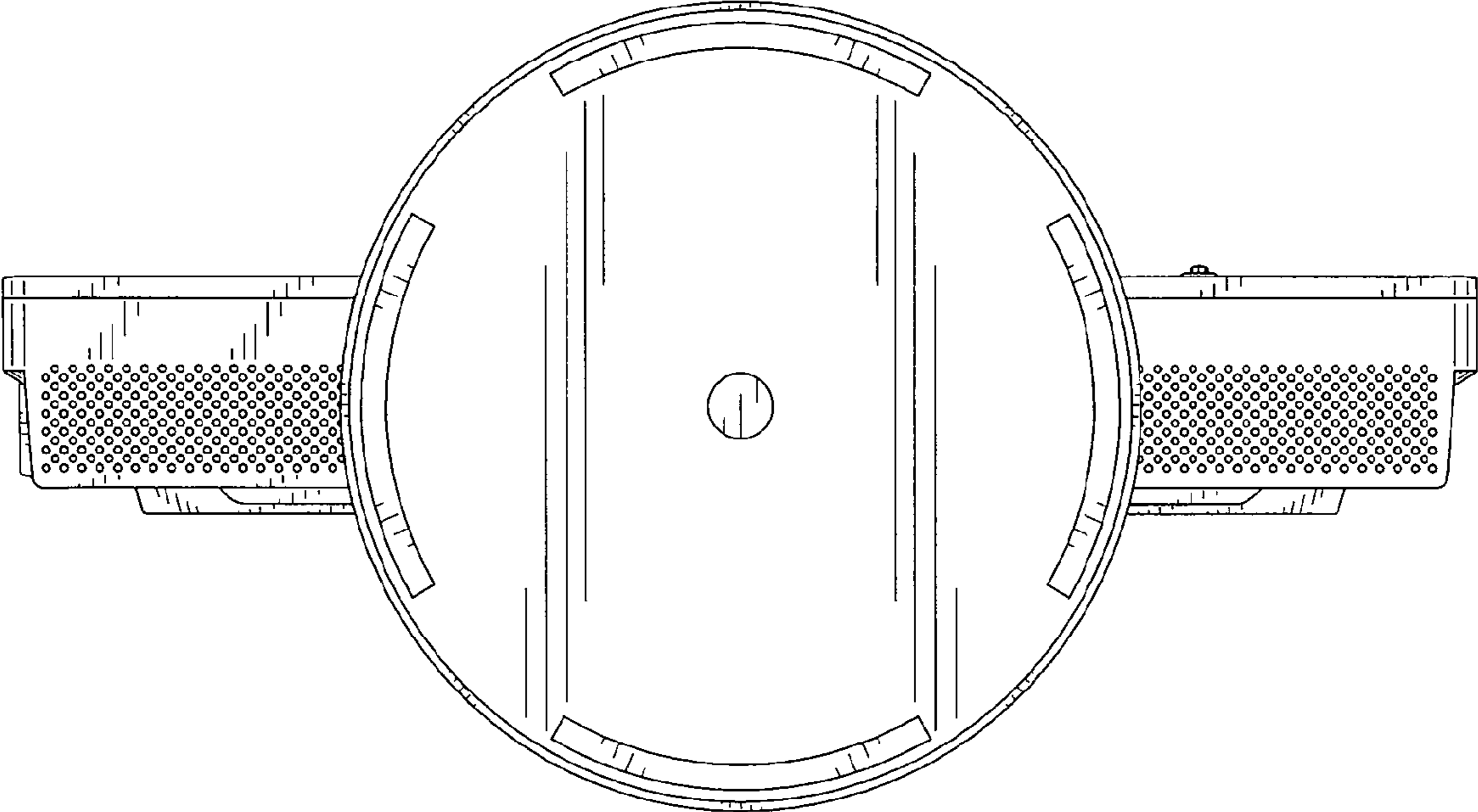


FIG. 5



**FIG. 6**



**FIG. 7**

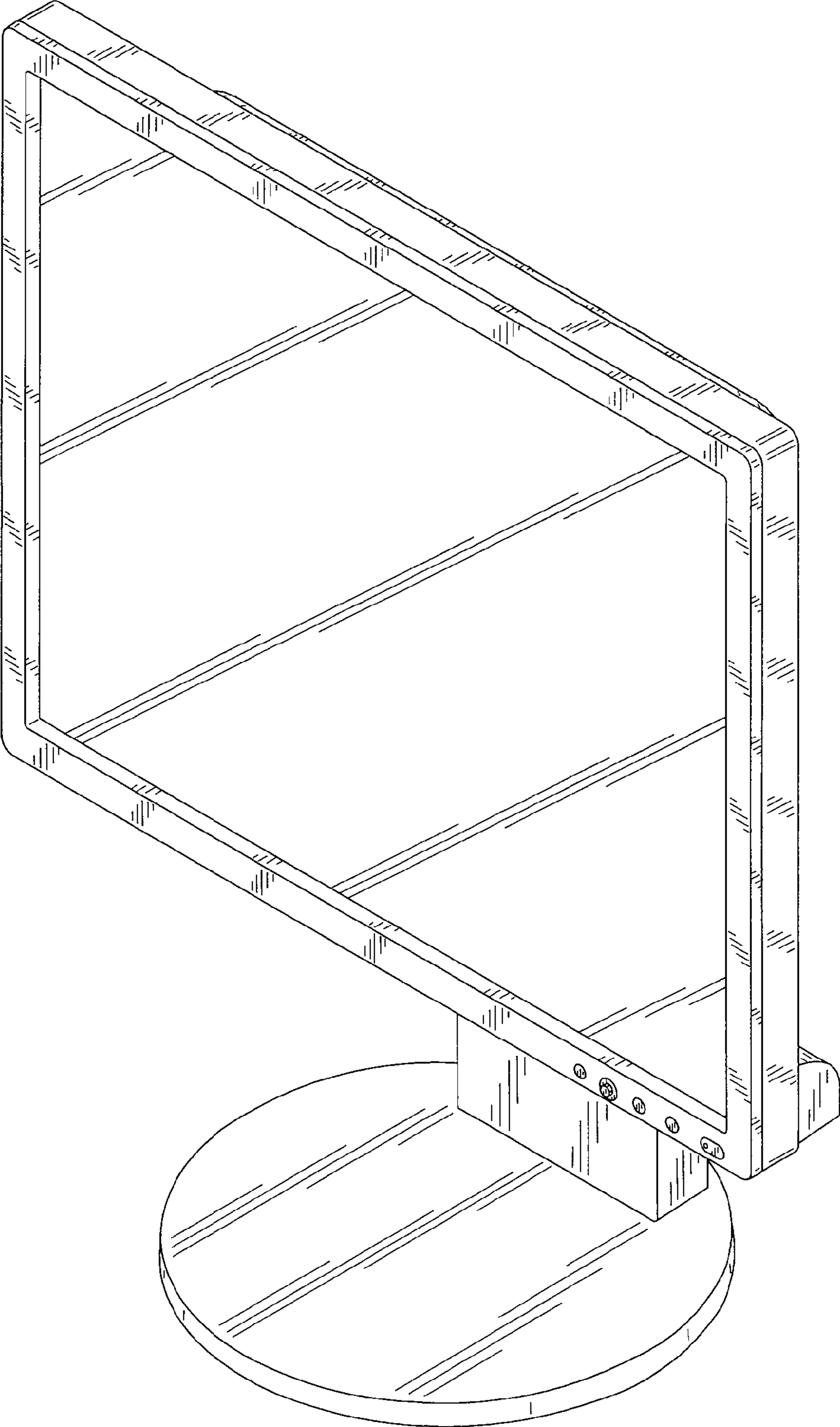


FIG. 8



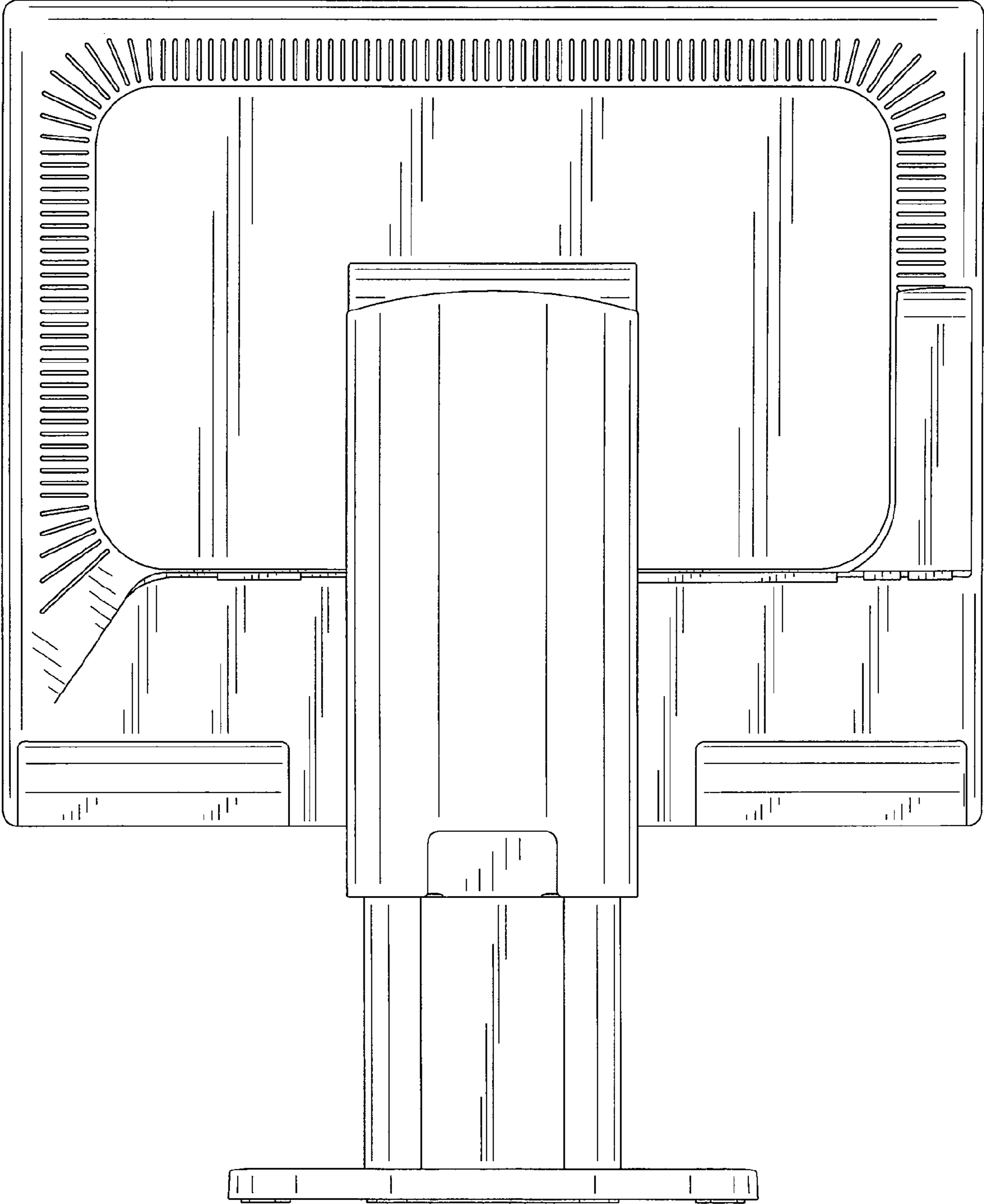


FIG. 9

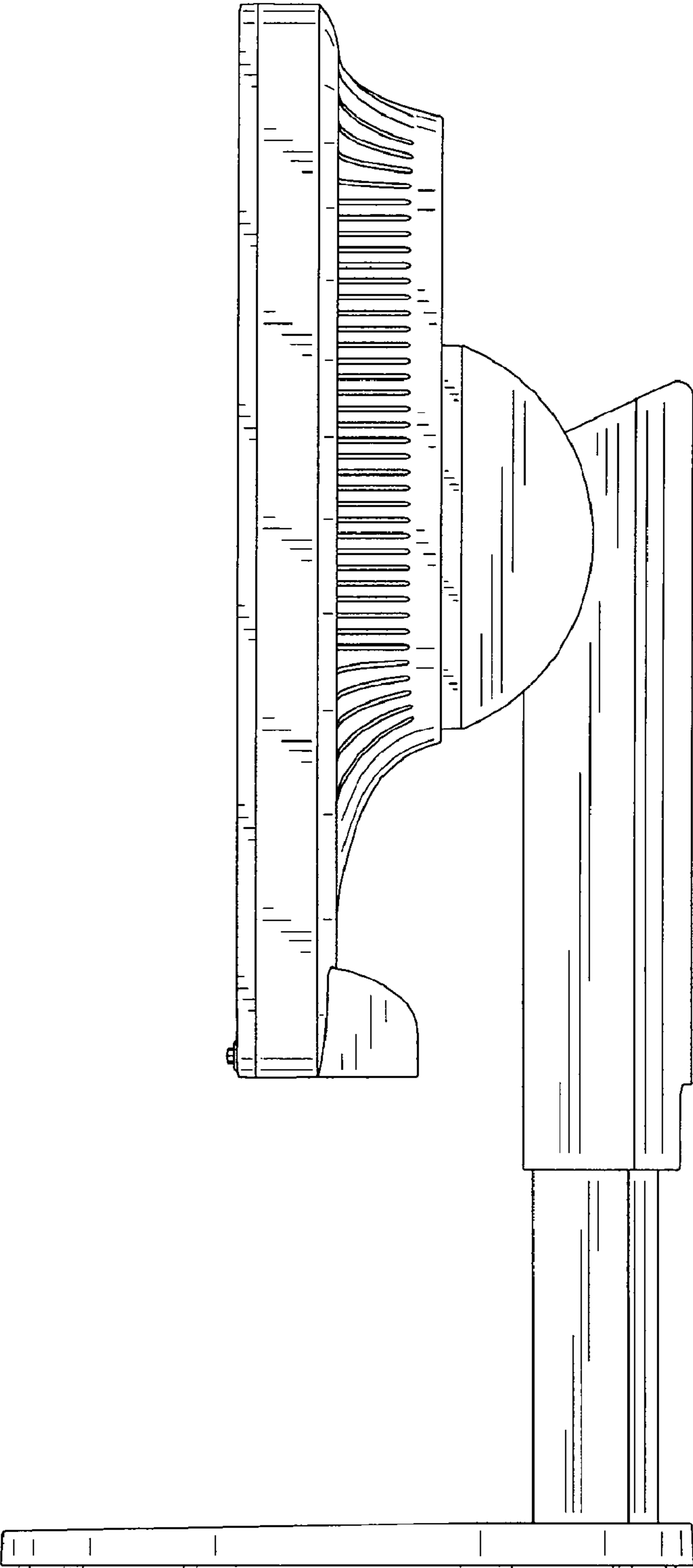


FIG. 10

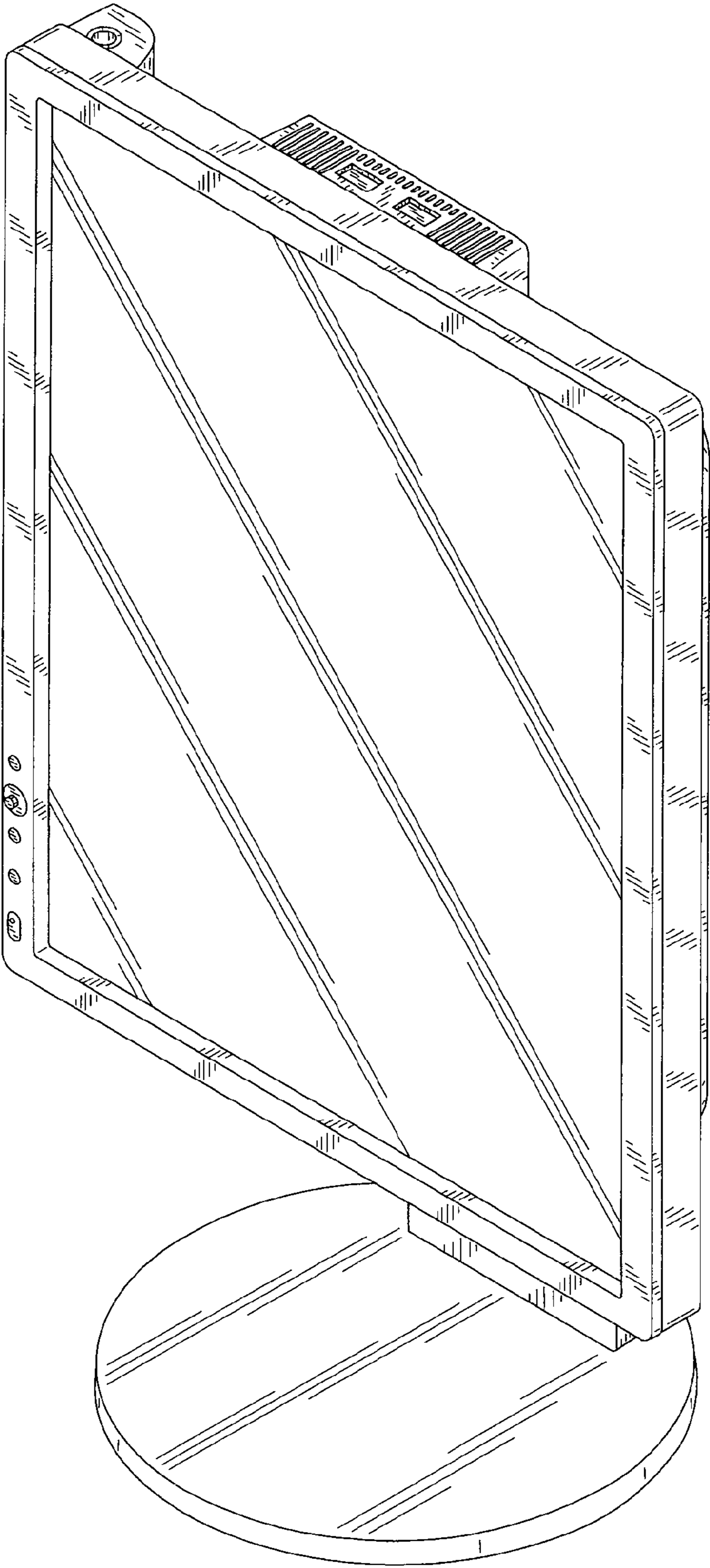


FIG. 11