



US00D603809S

(12) **United States Design Patent**
Mathew et al.

(10) **Patent No.:** **US D603,809 S**

(45) **Date of Patent:** **** Nov. 10, 2009**

(54) **TOGGLE WHEEL DIMMER SWITCH**

(75) Inventors: **Renjith Mathew**, New Hyde Park, NY (US); **Walter Ancipuk**, Staten Island, NY (US); **Yun (Sandy) Wu**, Bayside, NY (US); **Alfred J. Lombardi**, Syosset, NY (US)

(73) Assignee: **Leviton Manufacturing Co., Inc.**, Little Neck, NY (US)

(**) Term: **14 Years**

(21) Appl. No.: **29/327,356**

(22) Filed: **Nov. 4, 2008**

(51) **LOC (9) Cl.** **13-03**

(52) **U.S. Cl.** **D13/169**

(58) **Field of Classification Search** D13/169;
174/66; 200/5 R, 1 B, 433, 525, 553, 315,
200/329, 335, 332, 339; 338/176; 315/291-296
See application file for complete search history.

(56) **References Cited**

U.S. PATENT DOCUMENTS

D268,564 S *	4/1983	Mack	D8/353
5,262,678 A	11/1993	Flowers et al.		
D342,234 S *	12/1993	Graybill et al.	D13/169
5,359,231 A	10/1994	Flowers et al.		
5,637,930 A	6/1997	Rowen et al.		
5,660,459 A *	8/1997	Appelberg	362/84
5,670,776 A *	9/1997	Rothbaum	250/214 AL
5,753,983 A *	5/1998	Dickie et al.	307/141.4

6,774,328 B2 *	8/2004	Adams et al.	200/329
D523,402 S	6/2006	Lombardi et al.		
D566,052 S *	4/2008	Ochs et al.	D13/170
2006/0086525 A1 *	4/2006	Xu et al.	174/66

* cited by examiner

Primary Examiner—Selina Sikder

(74) *Attorney, Agent, or Firm*—Carter, DeLuca, Farrell & Schmidt, LLP

(57) **CLAIM**

The ornamental design for a toggle wheel dimmer switch, as shown and described.

DESCRIPTION

FIG. 1 is a front left perspective view illustrating our new design for a toggle wheel dimmer switch with the broken lines showing, for illustrative purposes only, a back plate and mounting screws that are not part of the claimed design;

FIG. 2 is a top view thereof with the broken lines showing the back plate, the housing and a top mounting screw;

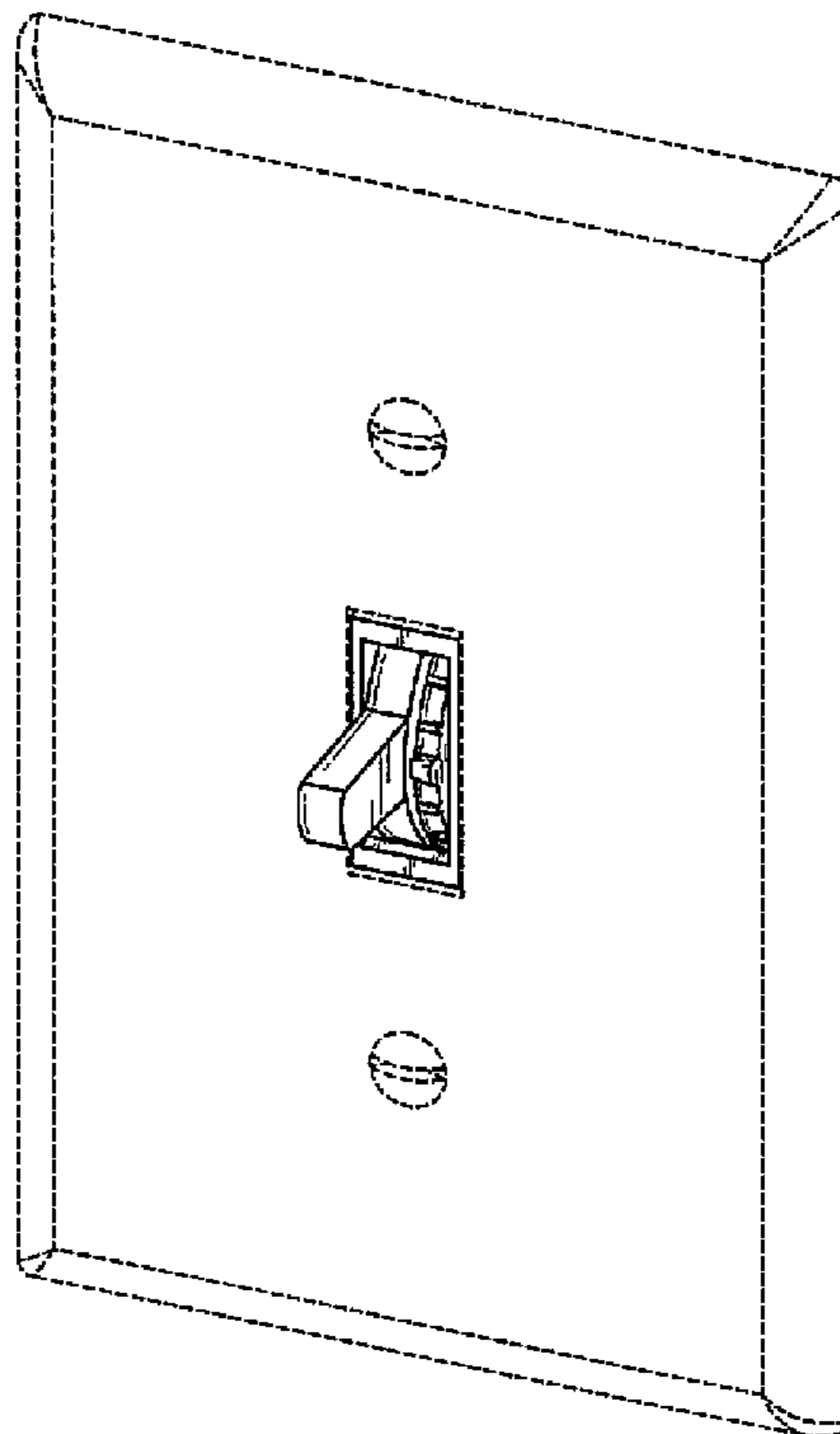
FIG. 3 is a bottom view thereof with the broken lines showing the back plate, the housing and a bottom mounting screw.

FIG. 4 is a front view thereof with the dashed lines showing the back plate and mounting screws;

FIG. 5 is a left side view thereof with the broken lines showing the back plate, the housing and mounting screws; and,

FIG. 6 is a right side view thereof with the broken lines showing the back plate, the housing and mounting screws.

1 Claim, 3 Drawing Sheets



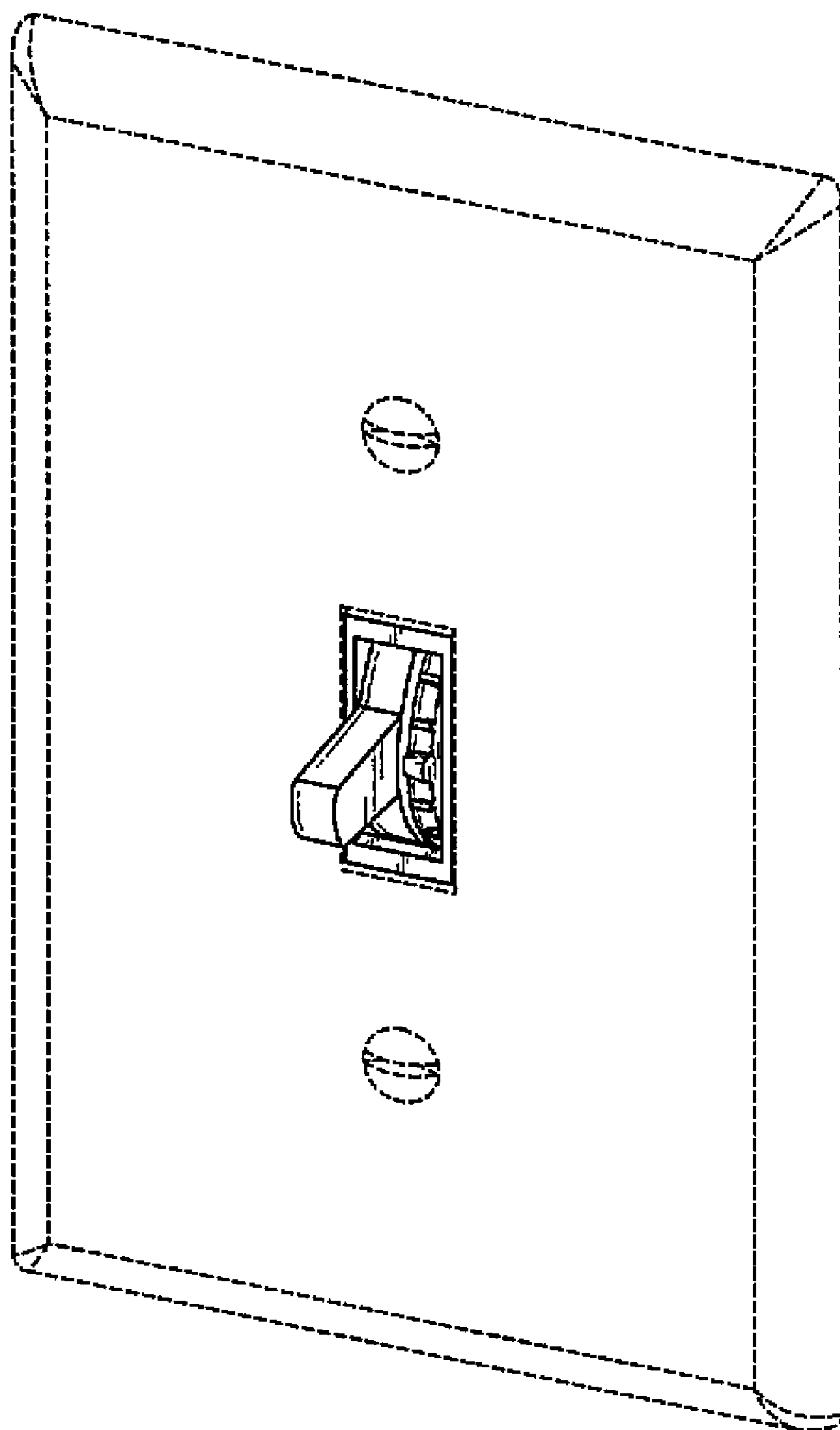


FIG. 1

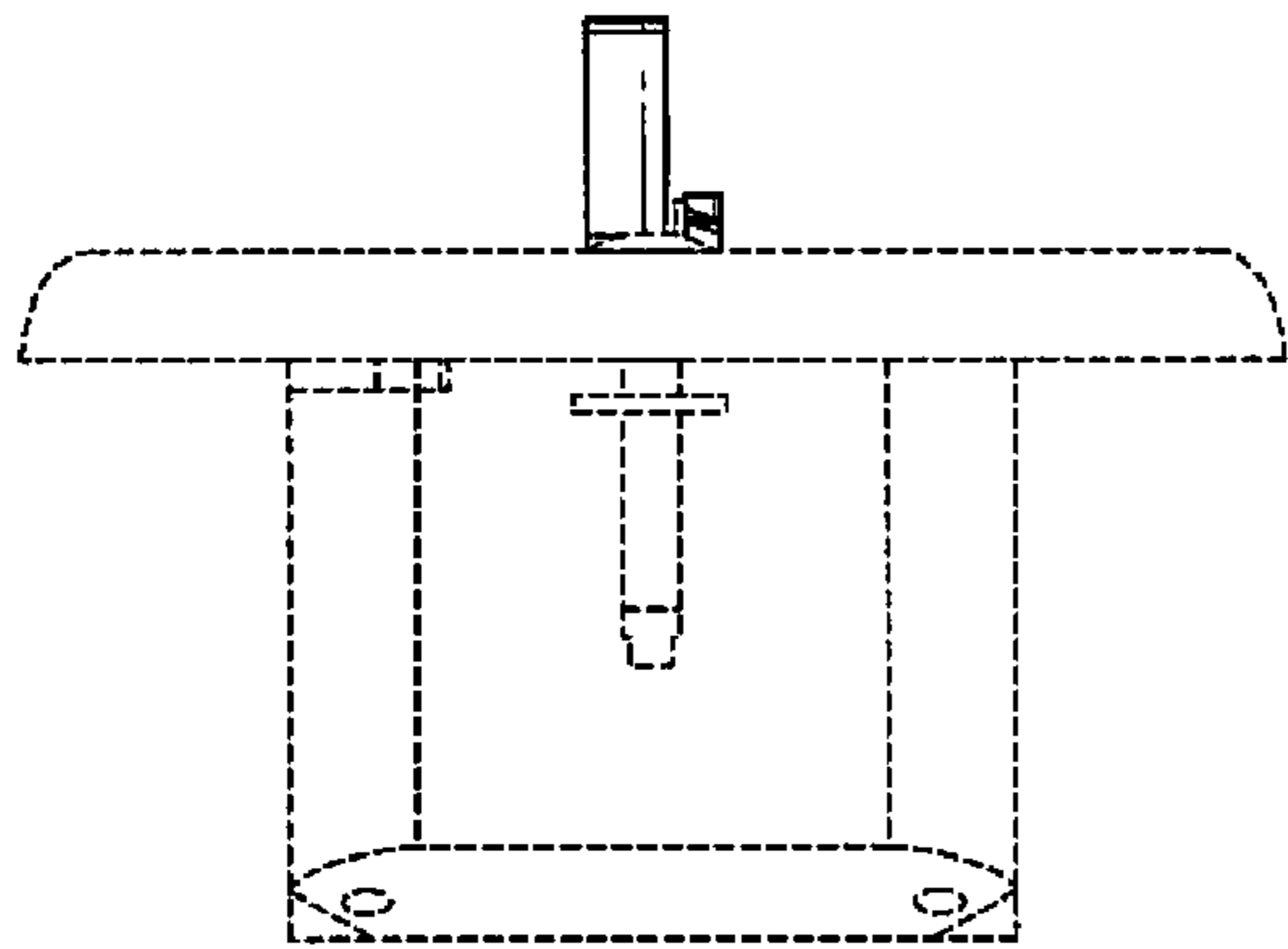


FIG. 2

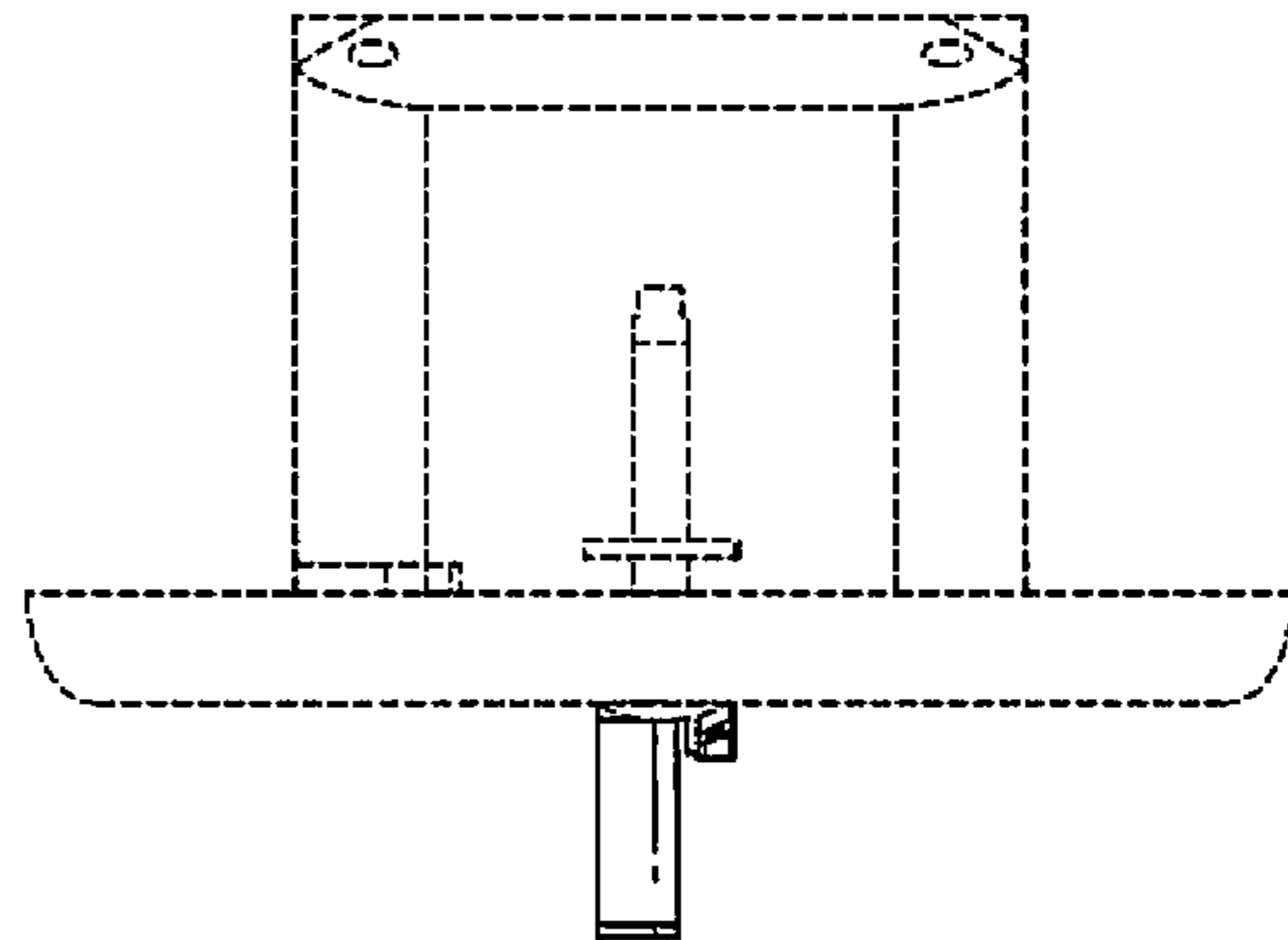


FIG. 3

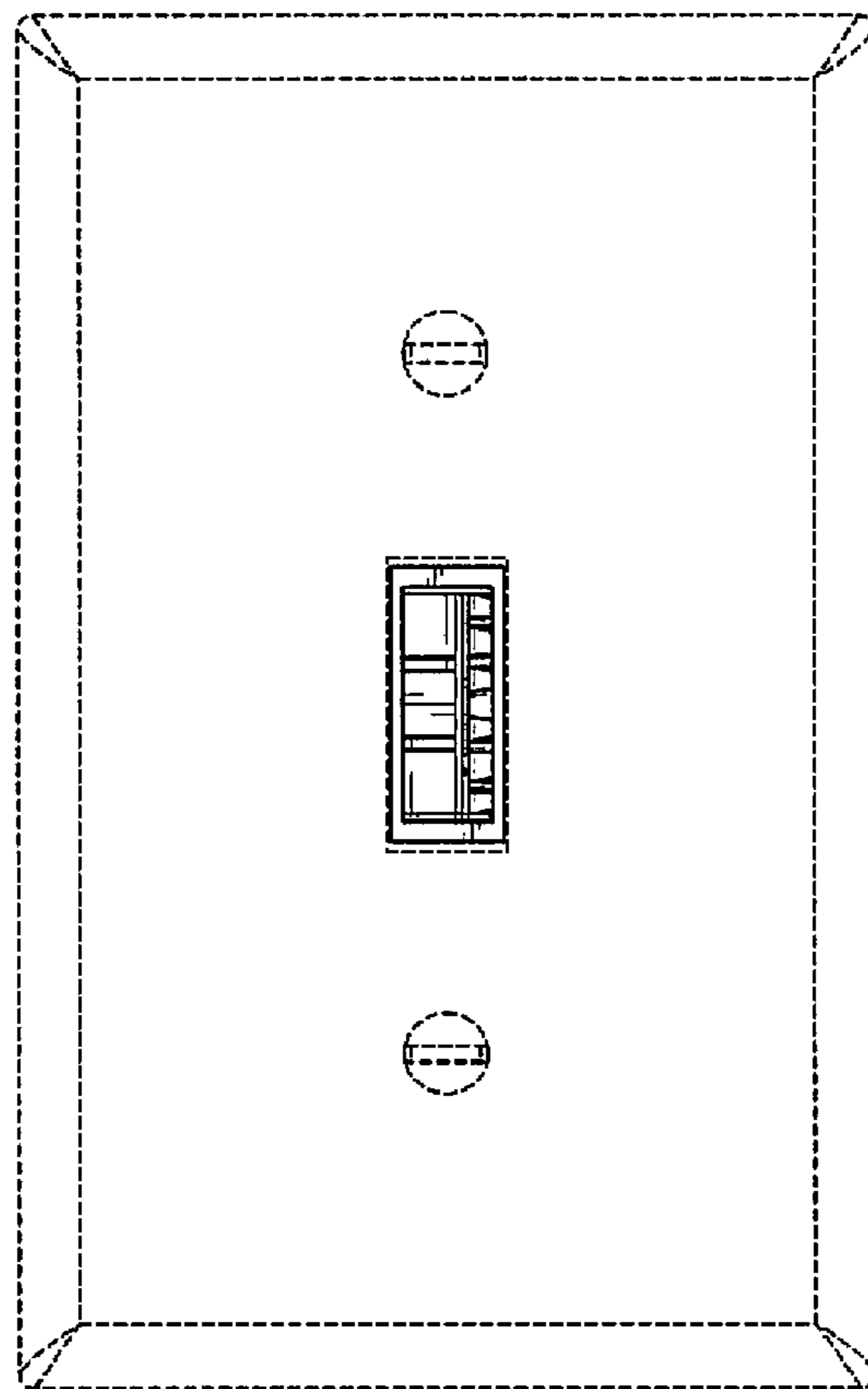


FIG. 4

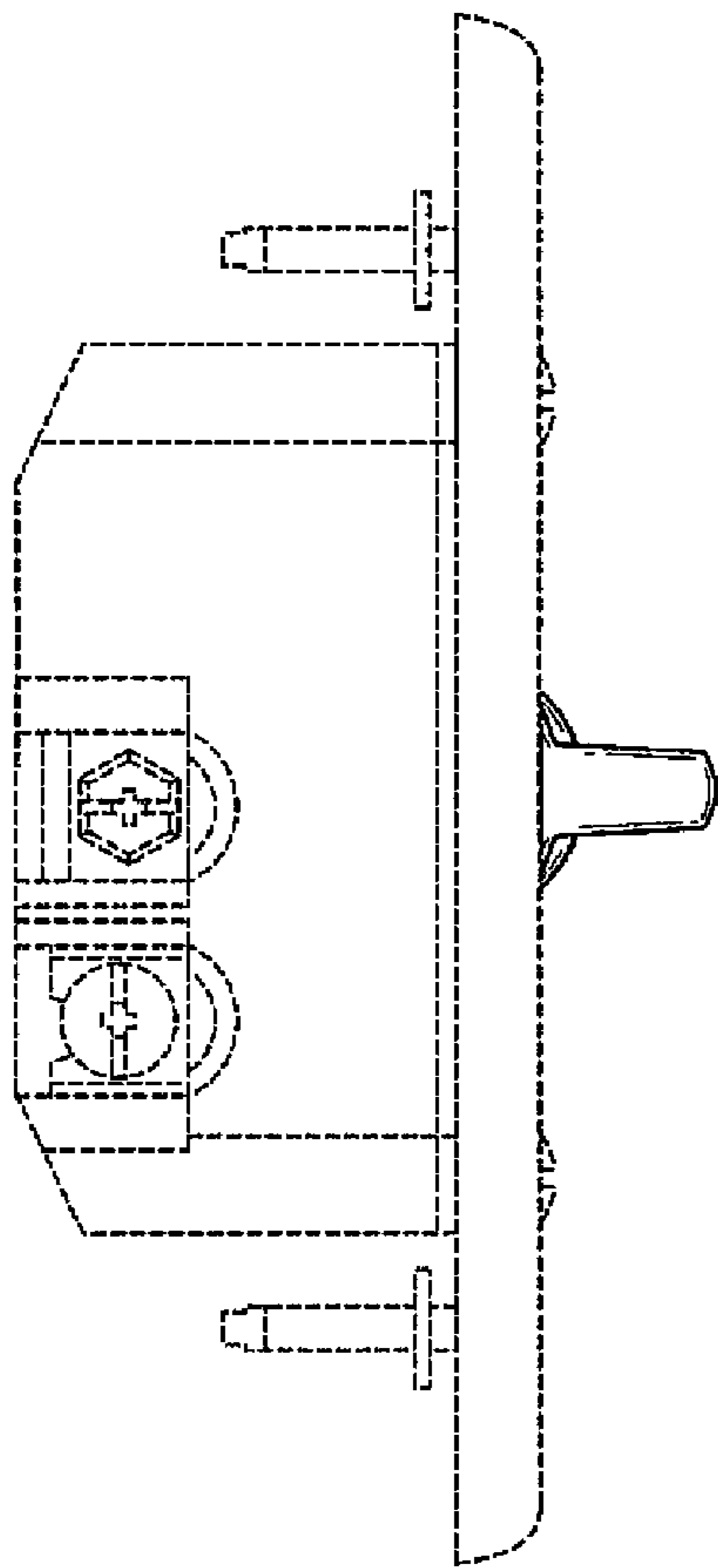


FIG. 5

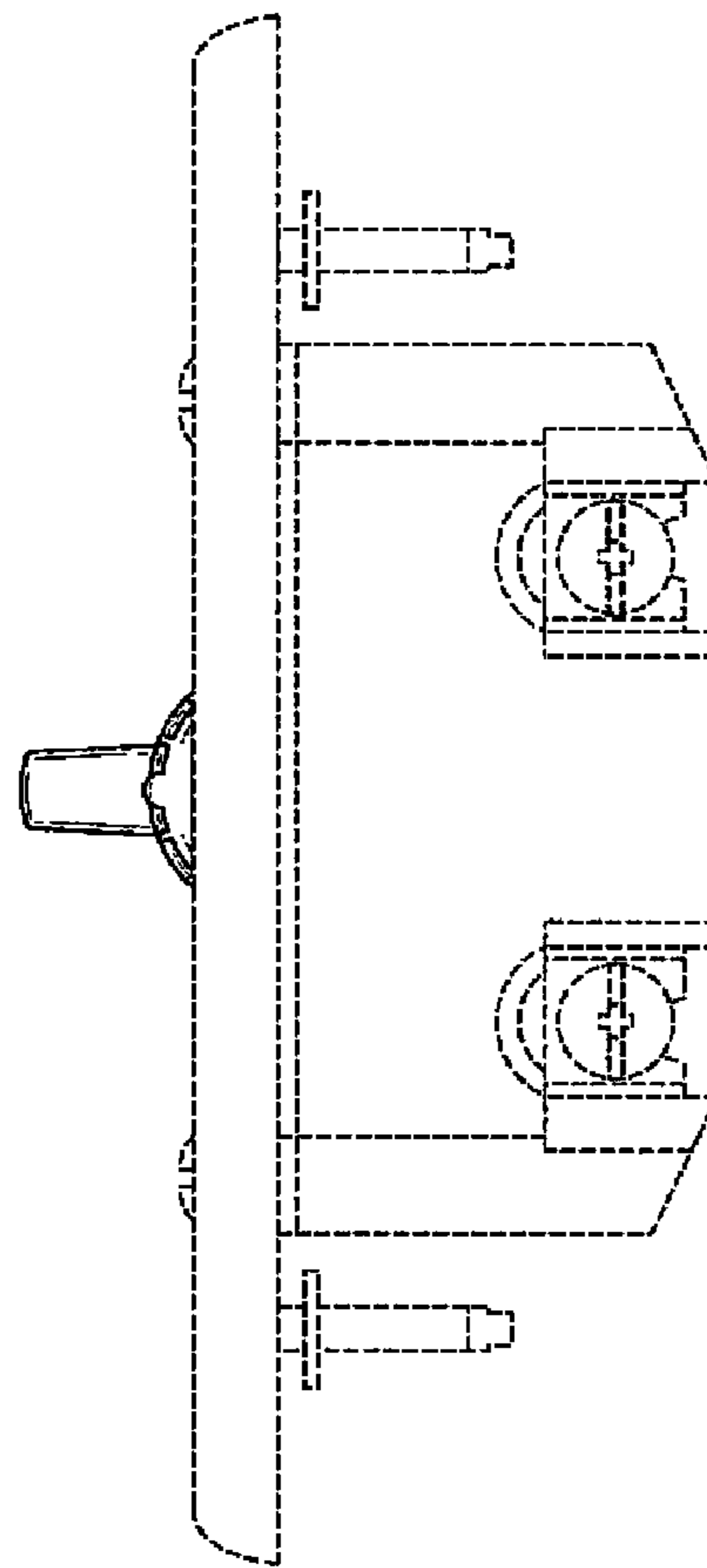


FIG. 6