



US00D603806S

(12) **United States Design Patent**  
**Yamashita et al.**

(10) **Patent No.:** **US D603,806 S**

(45) **Date of Patent:** **\*\* Nov. 10, 2009**

(54) **ELECTRICAL CONNECTION TERMINAL**

(75) Inventors: **Masaki Yamashita**, Tokyo (JP);  
**Kazuhito Hisamatsu**, Tokyo (JP);  
**Yosuke Honda**, Tokyo (JP)

(73) Assignee: **Japan Aviation Electronics Industry Limited**, Tokyo (JP)

(\*\*) Term: **14 Years**

(21) Appl. No.: **29/336,146**

(22) Filed: **Apr. 29, 2009**

(30) **Foreign Application Priority Data**

Nov. 5, 2008 (JP) ..... 2008-028353

(51) **LOC (9) Cl.** ..... **13-03**

(52) **U.S. Cl.** ..... **D13/154**

(58) **Field of Classification Search** ..... D13/133,  
D13/146, 147, 154, 184; 439/746, 749, 834,  
439/845, 849-850, 862, 884-885, 887  
See application file for complete search history.

(56) **References Cited**

**U.S. PATENT DOCUMENTS**

6,174,208 B1 \* 1/2001 Chen ..... 439/852  
D464,323 S \* 10/2002 Harasawa et al. .... D13/154

D481,996 S \* 11/2003 Kihira et al. .... D13/133  
D494,545 S \* 8/2004 Kuroda et al. .... D13/154  
D556,136 S \* 11/2007 Shiga et al. .... D13/133  
D592,150 S \* 5/2009 Ogata et al. .... D13/154

\* cited by examiner

*Primary Examiner*—Daniel D Bui

(74) *Attorney, Agent, or Firm*—Frishauf, Holtz, Goodman & Chick, P.C.

(57) **CLAIM**

The ornamental design for an electrical connection terminal, as shown.

**DESCRIPTION**

FIG. 1 is a front, top and right side perspective view of an electrical connection terminal showing our new design;

FIG. 2 is a rear, bottom and right side perspective view thereof;

FIG. 3 is a front view thereof;

FIG. 4 is a rear view thereof;

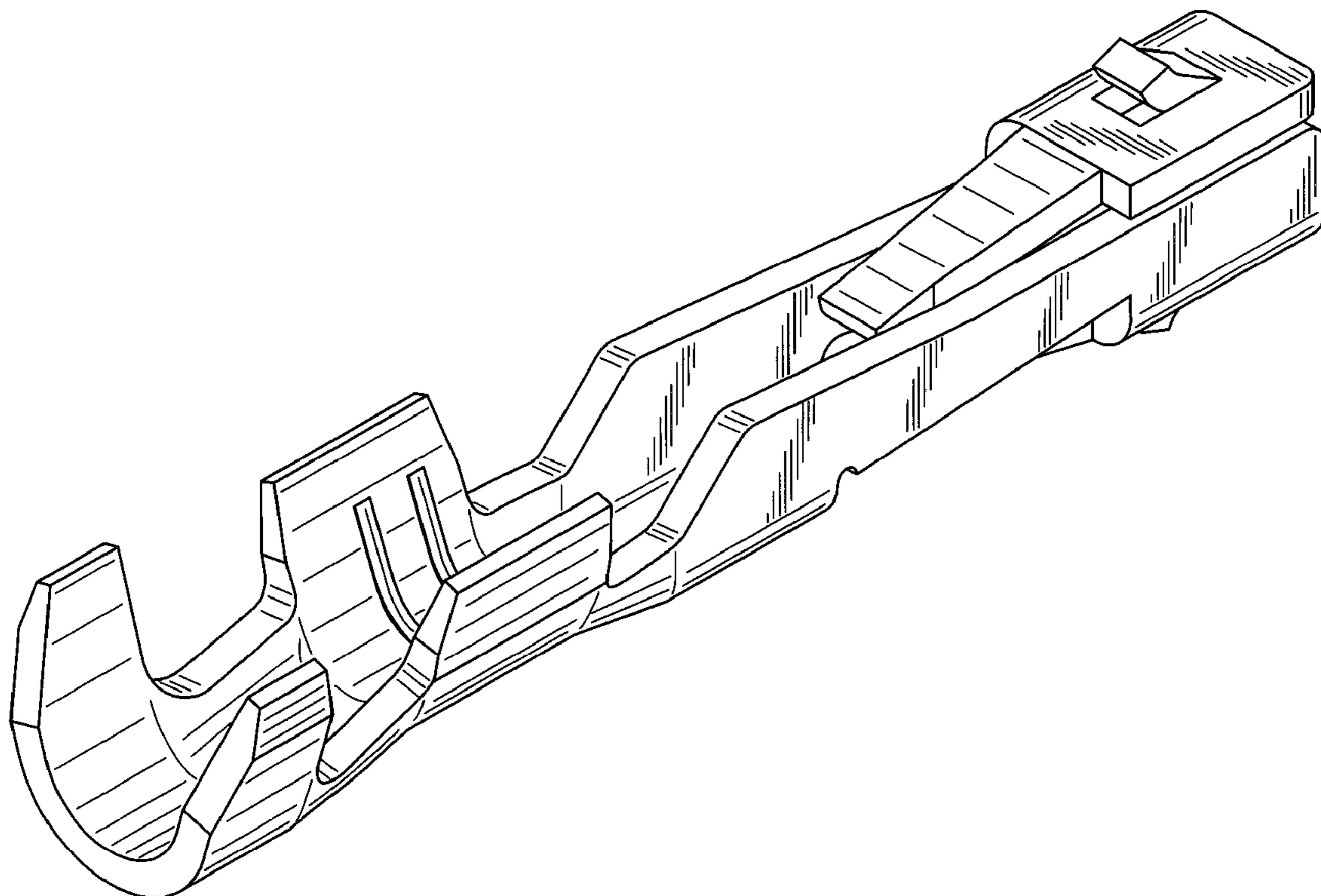
FIG. 5 is a right side view thereof;

FIG. 6 is a left side view thereof;

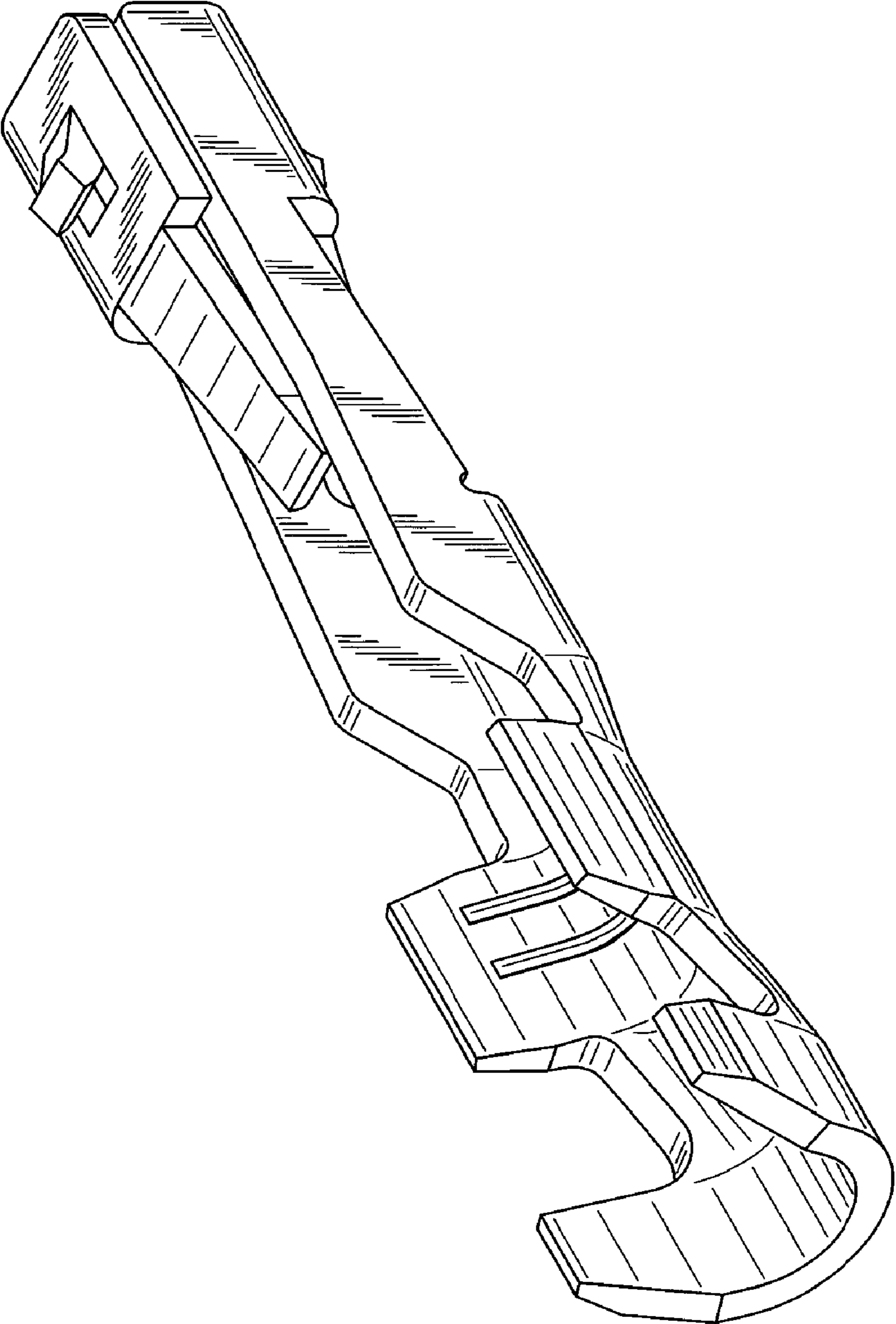
FIG. 7 is a bottom plan view thereof; and,

FIG. 8 is a top plan view thereof.

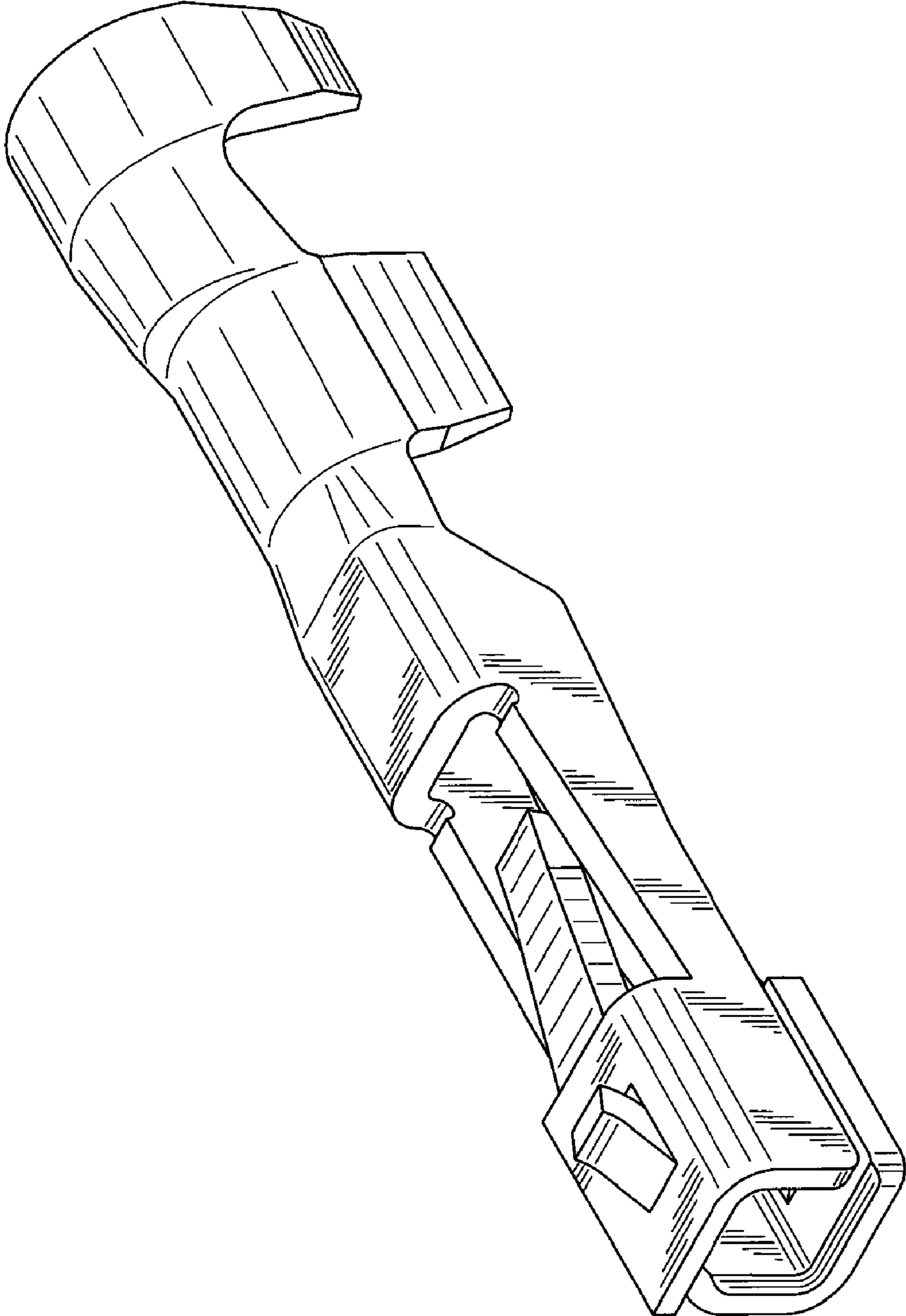
**1 Claim, 5 Drawing Sheets**



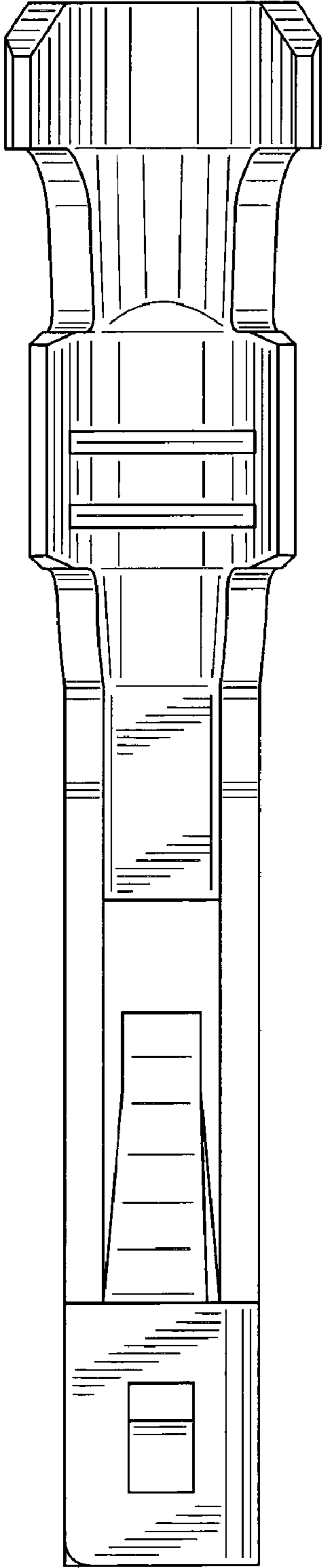
**FIG. 1**



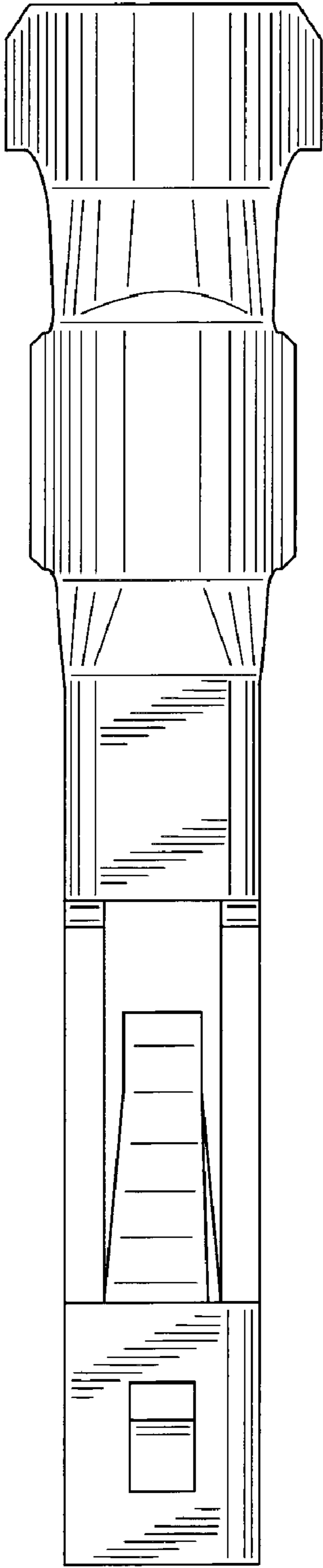
**FIG. 2**



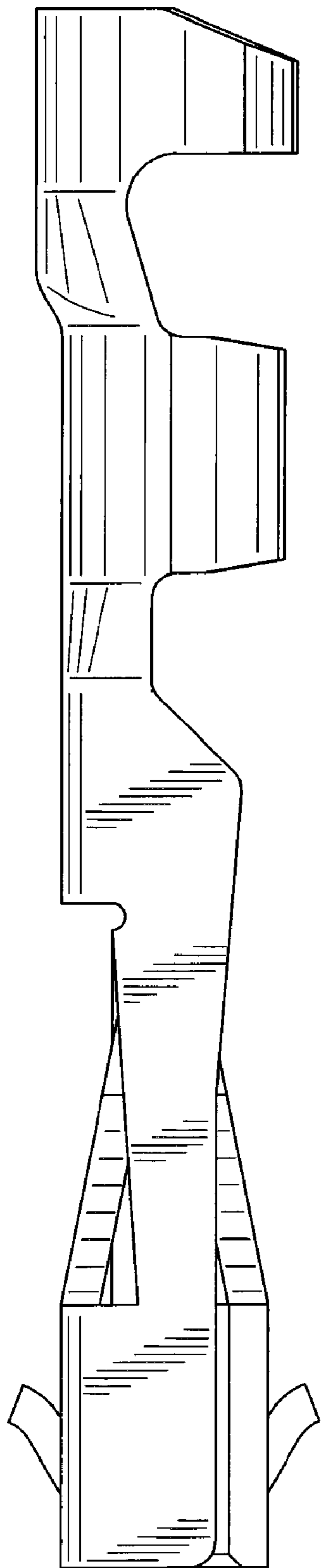
**FIG. 3**



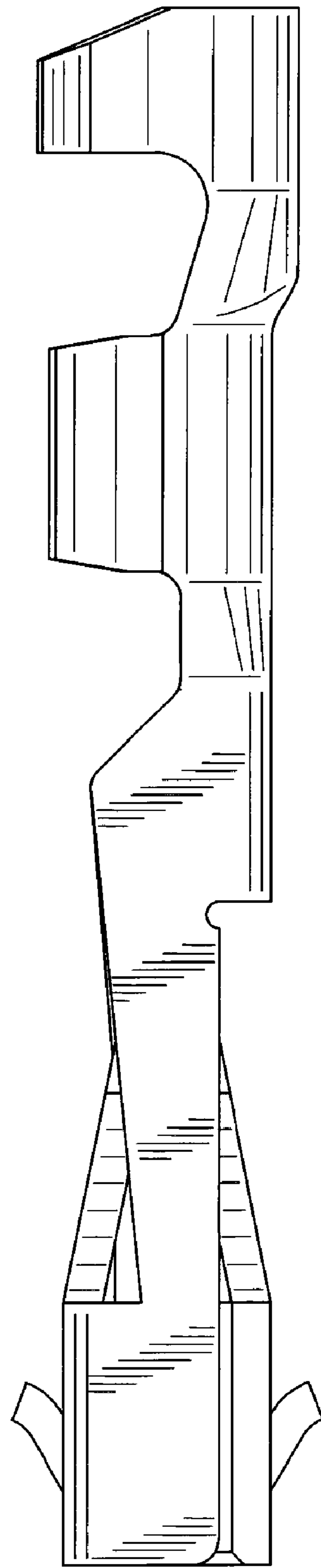
**FIG. 4**



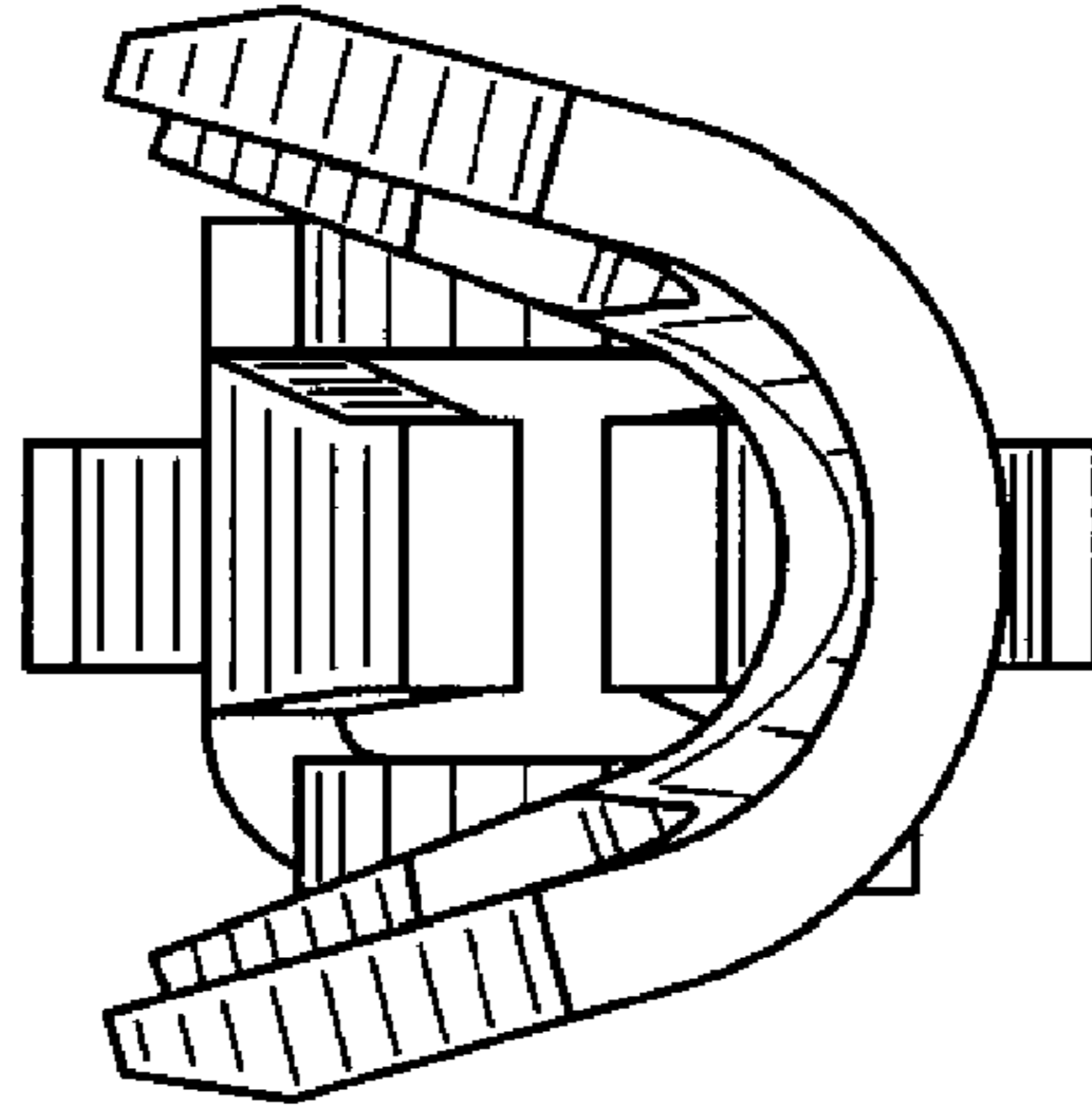
**FIG. 5**



**FIG. 6**



**FIG. 8**



**FIG. 7**

