



US00D603805S

(12) **United States Design Patent**  
**Levy**

(10) **Patent No.:** **US D603,805 S**  
(45) **Date of Patent:** **\*\* Nov. 10, 2009**

(54) **FIBER OPTICS CONNECTOR**

(75) Inventor: **Nathalie Levy**, Tel-Aviv (IL)

(73) Assignee: **RIT Technologies Ltd.**, Tel-Aviv (IL)

(\*\*) Term: **14 Years**

(21) Appl. No.: **29/320,908**

(22) Filed: **Jul. 8, 2008**

(51) **LOC (9) Cl.** ..... **13-01**

(52) **U.S. Cl.** ..... **D13/154**

(58) **Field of Classification Search** ..... D13/133,  
D13/146-147, 153-154, 184, 199; D14/496;  
D21/324, 333, 385; 439/352, 358, 502, 607-610,  
439/680

See application file for complete search history.

(56) **References Cited**

**U.S. PATENT DOCUMENTS**

D249,139 S \* 8/1978 Lin ..... D13/151  
D421,963 S \* 3/2000 Lin ..... D13/146  
D447,734 S \* 9/2001 Nakashima et al. .... D13/153

\* cited by examiner

*Primary Examiner*—Nanda Bondade

(74) *Attorney, Agent, or Firm*—Pearl Cohen Zedek Latzer,  
LLP

(57) **CLAIM**

The ornamental design for a fiber optics connector, as shown and described.

**DESCRIPTION**

FIG. 1 is a front and right perspective view of the fiber optics connector;

FIG. 2 is a front and left perspective view of the fiber optics connector shown in FIG. 1;

FIG. 3 is a front view of the fiber optics connector shown in FIG. 1;

FIG. 4 is a right side view of the fiber optics connector shown in FIG. 1;

FIG. 5 is a left side view of the fiber optics connector shown in FIG. 1;

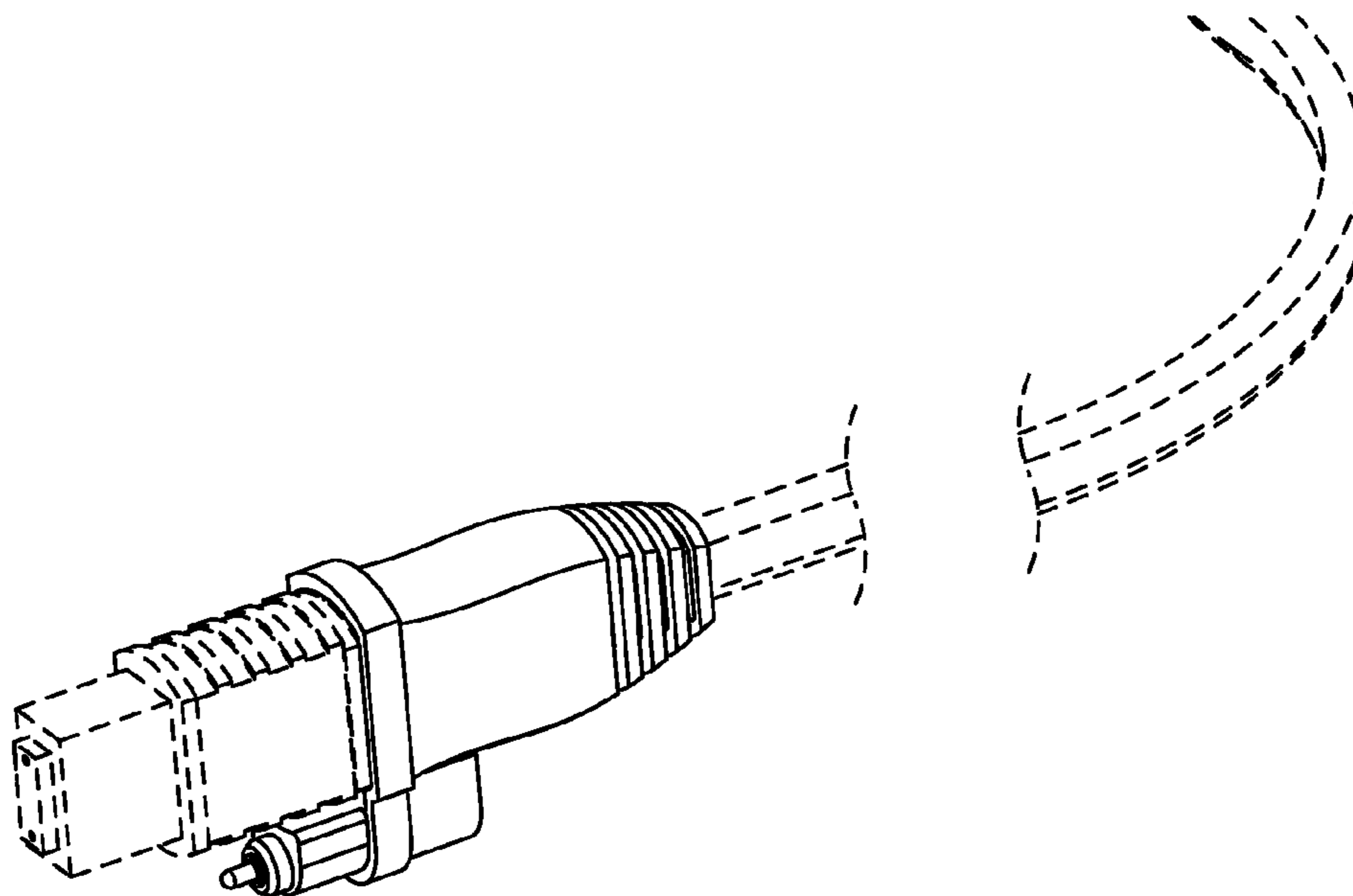
FIG. 6 is a rear view of the fiber optics connector shown in FIG. 1;

FIG. 7 is a top view of the fiber optics connector shown in FIG. 1; and,

FIG. 8 is a bottom view of the fiber optics connector shown in FIG. 1.

The broken line showing on the drawing disclosure is for illustrative purposes only and forms no part of the claimed design.

**1 Claim, 8 Drawing Sheets**



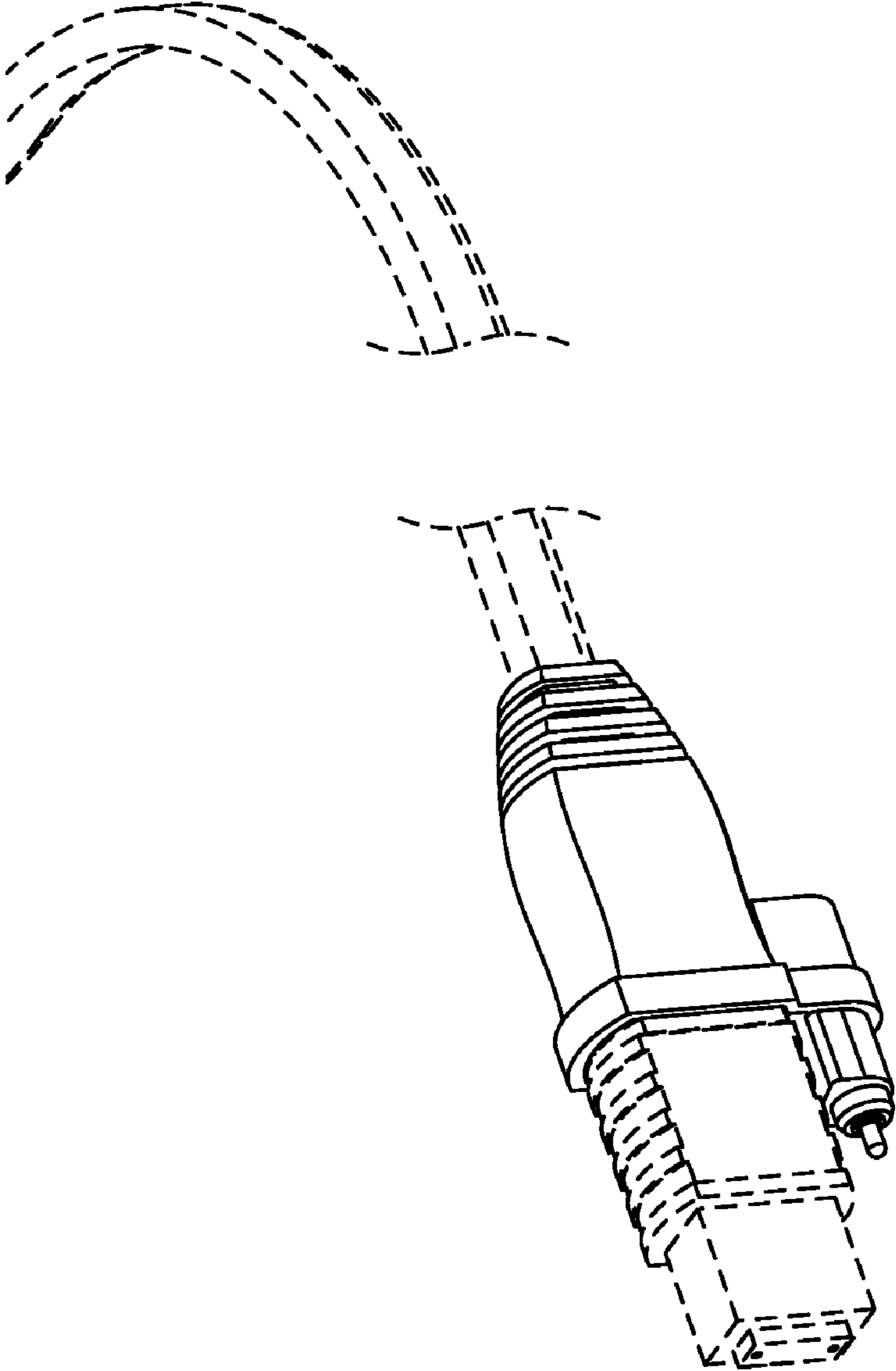


FIG.1

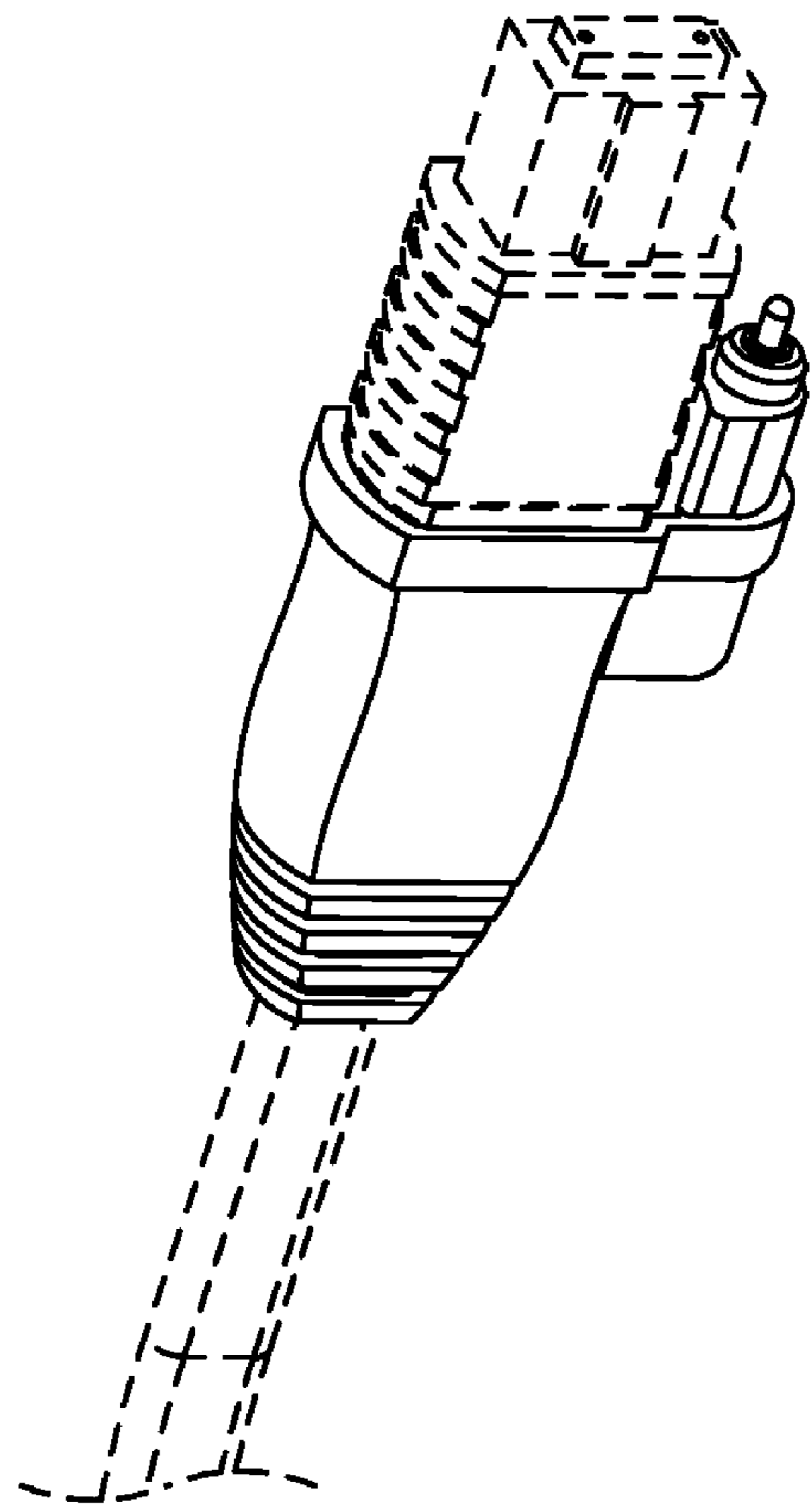


FIG. 2

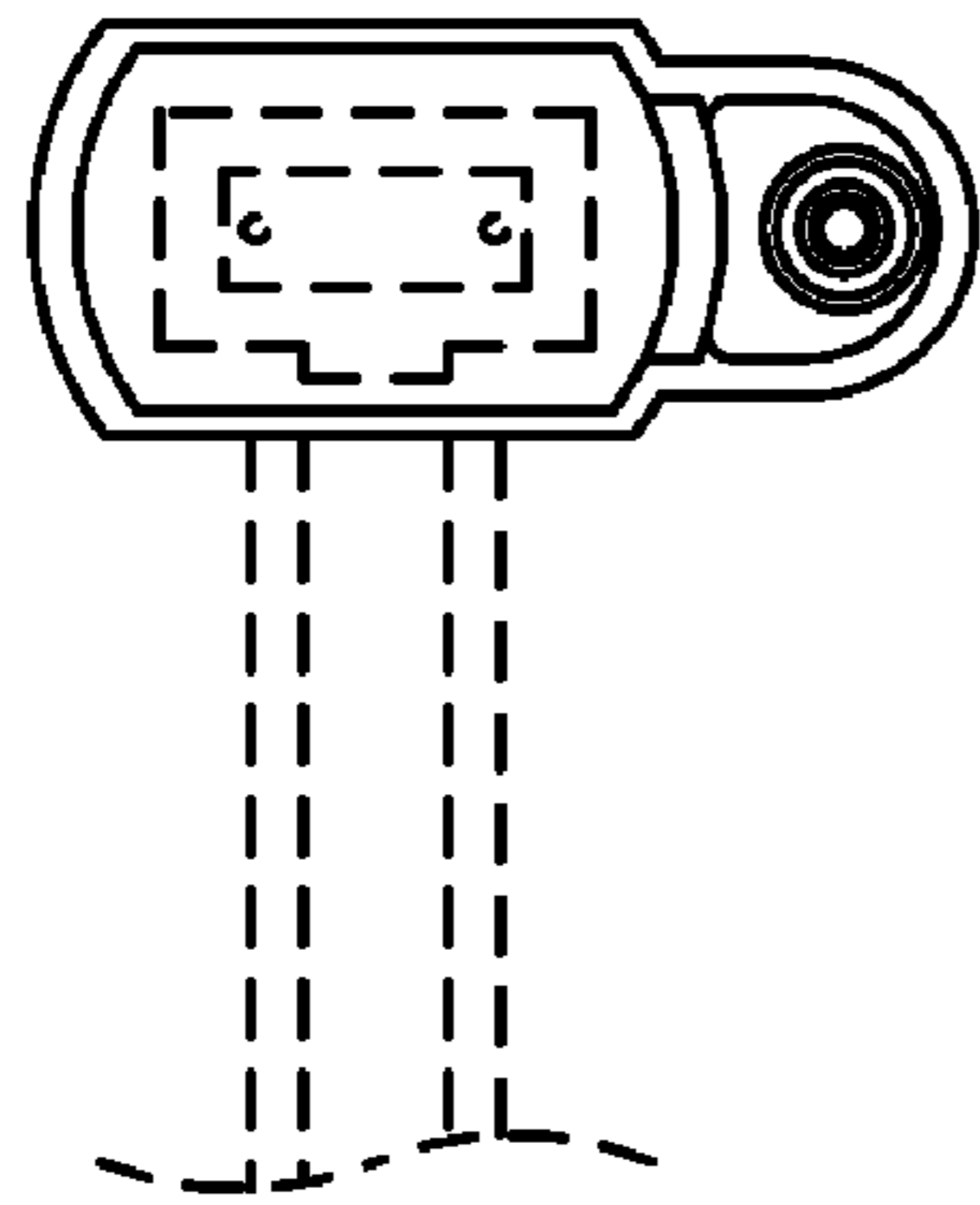


FIG. 3

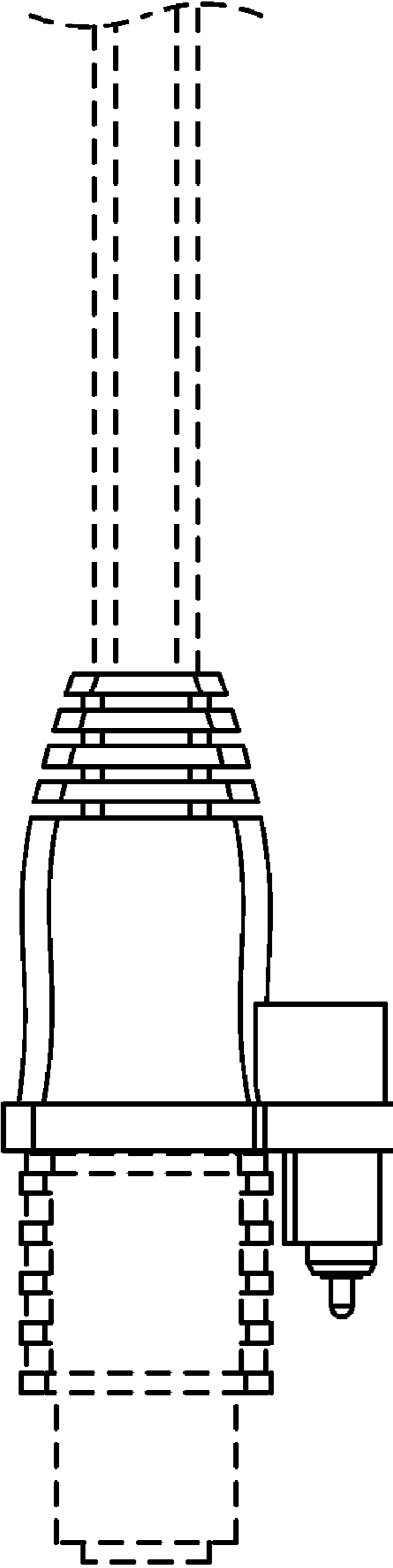


FIG. 4

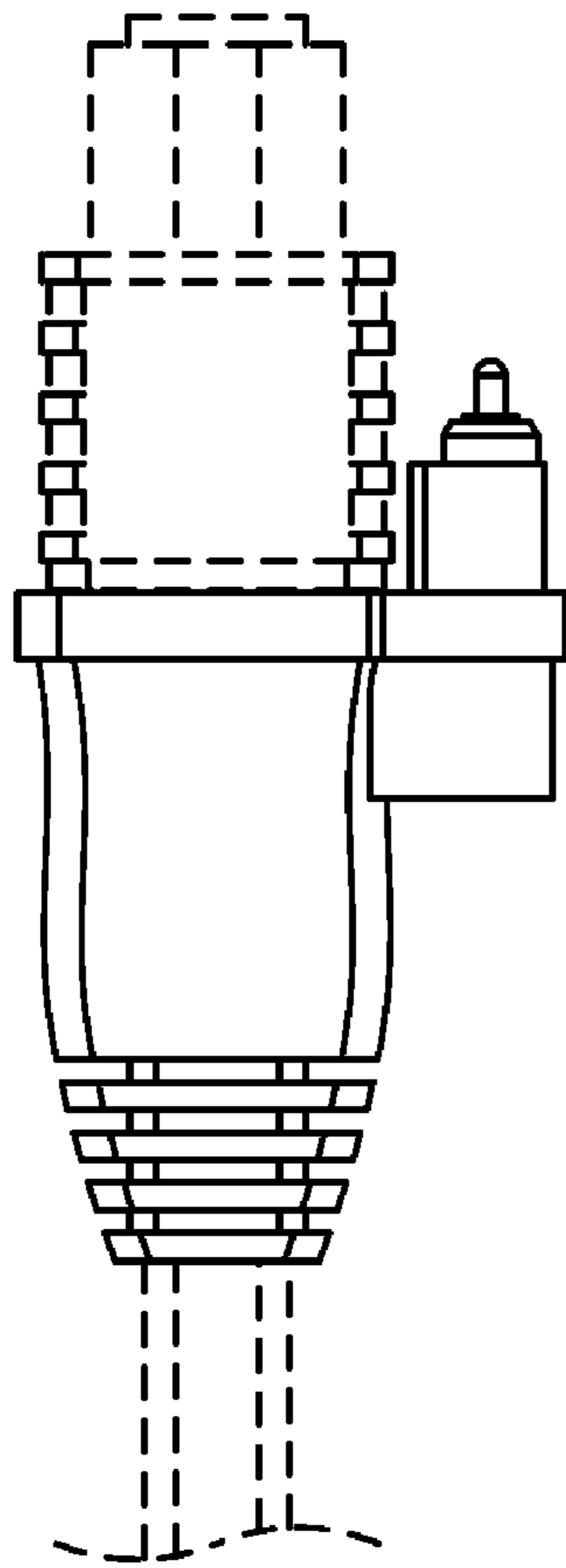


FIG. 5

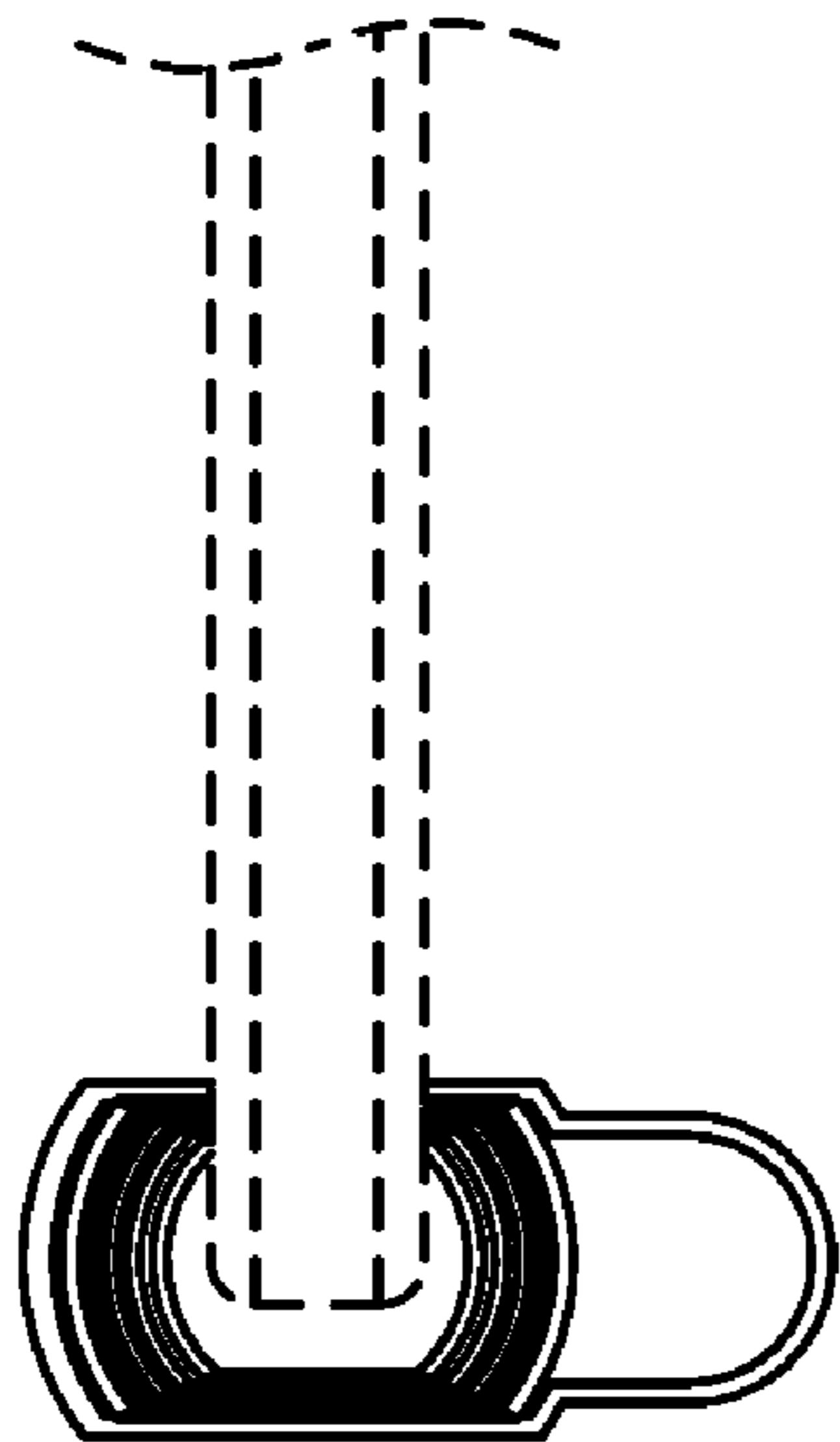


FIG. 6

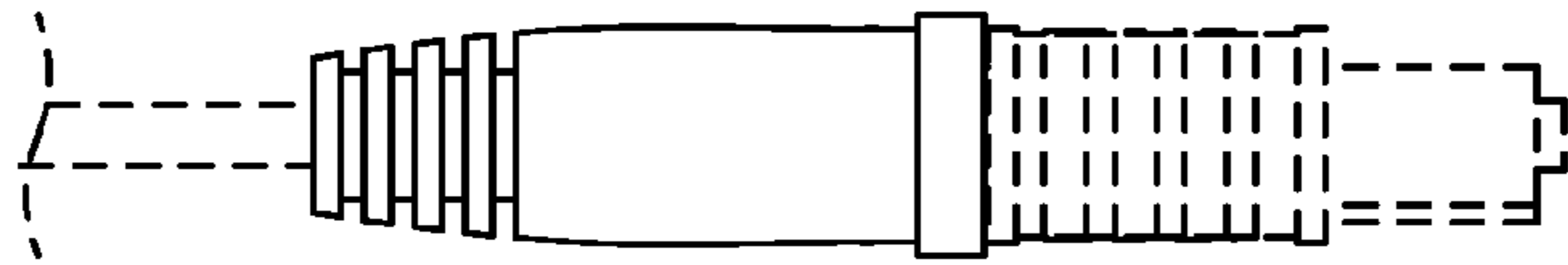


FIG. 7



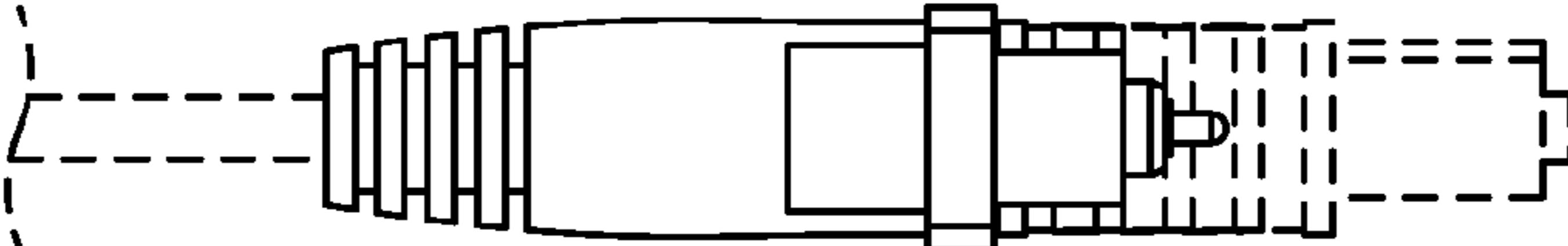


FIG. 8