



US00D603799S

(12) **United States Design Patent**  
**Obikane et al.**

(10) **Patent No.:** **US D603,799 S**

(45) **Date of Patent:** **\*\* Nov. 10, 2009**

(54) **ELECTRICAL CONNECTOR**

(75) Inventors: **Hiroaki Obikane**, Tokyo (JP); **Hiroki Abe**, Shinjo (JP)

(73) Assignees: **Japan Aviation Electronics Industry, Limited**, Tokyo (JP); **JAE Yamagata, Ltd.**, Shinjo-shi, Yamagata (JP)

(\*\*) Term: **14 Years**

(21) Appl. No.: **29/314,720**

(22) Filed: **Apr. 22, 2009**

(30) **Foreign Application Priority Data**

Oct. 28, 2008 (JP) ..... 2008-027611

(51) **LOC (9) Cl.** ..... **13-03**

(52) **U.S. Cl.** ..... **D13/147**

(58) **Field of Classification Search** ..... D13/133,  
D13/146-147, 154, 184; 439/64, 79, 108,  
439/159-160, 260, 325-326, 329, 394-395,  
439/607-610, 629-630, 940

See application file for complete search history.

(56) **References Cited**

**U.S. PATENT DOCUMENTS**

D540,263 S \* 4/2007 Kishi et al. .... D13/147

D562,774 S \* 2/2008 Kojima et al. .... D13/147

D570,289 S \* 6/2008 Obikane ..... D13/147

D578,481 S \* 10/2008 Lee et al. .... D13/147

D588,541 S \* 3/2009 Lee et al. .... D13/147

\* cited by examiner

*Primary Examiner*—Daniel D Bui

(74) *Attorney, Agent, or Firm*—Collard & Roe, P.C.

(57) **CLAIM**

The ornamental design for an electrical connector, as shown and described.

**DESCRIPTION**

FIG. 1 is a front elevational view of an electrical connector showing our new design. The rear elevational view being a mirror image thereof;

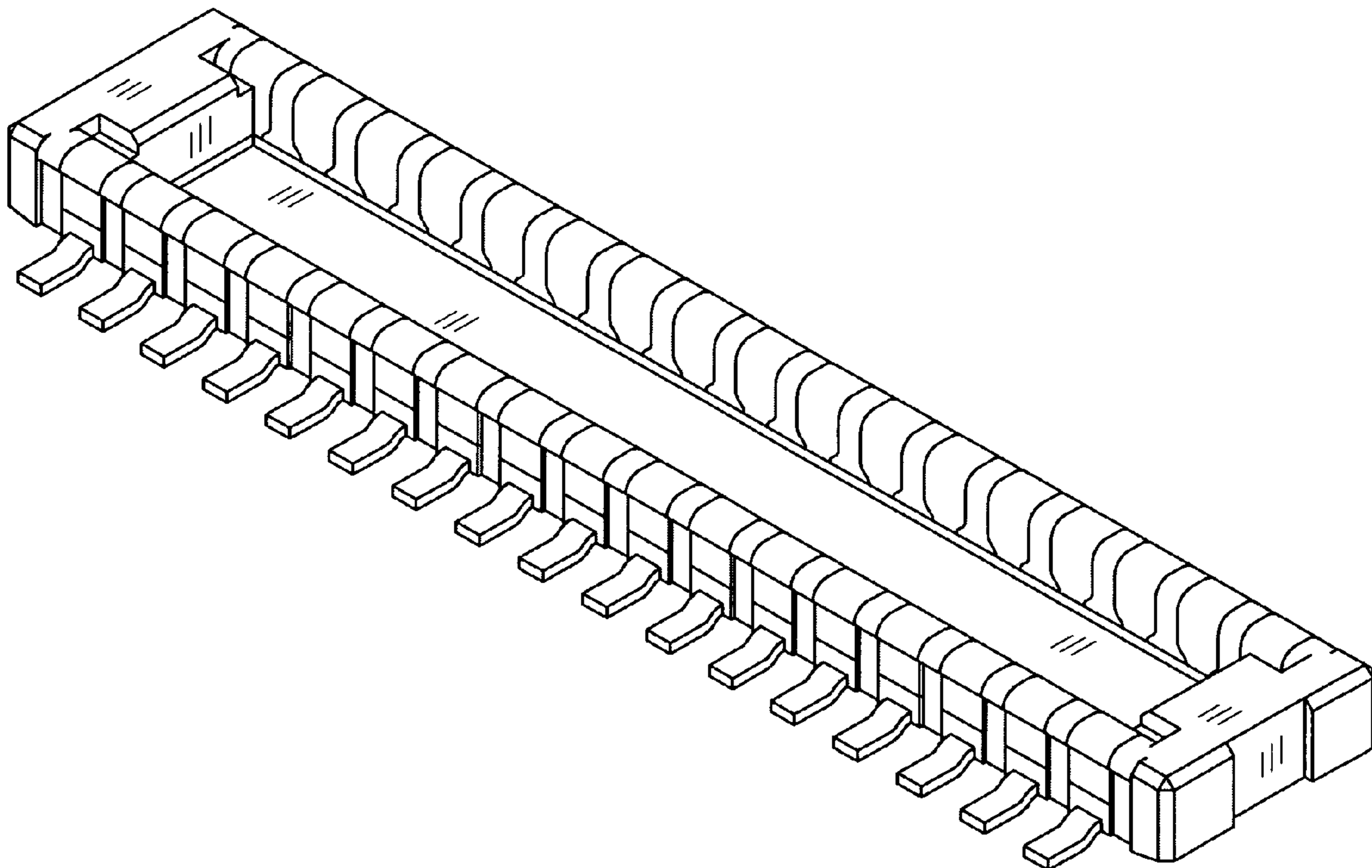
FIG. 2 is a right side elevational view thereof, with the left side being a mirror image thereof;

FIG. 3 is a top plan view thereof;

FIG. 4 is a bottom plan view thereof; and,

FIG. 5 is a front, right side and top perspective view thereof.

**1 Claim, 5 Drawing Sheets**



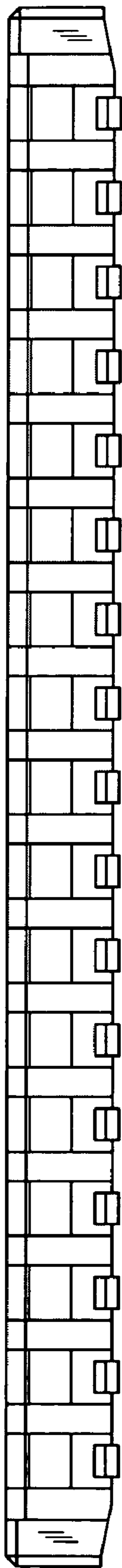


FIG. 1

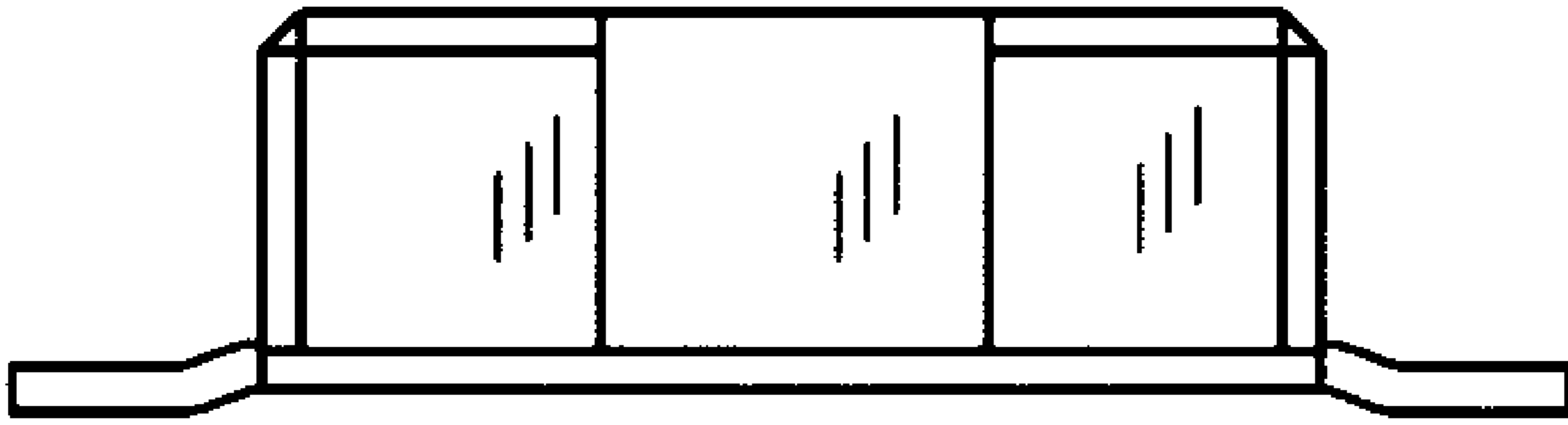


FIG. 2

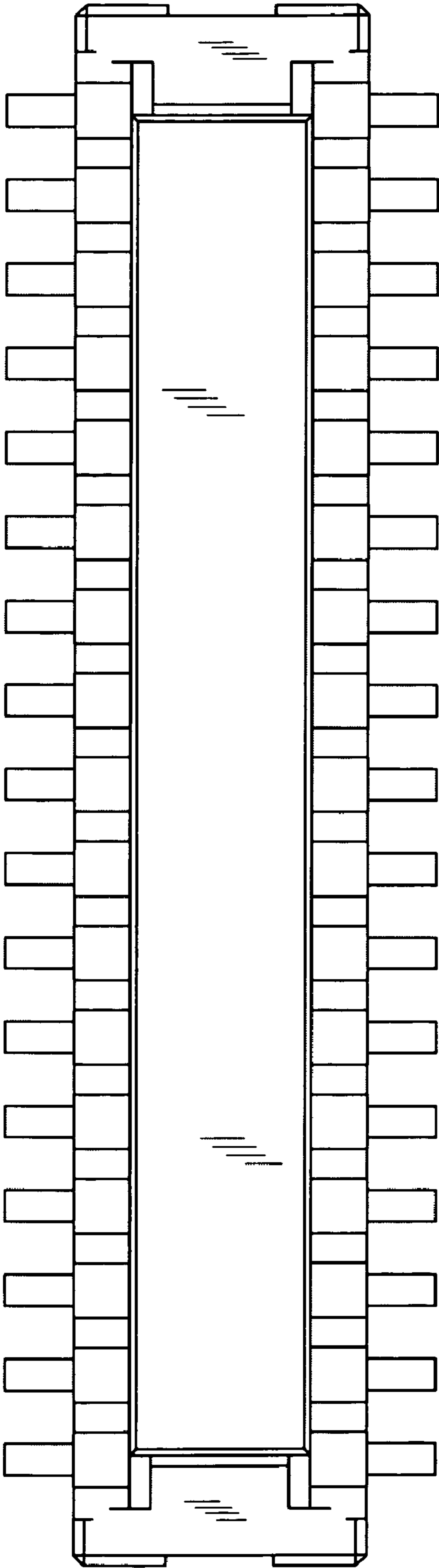


FIG. 3

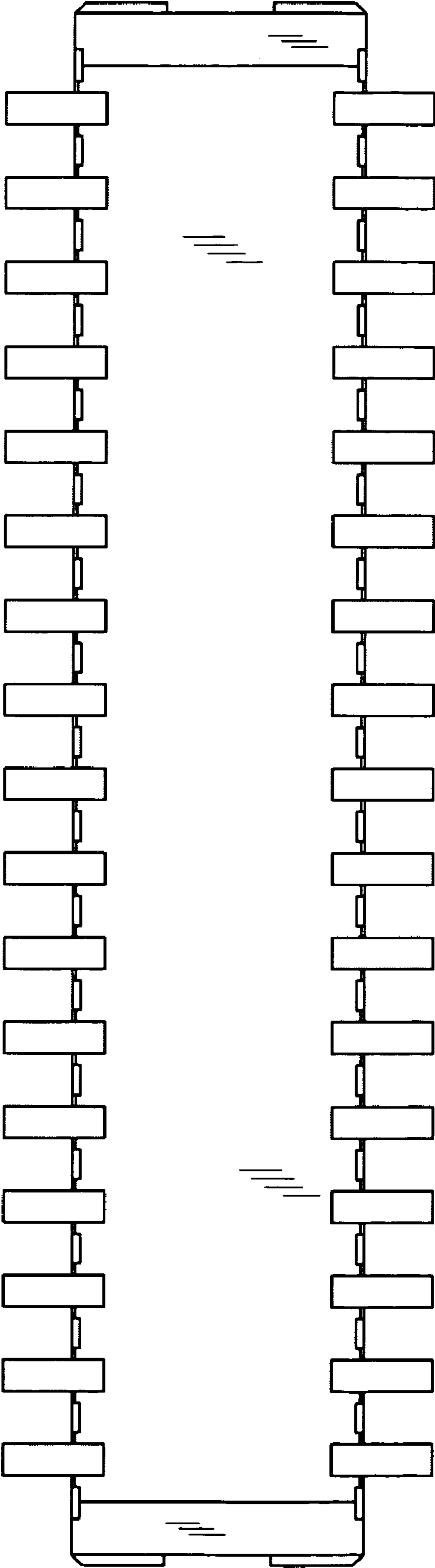


FIG. 4

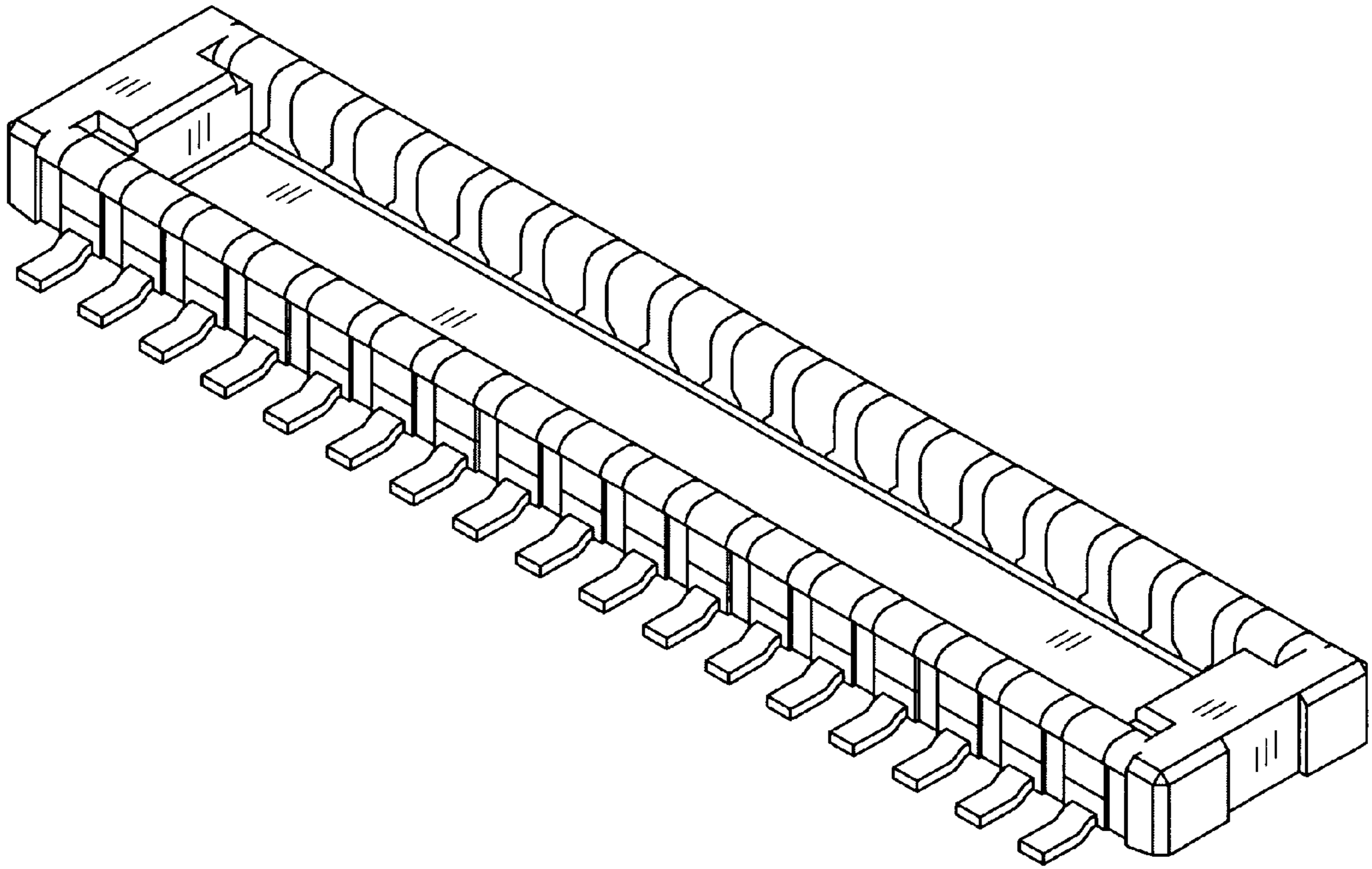


FIG. 5