



US00D603798S

(12) **United States Design Patent**
Obikane et al.

(10) **Patent No.:** **US D603,798 S**

(45) **Date of Patent:** **** Nov. 10, 2009**

(54) **ELECTRICAL CONNECTOR**

(75) Inventors: **Hiroaki Obikane**, Tokyo (JP); **Hiroki Abe**, Shinjo (JP)

(73) Assignees: **Japan Aviation Electronics Industry, Limited**, Tokyo (JP); **JAE Yamagata, Ltd.**, Shinjo-shi, Yamagata (JP)

(**) Term: **14 Years**

(21) Appl. No.: **29/314,718**

(22) Filed: **Apr. 22, 2009**

(30) **Foreign Application Priority Data**

Oct. 28, 2008 (JP) 2008-027612

(51) **LOC (9) Cl.** **13-03**

(52) **U.S. Cl.** **D13/147**

(58) **Field of Classification Search** D13/133,
D13/146-147, 154, 184; 439/64, 79, 108,
439/159-160, 260, 325-326, 329, 394-395,
439/607-610, 629-630, 940

See application file for complete search history.

(56) **References Cited**

U.S. PATENT DOCUMENTS

D453,734 S * 2/2002 Shimoyama et al. D13/147
D500,738 S * 1/2005 Obikane et al. D13/147

7,037,117 B2 * 5/2006 Goto 439/74
7,070,423 B2 * 7/2006 Zhang et al. 439/74
D539,225 S * 3/2007 Kishi et al. D13/147
D539,227 S * 3/2007 Yamada et al. D13/147
2004/0102065 A1 * 5/2004 Obikane et al. 439/74
2006/0178022 A1 * 8/2006 Liu 439/74
2006/0276060 A1 * 12/2006 Takano 439/74

* cited by examiner

Primary Examiner—Daniel D Bui

(74) *Attorney, Agent, or Firm*—Collard & Roe P.C.

(57) **CLAIM**

The ornamental design for an electrical connector, as shown and described.

DESCRIPTION

FIG. 1 is a front elevational view of an electrical connector showing our new design. The rear elevational view being a mirror image thereof;

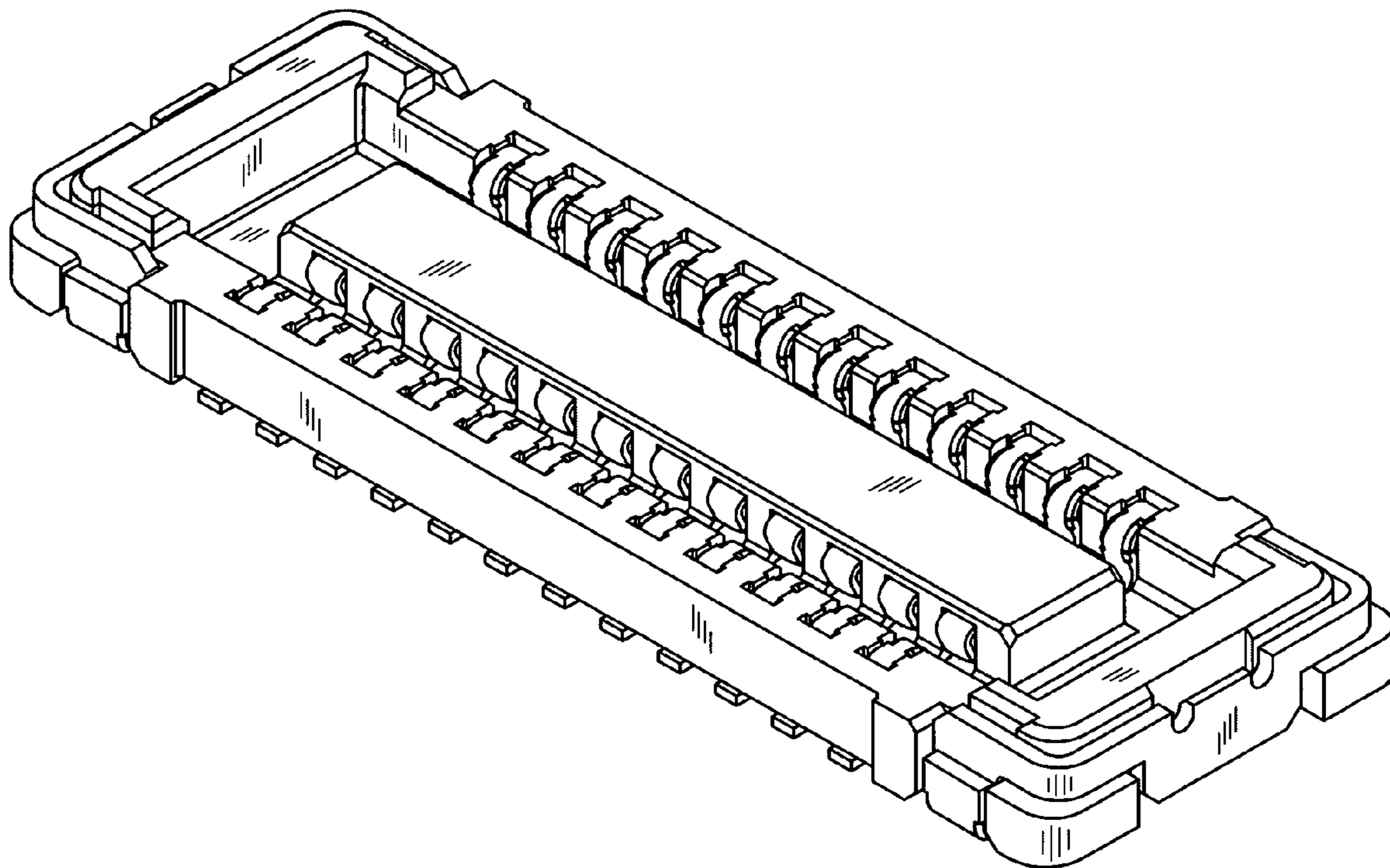
FIG. 2 is a right side elevational view thereof, with the left side being a mirror image thereof;

FIG. 3 is a top plan view thereof;

FIG. 4 is a bottom plan view thereof; and,

FIG. 5 is a front, right side and top perspective view thereof.

1 Claim, 5 Drawing Sheets



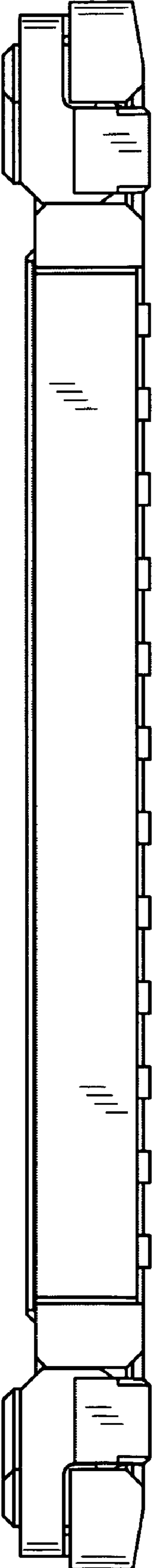


FIG. 1

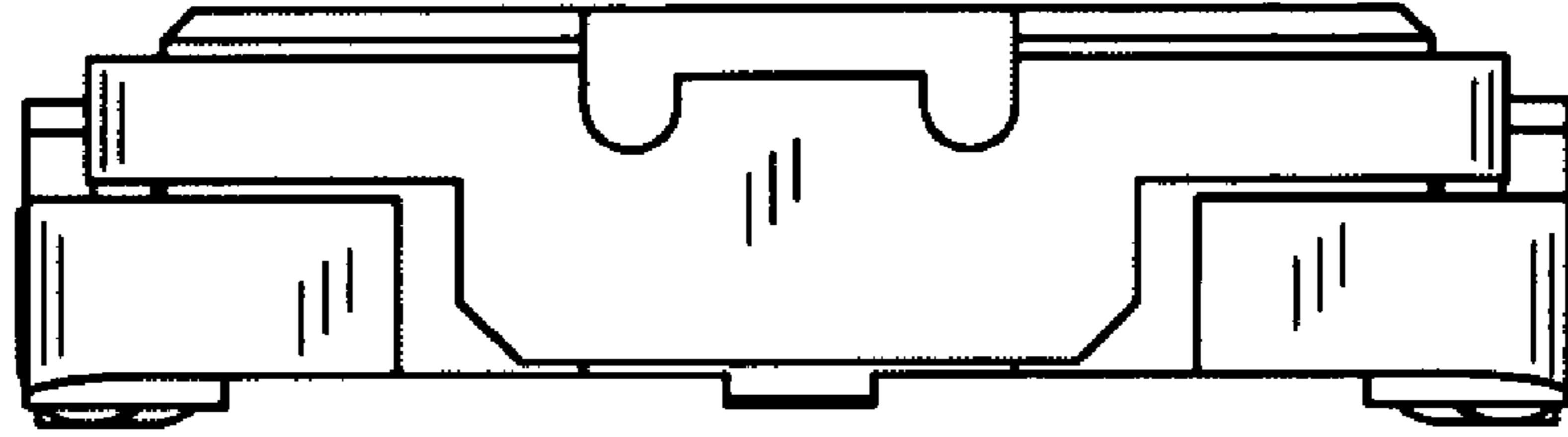


FIG. 2

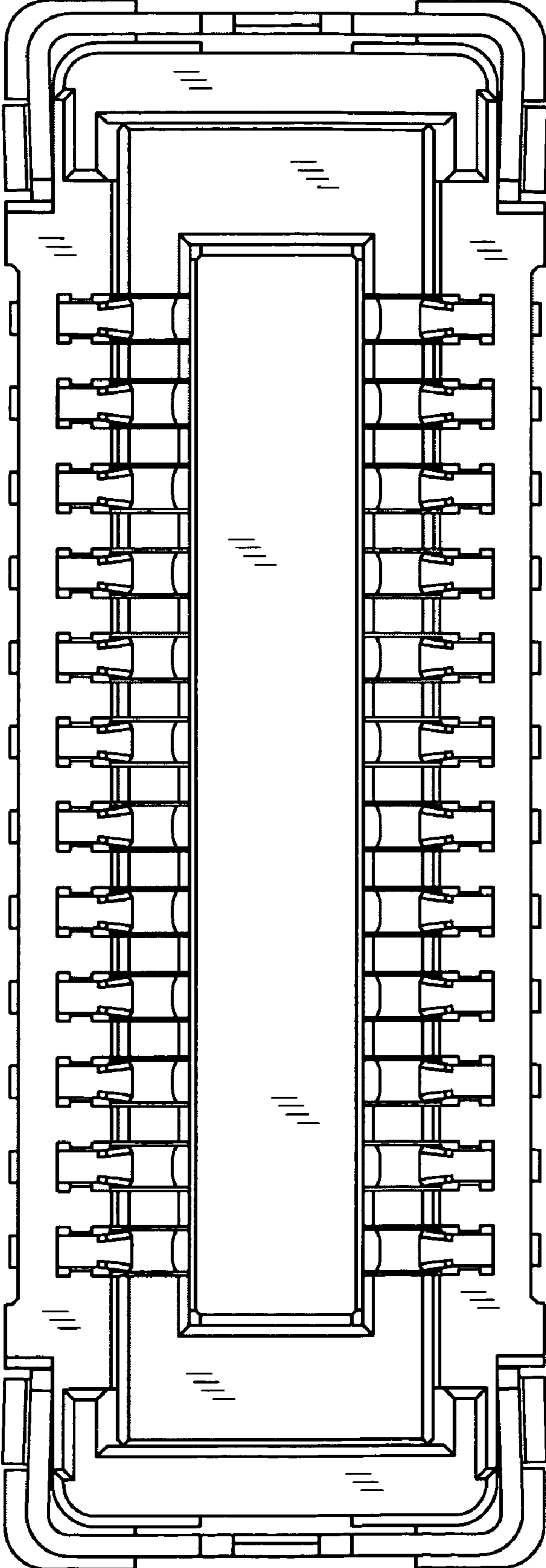


FIG. 3

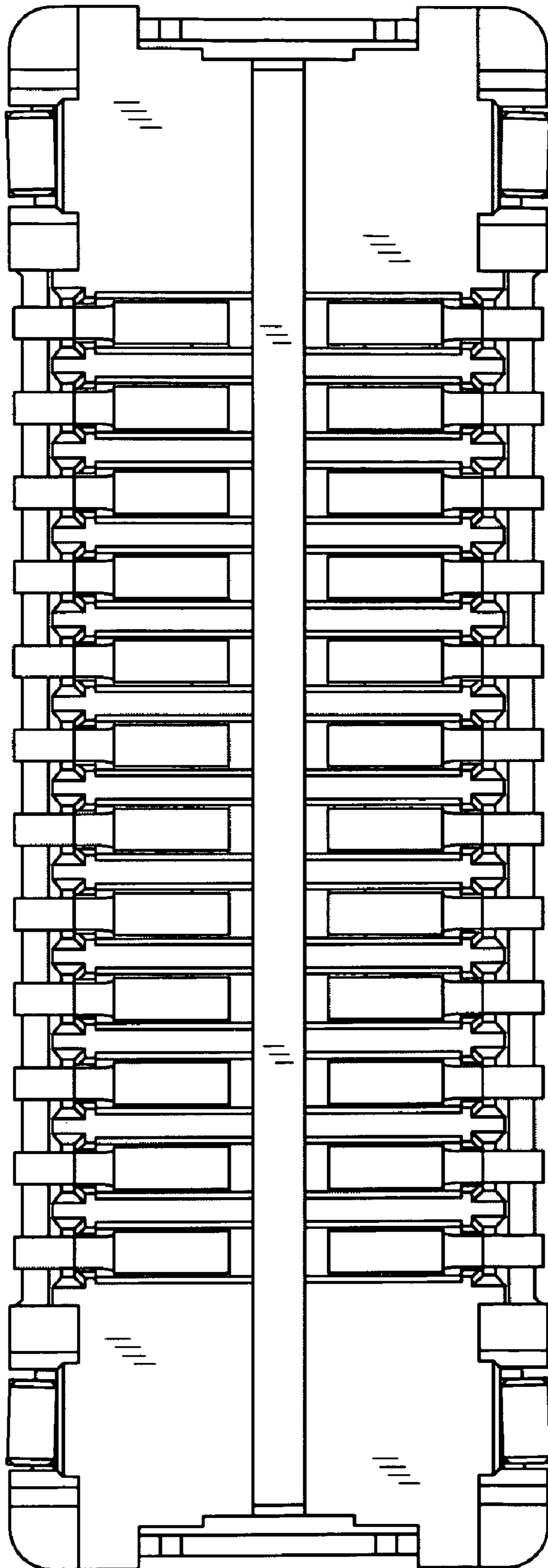


FIG. 4

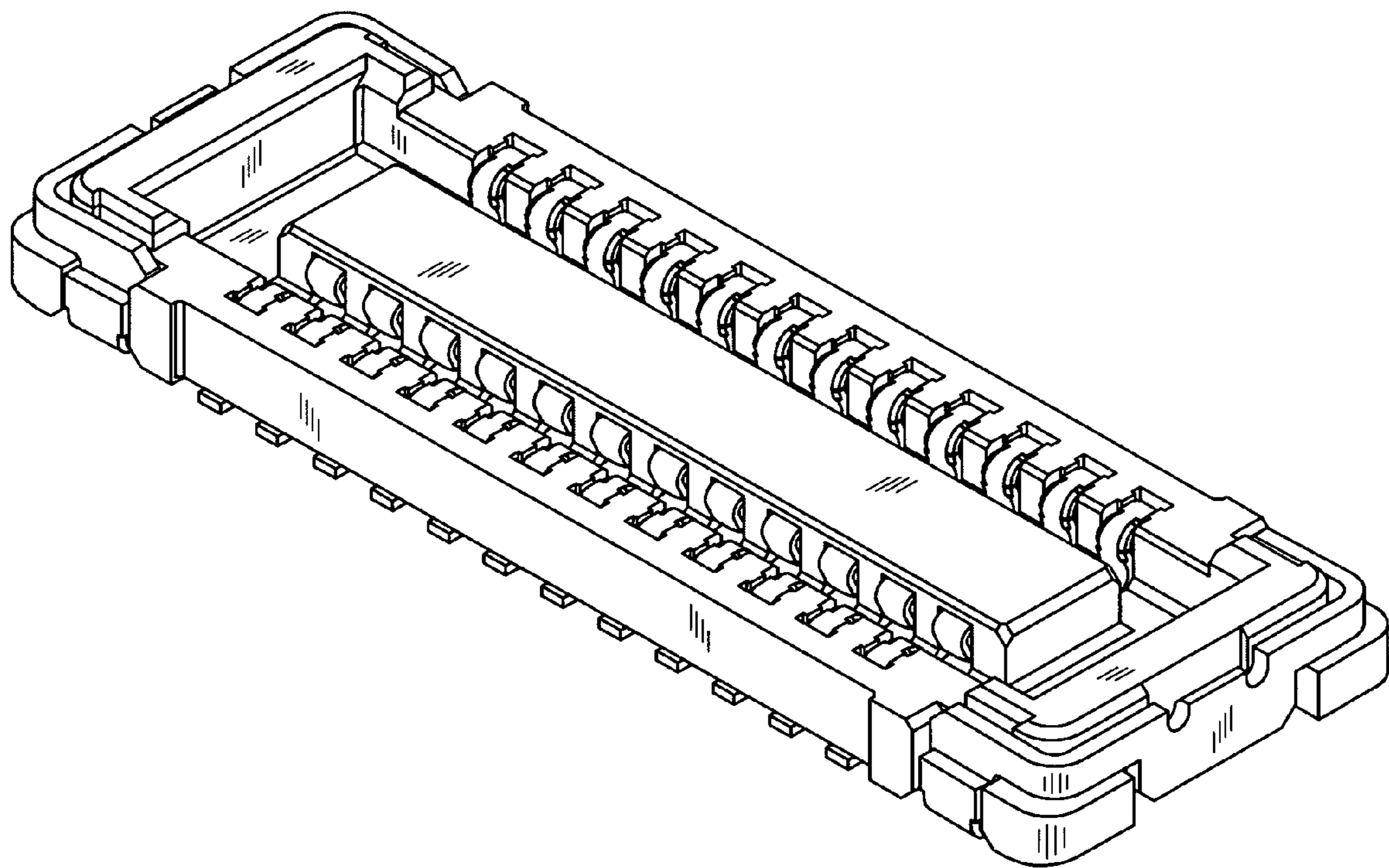


FIG. 5