



US00D603797S

(12) **United States Design Patent**
Tsai et al.

(10) **Patent No.:** **US D603,797 S**
(45) **Date of Patent:** **** Nov. 10, 2009**

(54) **ELECTRICAL CONNECTOR**

(75) Inventors: **Tzu-Ching Tsai**, Tu-Cheng (TW);
Ren-Chih Li, Tu-cheng (TW)

(73) Assignee: **Hon Hai Precision Ind. Co., Ltd.**,
Taipei Hsien (TW)

(**) Term: **14 Years**

(21) Appl. No.: **29/310,951**

(22) Filed: **Sep. 19, 2008**

(30) **Foreign Application Priority Data**

Mar. 24, 2008 (TW) 97301706

(51) **LOC (9) Cl.** **13-03**

(52) **U.S. Cl.** **D13/147**

(58) **Field of Classification Search** D13/147,
D13/154, 184; 439/79, 108, 607-610, 660,
439/668, 680

See application file for complete search history.

(56) **References Cited**

U.S. PATENT DOCUMENTS

D364,377 S * 11/1995 Johnson et al. D13/146
D394,864 S * 6/1998 Brandt D14/256

D406,563 S * 3/1999 Kuo D13/147
D578,070 S * 10/2008 Shen et al. D13/147
D587,208 S * 2/2009 Tsai et al. D13/147
D587,209 S * 2/2009 Tsai et al. D13/147

* cited by examiner

Primary Examiner—Daniel D Bui

(74) *Attorney, Agent, or Firm*—Andrew C. Cheng; Wei Te
Chung; Ming Chieh Chang

(57) **CLAIM**

The ornamental design for an electrical connector, as shown.

DESCRIPTION

FIG. 1 is a front, top and right side perspective view of an
electrical connector showing our new design;

FIG. 2 is a front elevational view thereof;

FIG. 3 is a rear elevational view thereof;

FIG. 4 is a left side elevational view thereof;

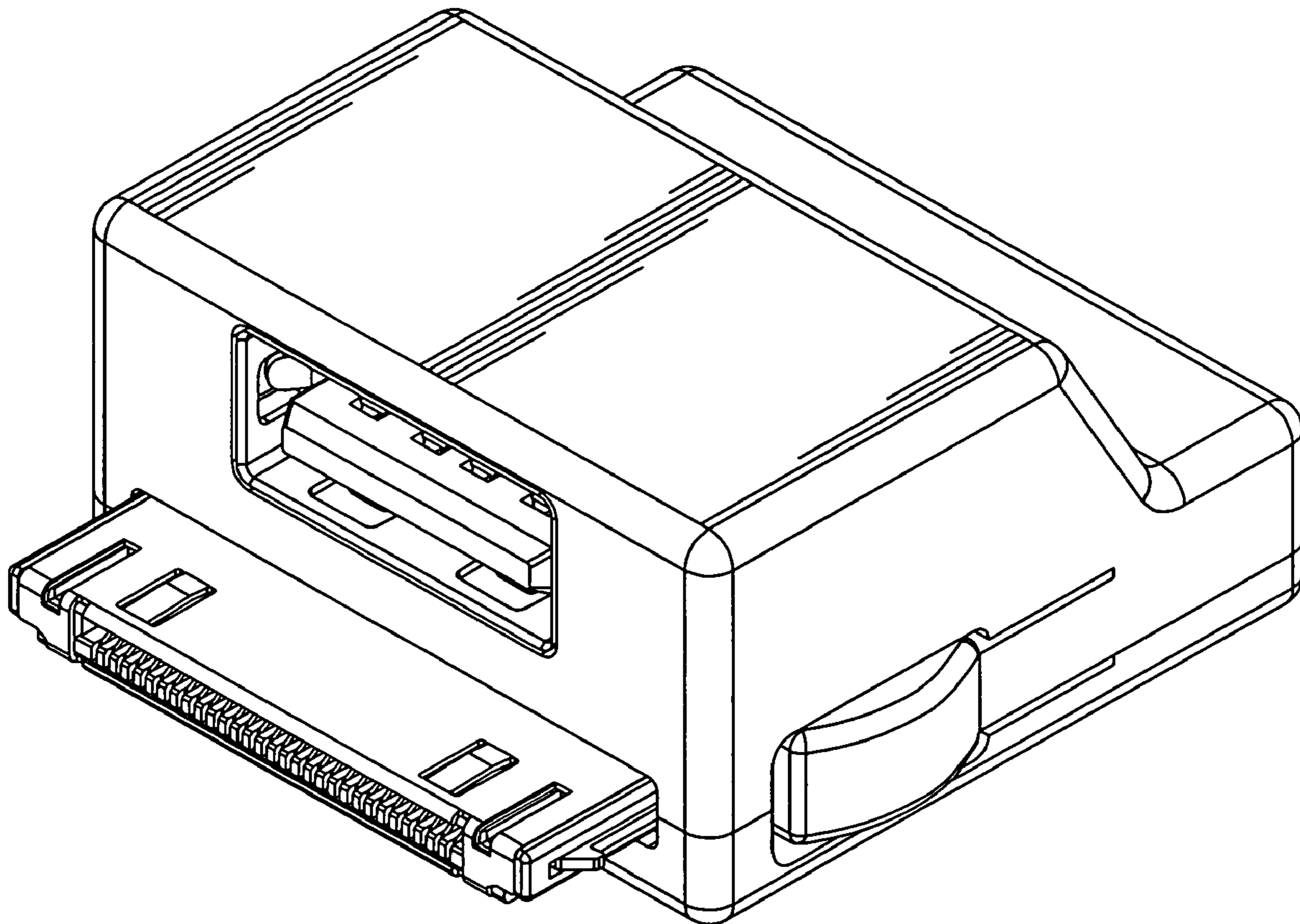
FIG. 5 is a right side elevational view thereof;

FIG. 6 is a top plan view thereof;

FIG. 7 is a bottom plan view thereof; and,

FIG. 8 is a rear, top and left side perspective view thereof.

1 Claim, 8 Drawing Sheets



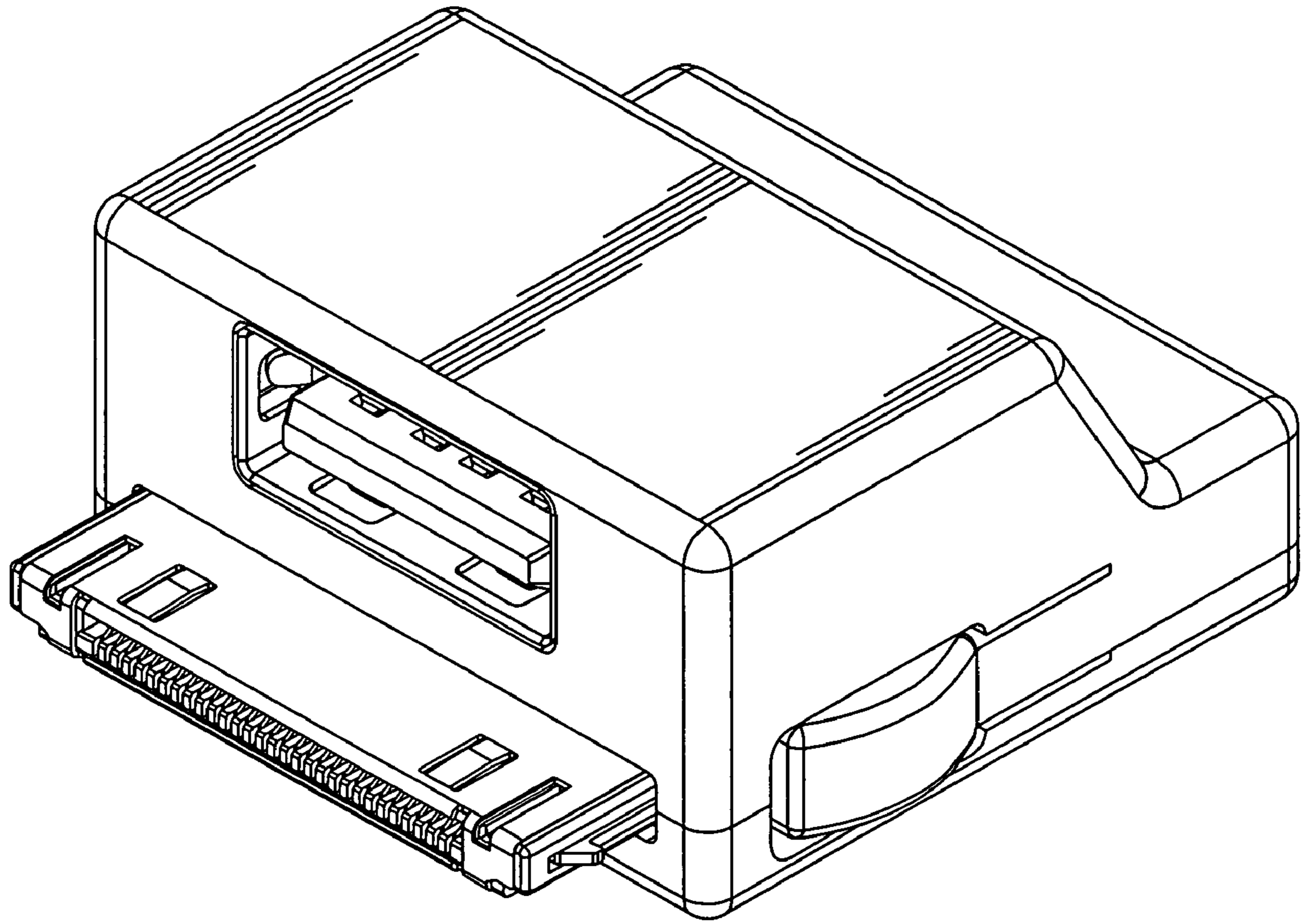


FIG. 1

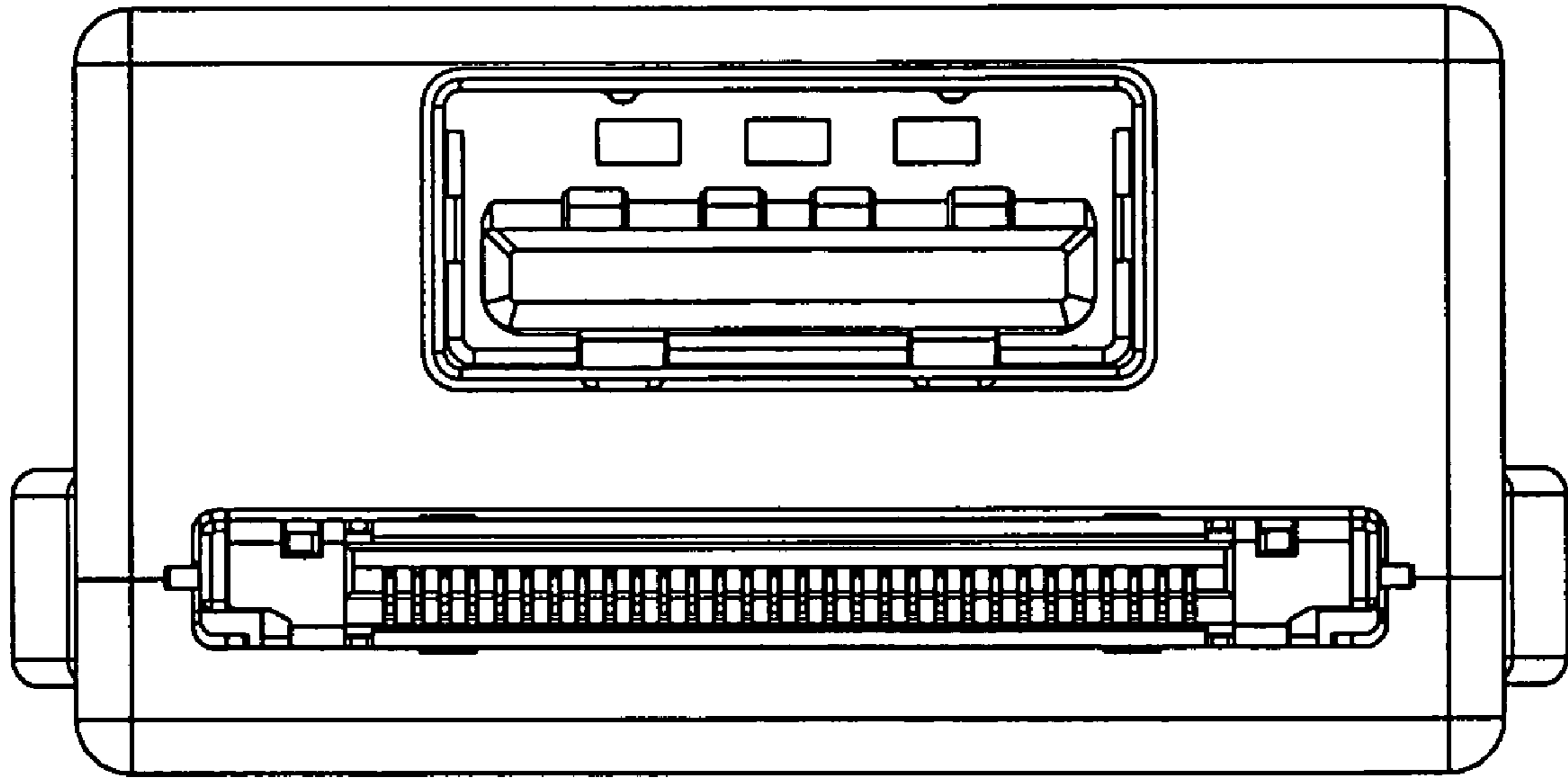


FIG. 2

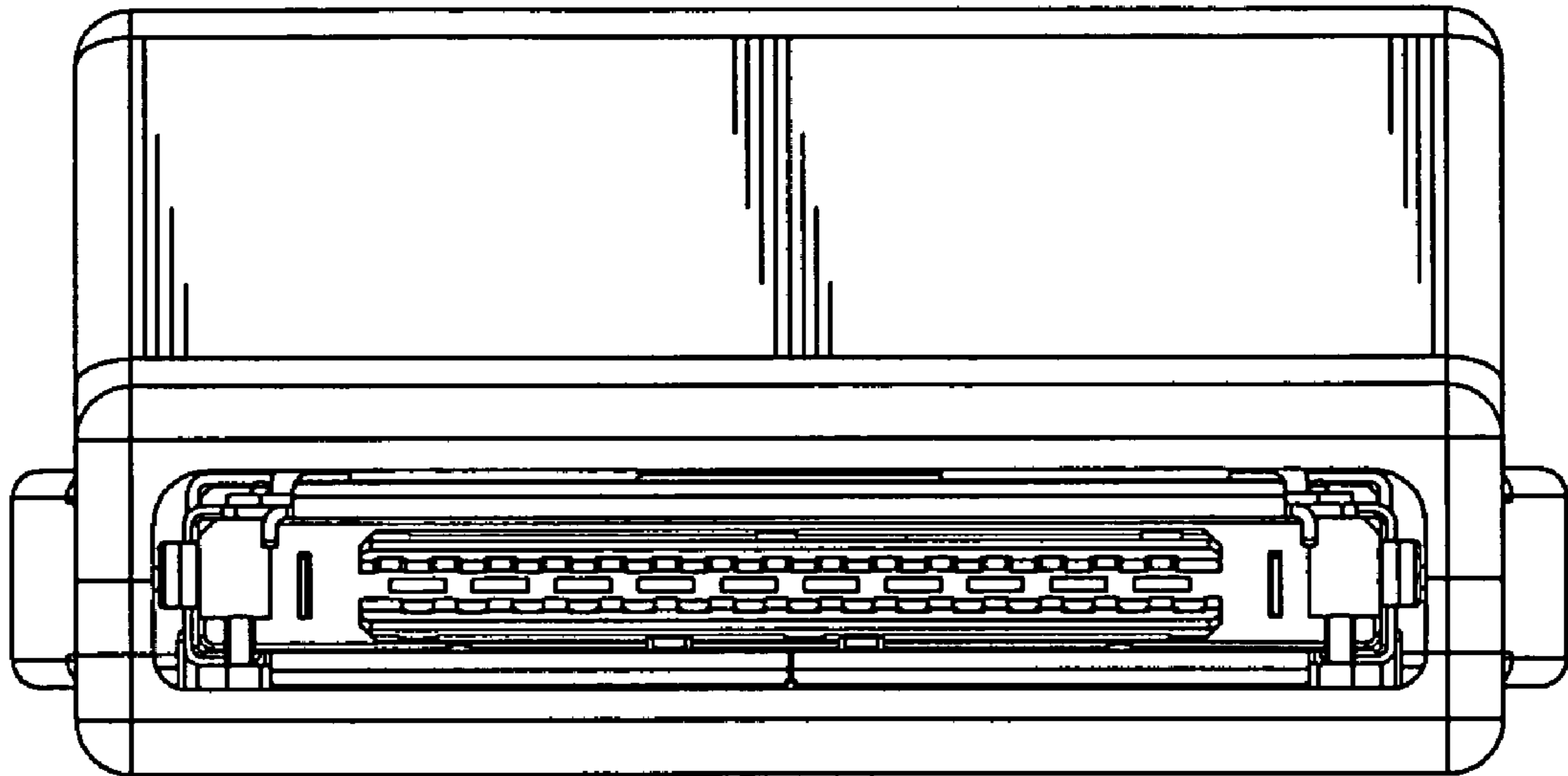


FIG. 3

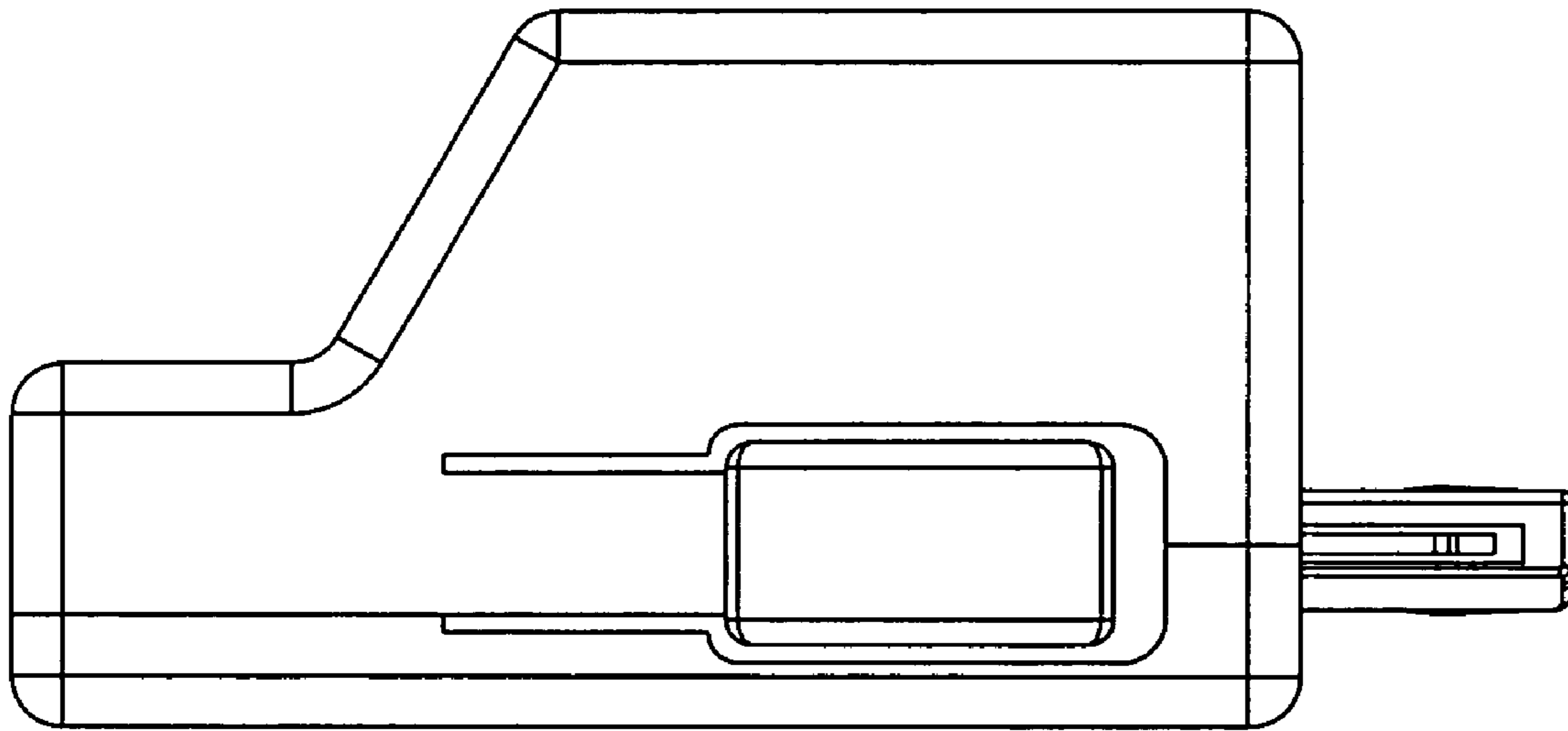


FIG. 4

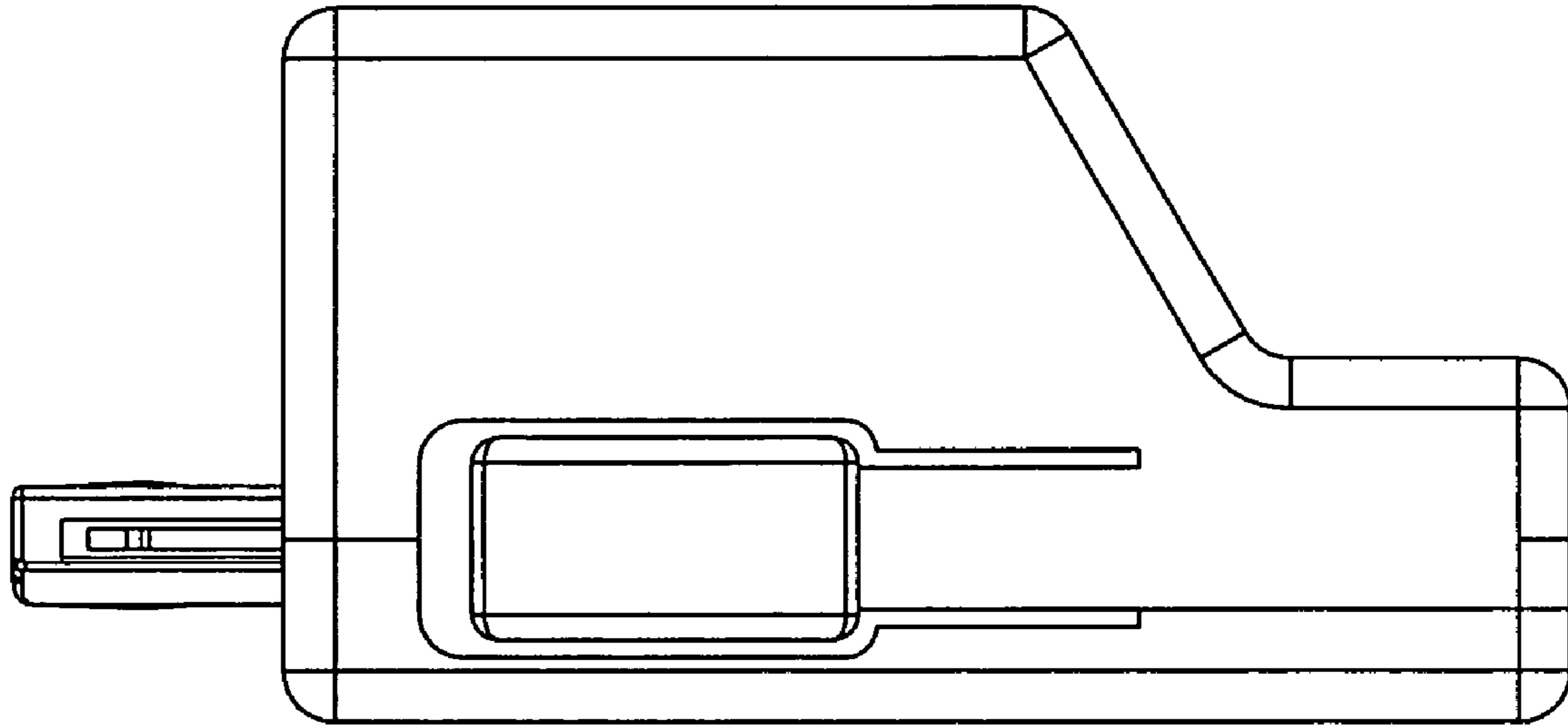


FIG. 5

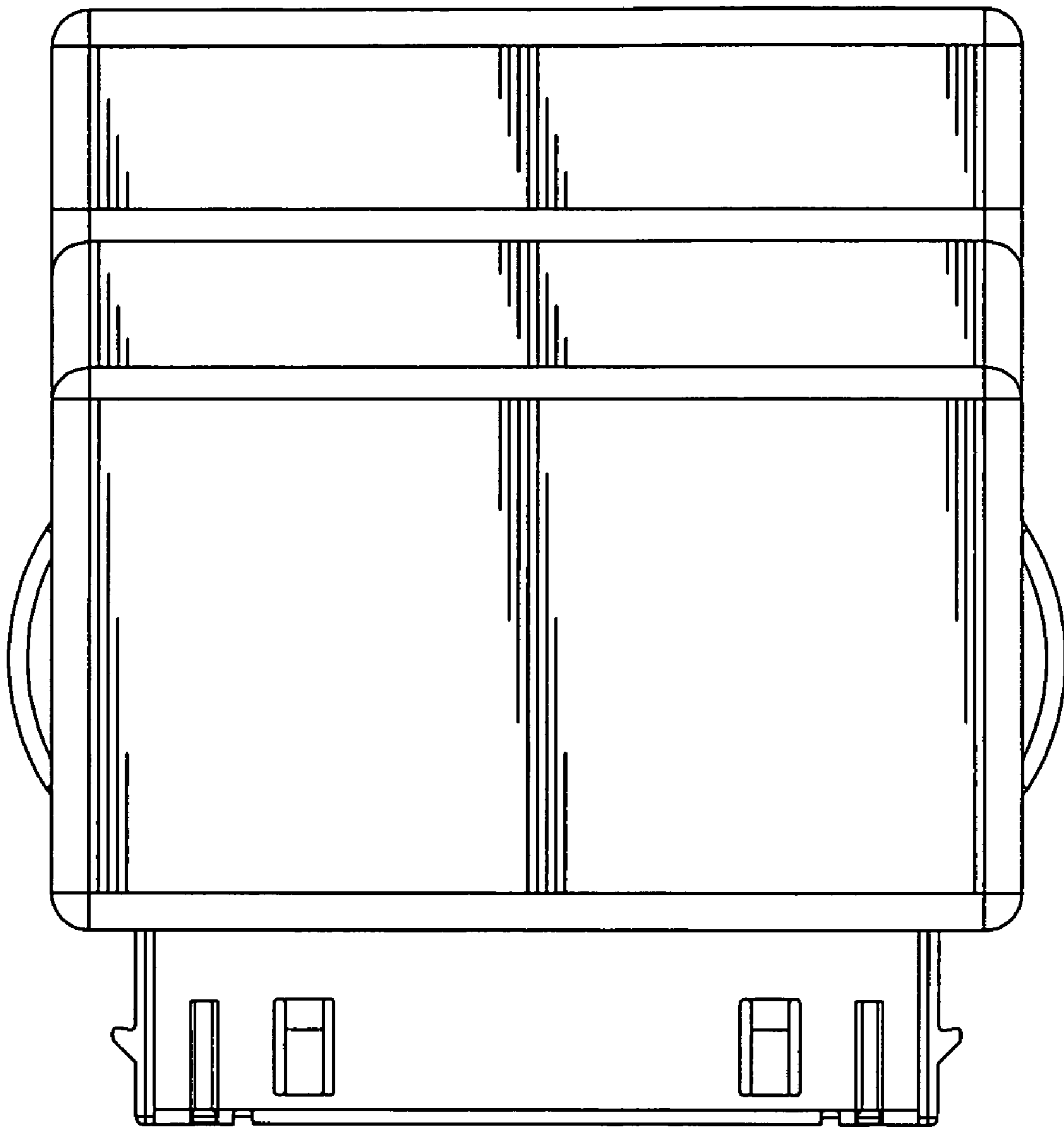


FIG. 6

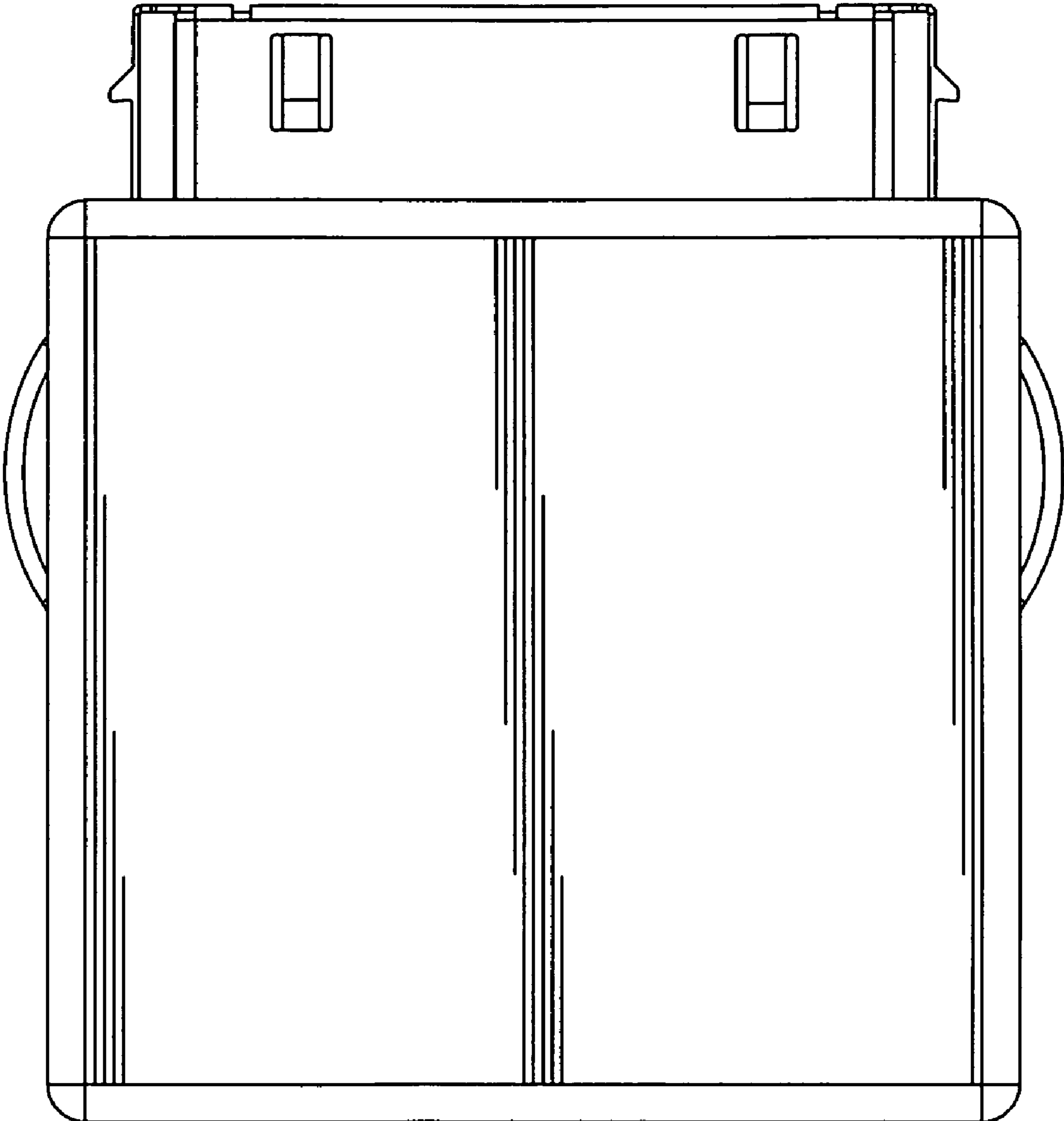


FIG. 7

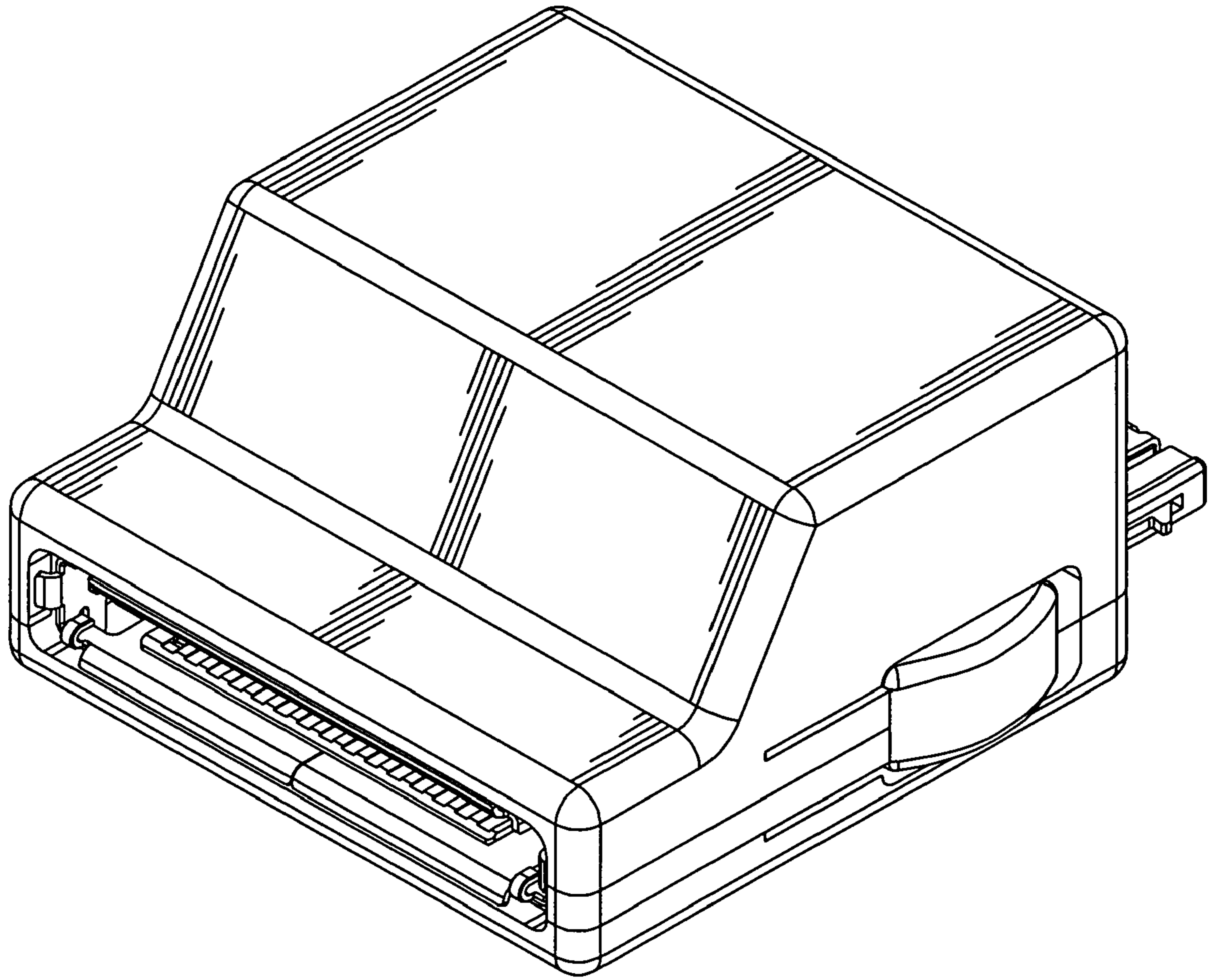


FIG. 8