

US00D603795S

(12) **United States Design Patent**
Kono

(10) **Patent No.:** **US D603,795 S**

(45) **Date of Patent:** **** Nov. 10, 2009**

(54) **RETAINER FOR A VIBRATION MOTOR**

2007/0241626 A1 10/2007 Suzuki et al. 310/71

* cited by examiner

(75) Inventor: **Kenji Kono**, Ueda (JP)

Primary Examiner—Prabhakar Deshmukh

Assistant Examiner—Derrick Holland

(73) Assignees: **Sanyo Seimitsu Co., Ltd.**, Ueda-shi (JP); **Sanyo Electric Co., Ltd.**, Moriguchi-shi (JP)

(74) *Attorney, Agent, or Firm*—Kratz, Quintos & Manson, LLP

(**) Term: **14 Years**

(57) **CLAIM**

(21) Appl. No.: **29/274,688**

The ornamental design for a retainer for a vibration motor, as shown and described.

(22) Filed: **May 15, 2007**

(30) **Foreign Application Priority Data**

DESCRIPTION

Nov. 16, 2006 (JP) 2006-031454

FIG. 1 is a front view of a retainer for a vibration motor showing my new design;

(51) **LOC (9) Cl.** **13-01**

FIG. 2 is a rear view thereof;

(52) **U.S. Cl.** **D13/122; D13/118**

FIG. 3 is a top plan view thereof;

(58) **Field of Classification Search** D13/122, D13/112, 118, 184, 199; D8/349, 382, 394, D8/499; 310/64, 71, 81, 89, 90, 91, 112, 310/114, 156.08, 270, 272, 273

FIG. 4 is a bottom plan view thereof;

See application file for complete search history.

FIG. 5 is a right side view thereof, the left side view being a mirror image thereof;

(56) **References Cited**

FIG. 6 is a perspective view when viewed from the front side thereof;

U.S. PATENT DOCUMENTS

FIG. 7 is a perspective view when viewed from the bottom side thereof;

D55,648 S * 7/1920 Saal D13/122

FIG. 8 is a cross-sectional view along lines 8—8 of FIG. 3;

D325,561 S * 4/1992 Wilson D13/118

FIG. 9 is a perspective view thereof, shown in environmental use; and,

D416,227 S * 11/1999 Egan D13/122

FIG. 10 is another perspective view thereof, shown in environmental use.

6,081,055 A * 6/2000 Narusawa 310/81

The broken lines shown represent unclaimed subject matter and form no part of the claimed design.

6,133,657 A * 10/2000 Semenik et al. 310/81

D464,621 S * 10/2002 Segawa D13/112

7,023,114 B2 * 4/2006 Takagi et al. 310/81

D530,278 S * 10/2006 Lyle et al. D13/122

2005/0206257 A1 * 9/2005 Takagi et al. 310/81

1 Claim, 10 Drawing Sheets

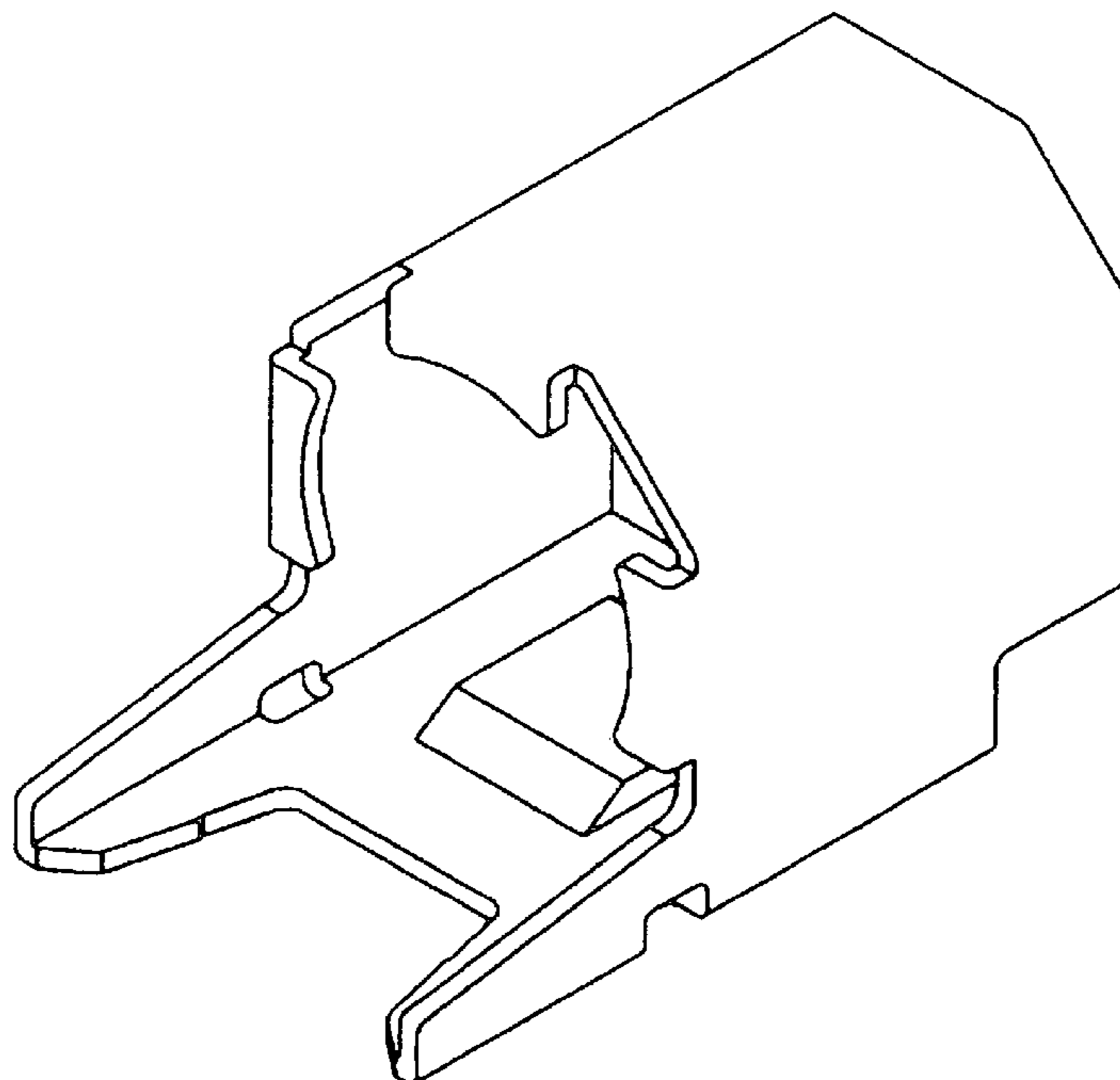


Fig. 1

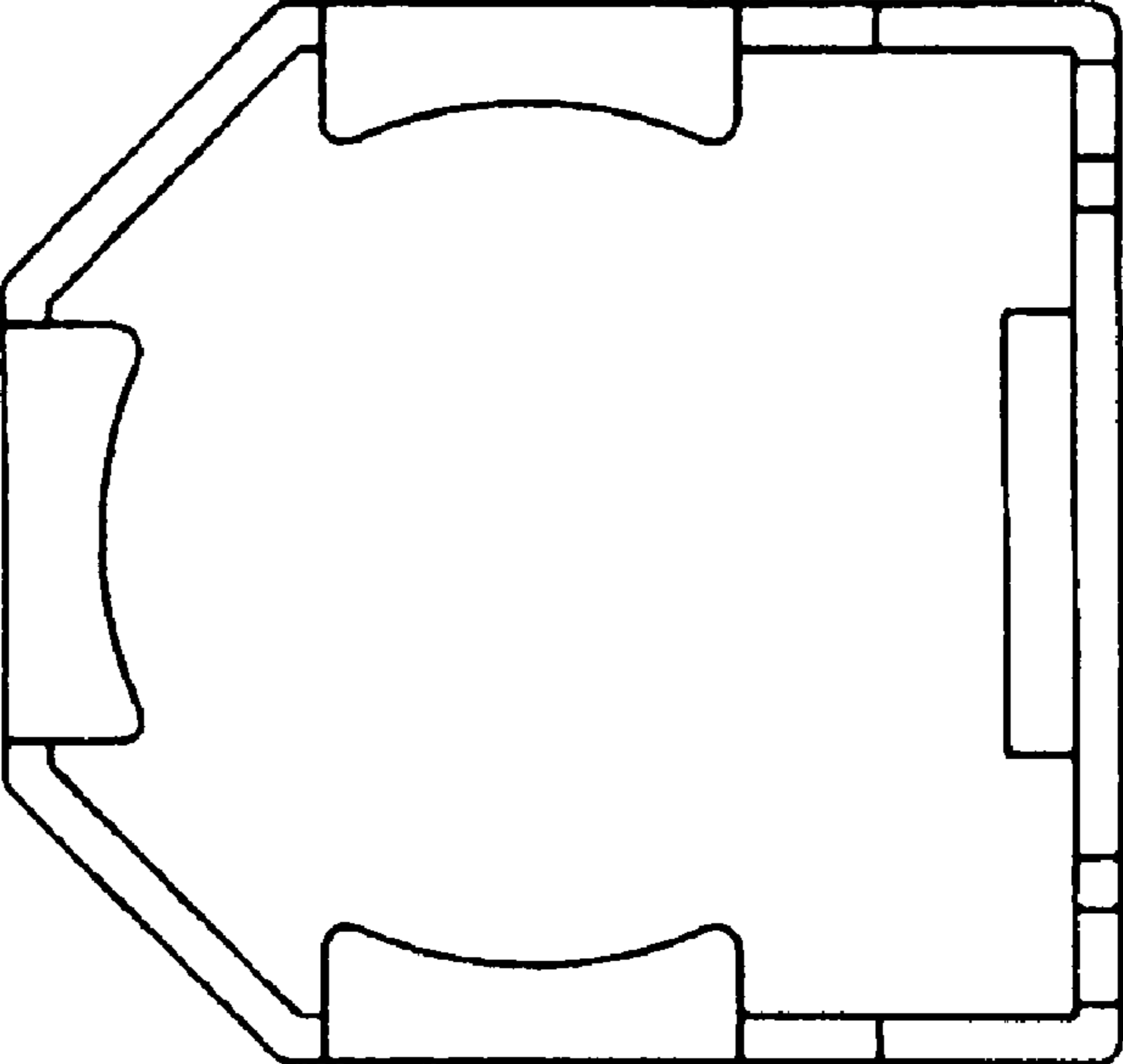
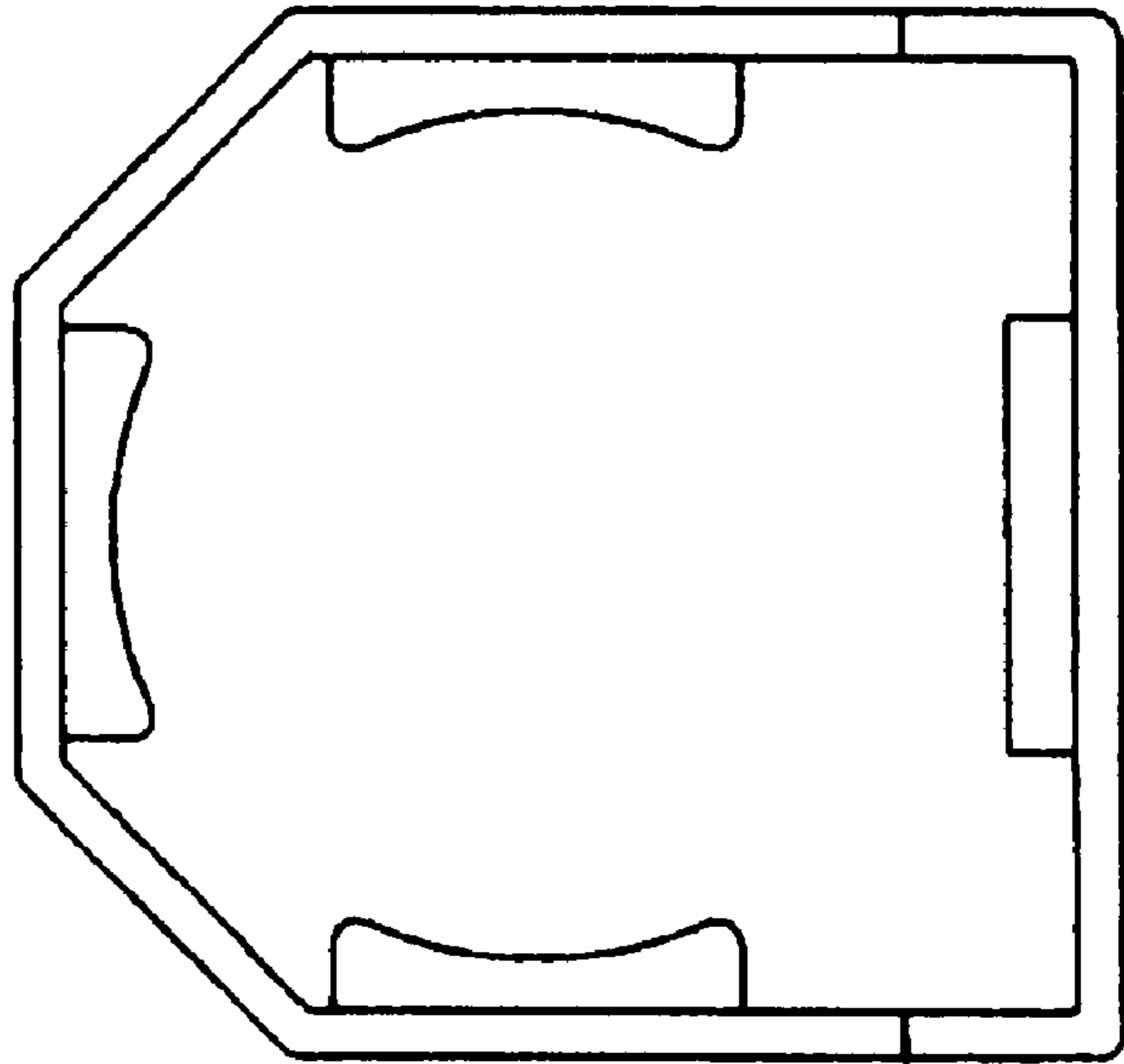


Fig. 2



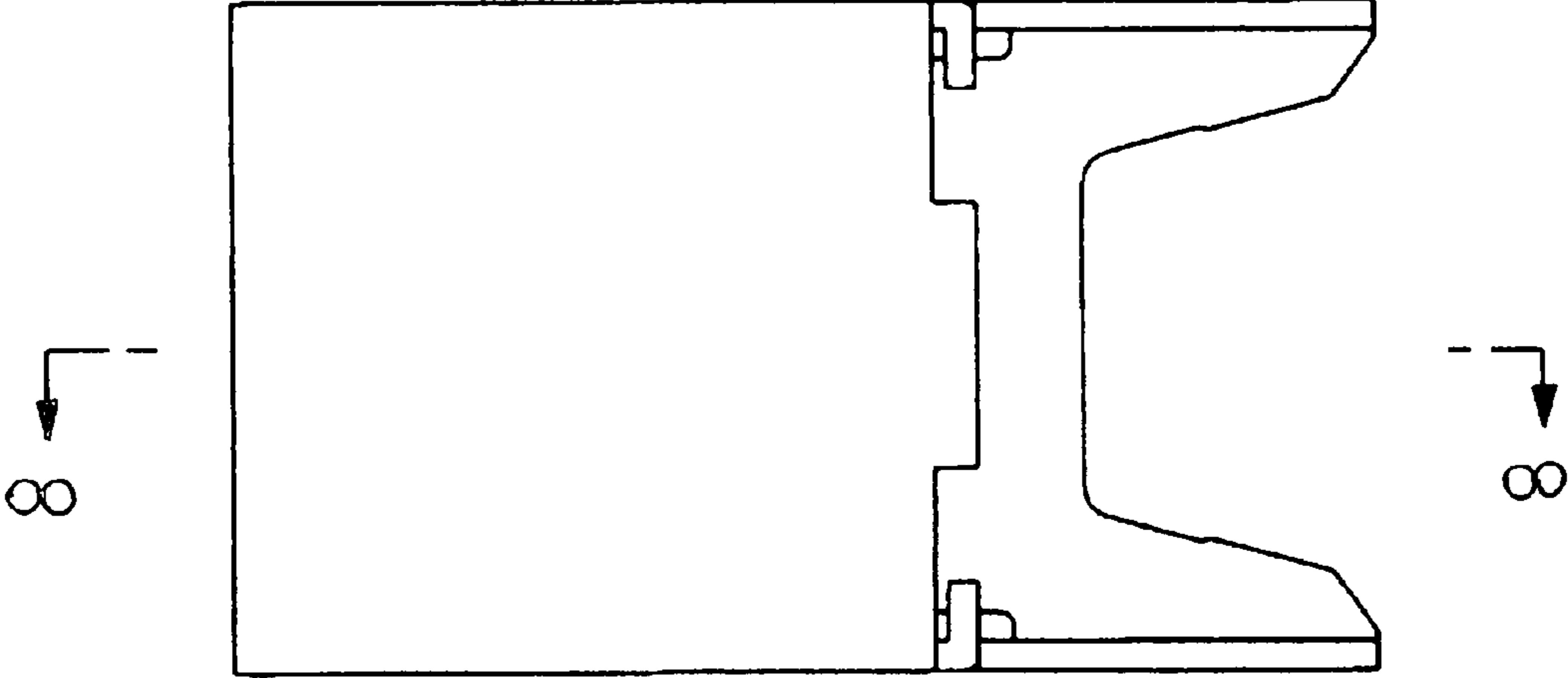


Fig. 3

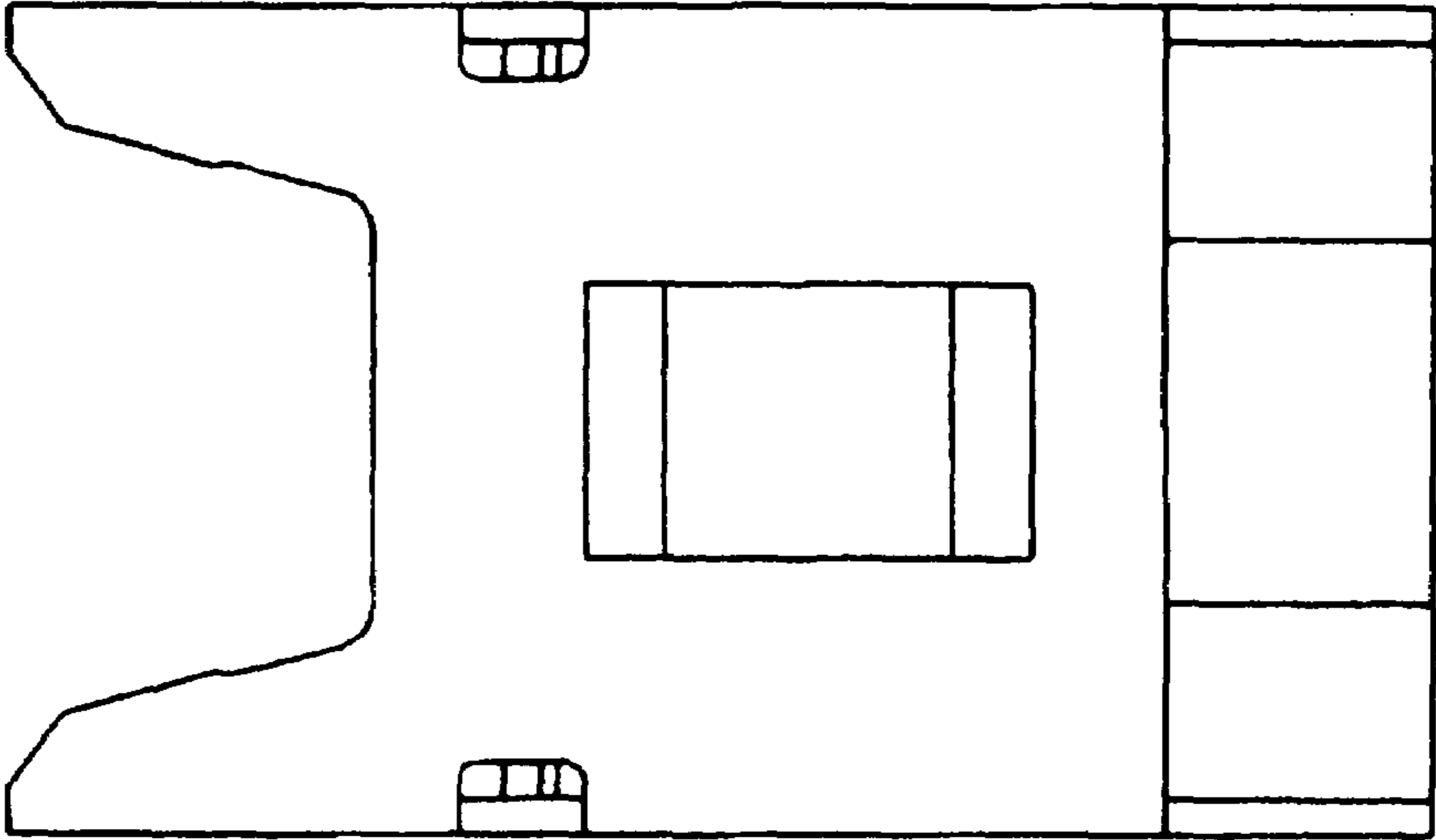
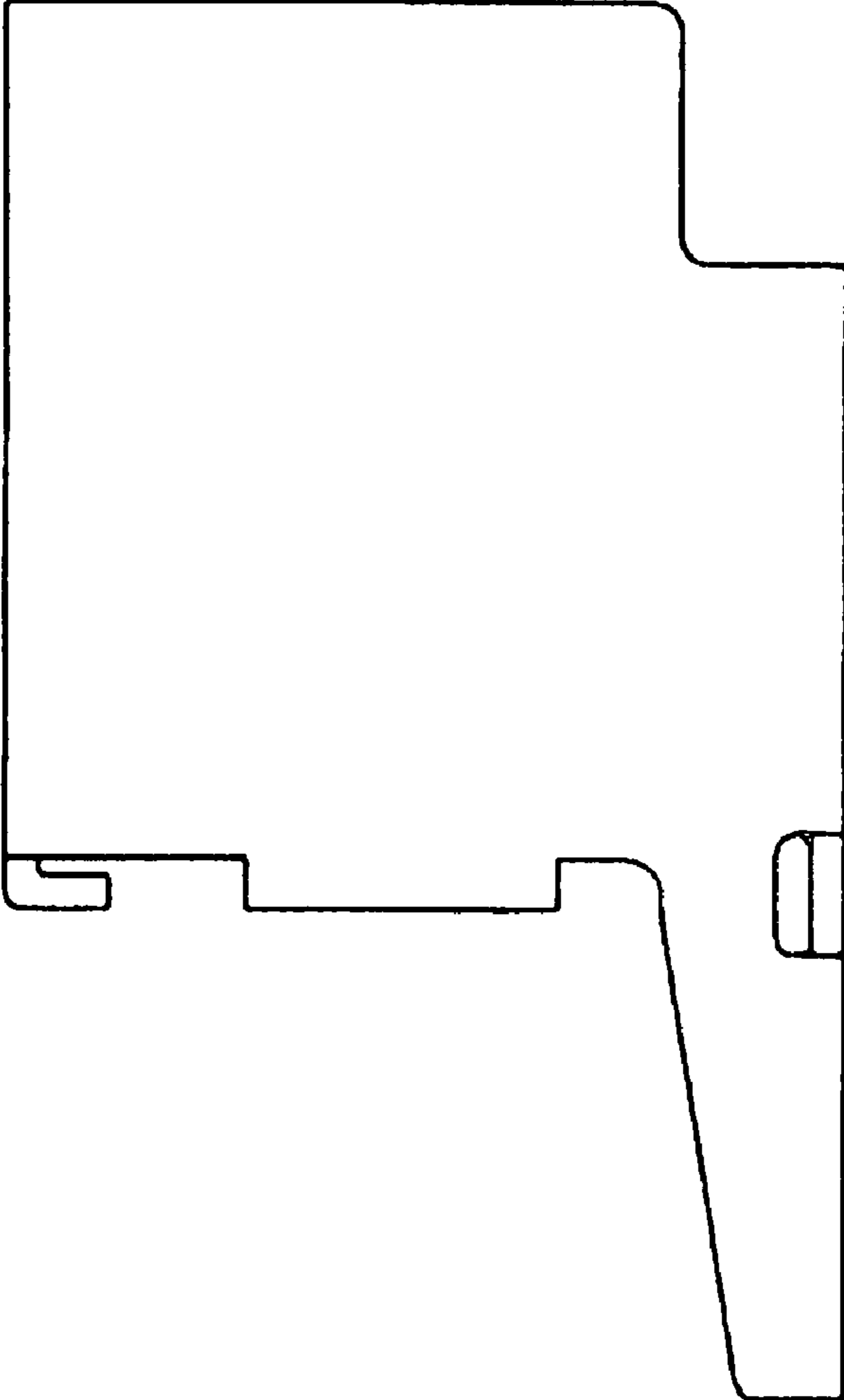


Fig. 4

Fig. 5



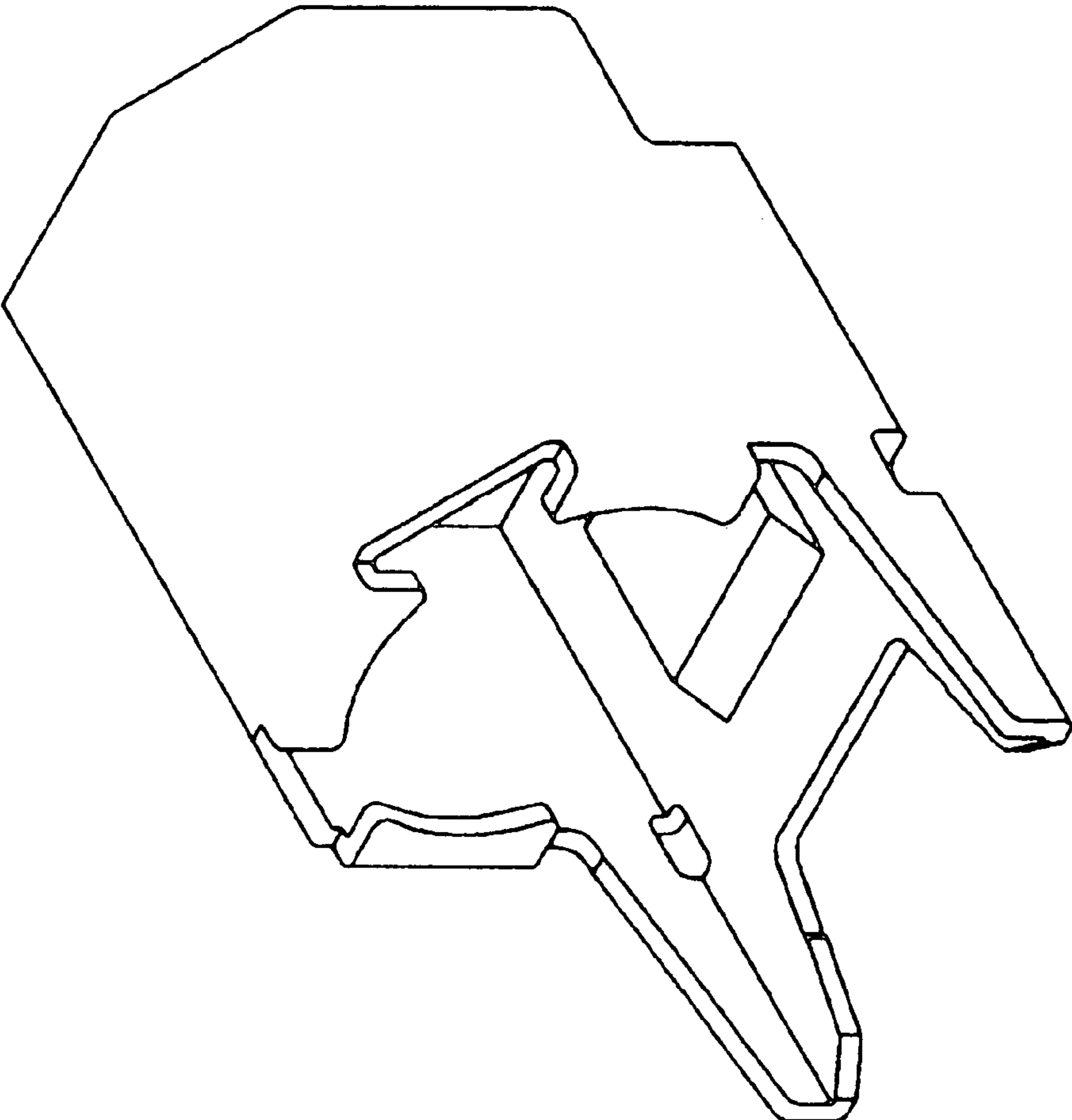


Fig. 6

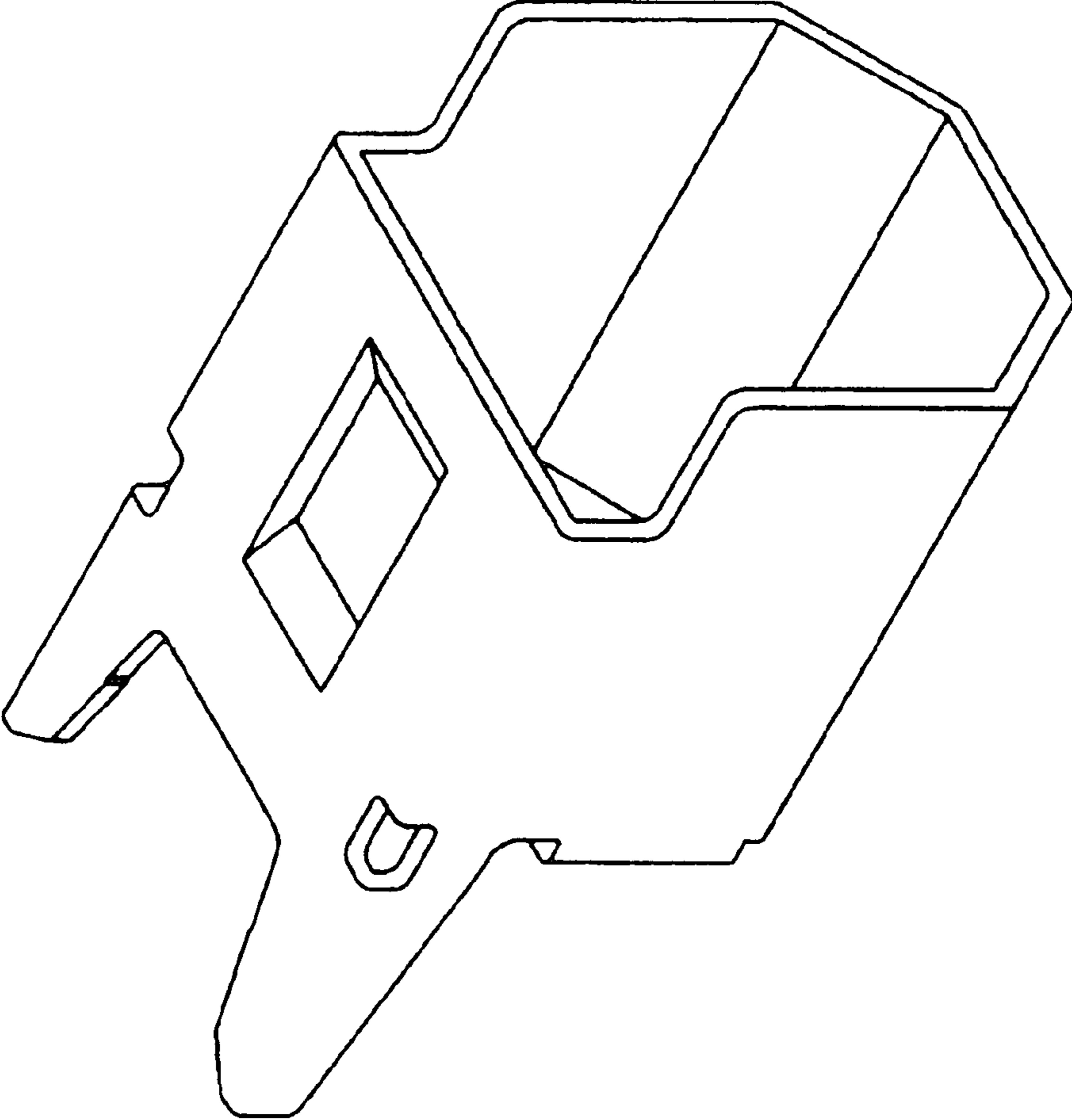


Fig. 7

Fig. 8

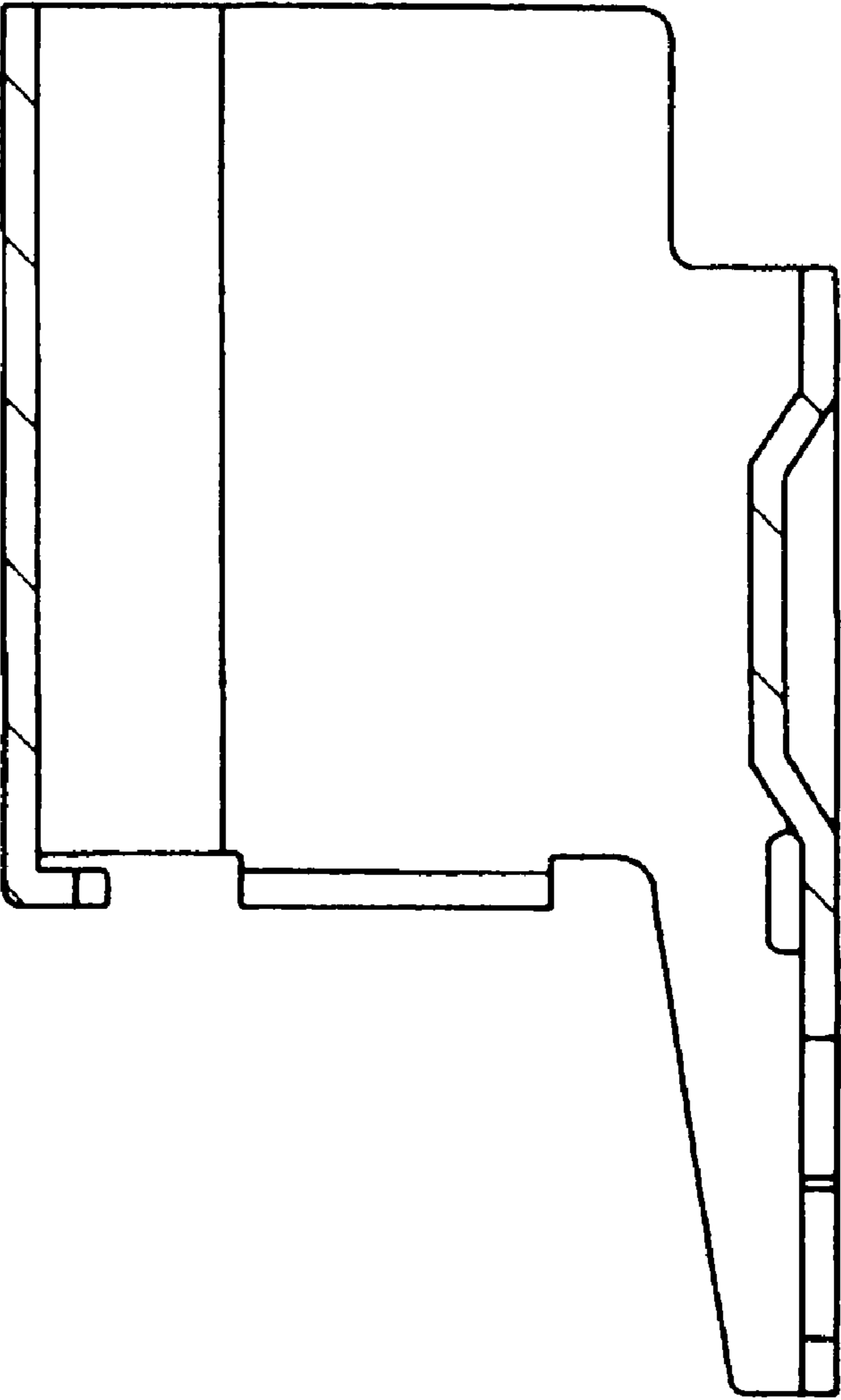
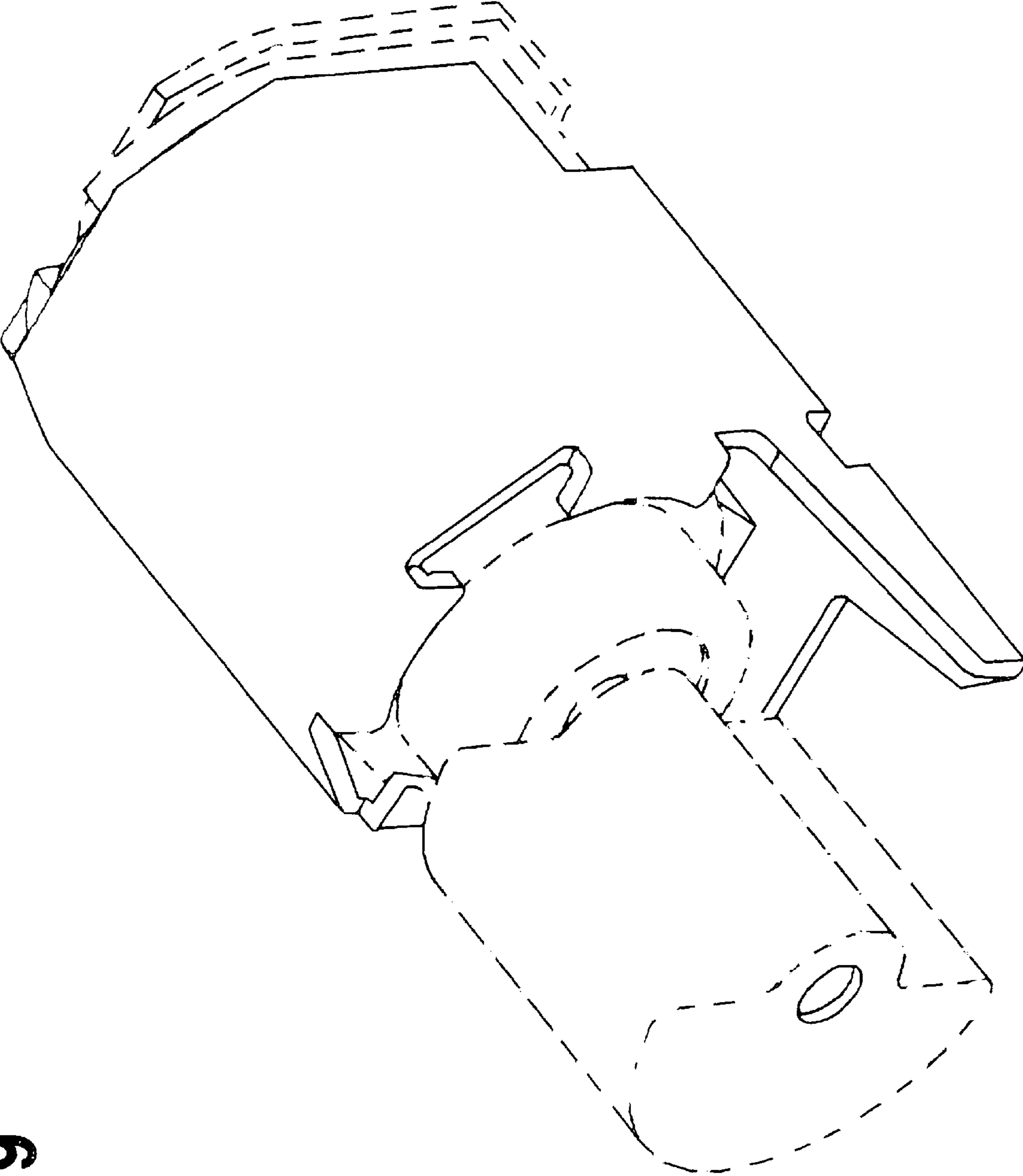


Fig. 9



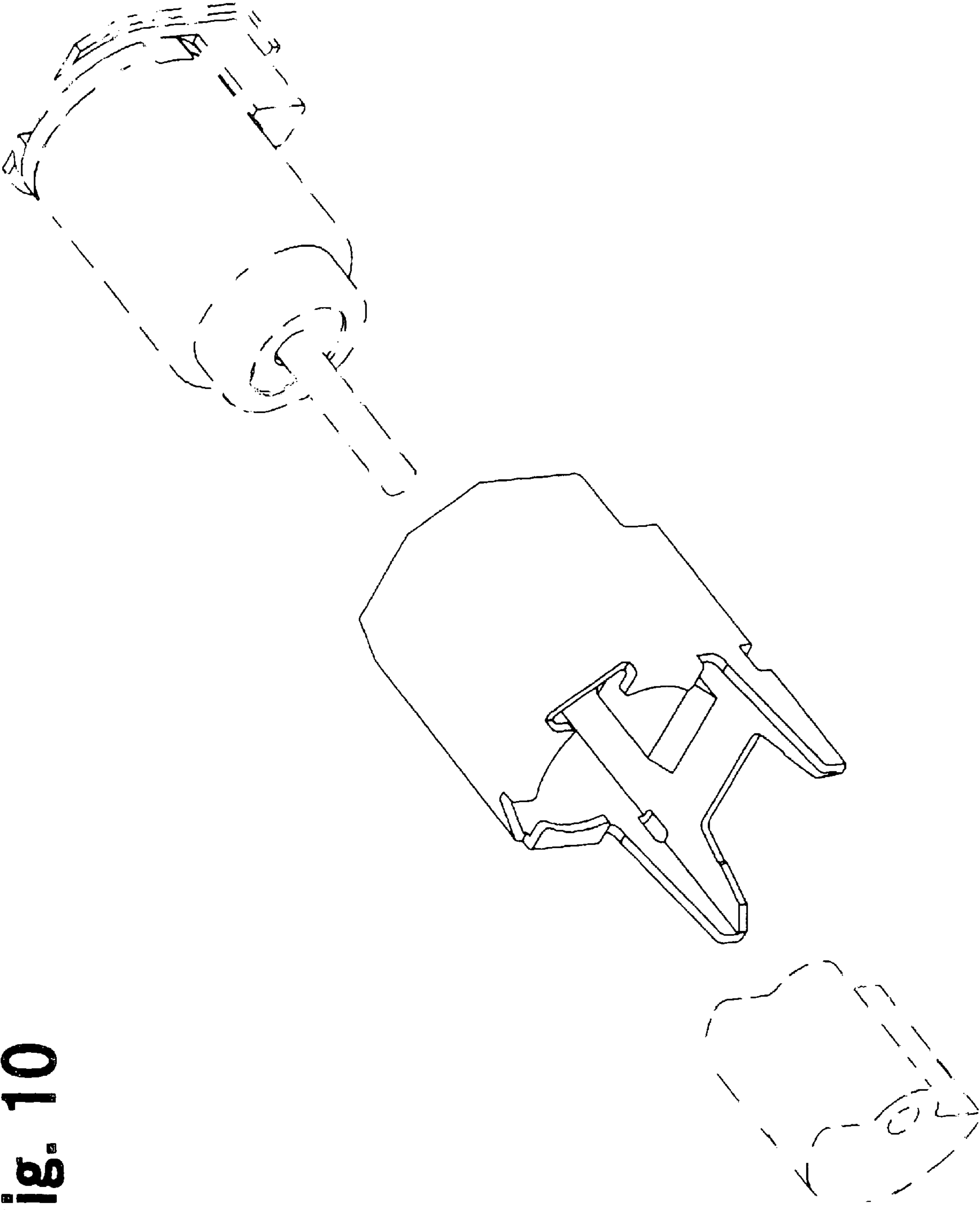


Fig. 10