



US00D603794S

(12) **United States Design Patent**
Charleux

(10) **Patent No.:** **US D603,794 S**

(45) **Date of Patent:** **** Nov. 10, 2009**

(54) **ELECTRIC MOTOR**

(75) Inventor: **Olivier Charleux**, Thyez (FR)

(73) Assignee: **Somfy SAS**, Cluses (FR)

(**) Term: **14 Years**

(21) Appl. No.: **29/335,824**

(22) Filed: **Apr. 22, 2009**

(30) **Foreign Application Priority Data**

Oct. 22, 2008 (EM) 001026249-0001

(51) **LOC (9) Cl.** **13-01**

(52) **U.S. Cl.** **D13/112**

(58) **Field of Classification Search** D13/112,
D13/114, 122, 199; D15/199; 49/140; 310/12,
310/13, 15, 29, 37, 40 R, 89; 318/9, 15
See application file for complete search history.

(56) **References Cited**

U.S. PATENT DOCUMENTS

D372,457 S * 8/1996 Okuyama et al. D13/112
D457,493 S * 5/2002 Borges D13/112
D467,950 S * 12/2002 Christensen et al. D15/199
6,979,962 B2 * 12/2005 Cavarec et al. 318/9

D516,506 S * 3/2006 Ichimaru et al. D13/112

D552,031 S * 10/2007 Kono et al. D13/112

D553,079 S * 10/2007 Poulet et al. D13/112

D554,586 S * 11/2007 Vrielink D13/112

* cited by examiner

Primary Examiner—Prabhakar Deshmukh

Assistant Examiner—Derrick Holland

(74) *Attorney, Agent, or Firm*—Frommer Lawrence & Haug
LLP; Ronald R. Santucci

(57) **CLAIM**

The ornamental design for an electric motor, as shown and described.

DESCRIPTION

FIG. 1 is a front elevational view of the electric motor;

FIG. 2 is a top plan view thereof;

FIG. 3 is a bottom plan view thereof;

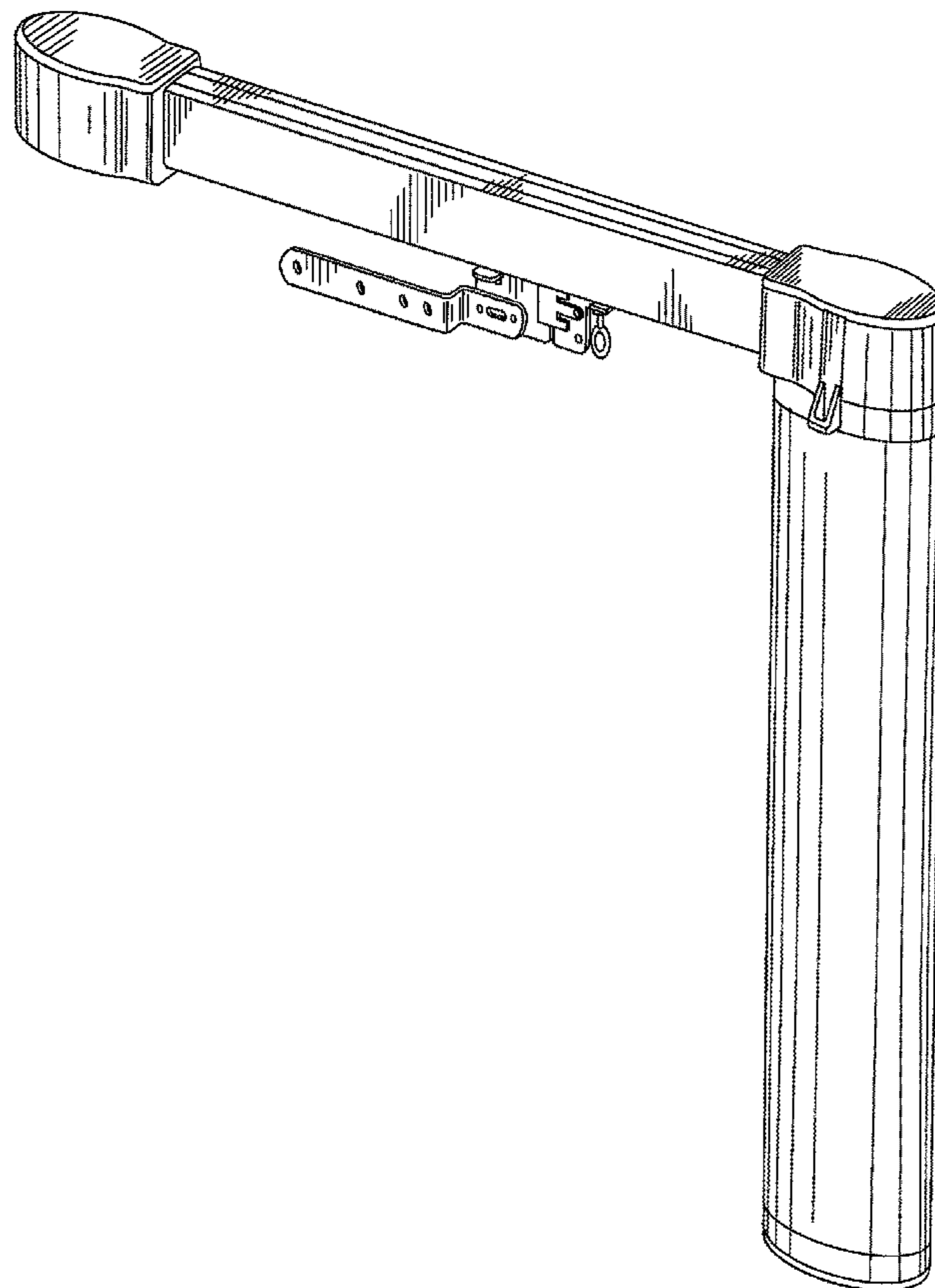
FIG. 4 is a left elevational view thereof,

FIG. 5 is a right elevational view thereof,

FIG. 6 is a rear elevational view thereof; and,

FIG. 7 is a perspective view thereof.

1 Claim, 4 Drawing Sheets



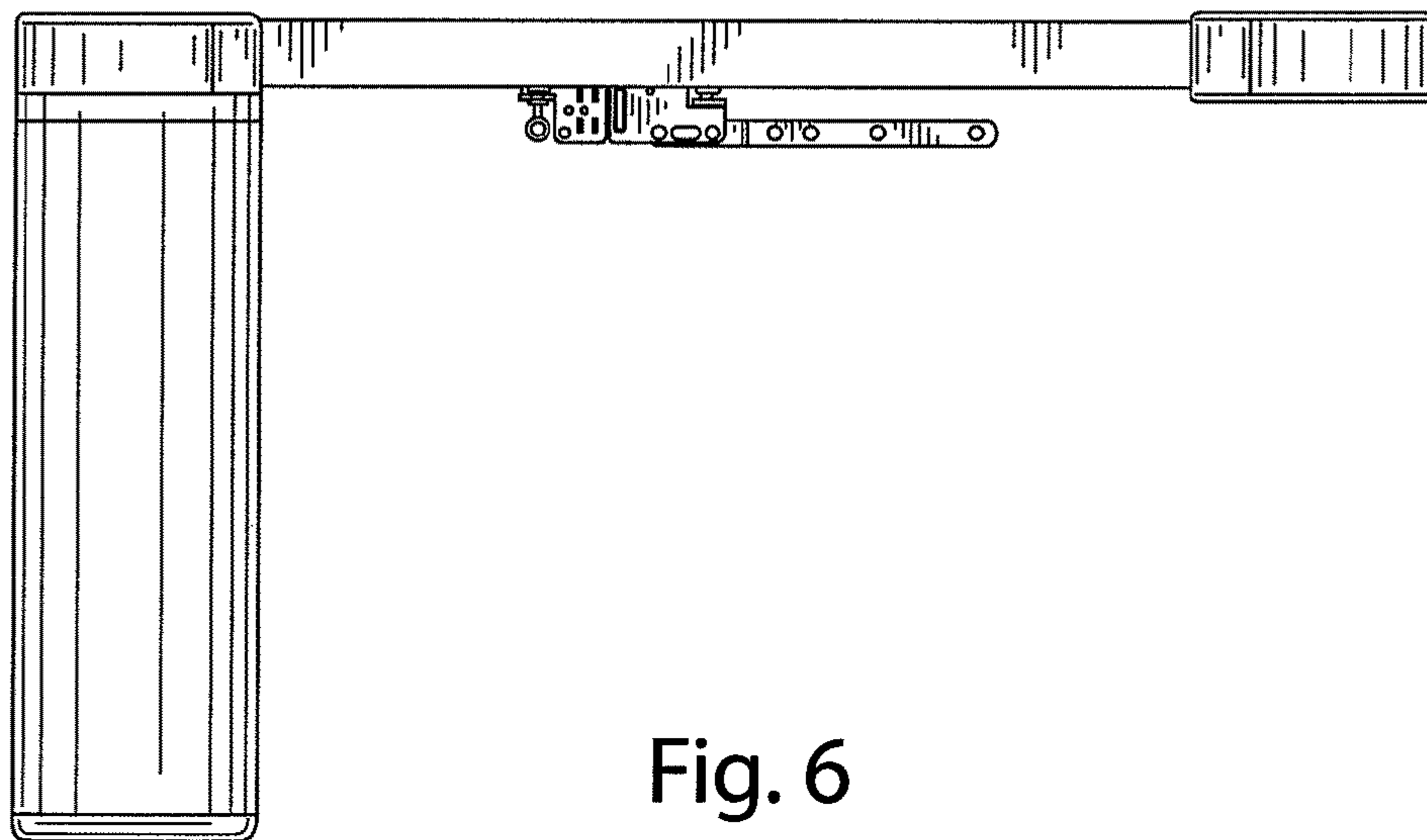
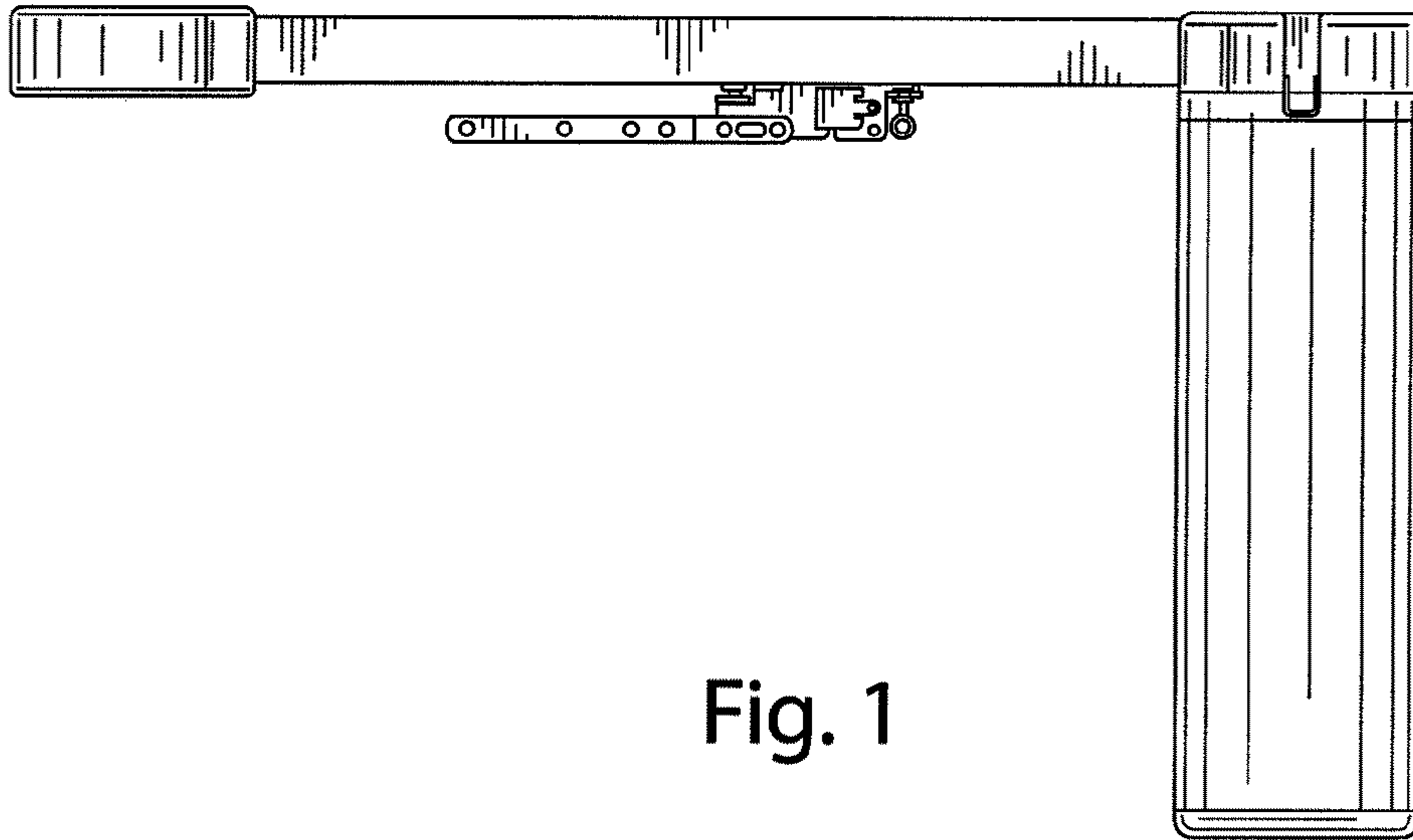


Fig. 2

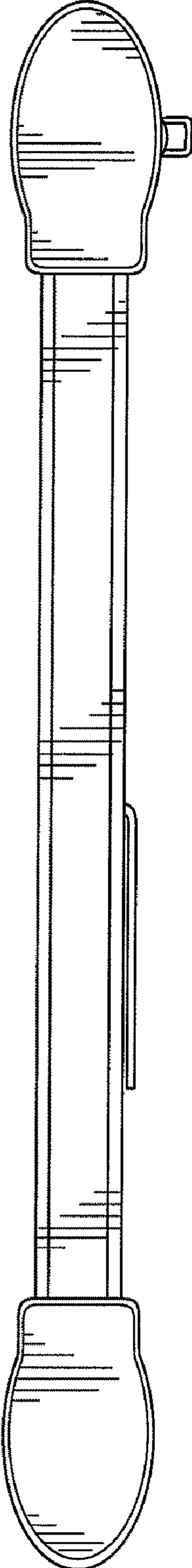
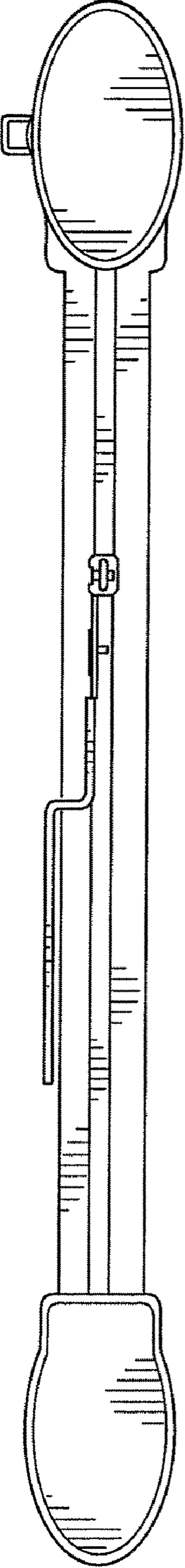


Fig. 3



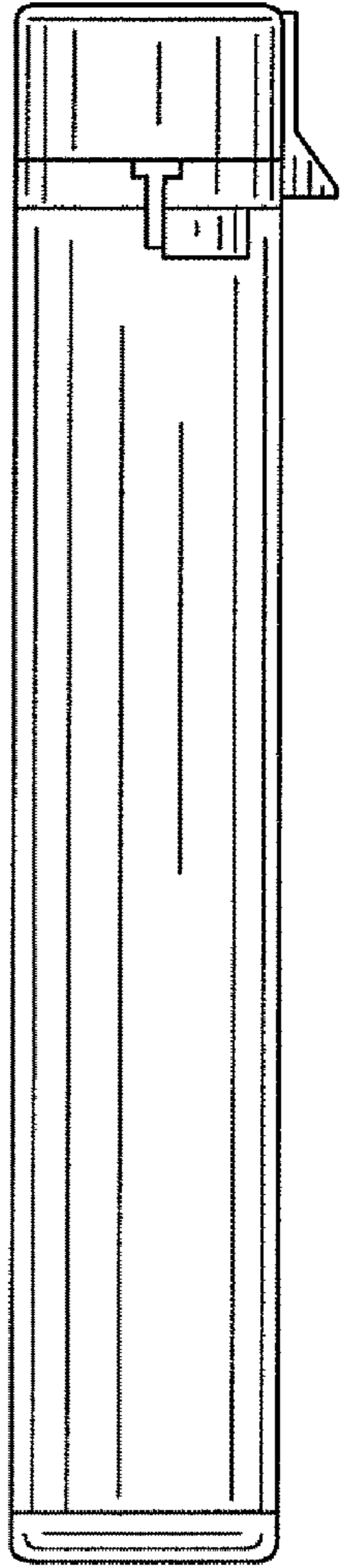


Fig. 4

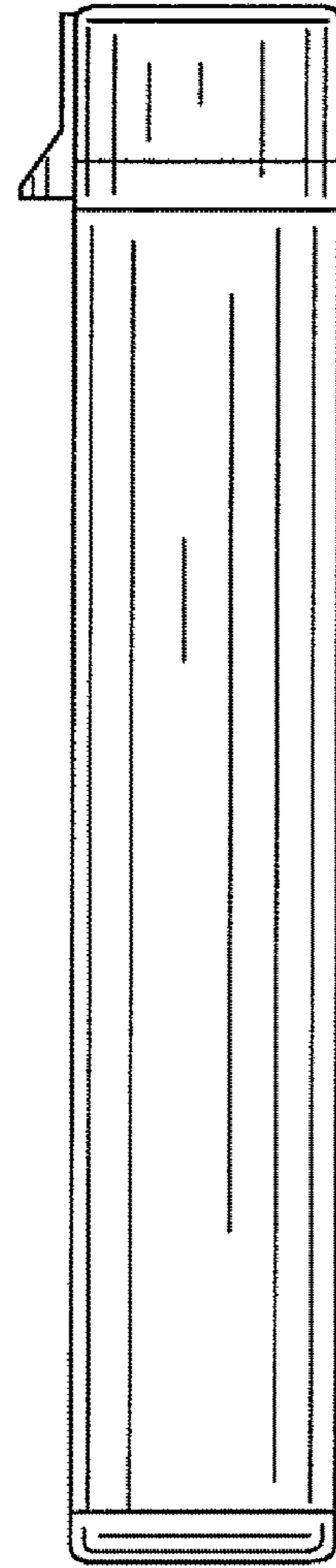


Fig. 5

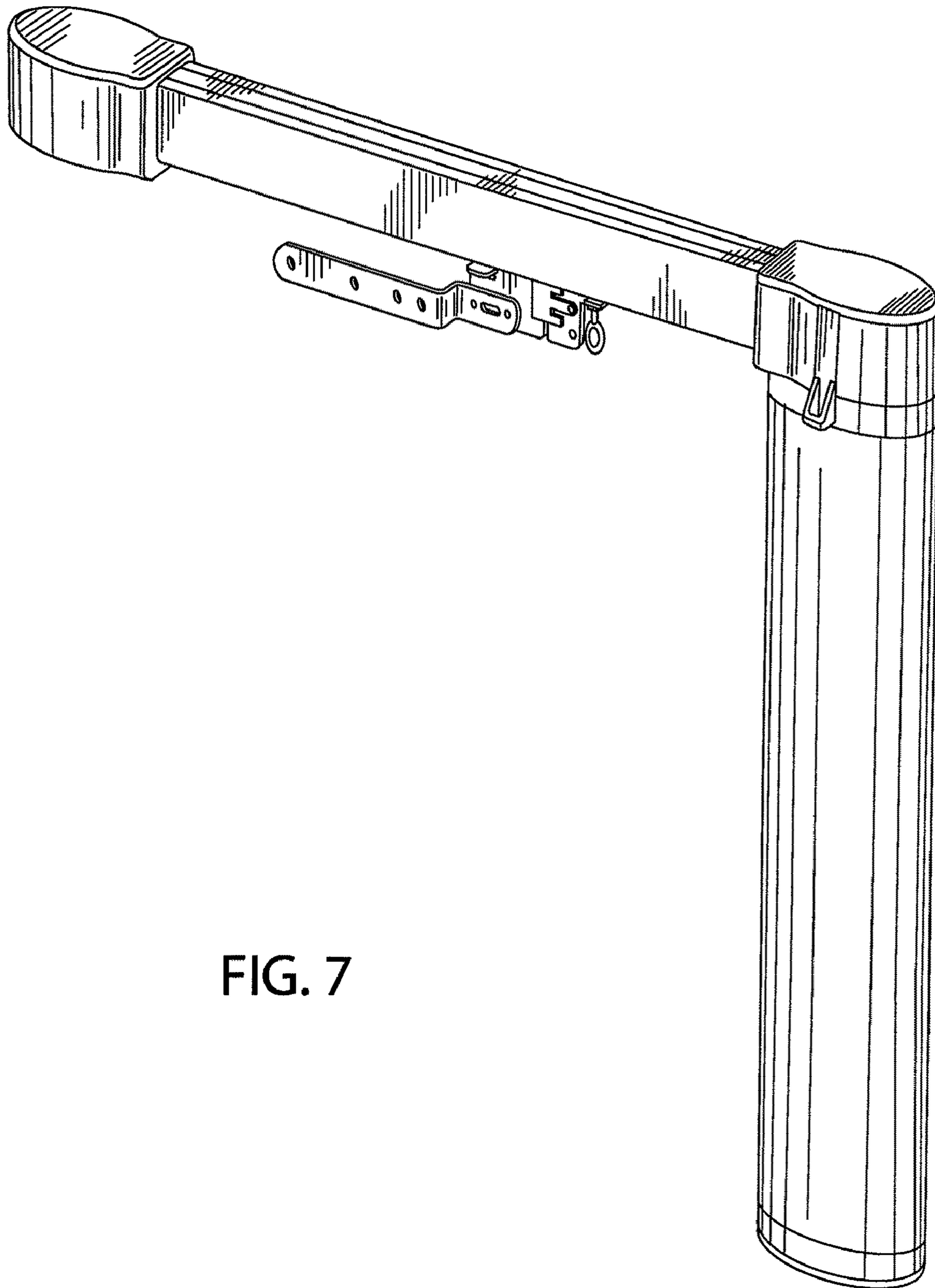


FIG. 7