



US00D603792S

(12) **United States Design Patent**
Ferro

(10) **Patent No.:** **US D603,792 S**

(45) **Date of Patent:** **** Nov. 10, 2009**

(54) **FLASH APPARATUS**

(75) Inventor: **Daniel Ferro**, Gipf-Oberfrick (CH)

(73) Assignee: **Bron Elektronik AG** (CH)

(**) Term: **14 Years**

(21) Appl. No.: **29/322,987**

(22) Filed: **Aug. 15, 2008**

(30) **Foreign Application Priority Data**

May 20, 2008 (CH) 135090

(51) **LOC (9) Cl.** **13-02**

(52) **U.S. Cl.** **D13/110; D3/291; D16/237**

(58) **Field of Classification Search** D16/136,
D16/219, 237, 239–240, 242, 245; D24/111;
348/371–373, 375; 362/3, 16–18; 396/155,
396/171, 180, 182, 189, 317; D13/110, 103,
D13/105, 112, 120; D3/273–274, 276, 267–269,
D3/291; 206/372–373

See application file for complete search history.

(56) **References Cited**

U.S. PATENT DOCUMENTS

D135,215 S *	3/1943	Patche	D13/110
D184,563 S *	9/1959	Ferman	D16/239
D195,378 S *	6/1963	Monson	D16/240
D219,396 S *	12/1970	Bodkins	D26/124
D270,915 S *	10/1983	Fohl	D16/239
D300,132 S *	3/1989	Culbertson et al.	D13/103
D304,026 S *	10/1989	Goodner et al.	D13/103

D361,616 S *	8/1995	Tsuji	D24/111
D386,903 S *	12/1997	Curry et al.	D3/282
D444,125 S *	6/2001	Shy	D13/110
D495,994 S *	9/2004	Arakelian	D13/119
D527,522 S *	9/2006	Kammerer	D3/291
D588,810 S *	3/2009	Rowlett et al.	D3/291
2004/0100793 A1 *	5/2004	Monitto	362/153.1

* cited by examiner

Primary Examiner—Ian Simmons

Assistant Examiner—Wan Laymon

(74) *Attorney, Agent, or Firm*—Baker & McKenzie LLP;
David I. Roche

(57) **CLAIM**

The ornamental design for a flash apparatus, as shown and described above.

DESCRIPTION

FIG. 1 is a perspective view showing my new design;

FIG. 2 is a top view thereof;

FIG. 3 is a front elevational view thereof;

FIG. 4 is a first side elevational view thereof;

FIG. 5 is a second side elevational view thereof;

FIG. 6 is a rear elevational view thereof; and,

FIG. 7 is a bottom view thereof.

The broken lines represent portion of the flash apparatus is included for illustrative purposes only and form no part of the claimed design.

1 Claim, 4 Drawing Sheets

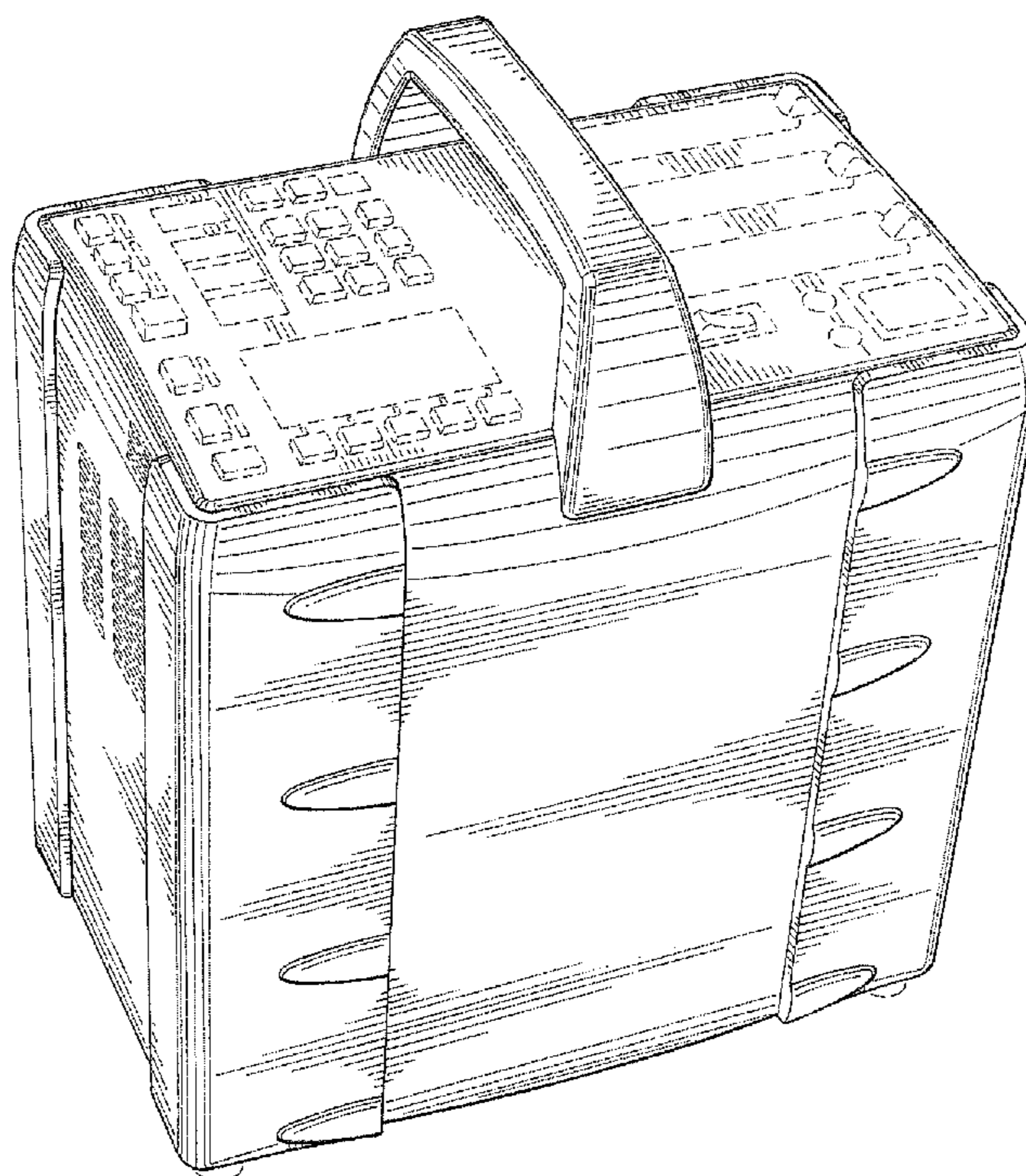


FIG. 1

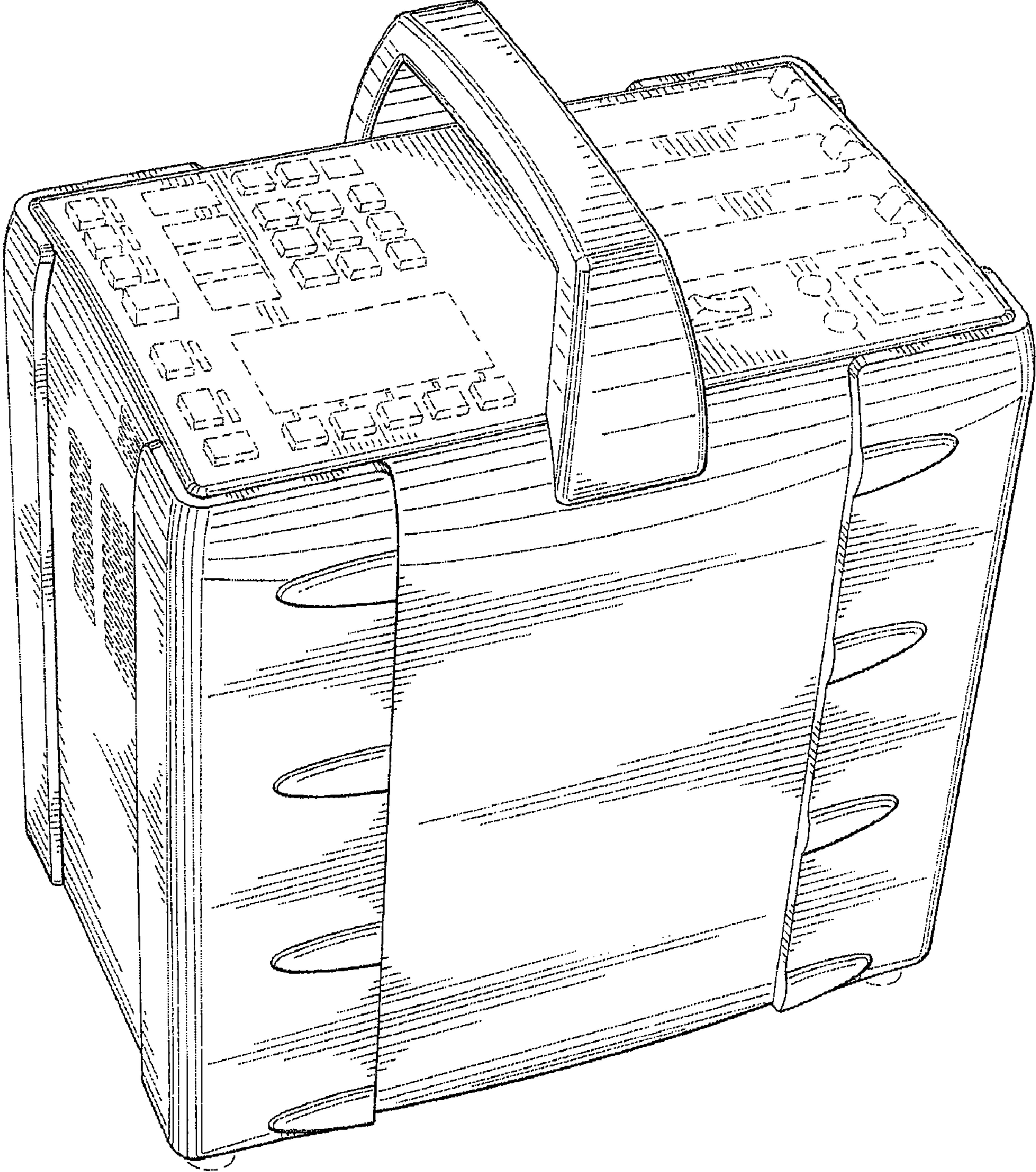


FIG. 2

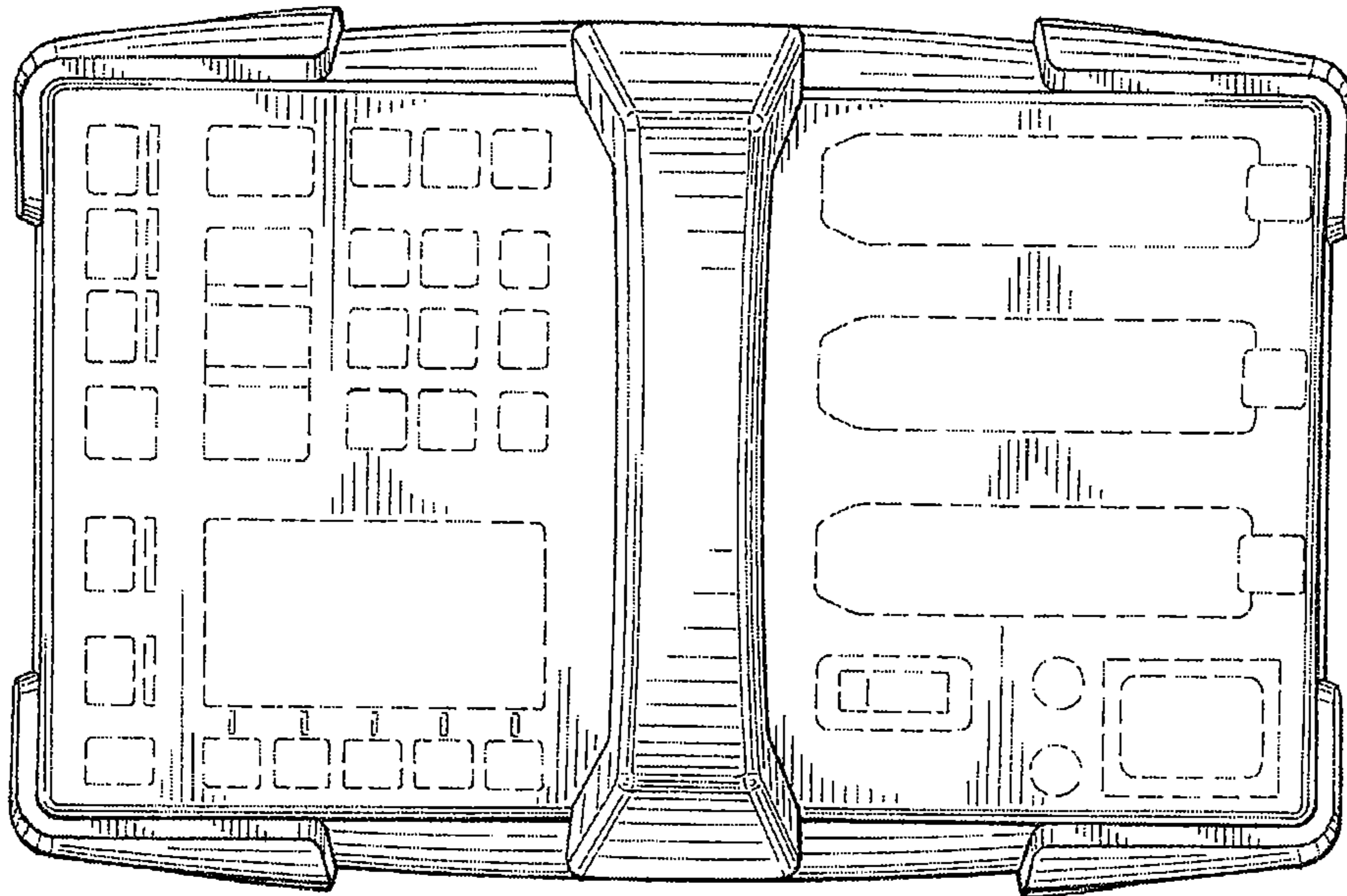
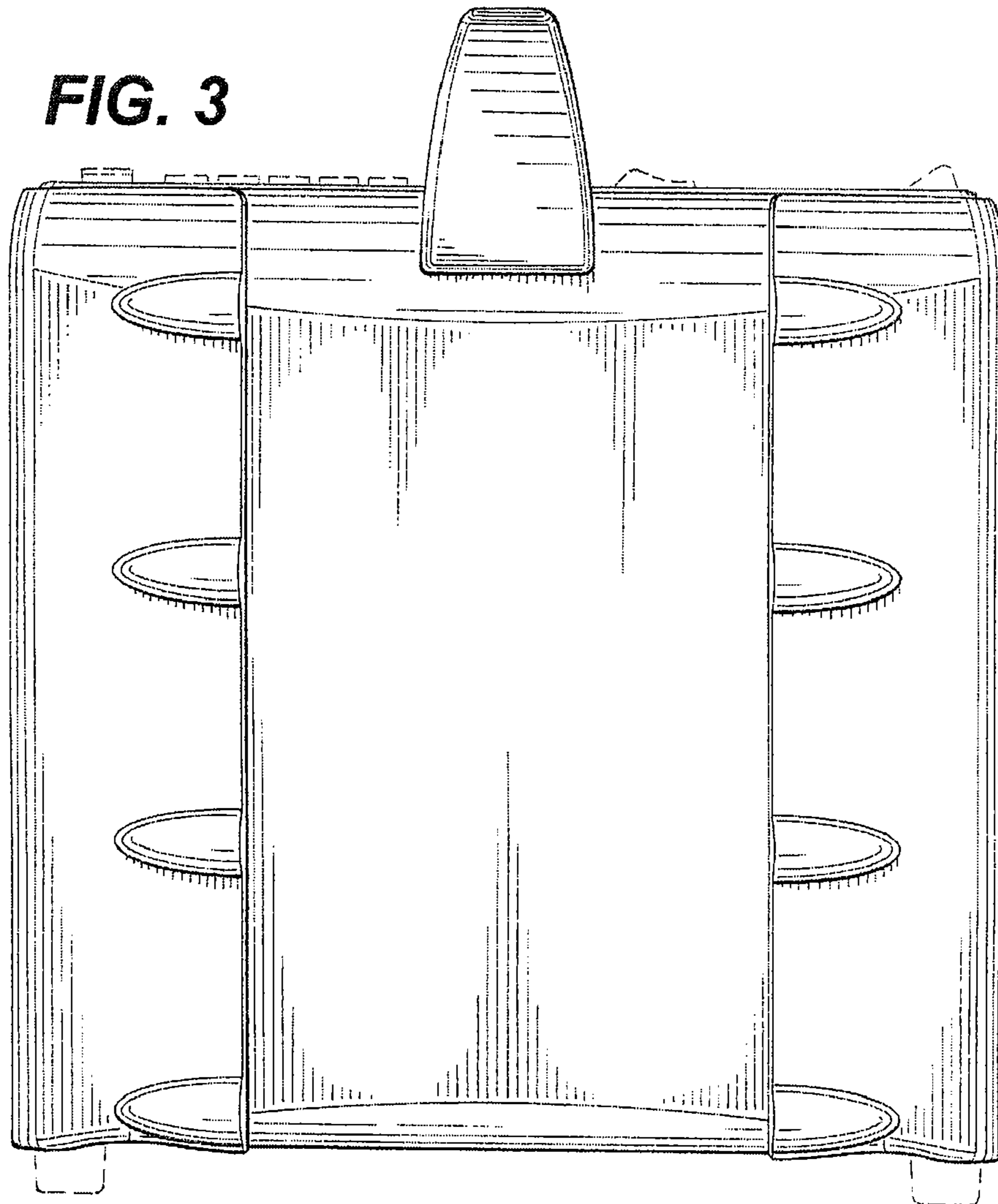


FIG. 3



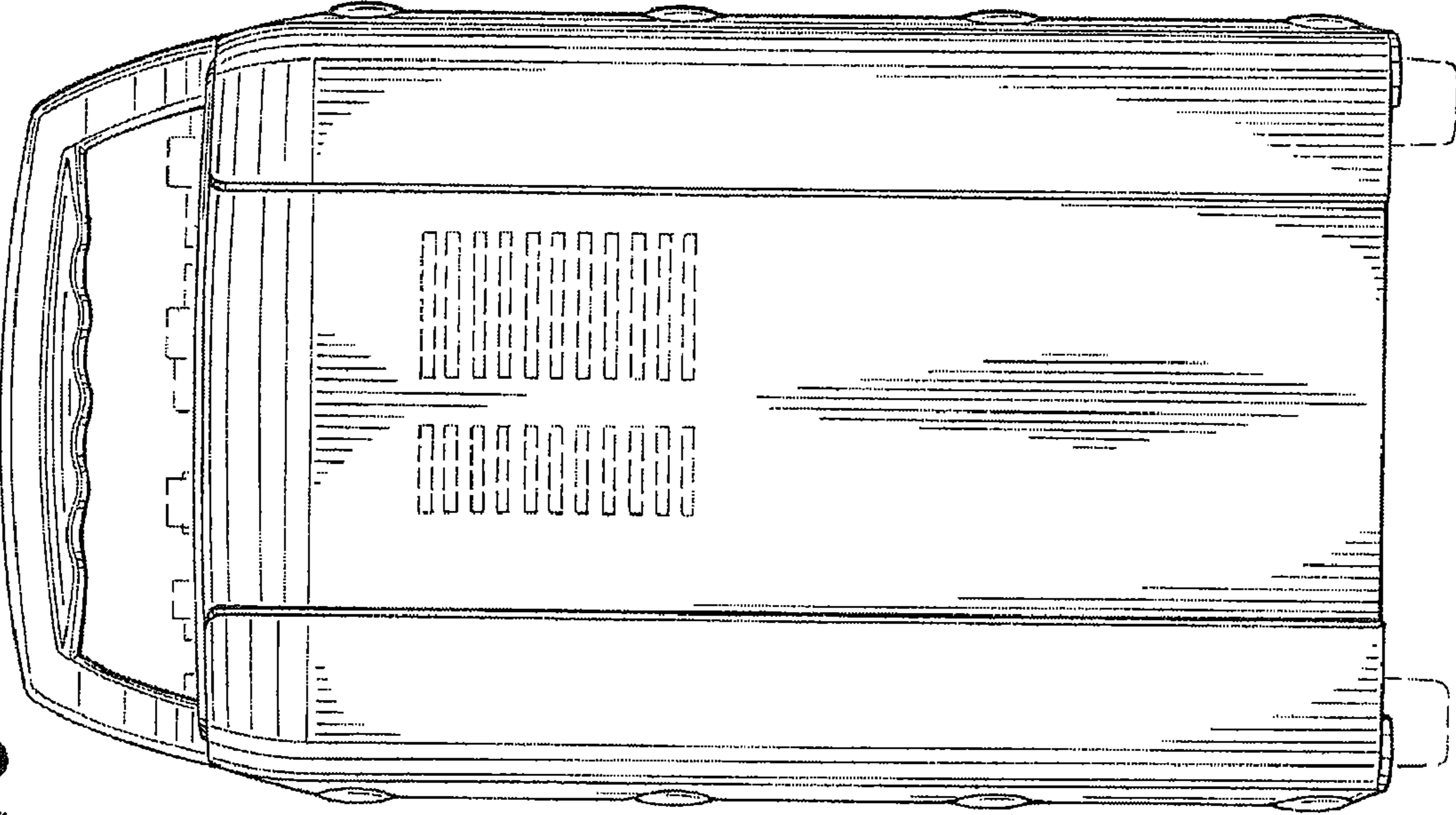


FIG. 5

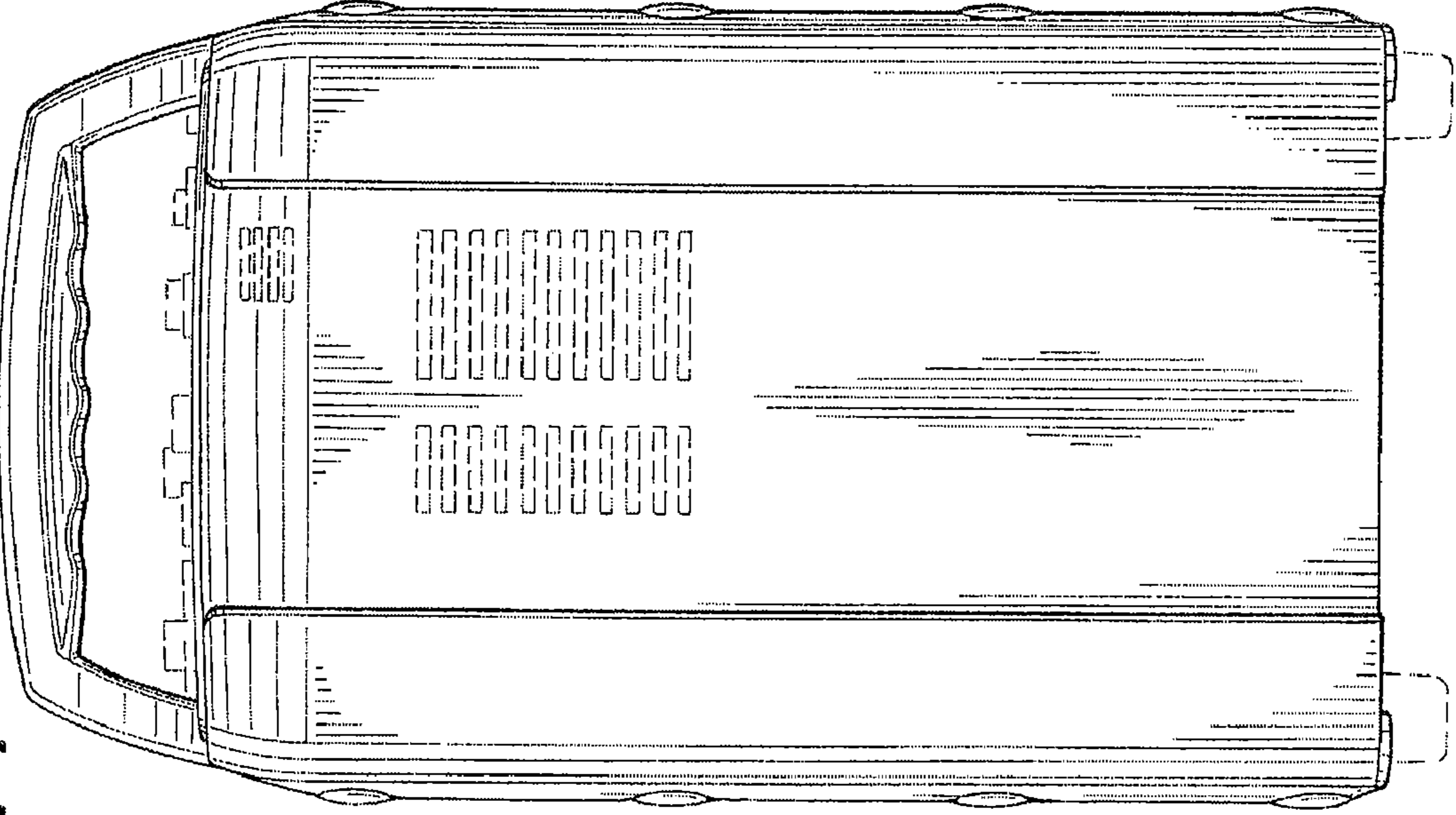


FIG. 4

FIG. 6

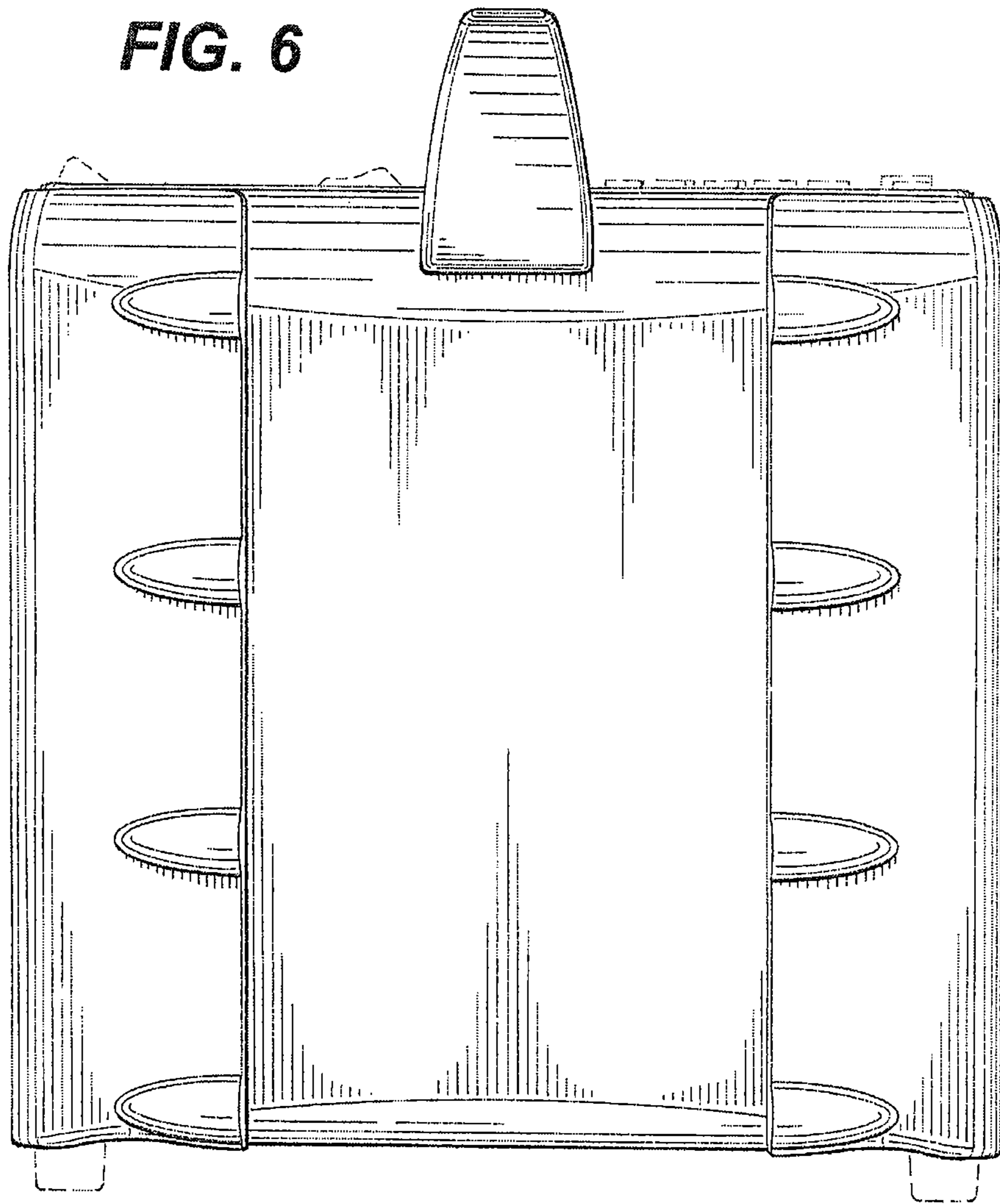


FIG. 7

